



US00D842640S

(12) **United States Design Patent**  
**Iori**

(10) **Patent No.:** **US D842,640 S**  
(45) **Date of Patent:** **\*\* Mar. 12, 2019**

- (54) **COOKING APPLIANCE** 3,377,942 A \* 4/1968 Carbon ..... A47J 37/0611  
16/361
- (71) Applicant: **TECHFOOD S.N.C. DI IORI** 3,799,047 A \* 3/1974 Freeman ..... A47J 37/0611  
**ANGELO E CASTAGNETTI** 99/332  
**PAOLA**, Castelnovo di Sotto (IT) D262,425 S \* 12/1981 Thelander ..... D7/357  
D262,430 S \* 12/1981 Thelander ..... D7/357
- (72) Inventor: **Angelo Iori**, Reggio Emilia (IT) D276,208 S \* 11/1984 LaDuca ..... D7/352  
5,636,564 A \* 6/1997 Weiss ..... A47J 37/0611  
219/441
- (73) Assignee: **Techfood S.N.C. di Iori Angelo e** D551,896 S \* 10/2007 Misceo ..... D7/323  
**Castagnetti Paola** (IT) D648,594 S \* 11/2011 Bray ..... D7/352  
D751,342 S \* 3/2016 Steeb ..... D7/352  
D805,834 S \* 12/2017 Vela de Pleitez ..... D7/352
- (\*\*) Term: **15 Years**

\* cited by examiner

(21) Appl. No.: **29/610,682**

(22) Filed: **Jul. 14, 2017**

(30) **Foreign Application Priority Data**

Jan. 20, 2017 (EM) ..... 001456057-0001

(51) **LOC (11) Cl.** ..... **07-02**

(52) **U.S. Cl.**  
USPC ..... **D7/352**; D7/357; D7/410

(58) **Field of Classification Search**  
USPC ..... D7/323, 328-330, 337, 347, 352-364,  
D7/367, 402, 409-411

CPC . A21B 5/023; A47J 27/60; A47J 27/62; A47J  
36/36; A47J 37/04; A47J 37/06; A47J  
37/067; A47J 37/0605; A47J 37/0611;  
A47J 37/0623; A47J 37/0629; A47J  
37/0676; A47J 37/105; A47J 2037/06;  
A47J 2037/0611; B01D 46/10; F24C  
15/10; F24C 15/102; H05B 6/02; H05B  
6/062

See application file for complete search history.

(56) **References Cited**

**U.S. PATENT DOCUMENTS**

- D134,457 S \* 12/1942 Raiser ..... D7/353
- 2,743,665 A \* 5/1956 Gustafson ..... A47J 37/0611  
99/331

*Primary Examiner* — Ricky Pham

(74) *Attorney, Agent, or Firm* — Laubscher & Laubscher,  
P.C.

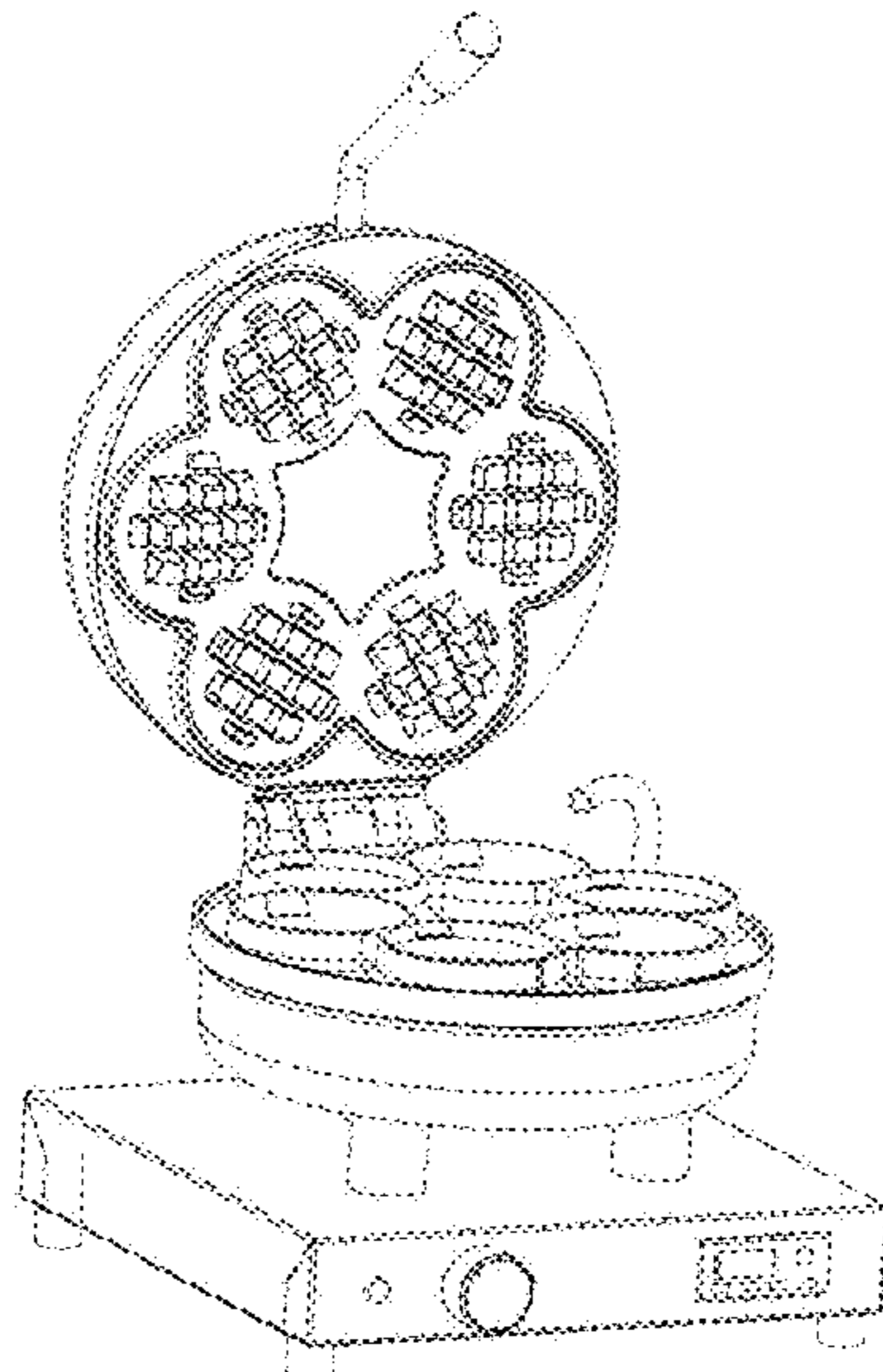
(57) **CLAIM**

The ornamental design for cooking appliance, as shown.

**DESCRIPTION**

FIG. 1 is a front perspective view of a cooking appliance in an open condition according to my new design;  
 FIG. 2 is a front elevation view thereof;  
 FIG. 3 is a top plan view thereof;  
 FIG. 4 is a left side elevation view thereof;  
 FIG. 5 is a rear elevation view thereof;  
 FIG. 6 is an enlarged top perspective view of an inner surface of an upper plate of the cooking appliance of FIG. 1; and,  
 FIG. 7 is an enlarged top perspective view of an inner surface of a lower plate of the cooking applicant of FIG. 1. The features shown in broken lines are for illustrative purposes only and form no part of the claimed design.

**1 Claim, 7 Drawing Sheets**



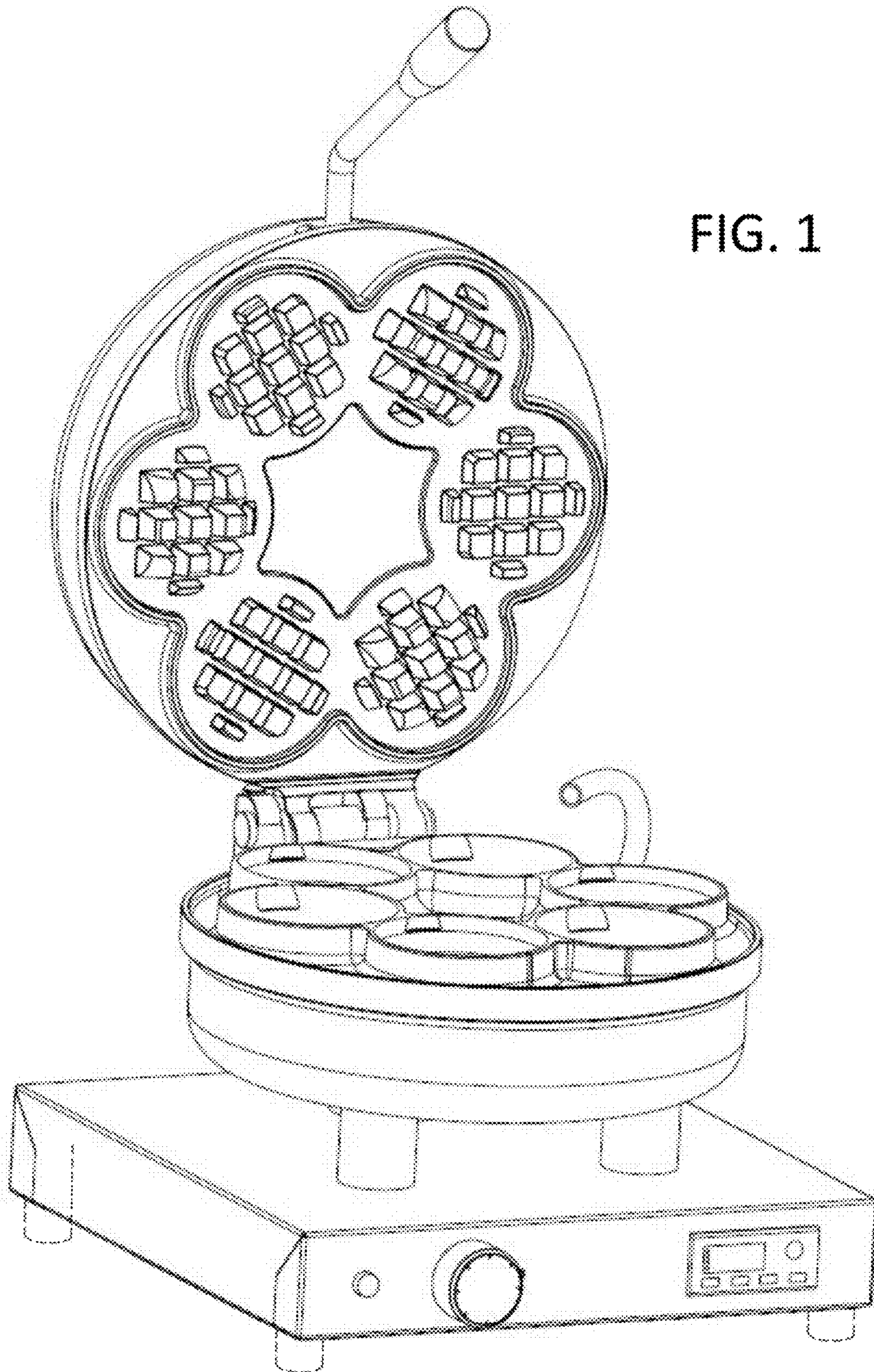


FIG. 1

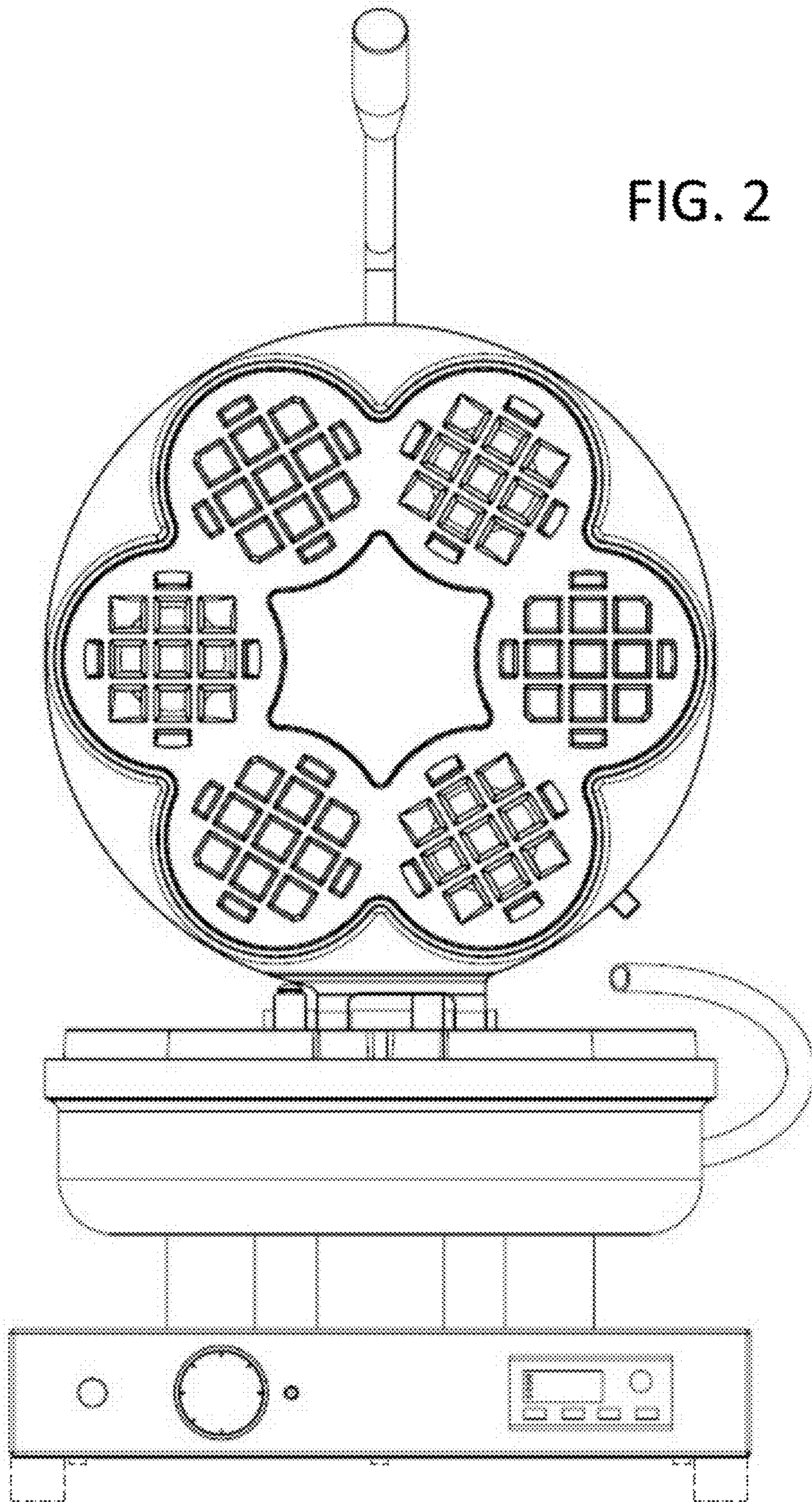
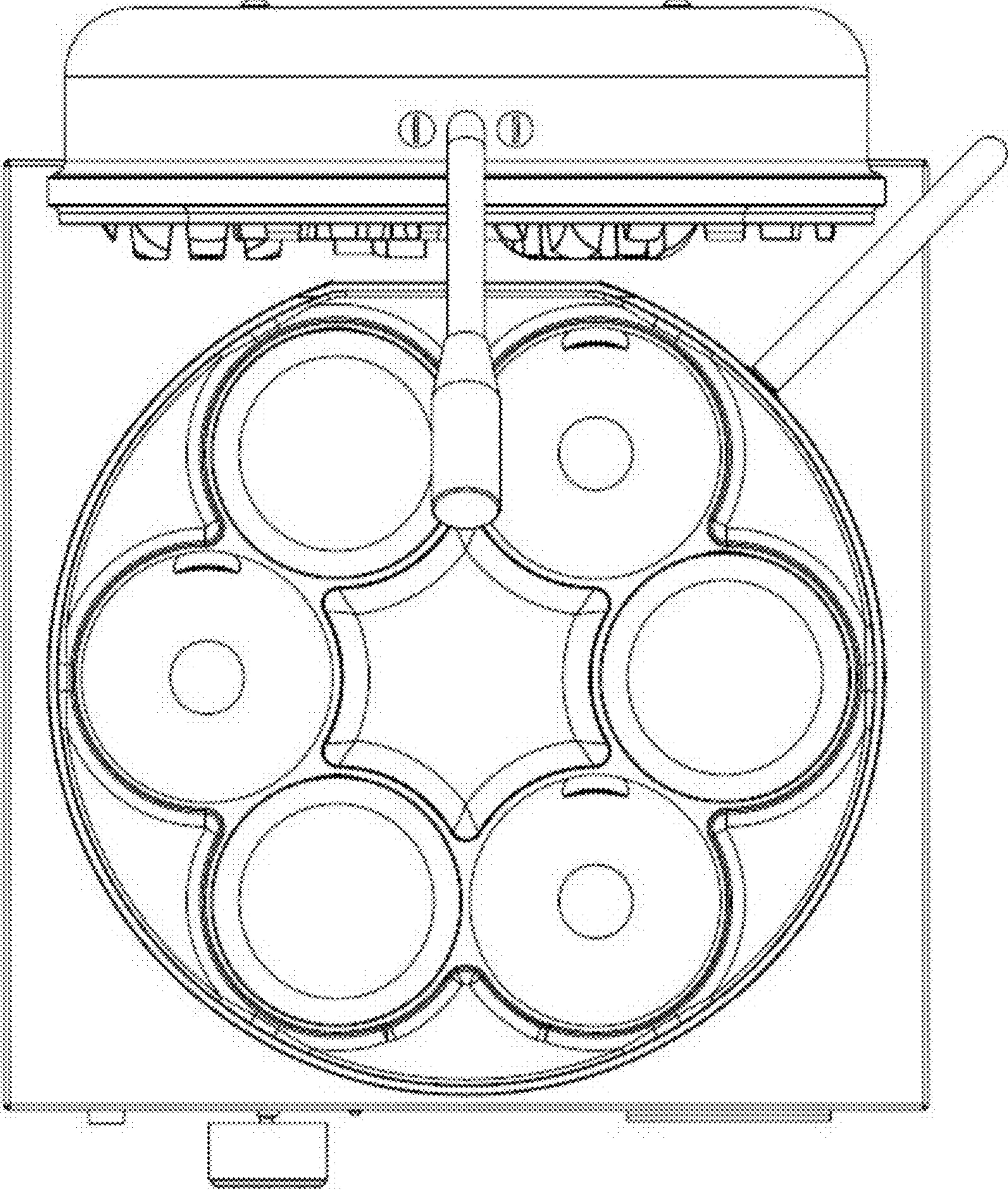
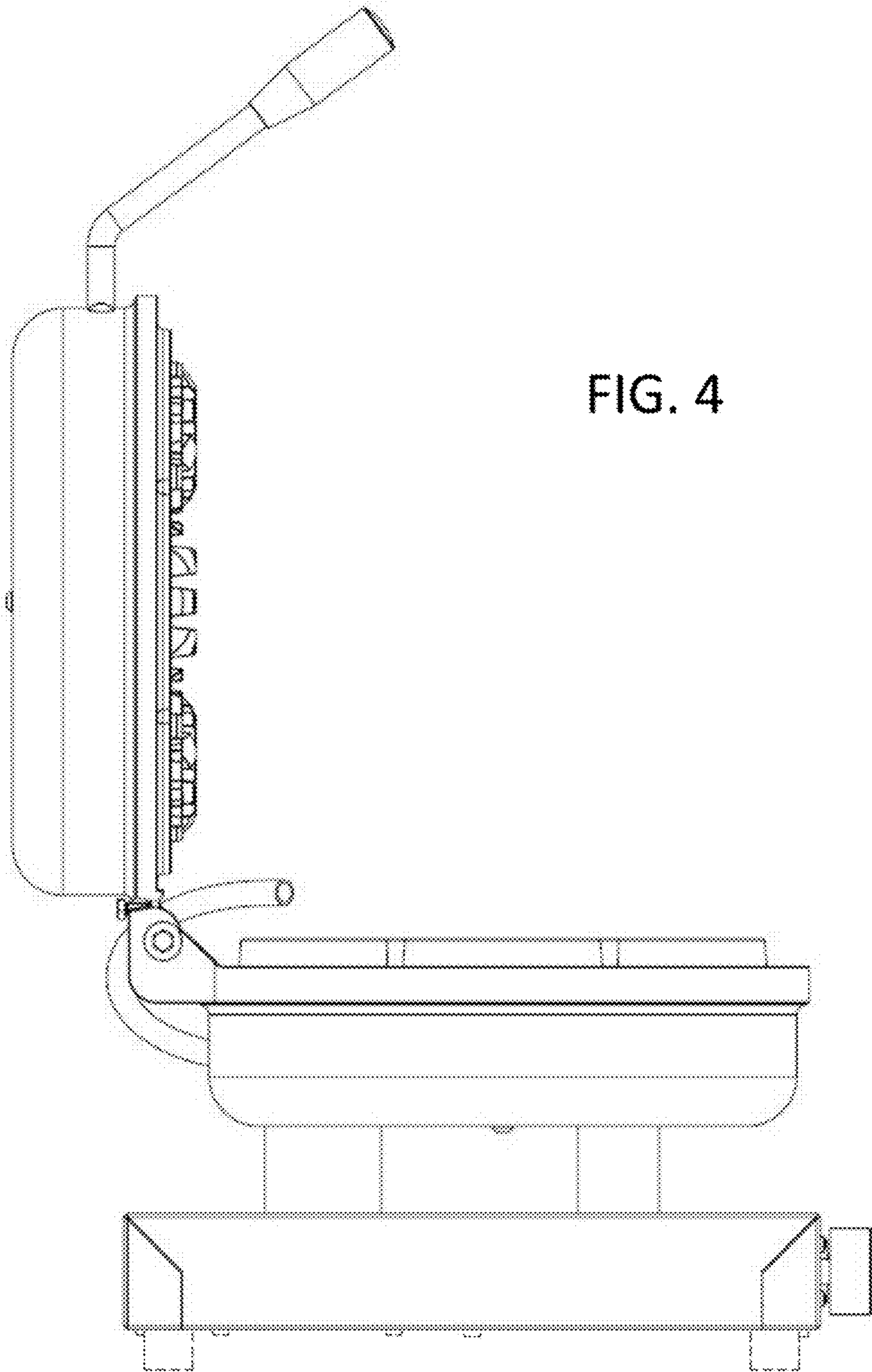


FIG. 3





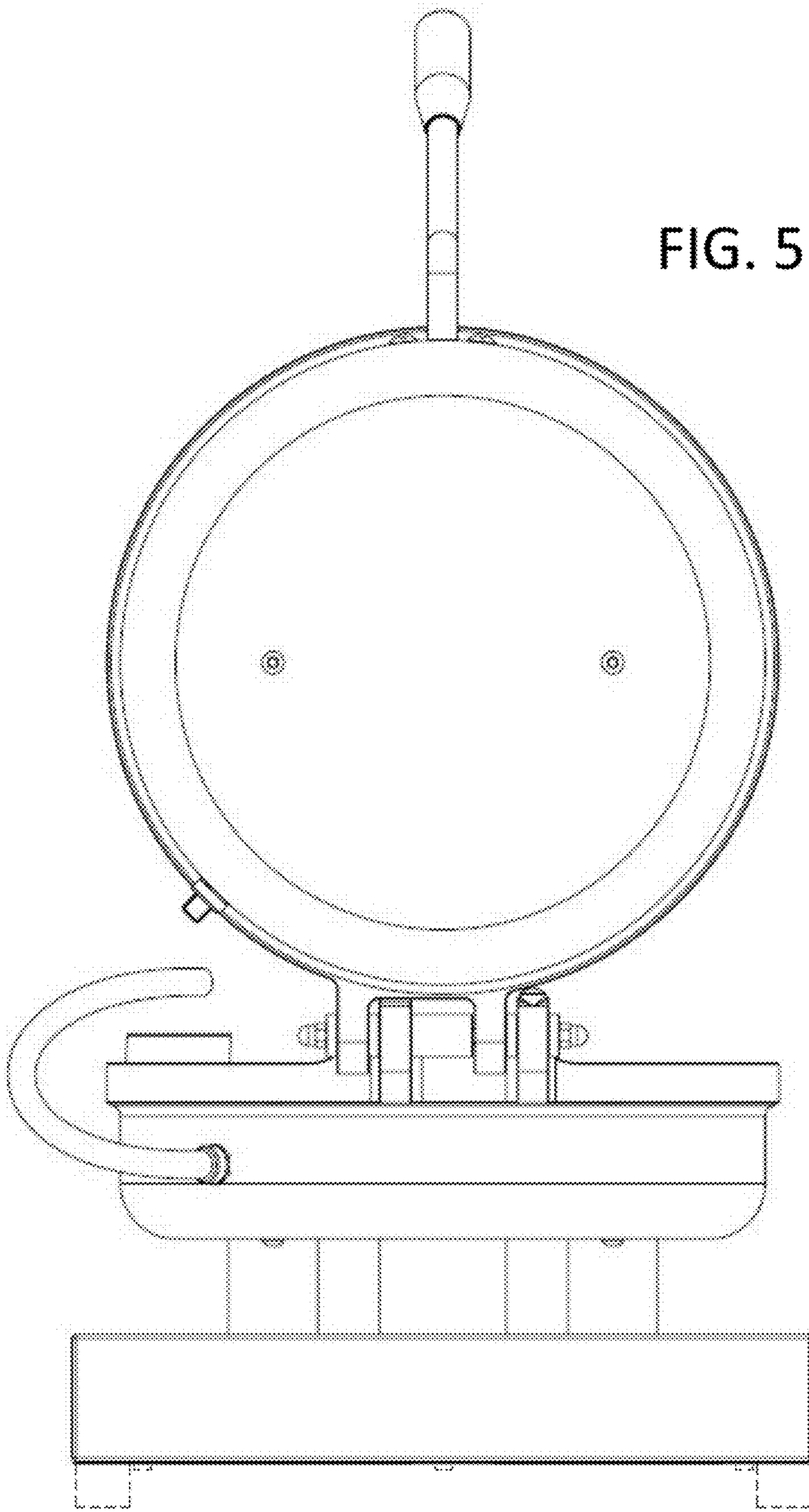


FIG. 6

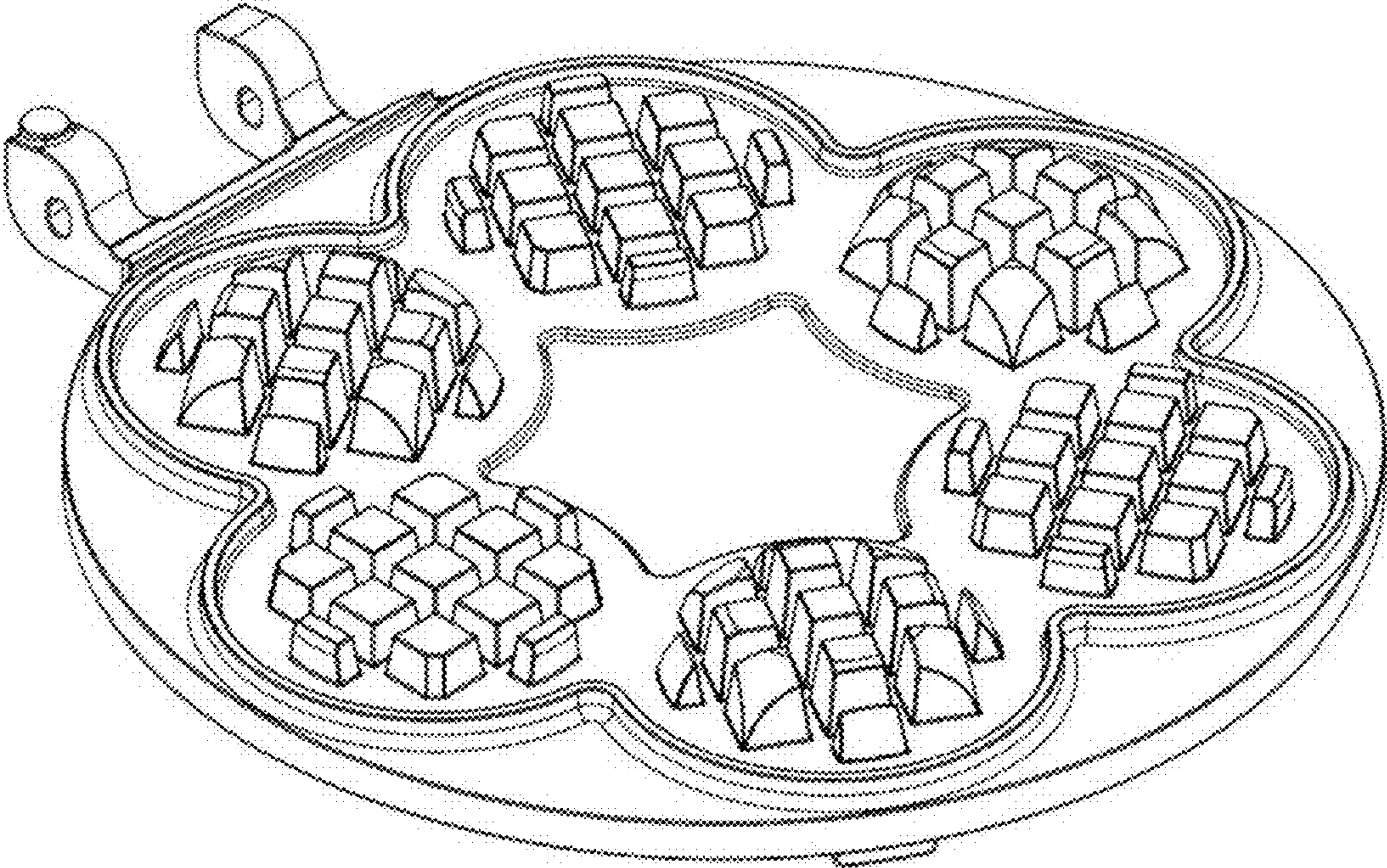


FIG. 7

