



US00D842639S

(12) **United States Design Patent**  
**Yuan**

(10) **Patent No.:** **US D842,639 S**  
(45) **Date of Patent:** **\*\* Mar. 12, 2019**

(54) **COMPACT OVEN**

(71) Applicants: **GUANGDONG MIDEA KITCHEN APPLIANCES MANUFACTURING CO., LTD.**, Foshan (CN); **MIDEA GROUP CO., LTD.**, Foshan (CN)

(72) Inventor: **Jinjiang Yuan**, Foshan (CN)

(73) Assignees: **GUANGDONG MIDEA KITCHEN APPLIANCES MANUFACTURING CO., LTD.**, Foshan (CN); **MIDEA GROUP CO., LTD.**, Foshan (CN)

(\*\*) Term: **15 Years**

(21) Appl. No.: **29/598,807**

(22) Filed: **Mar. 29, 2017**

(51) **LOC (11) Cl.** ..... **07-02**

(52) **U.S. Cl.**  
USPC ..... **D7/350.1**

(58) **Field of Classification Search**  
USPC ..... D7/323, 339, 340, 341, 347, 348, 349, D7/351, 350.1, 350.2, 350.3, 350.4, 402, D7/403, 405  
CPC .. A21B 2/00; A21B 3/02; F24C 15/02; H05B 1/0263; H05B 2206/044; H05B 6/763; H05B 6/76; H05B 6/802; H05B 6/808; H05B 6/64

See application file for complete search history.

(56) **References Cited**

**U.S. PATENT DOCUMENTS**

- D476,846 S \* 7/2003 Piret ..... D7/351
- D489,934 S \* 5/2004 Sagawa ..... D7/351
- D587,959 S \* 3/2009 Hensel ..... D7/350.1
- D602,306 S \* 10/2009 Lavy ..... D7/350.1
- D629,639 S \* 12/2010 Fernandez ..... D7/350.1
- D638,249 S \* 5/2011 Ryan ..... D7/350.1
- D639,104 S \* 6/2011 Duncan ..... D7/350.1
- D655,125 S \* 3/2012 Turner ..... D7/328
- D658,439 S \* 5/2012 Curtis ..... D7/405

- D663,156 S \* 7/2012 Curtis ..... D7/350.1
- D678,711 S \* 3/2013 Reiner ..... D7/350.1
- D708,005 S \* 7/2014 Kurt ..... D7/350.4
- D717,579 S \* 11/2014 Gregory ..... D7/350.4

**FOREIGN PATENT DOCUMENTS**

- KR 300857557.0000 \* 6/2016
- WO WO 2009127001 A1 \* 10/2009 ..... F24C 15/12

**OTHER PUBLICATIONS**

Amazon. <URL: [https://www.amazon.com/dp/B00XBOXVIA/ref=psdc\\_289934\\_t1\\_B074WR7525](https://www.amazon.com/dp/B00XBOXVIA/ref=psdc_289934_t1_B074WR7525)> Oct. 1, 2013. Breville Convection Toaster Oven.\*

\* cited by examiner

*Primary Examiner* — Thomas Johannes  
*Assistant Examiner* — Lauren D McVey

(74) *Attorney, Agent, or Firm* — Hodgson Russ LLP

(57) **CLAIM**

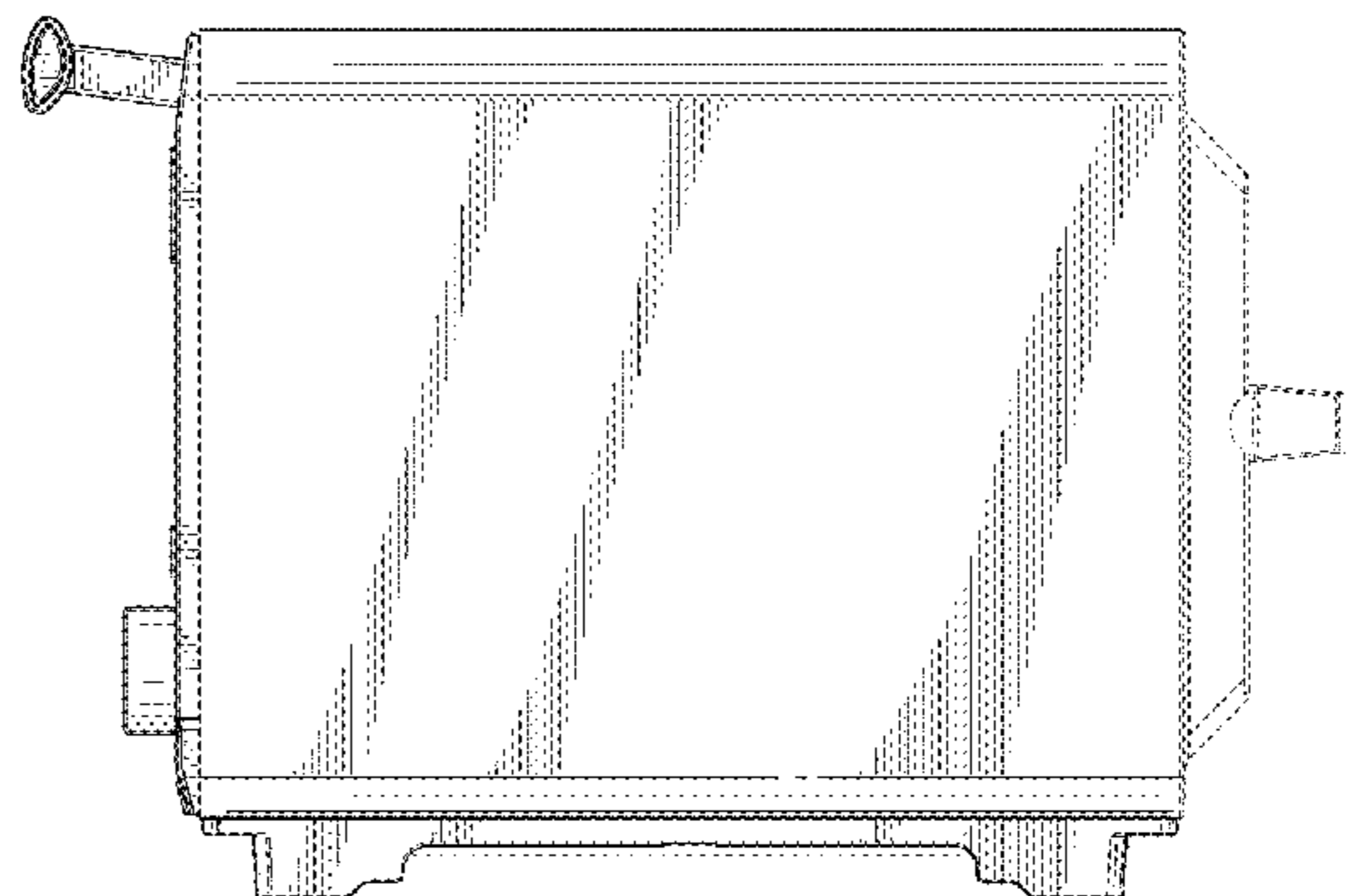
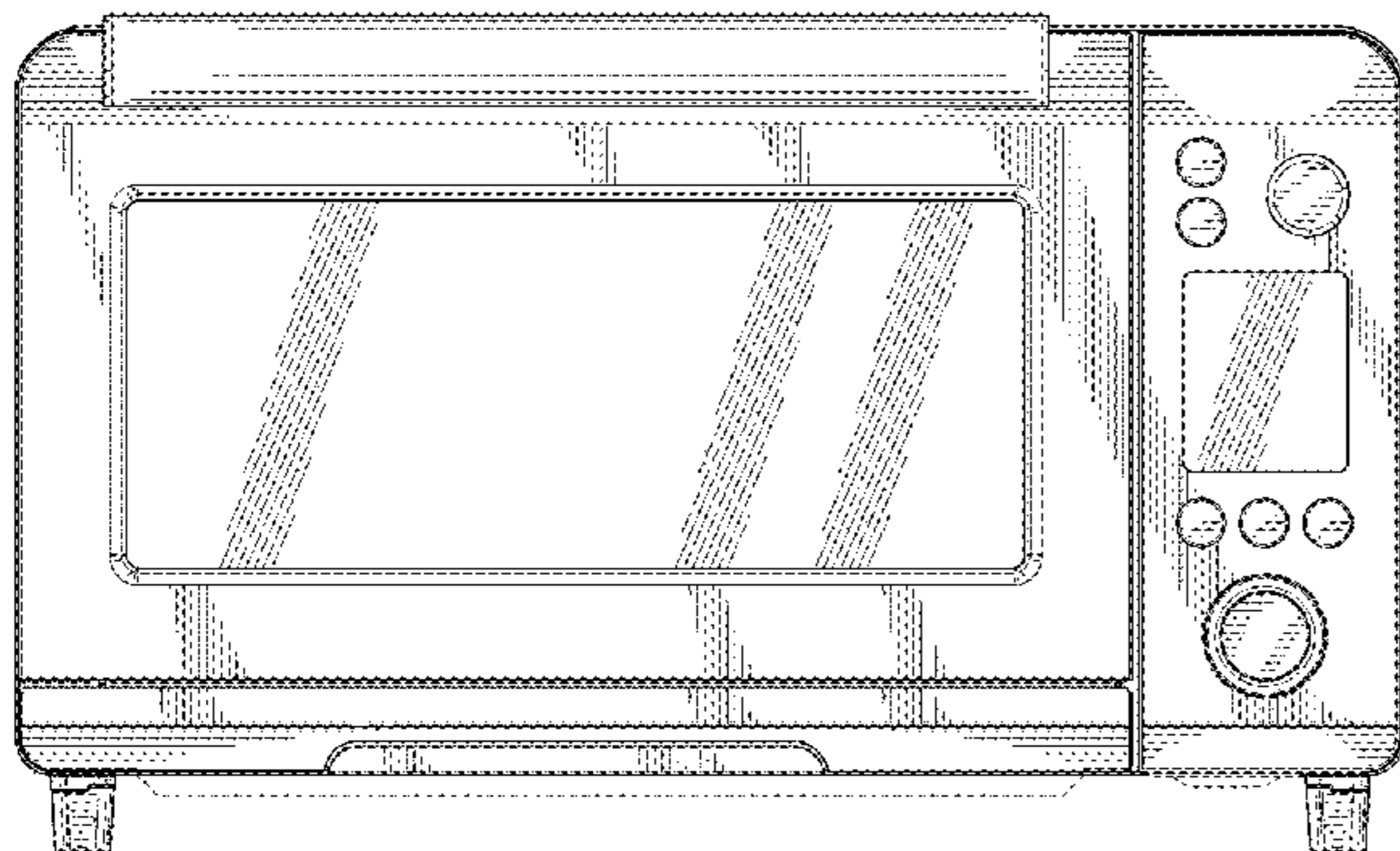
The ornamental design for a compact oven, as shown and described.

**DESCRIPTION**

FIG. 1 is a perspective view of a compact oven; FIG. 2 is a front elevation view thereof; FIG. 3 is a rear elevation view thereof; FIG. 4 is a left side elevation view thereof; FIG. 5 is a right side view thereof; FIG. 6 is a top plan view thereof; and, FIG. 7 is a bottom plan view thereof.

The broken lines immediately adjacent the shaded areas represent the bounds of the claimed design while all other broken lines are directed to environment and are for illustrative purposes only; the broken lines form no part of the claimed design. The unshaded surface that directly adjoins the claimed solid line edge forms no part of the claimed design.

**1 Claim, 7 Drawing Sheets**



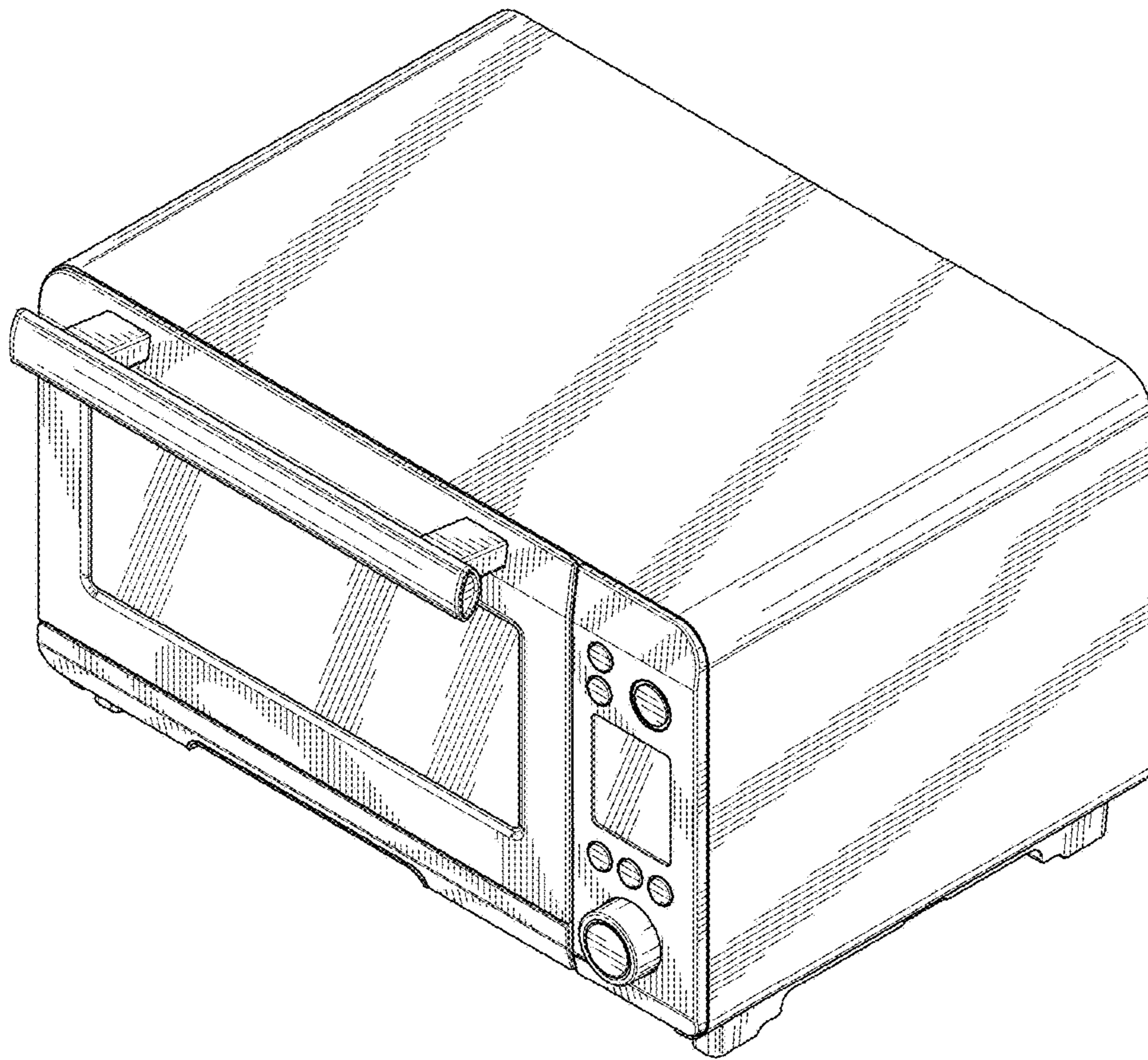


FIG. 1

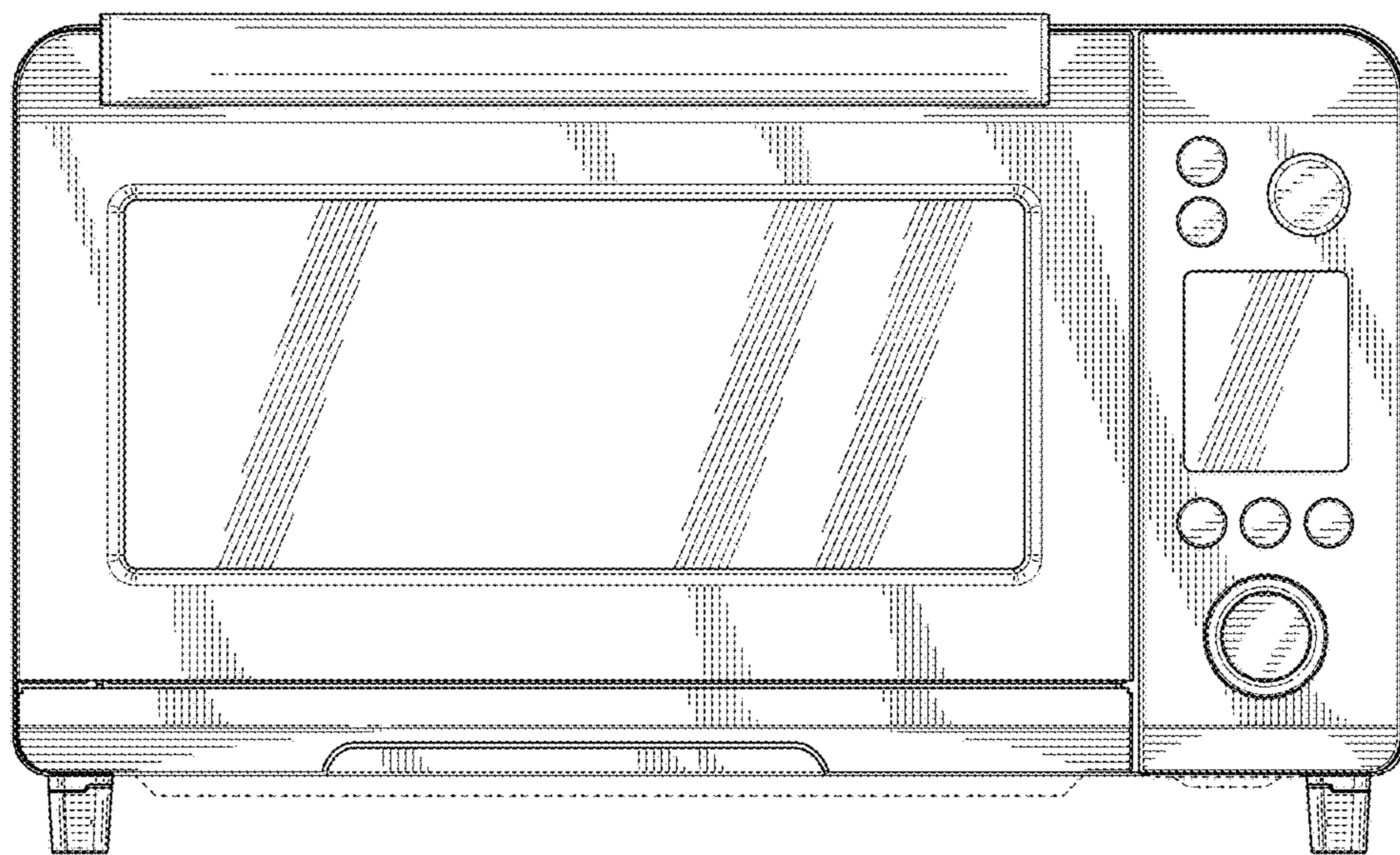


FIG. 2

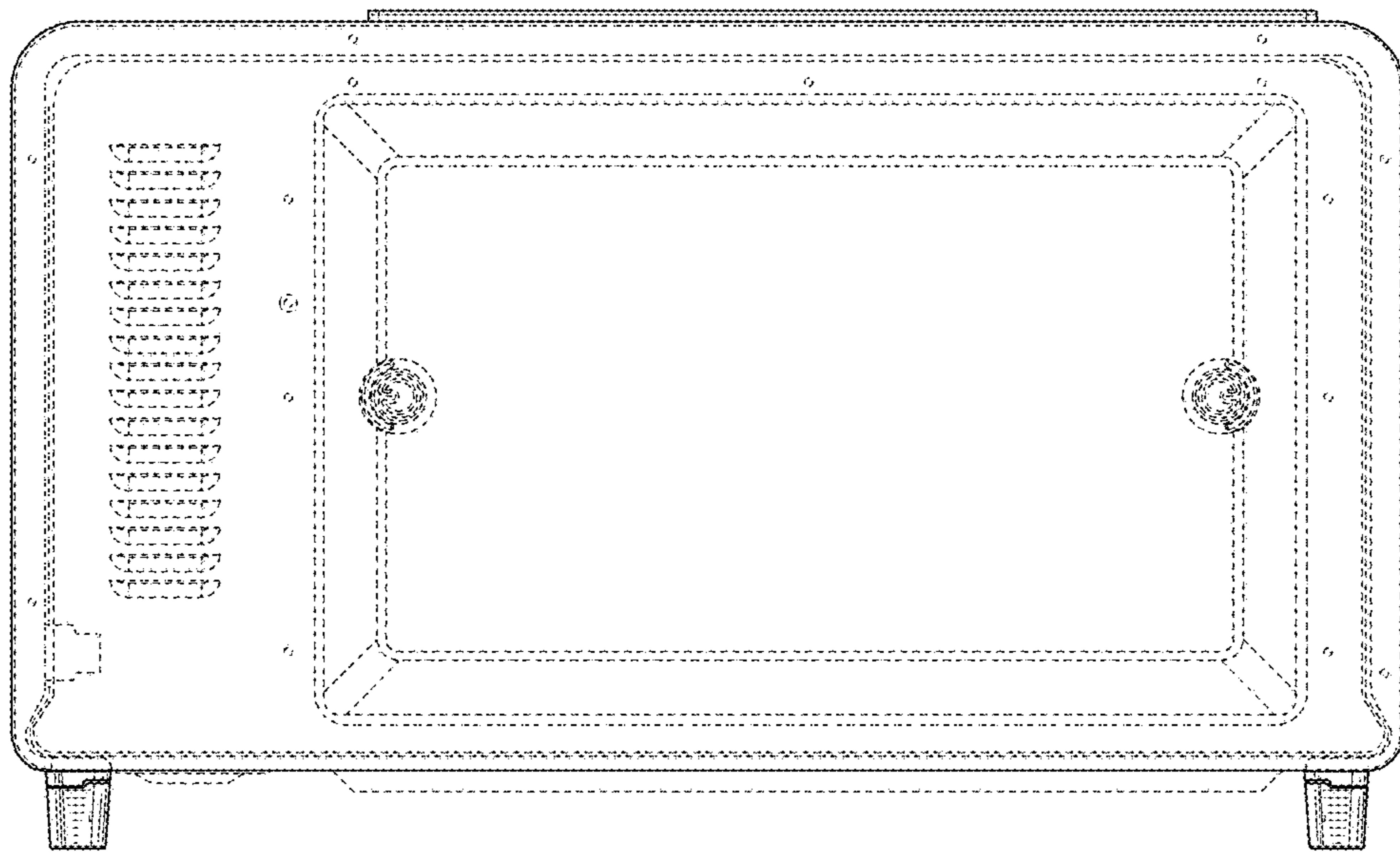


FIG. 3

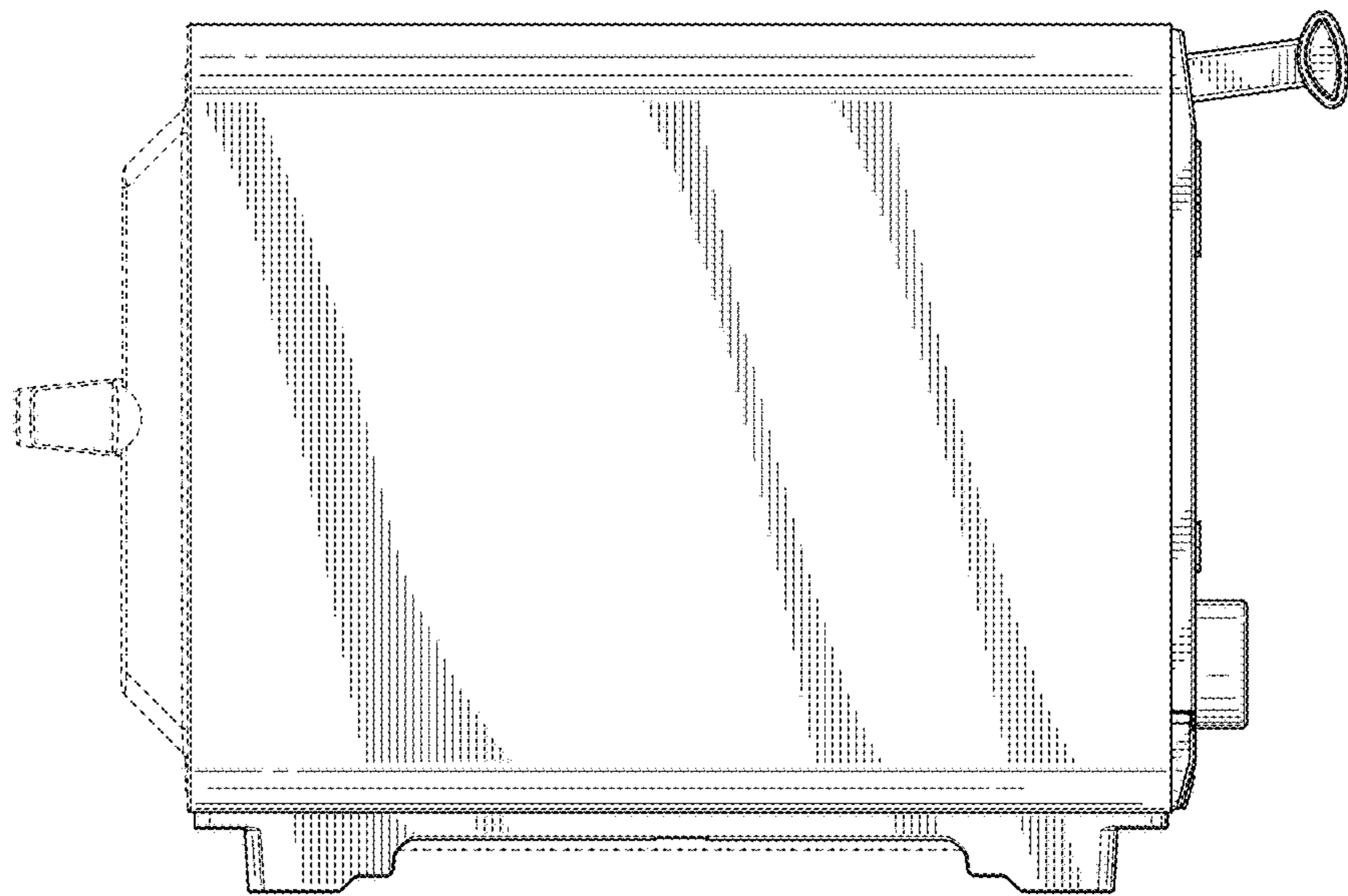


FIG. 4

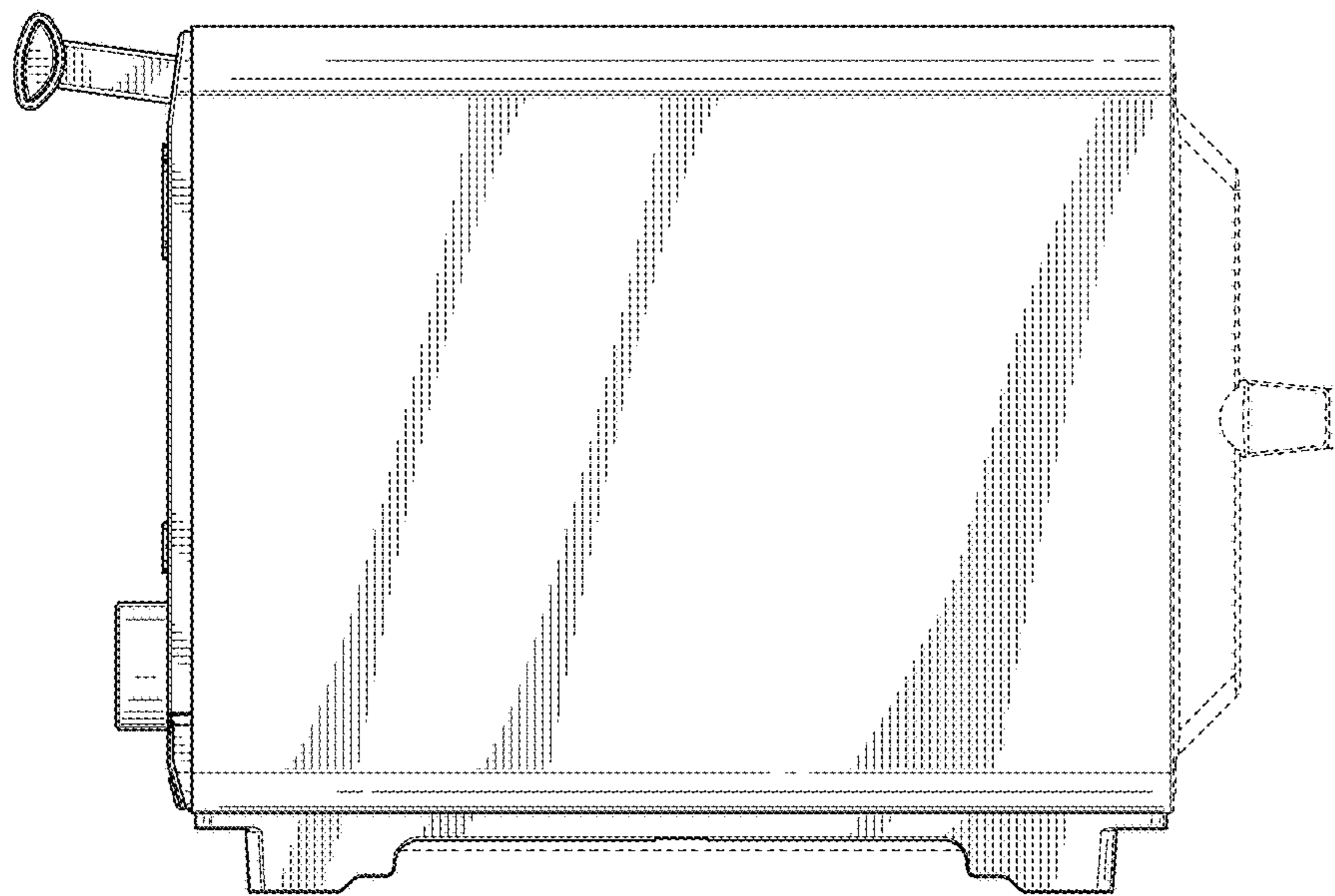


FIG. 5

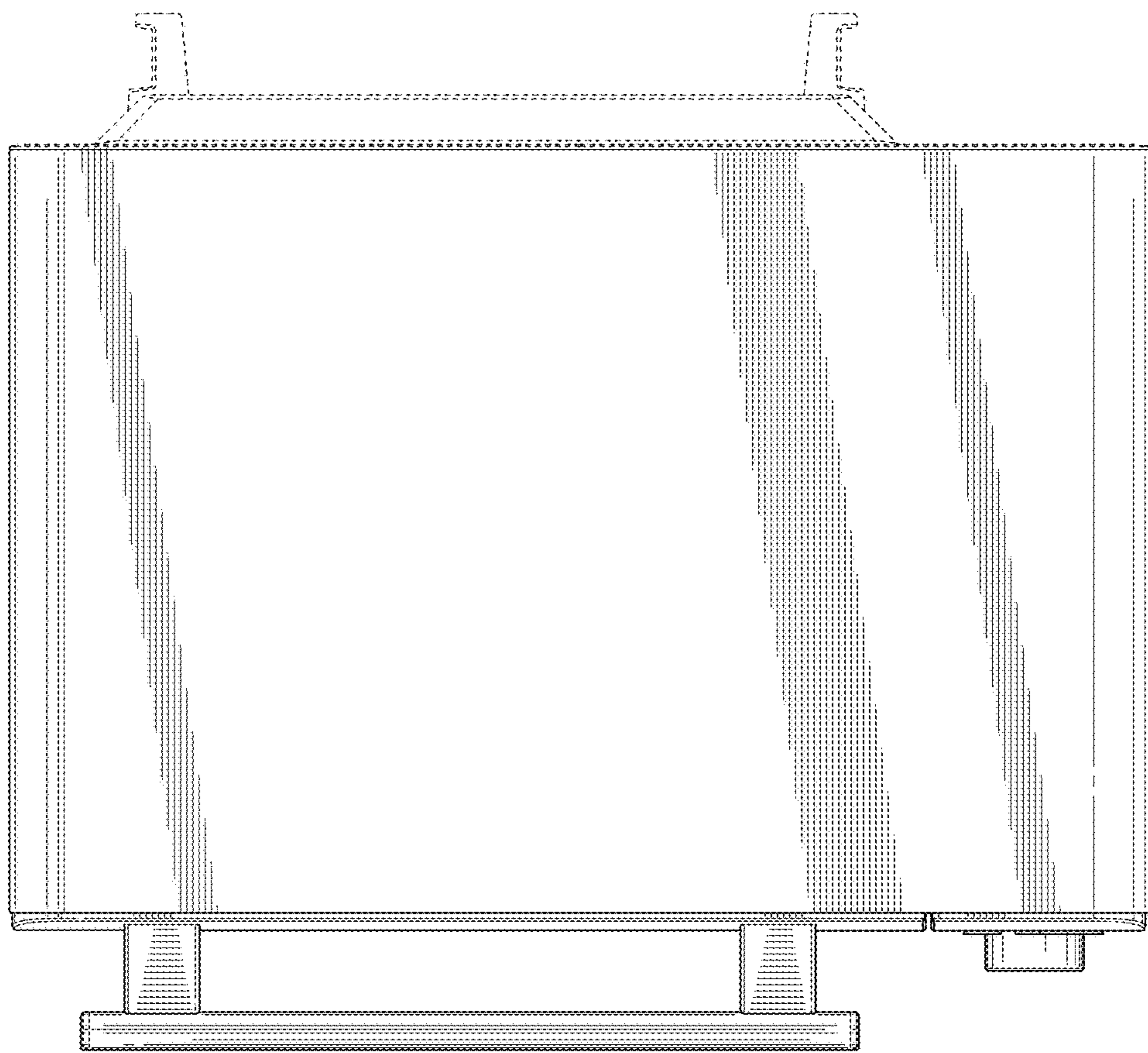


FIG. 6

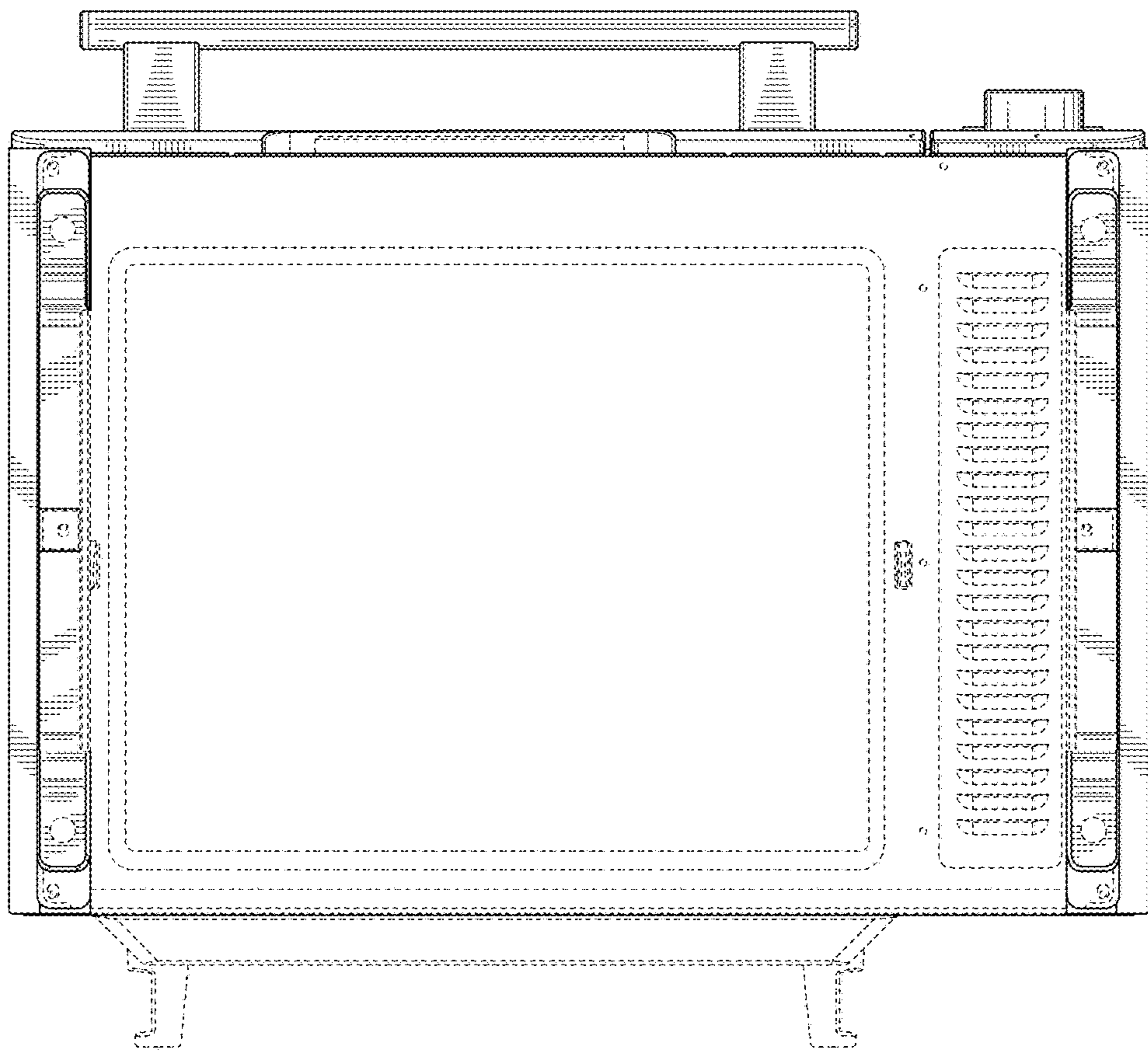


FIG. 7