

US00D842636S

(12) **United States Design Patent** (10) **Patent No.:** **US D842,636 S**  
**Nilssen** (45) **Date of Patent:** **\*\* Mar. 12, 2019**

(54) **GRILL**  
(71) Applicant: **Hestan Commercial Corporation,**  
Anaheim, CA (US)  
(72) Inventor: **Raymond Nilssen,** Fairhope, AL (US)  
(73) Assignee: **Hestan Commerical Corporation,**  
Anaheim, CA (US)  
(\*\*) Term: **15 Years**  
(21) Appl. No.: **29/611,318**  
(22) Filed: **Jul. 20, 2017**

D323,444 S 1/1992 Masters  
D381,868 S 8/1997 Schmitt  
5,891,498 A 4/1999 Boehler  
D450,215 S 11/2001 Wood  
D462,227 S \* 9/2002 Alden et al. .... D7/334  
D465,693 S \* 11/2002 Coleman ..... D7/334  
D494,004 S \* 8/2004 Chapman ..... D7/334  
D503,306 S \* 3/2005 Huang ..... D7/337  
6,877,505 B1 4/2005 Den Hoed  
D521,307 S \* 5/2006 Parrant ..... D7/334  
D525,072 S \* 7/2006 Wilgus ..... D7/334  
D533,009 S \* 12/2006 Pai ..... D7/334  
D533,010 S 12/2006 Pai  
D535,140 S 1/2007 Thurman, Jr.  
D535,846 S 1/2007 Debord et al.  
D560,416 S \* 1/2008 Sedberry ..... D7/334  
D569,168 S 5/2008 Pai  
D571,602 S \* 6/2008 Chung ..... D7/334  
D581,199 S \* 11/2008 Chau ..... D7/334  
D584,562 S 1/2009 Chau et al.  
D586,609 S 2/2009 Chau

**Related U.S. Application Data**

(60) Division of application No. 29/556,320, filed on Feb. 29, 2016, now Pat. No. Des. 812,424, which is a continuation-in-part of application No. 29/550,112, filed on Dec. 30, 2015, now Pat. No. Des. 815,484.

(51) **LOC (11) Cl.** ..... **07-02**  
(52) **U.S. Cl.**  
USPC ..... **D7/332**

(58) **Field of Classification Search**  
USPC ..... D7/213, 323, 324, 325, 326, 327, 328,  
D7/329, 330, 331, 332, 333, 334, 335,  
D7/336, 337, 402, 404, 405, 406, 407  
CPC ..... G05D 7/00; F24C 5/00; F24C 5/20; F24C  
3/00; F24C 3/10; F24C 3/12; F24C  
15/06; F24C 15/10; F24C 15/16; F24C  
15/20; F24B 3/00; F23N 5/22; B60H  
3/00; B32B 15/04; A62C 3/00; A47J  
43/18

See application file for complete search history.

(56) **References Cited**  
U.S. PATENT DOCUMENTS

3,613,657 A 10/1971 Wilksa  
D302,641 S 8/1989 Eimburg

(Continued)

*Primary Examiner* — Susan Bennett Hattan  
*Assistant Examiner* — Suzanne E Tisdell  
(74) *Attorney, Agent, or Firm* — Akerman LLP

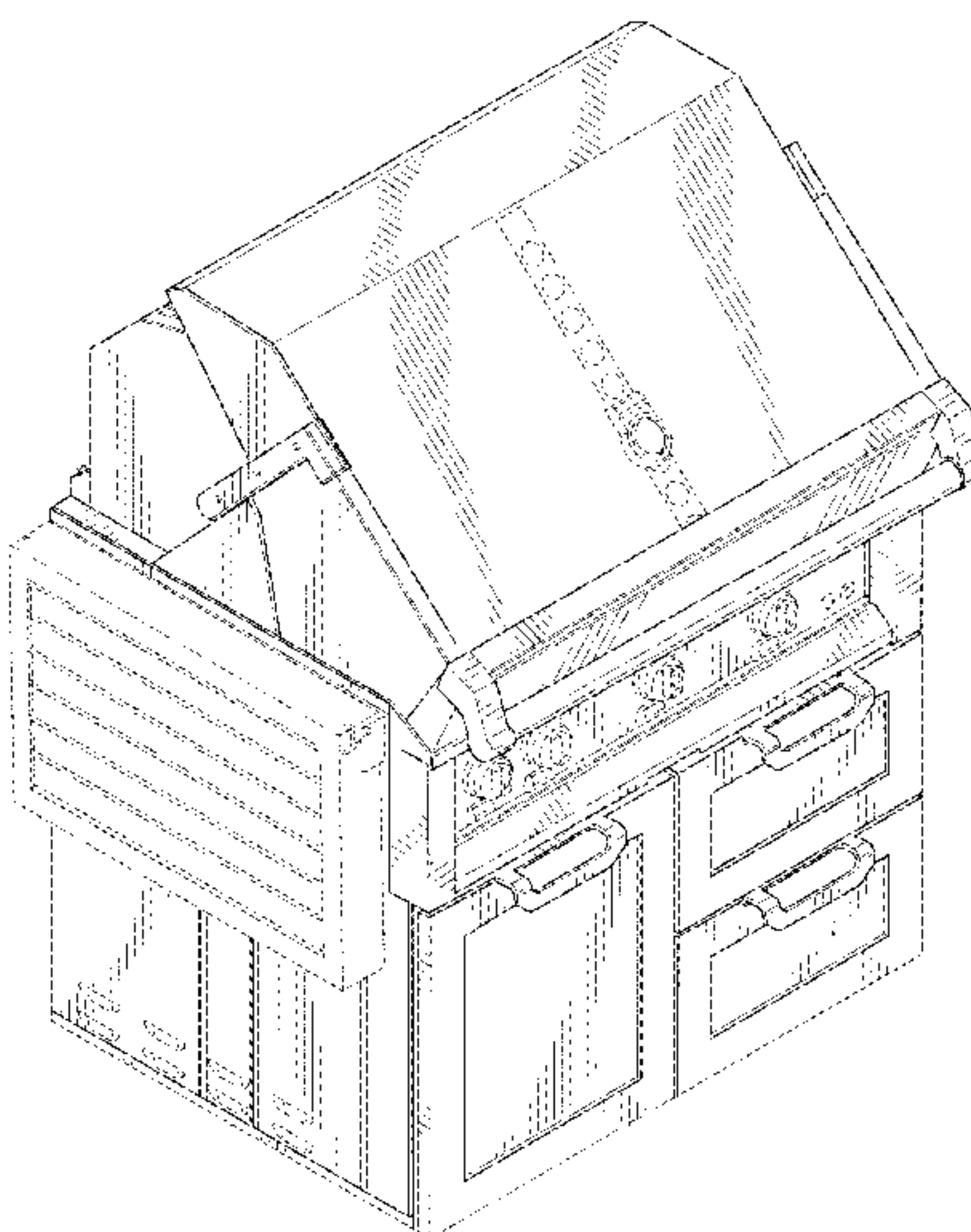
(57) **CLAIM**

The ornamental design for a grill, as shown and described.

**DESCRIPTION**

FIG. 1 is a perspective view of the “grill” with a grill base;  
FIG. 2 is a front view;  
FIG. 3 is a back view;  
FIG. 4 is a side view;  
FIG. 5 is a view;  
FIG. 6 is a top view; and,  
FIG. 7 is a bottom view.  
The broken lines in the figures are for illustrative purposes  
only and form no part of the claimed design.

**1 Claim, 7 Drawing Sheets**



(56)

References Cited

U.S. PATENT DOCUMENTS

D615,799 S *	5/2010	Best	.....	D7/337	D730,103 S	5/2015	Manley	
D631,685 S *	2/2011	Tiller	.....	D7/337	D731,843 S *	6/2015	Chung	..... D7/334
D635,814 S	4/2011	Leavens			D732,874 S *	6/2015	Chung	..... D7/334
D646,121 S	10/2011	Pickard			D736,026 S *	8/2015	Kam	..... D7/334
D660,074 S *	5/2012	Chung	.....	D7/334	D747,911 S	1/2016	Sheppard	
D677,111 S *	3/2013	Chung	.....	D7/337	D769,668 S *	10/2016	Lally	..... D7/334
D688,510 S	8/2013	Stirn			D772,637 S *	11/2016	Barquin	..... D7/337
D688,512 S	8/2013	Chung			D812,424 S	3/2018	Nilssen	
D693,624 S	11/2013	Chung			D815,484 S	4/2018	Wenzel	
D694,056 S	11/2013	Dahle			2007/0204858 A1	9/2007	Abelbeck	
D694,568 S *	12/2013	Alden	.....	D7/334	2008/0229937 A1 *	9/2008	Stephen	..... A47J 37/041 99/421 R
D697,357 S *	1/2014	Goecke	.....	D7/334	2010/0297321 A1	11/2010	Strauch	
D708,889 S	7/2014	Eisendrath			2011/0219958 A1	9/2011	Noble	
D722,467 S *	2/2015	Chung	.....	D7/337	2013/0112088 A1 *	5/2013	May	..... A47J 37/07 99/421 H
D722,809 S *	2/2015	Chung	.....	D7/334	2014/0318524 A1 *	10/2014	Measom	..... A47J 37/0704 126/25 R
D722,810 S *	2/2015	Chung	.....	D7/334	2015/0004297 A1	1/2015	Potheses	
D722,812 S *	2/2015	Chung	.....	D7/337	2016/0198895 A1	7/2016	Turner	
D722,813 S *	2/2015	Chung	.....	D7/337	2016/0208837 A1 *	7/2016	Chang	..... F16B 5/02
D723,322 S	3/2015	Strauch et al.			2016/0360924 A1 *	12/2016	Bruin-Slot	..... A47J 37/0694
D723,860 S *	3/2015	Chung	.....	D7/334				

\* cited by examiner

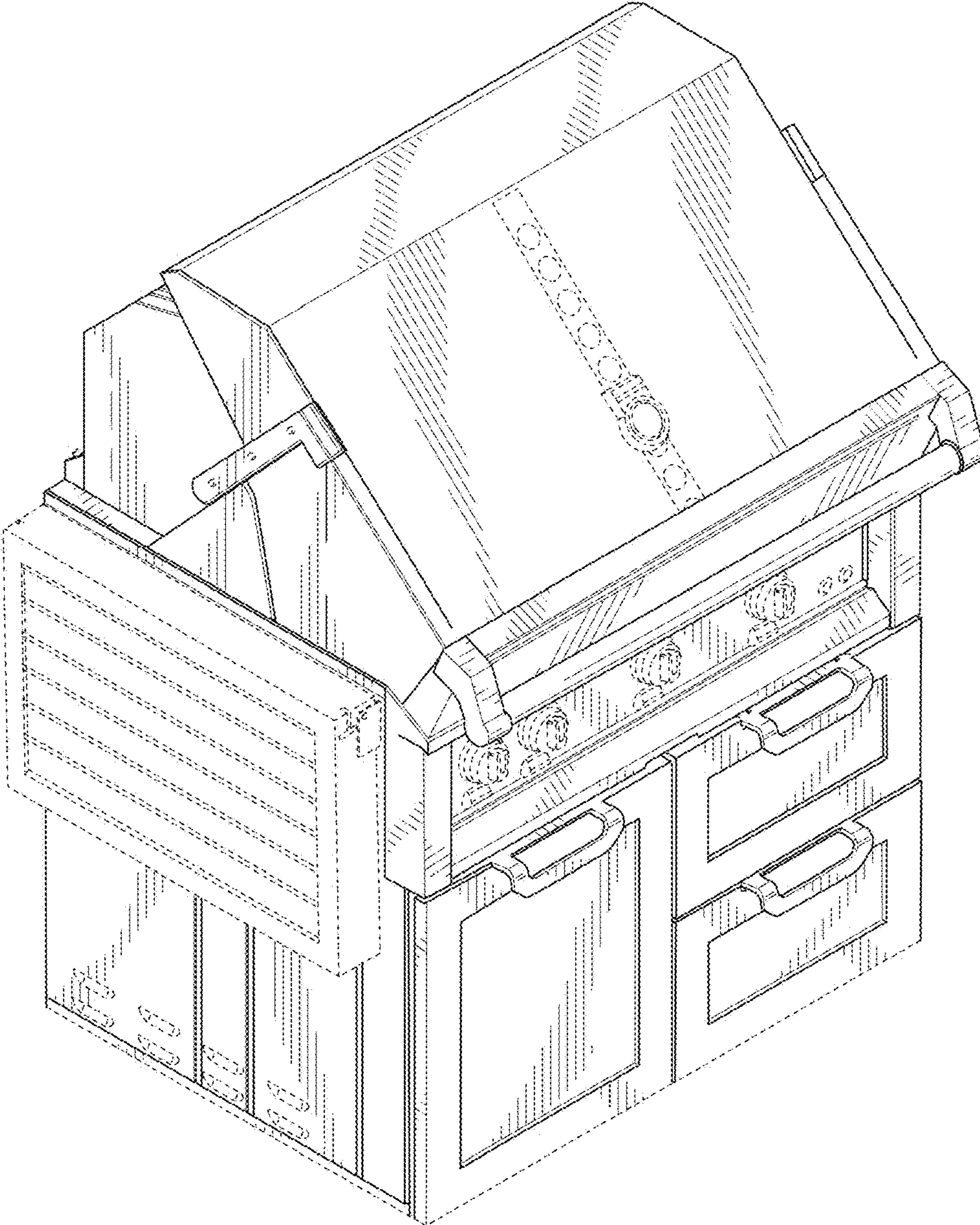


FIG. 1



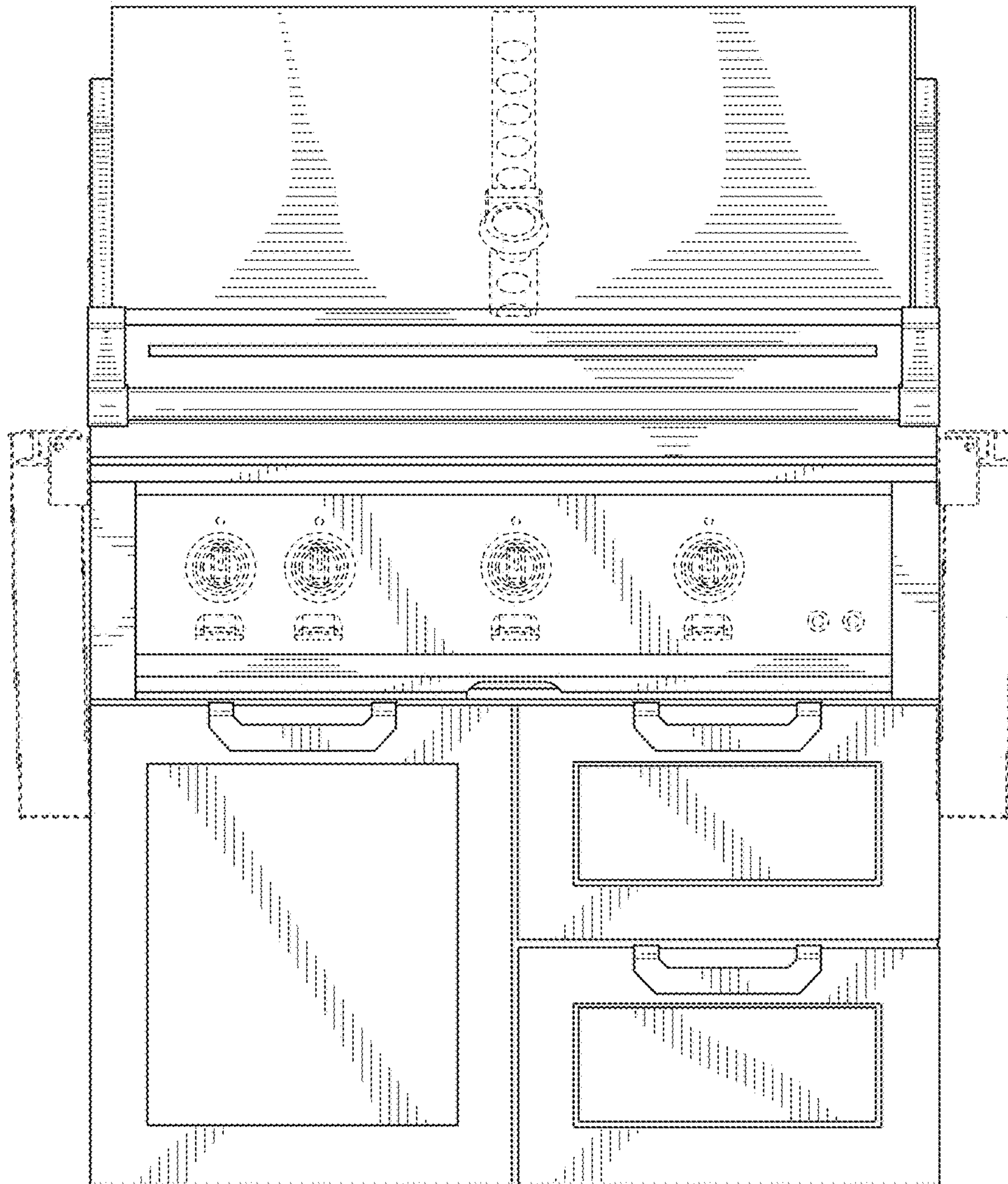


FIG. 2

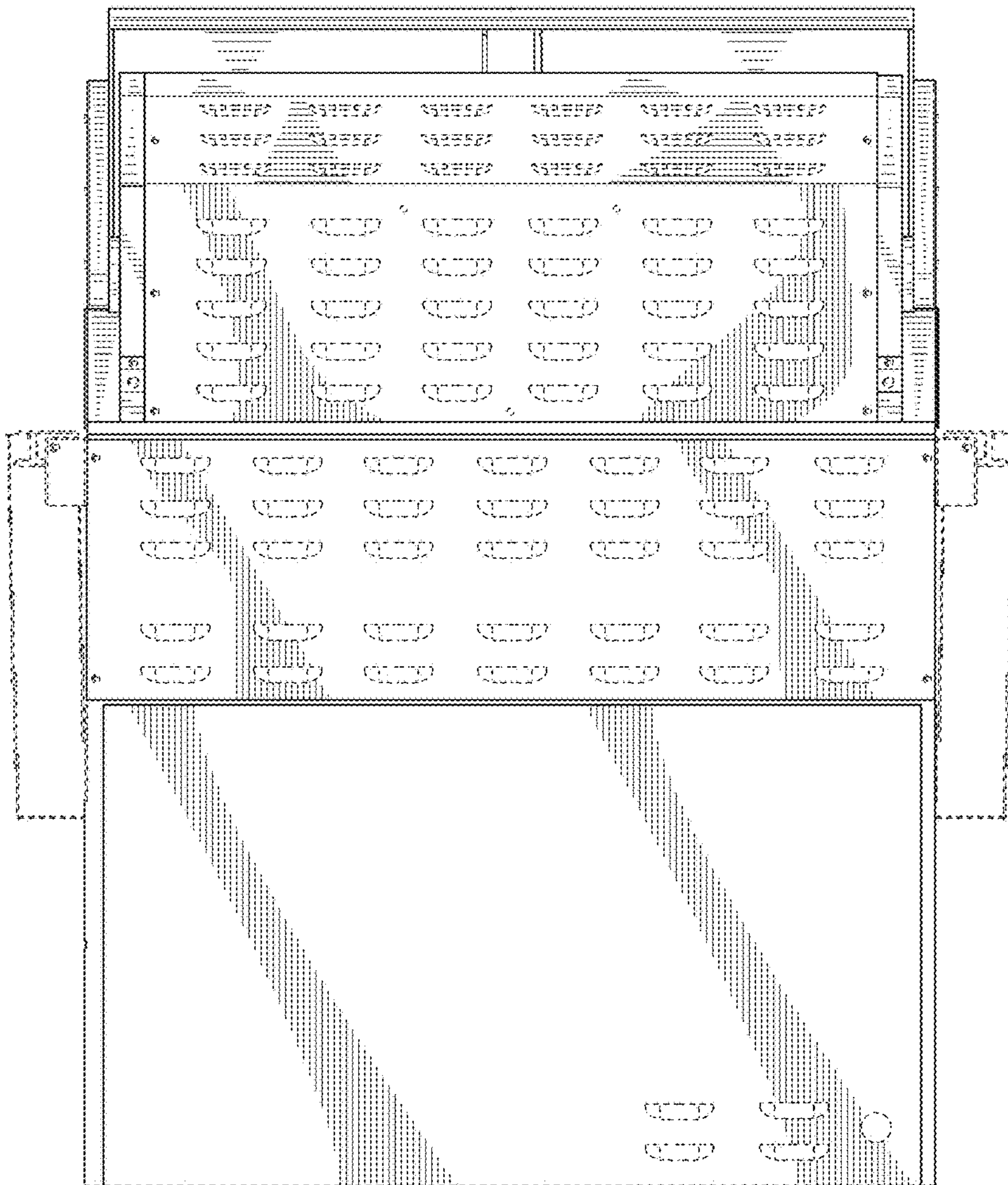


FIG. 3

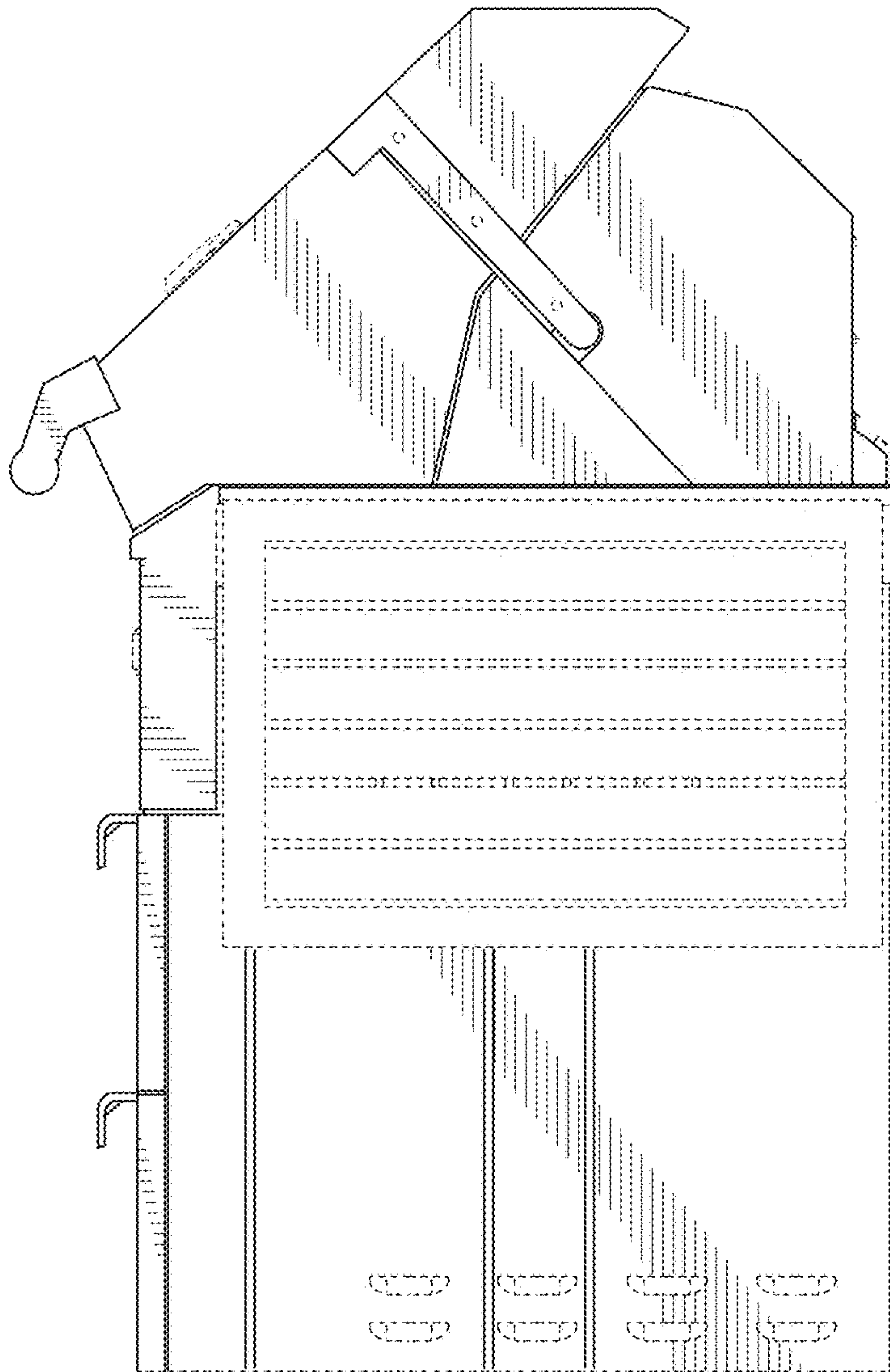


FIG. 4

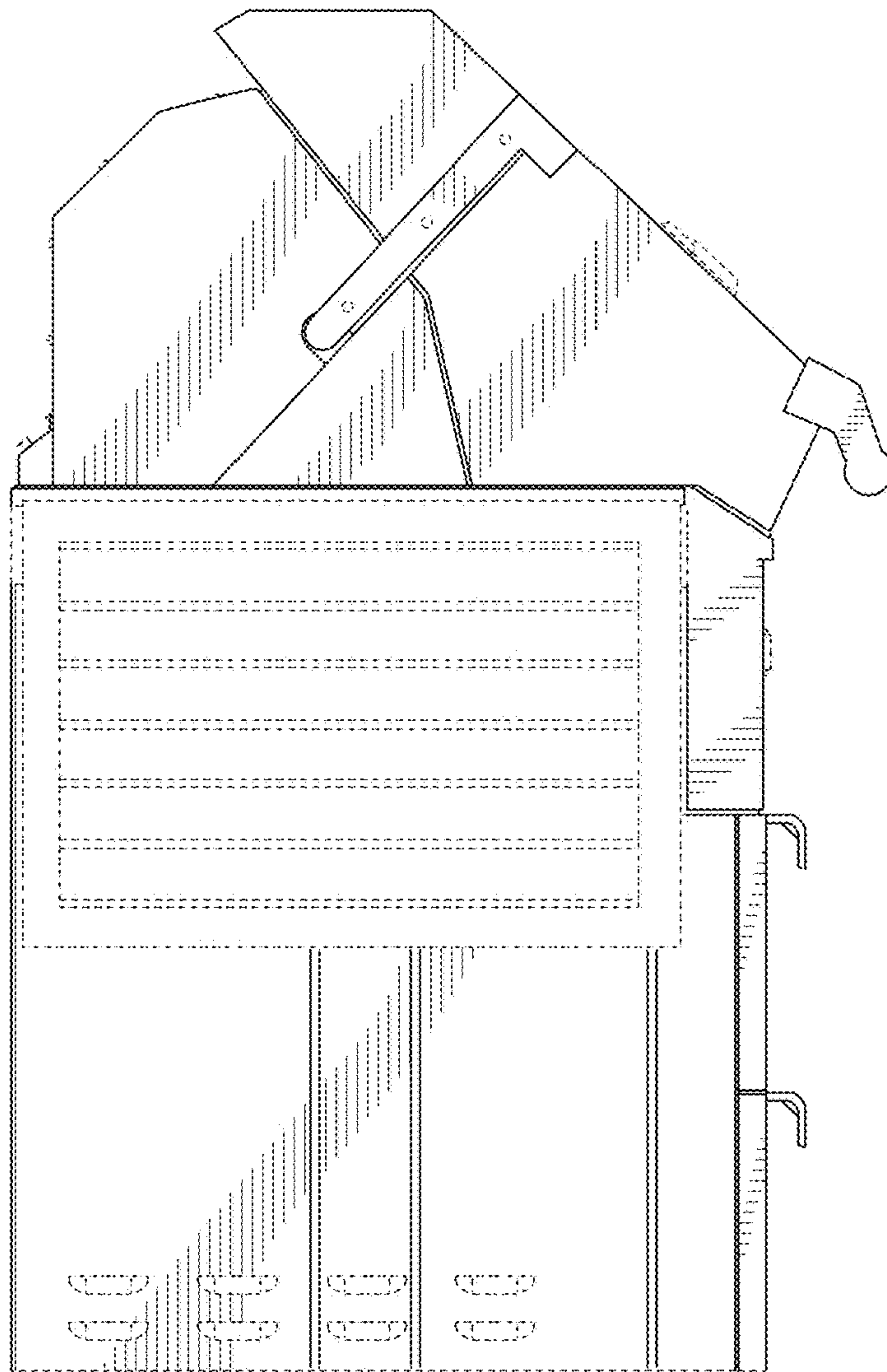


FIG. 5



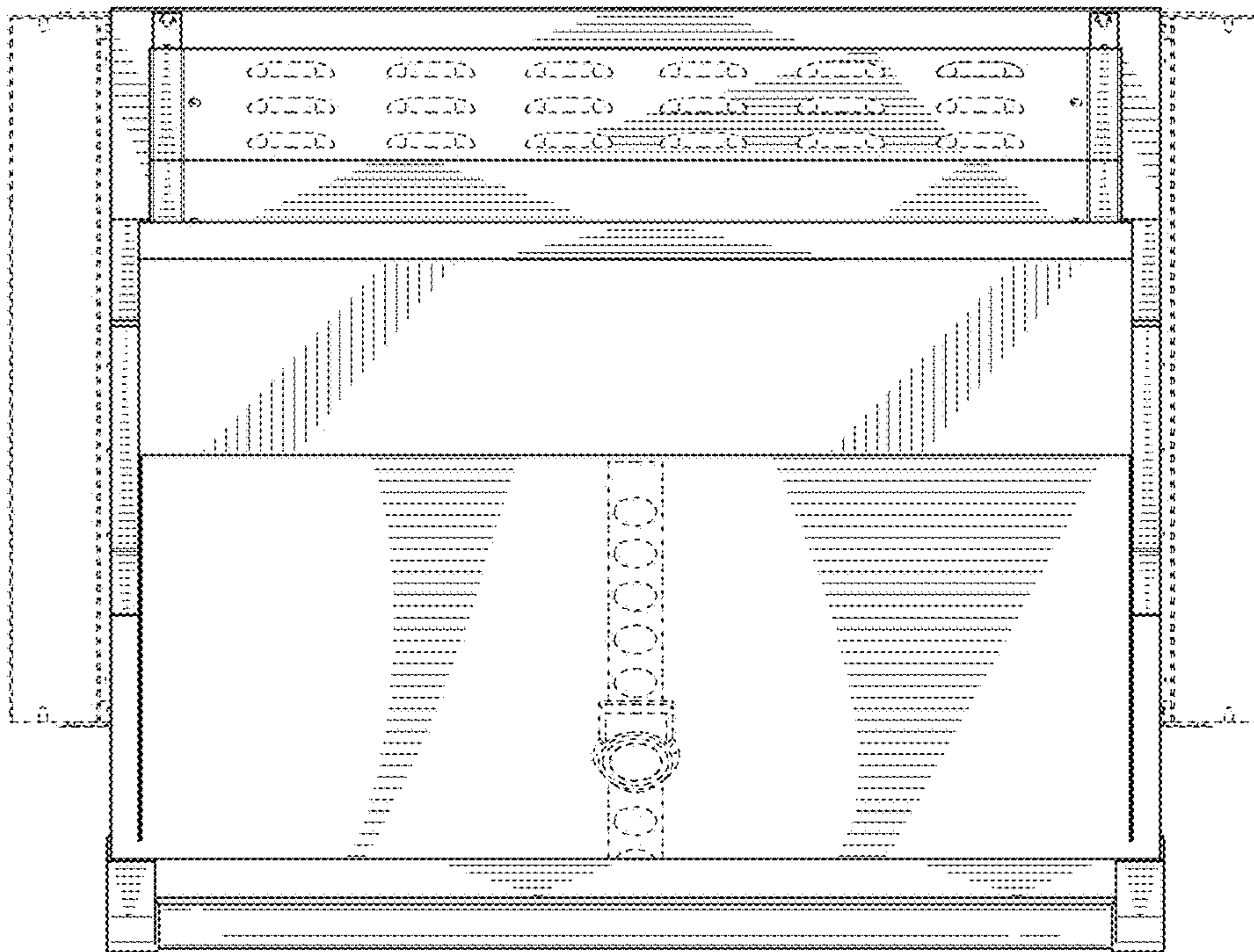


FIG. 6



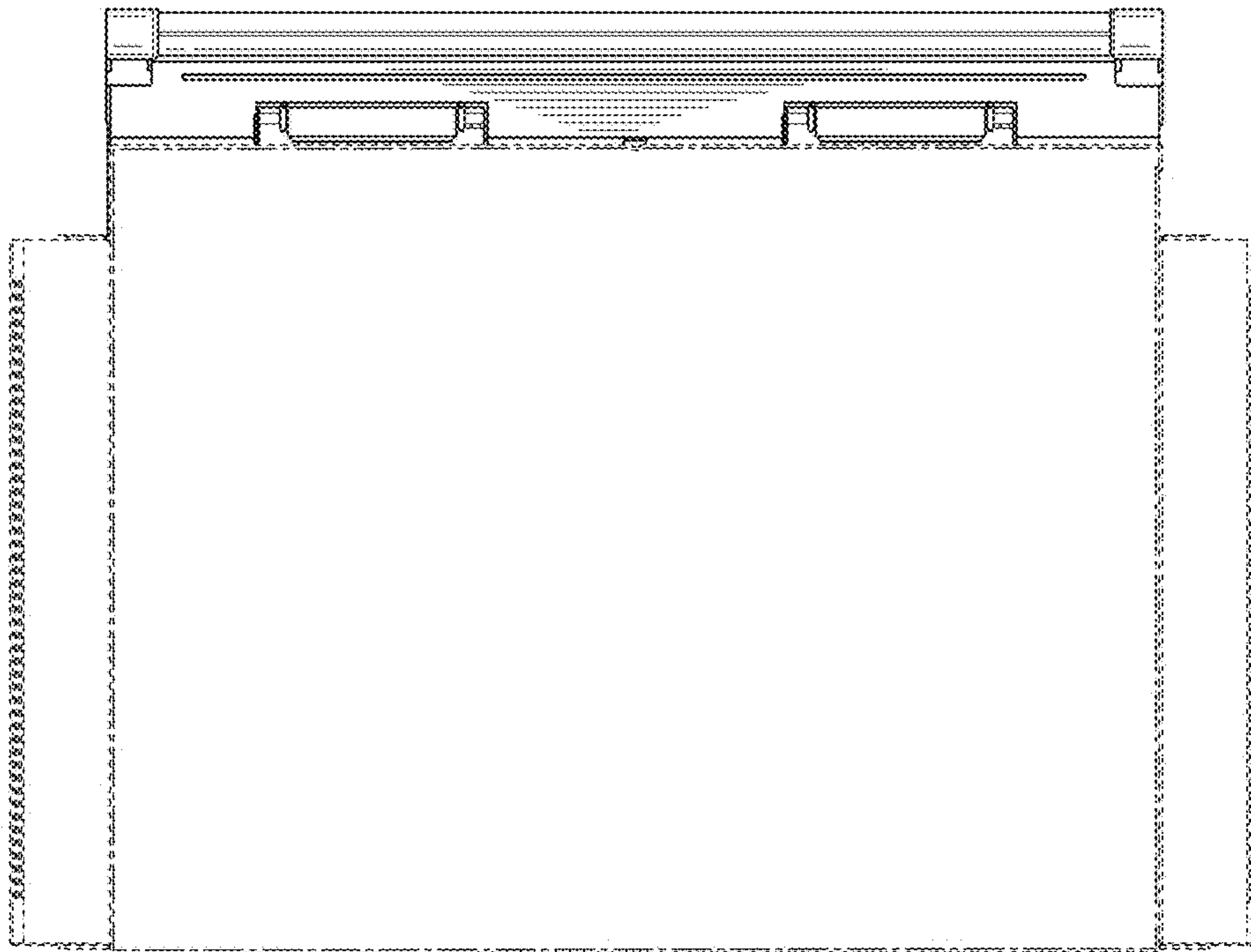


FIG. 7