

US00D842635S

(12) **United States Design Patent**
Synowiec

(10) **Patent No.:** **US D842,635 S**

(45) **Date of Patent:** **** Mar. 12, 2019**

(54) **TOP-FIRED INFRARED GAS GRILL WITH A DRAWER INCLUDING A GREASE PAN**

(71) Applicant: **Christian Synowiec**, Vienna (AT)

(72) Inventor: **Christian Synowiec**, Vienna (AT)

(**) Term: **15 Years**

(21) Appl. No.: **29/591,544**

(22) Filed: **Jan. 20, 2017**

(51) **LOC (11) Cl.** **07-02**

(52) **U.S. Cl.**
USPC **D7/330**

(58) **Field of Classification Search**
USPC D7/323, 328-330, 339, 390
CPC ... A21B 2/00; A47J 37/00; A47J 37/06; A47J
37/0611; A47J 37/044; A47J 37/08; A47J
37/0807; A47J 37/0814; A47J 37/0835;
A47J 37/0842; A47J 37/085; A47J
37/0857; A47J 37/0864; A47J 37/0871;
A47J

(Continued)

(56) **References Cited**

U.S. PATENT DOCUMENTS

3,416,430 A * 12/1968 Hauser A47J 37/08
99/332
3,517,605 A * 6/1970 Weiss A47J 37/044
219/388

(Continued)

FOREIGN PATENT DOCUMENTS

CN 3401974 3/2004
CN 303674538 5/2016
KR 3008886100000 2/2017

Primary Examiner — Ricky Pham

(74) *Attorney, Agent, or Firm* — Horst M. Kasper, Esq.

(57) **CLAIM**

The ornamental design for a top-fired infrared gas grill with a drawer including a grease pan, as shown and described.

DESCRIPTION

FIG. 1 is a front perspective view of the design of a top-fired infrared gas grill with a drawer including a grease pan, shown without the attachments for completeness of illustration;

FIG. 2 is a rear perspective view thereof;

FIG. 3 is a side elevational thereof;

FIG. 4 is a left perspective view, showing a movable support for steaks attached thereof;

FIG. 5 is a front perspective view, shown with the front part thereof;

FIG. 6 is a front perspective view, shown with a removed front part thereof;

FIG. 7 is a rear left hand side perspective view, shown with a ventilator attached to the rear side thereof;

FIG. 8 is a rear right hand side perspective view, shown with a ventilator attached to the rear side thereof;

FIG. 9 is a top plan view thereof;

FIG. 10 is a bottom plan view thereof;

FIG. 11 is a bottom perspective view thereof;

FIG. 12 is an enlarged perspective view of a front section counter thereof;

FIG. 13 is an enlarged view of a vertical insert thereof;

FIG. 14 is a front perspective view of a grid for the inside of the gas grill and a handle thereof;

FIG. 15 is a mirror image view of FIG. 14 thereof;

FIG. 16 is a side view of a grid part disposed in a mirror configuration view of FIG. 15 thereof;

FIG. 17 is a side view being a mirror image view of FIG. 16 thereof;

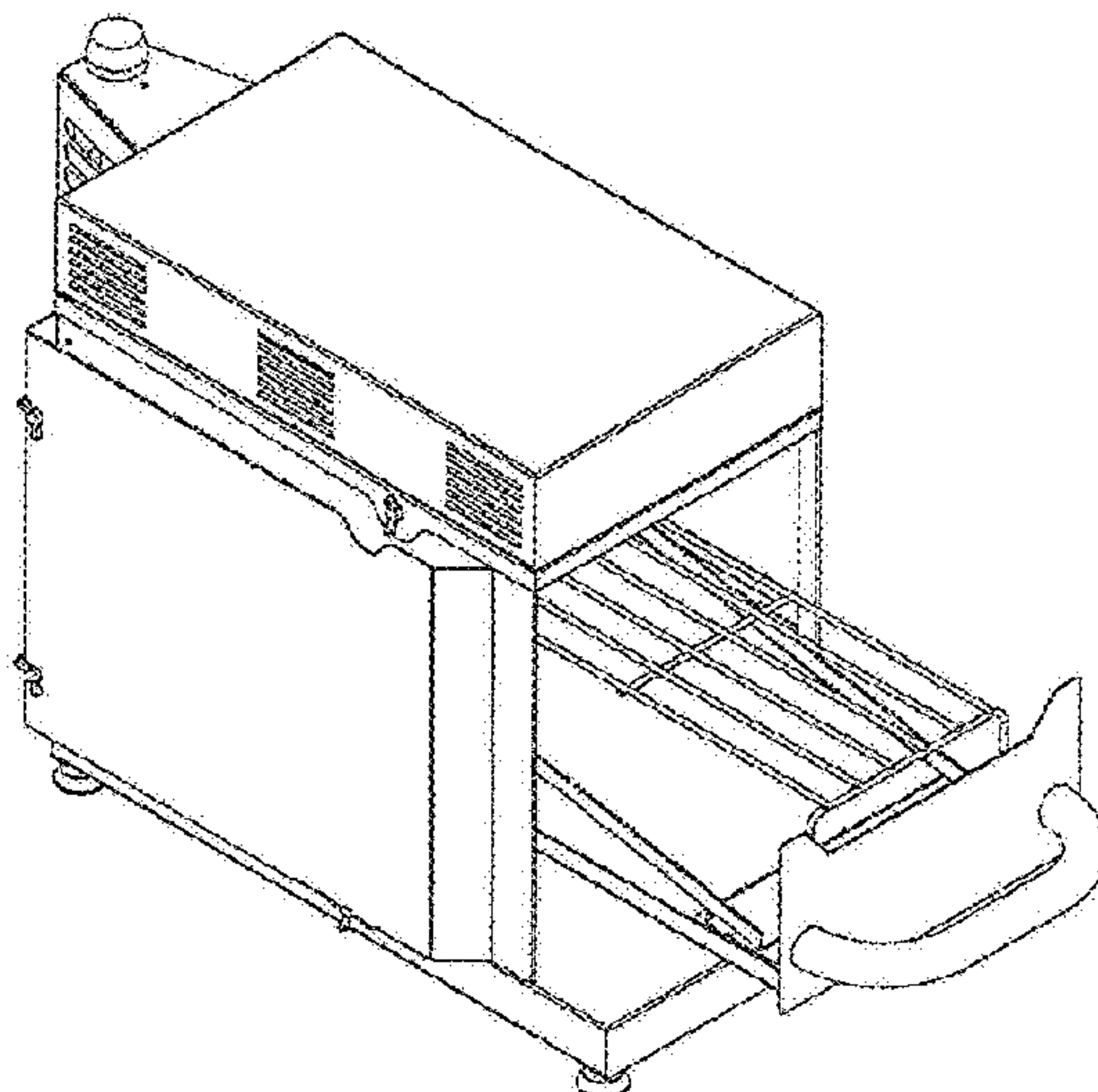
FIG. 18 is an enlarged rear perspective view of a drawer front cover thereof;

FIG. 19 is an enlarged mirror image view of FIG. 18 thereof;

FIG. 20 is an enlarged view of a cooking grate; and,

FIG. 21 is an enlarged top view of a grease drain.

1 Claim, 6 Drawing Sheets



(58) **Field of Classification Search**

CPC 37/0878; A47J 37/0885; A47J 37/0892;
F24C 15/10; F24C 15/102

See application file for complete search history.

(56) **References Cited**

U.S. PATENT DOCUMENTS

5,673,608 A * 10/1997 DeMars A47J 37/0871
269/87.2
6,019,030 A * 2/2000 Kettman A47J 37/0857
198/849
D475,234 S * 6/2003 Takase D7/328
6,675,700 B2 * 1/2004 Hong A47J 37/0857
219/492
D598,236 S * 8/2009 Dyson A47J 37/0857
D7/328
D603,649 S * 11/2009 Chung D7/330
D605,891 S * 12/2009 Kizilbayir A47J 37/0857
D7/330
D622,091 S * 8/2010 Knox A47J 37/0871
D7/330
D634,154 S * 3/2011 Agnello A47J 37/044
D7/328
D790,905 S * 7/2017 Sajjad A47J 37/08
D7/339
2009/0139409 A1 * 6/2009 Hall A47J 37/0857
99/326

* cited by examiner

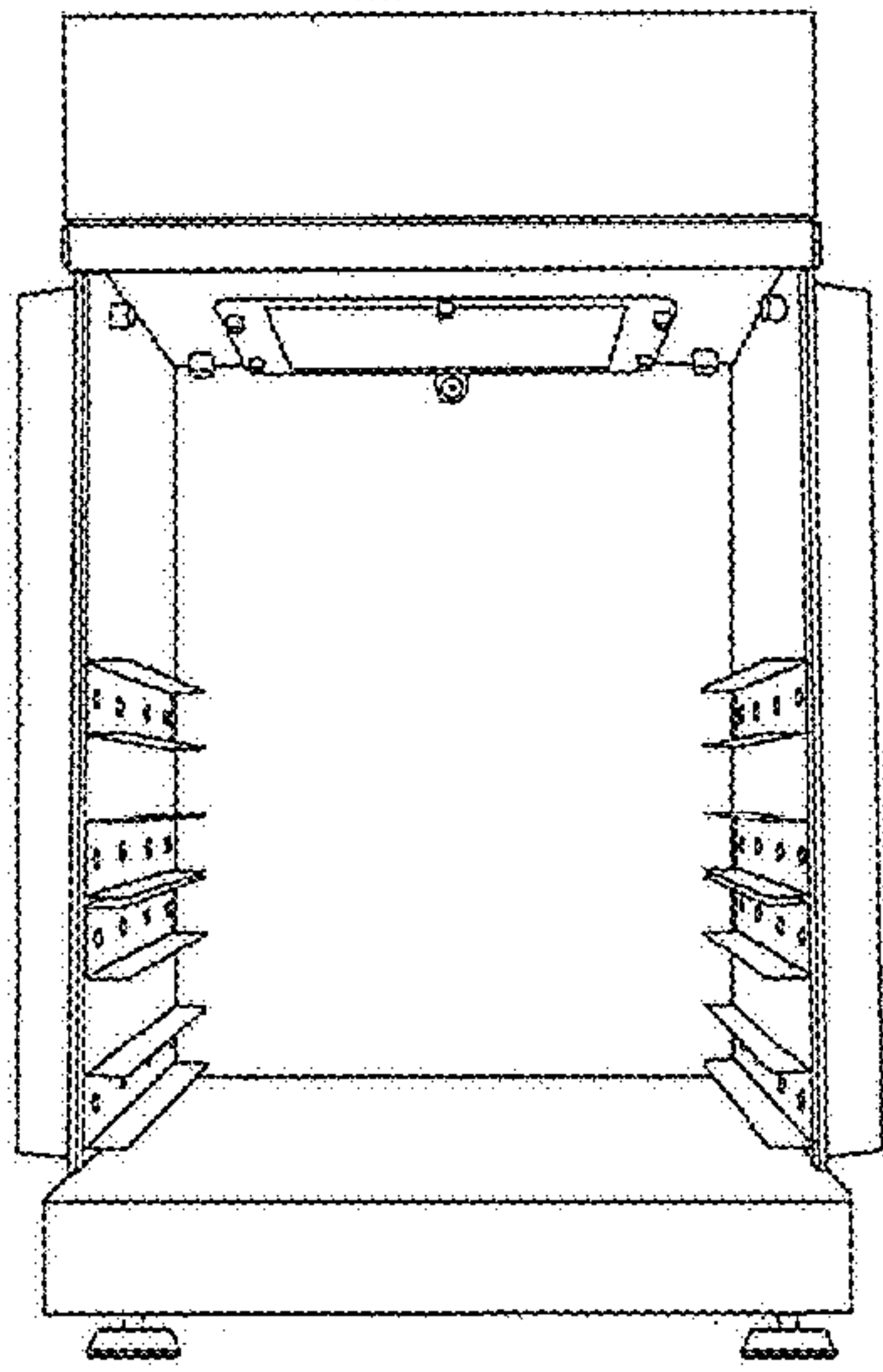


FIG 1

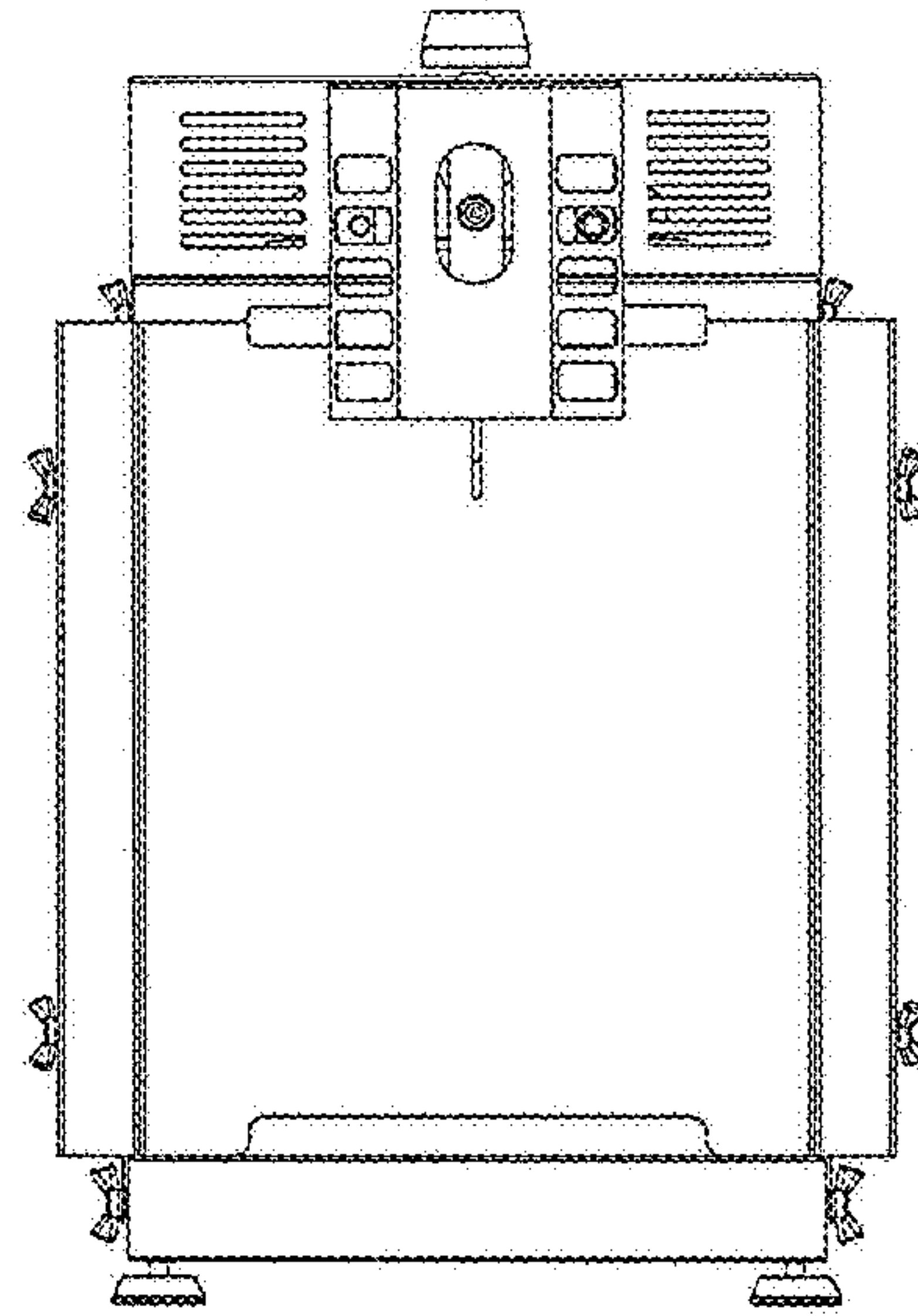


FIG 2

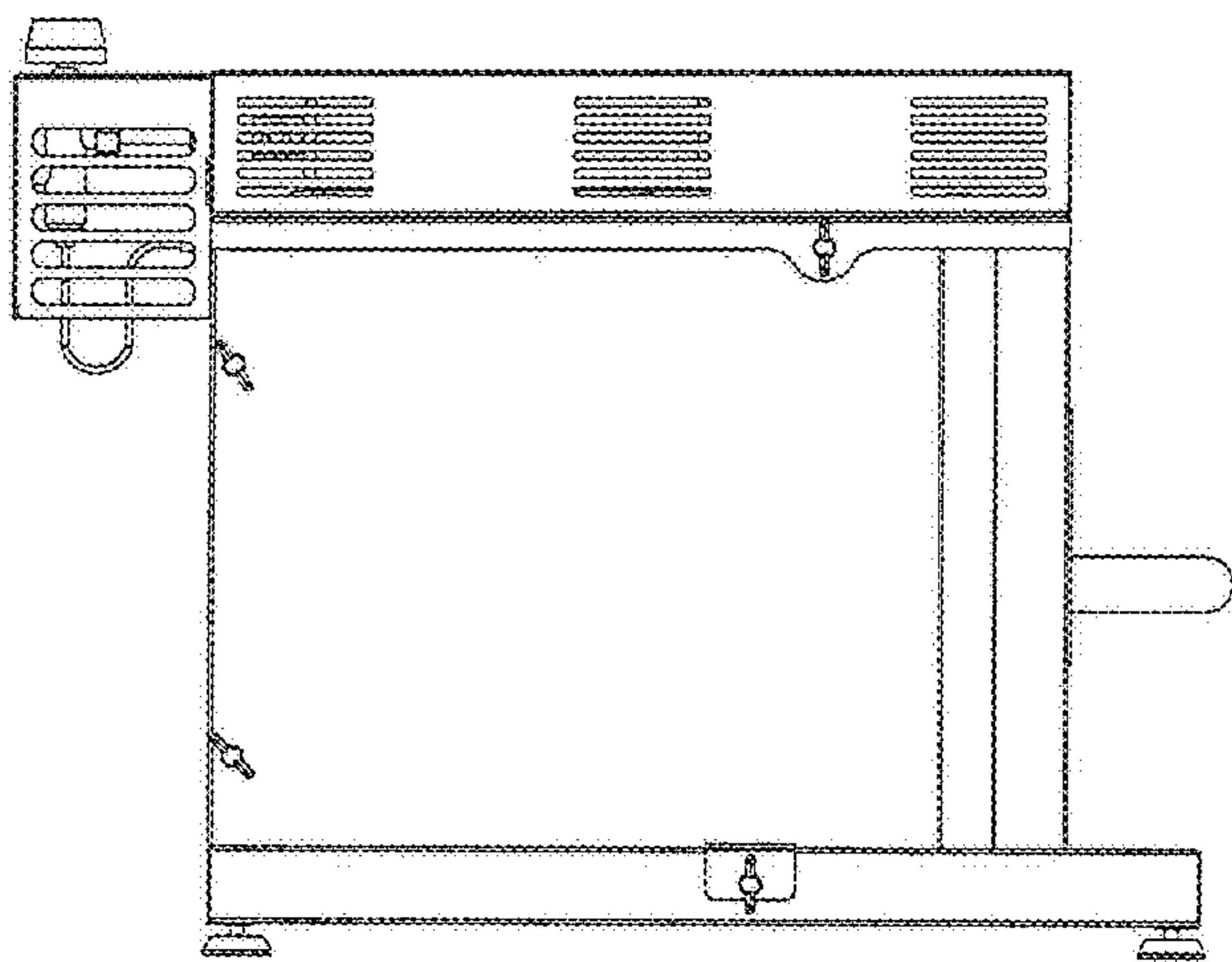


FIG 3

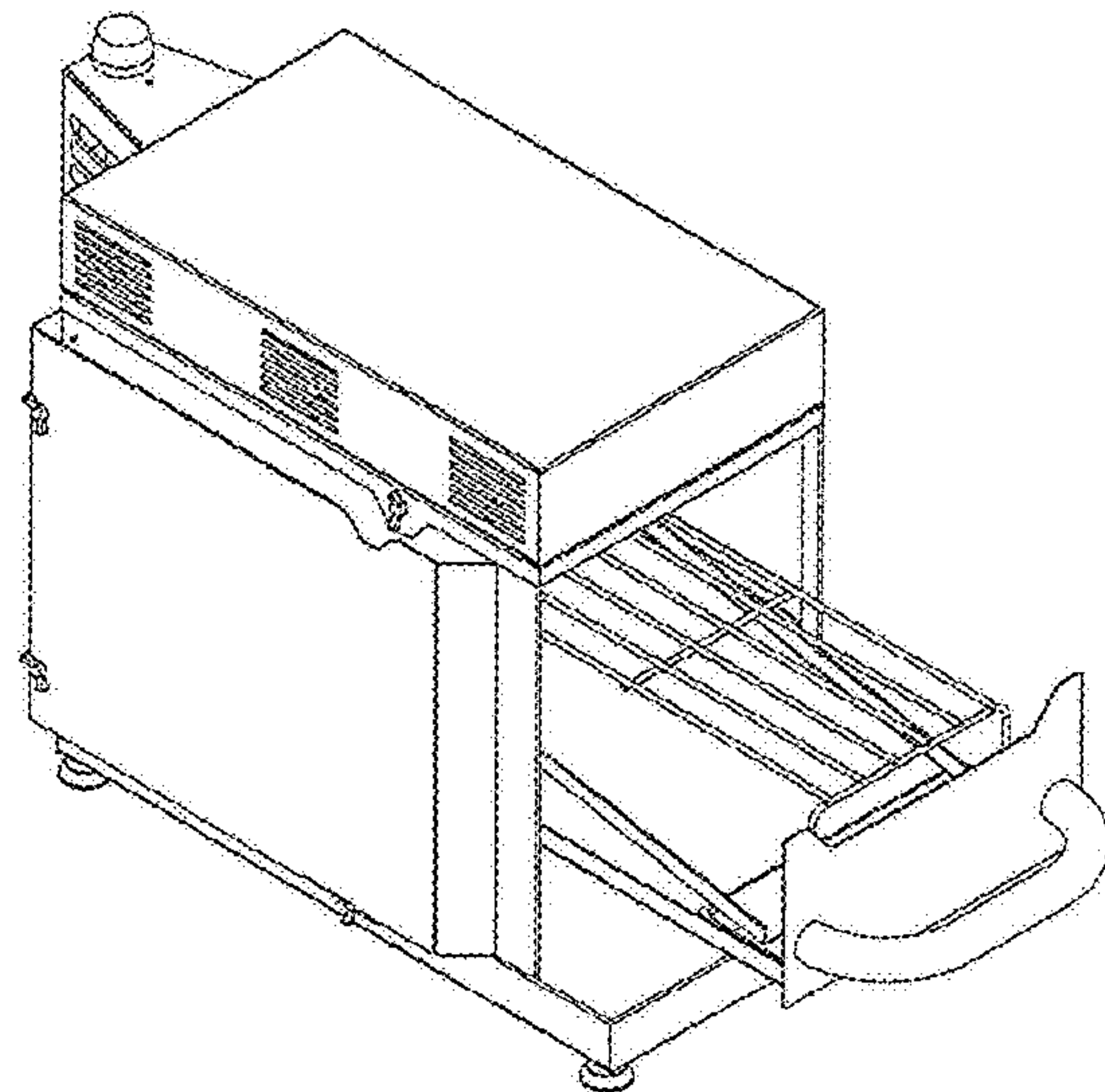


FIG 4

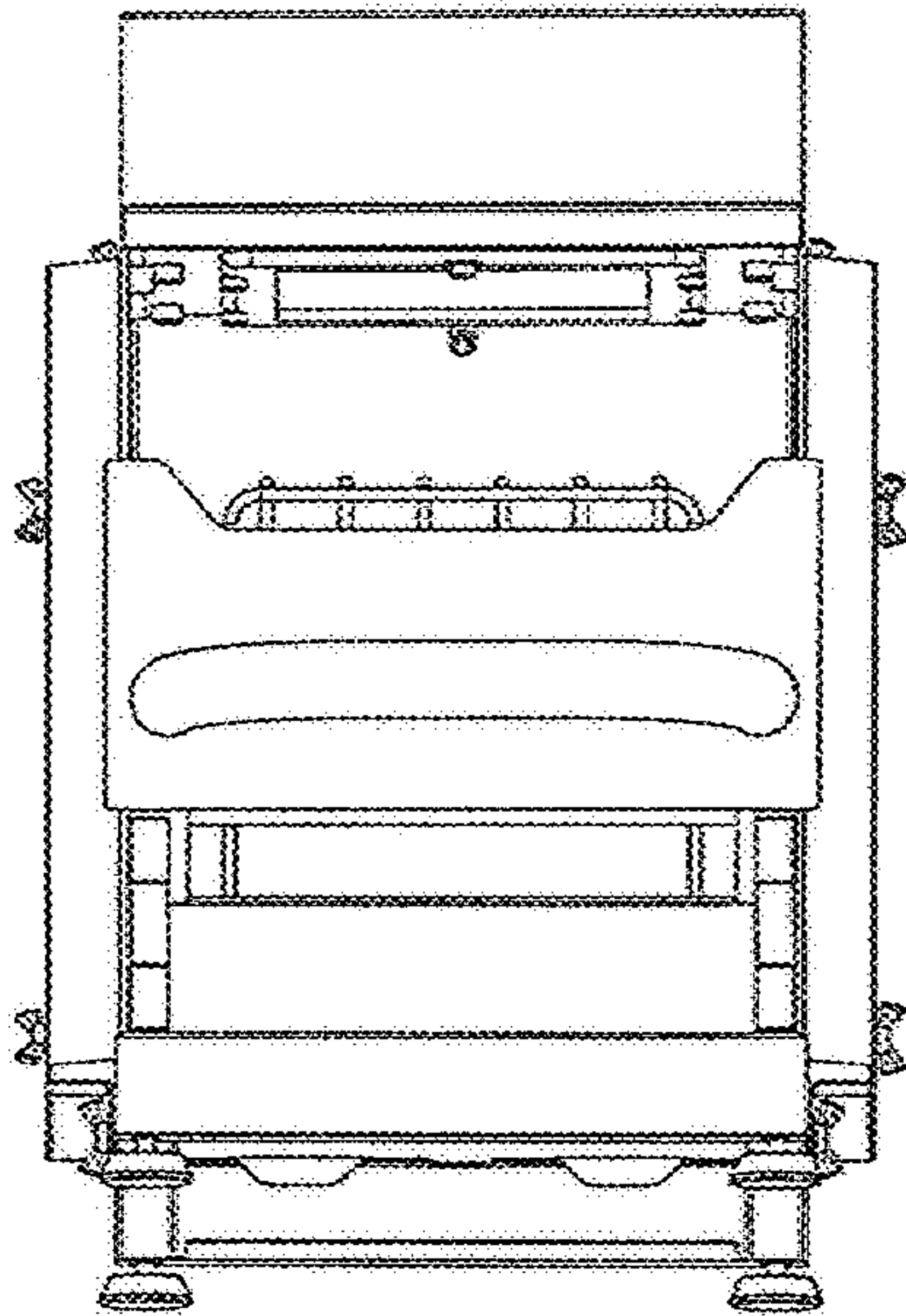


FIG 5

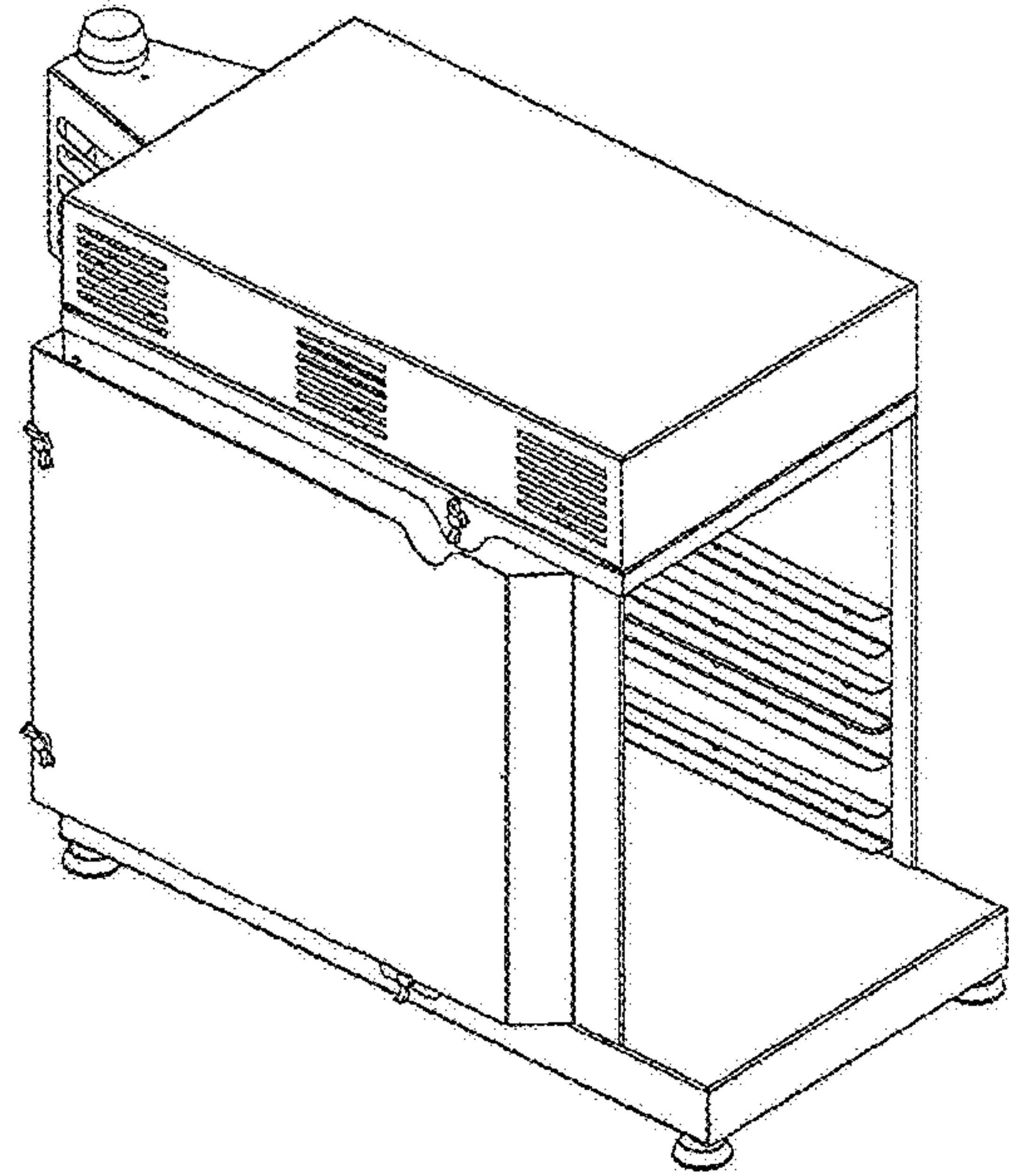


FIG 6

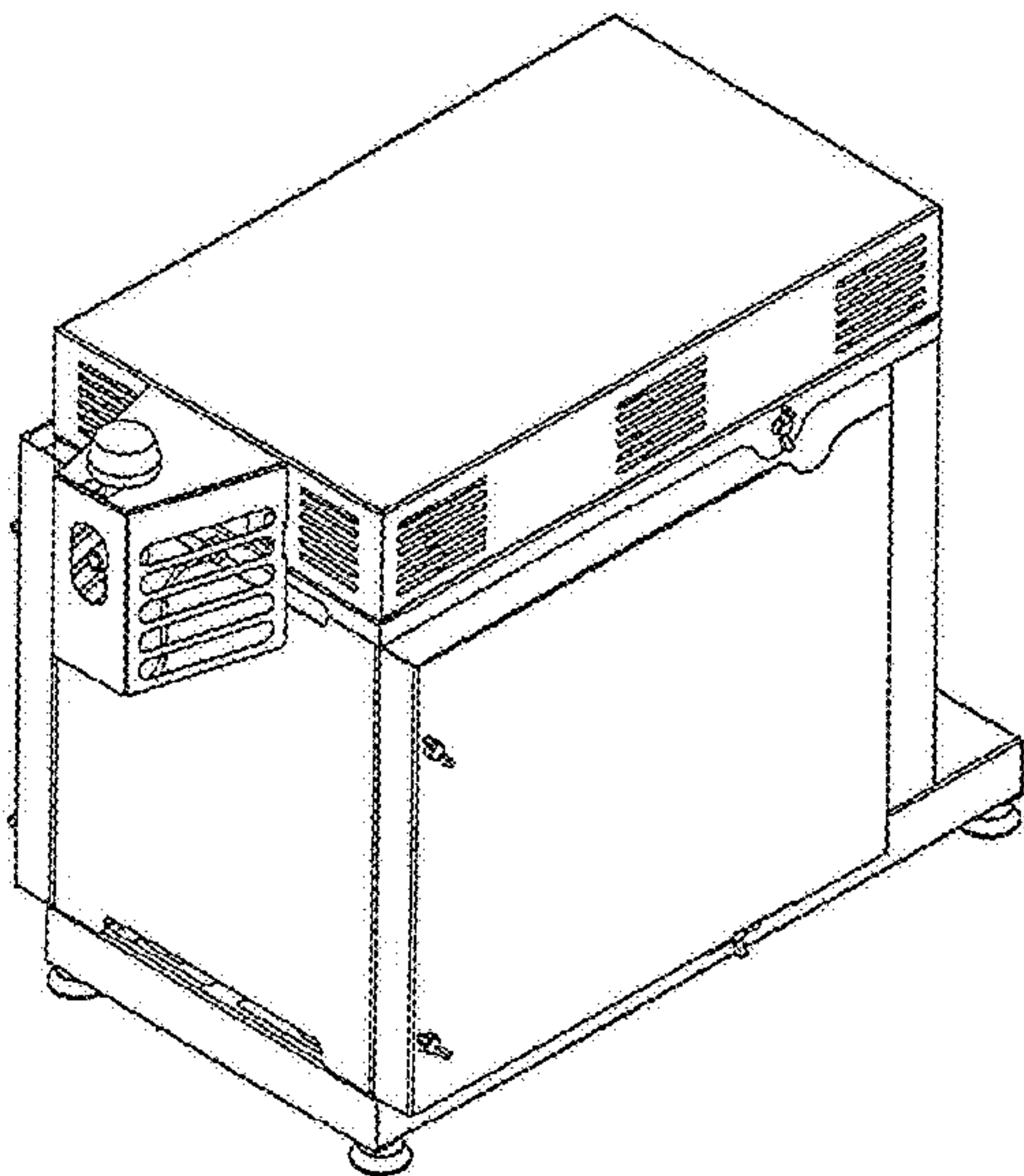


FIG 7

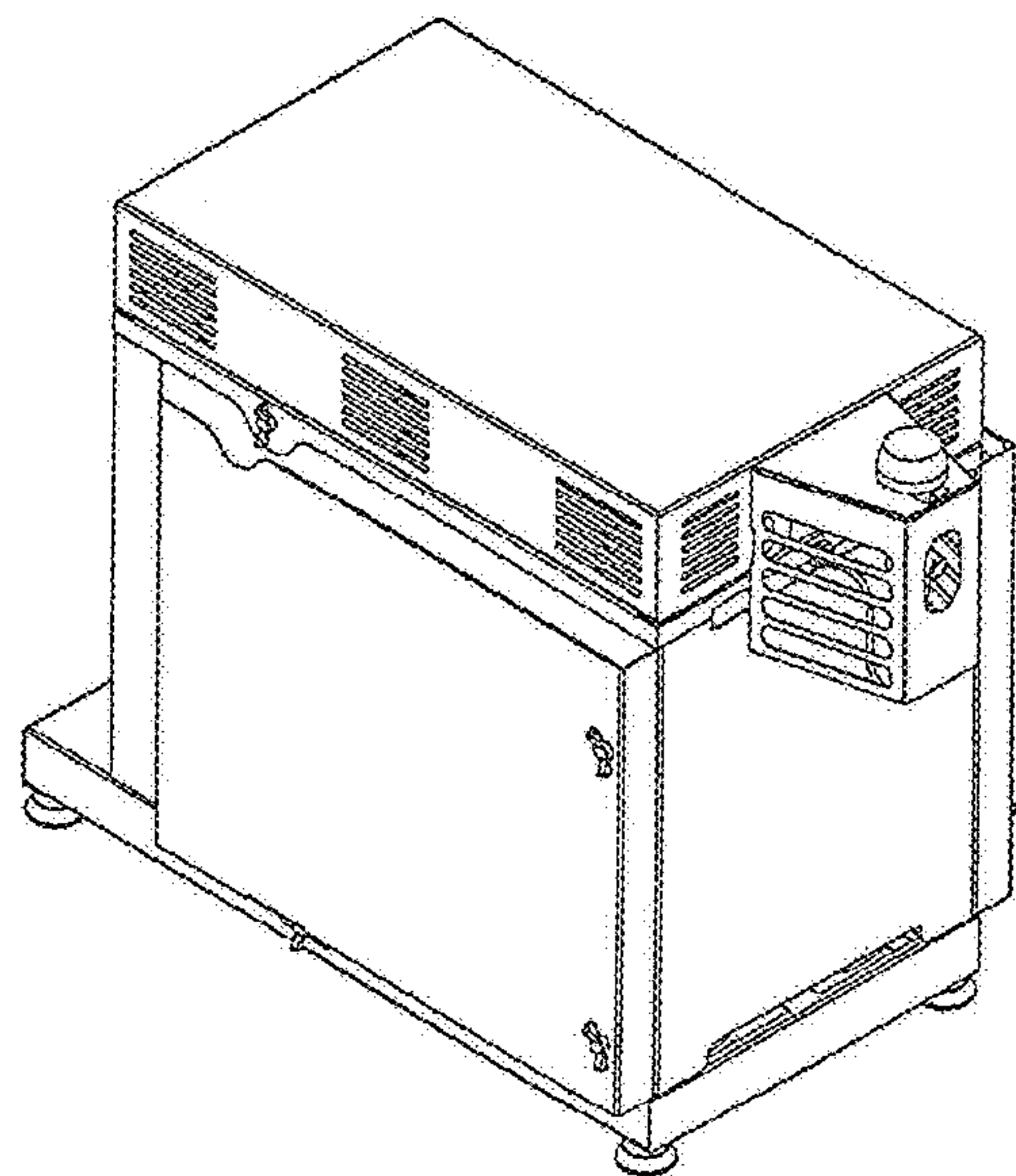


FIG 8

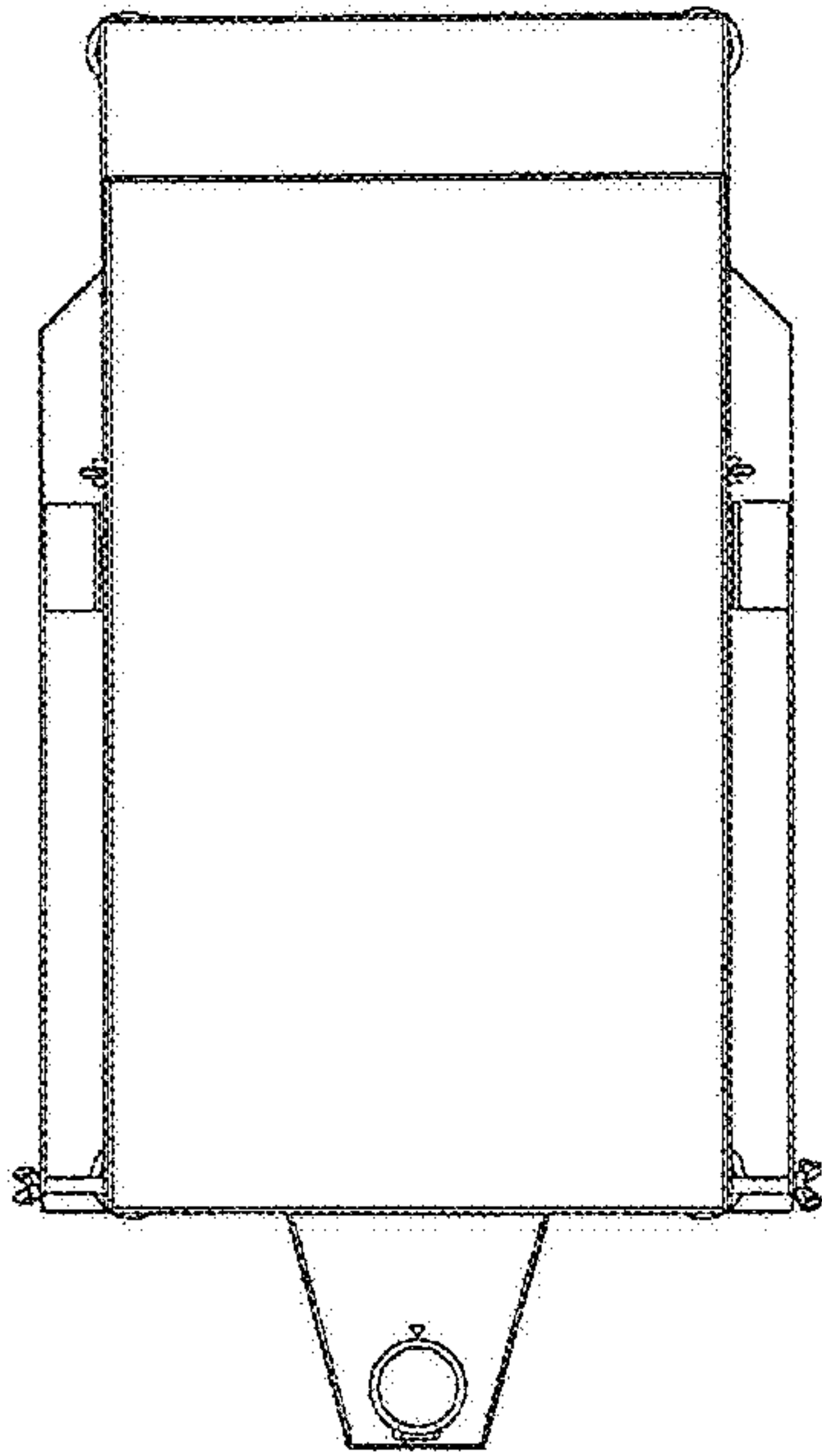


FIG 9

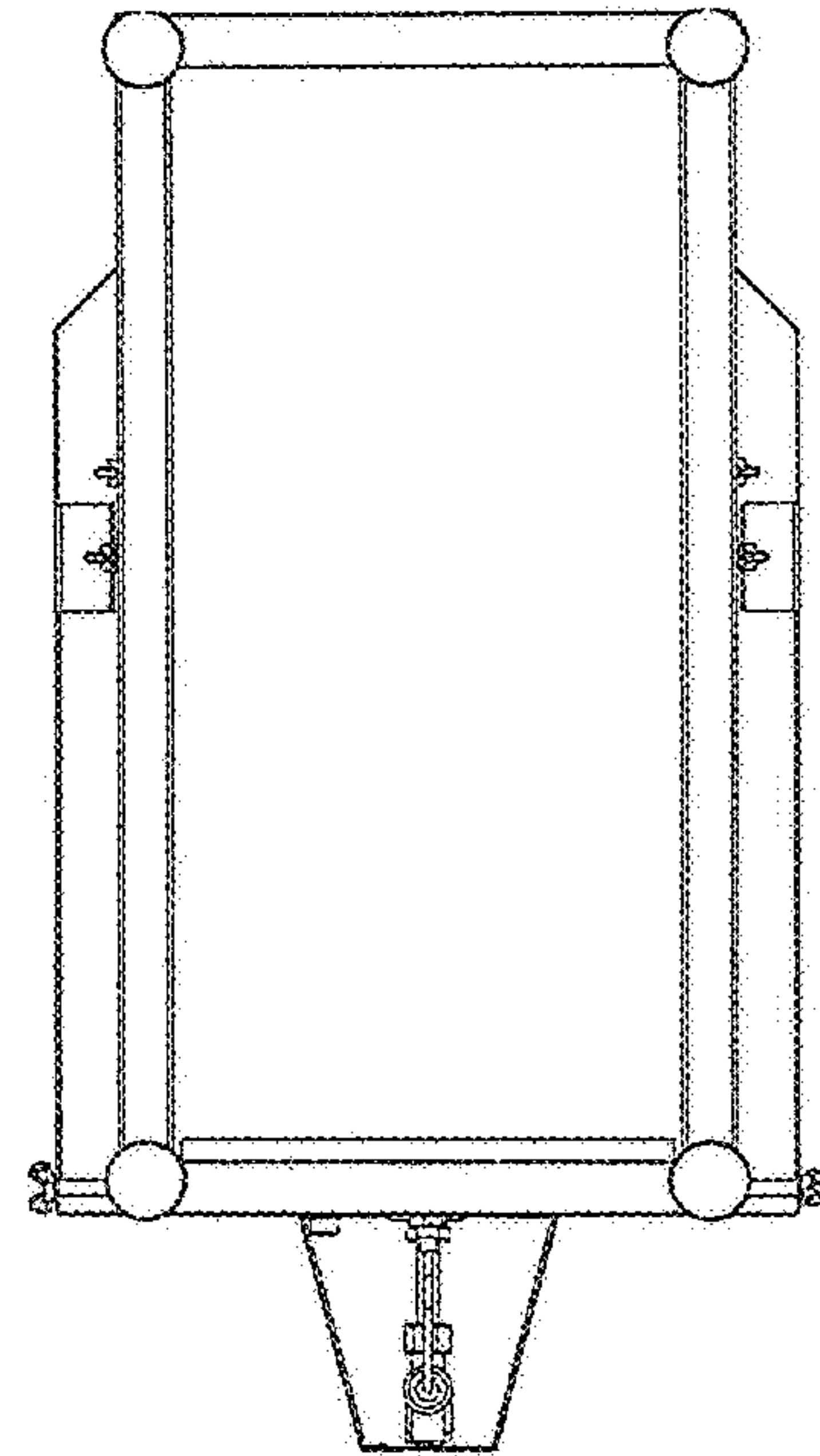


FIG 10

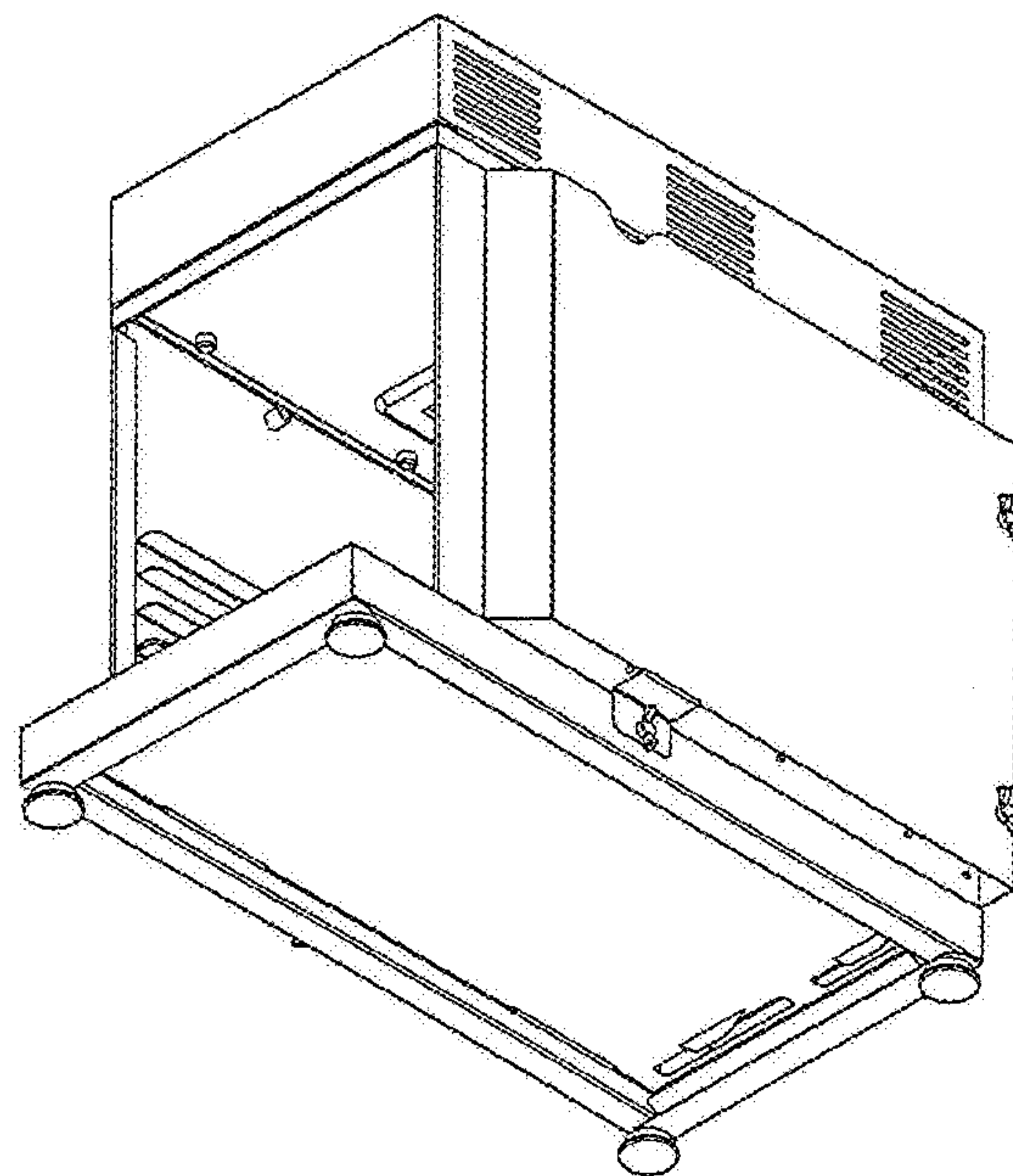


FIG 11

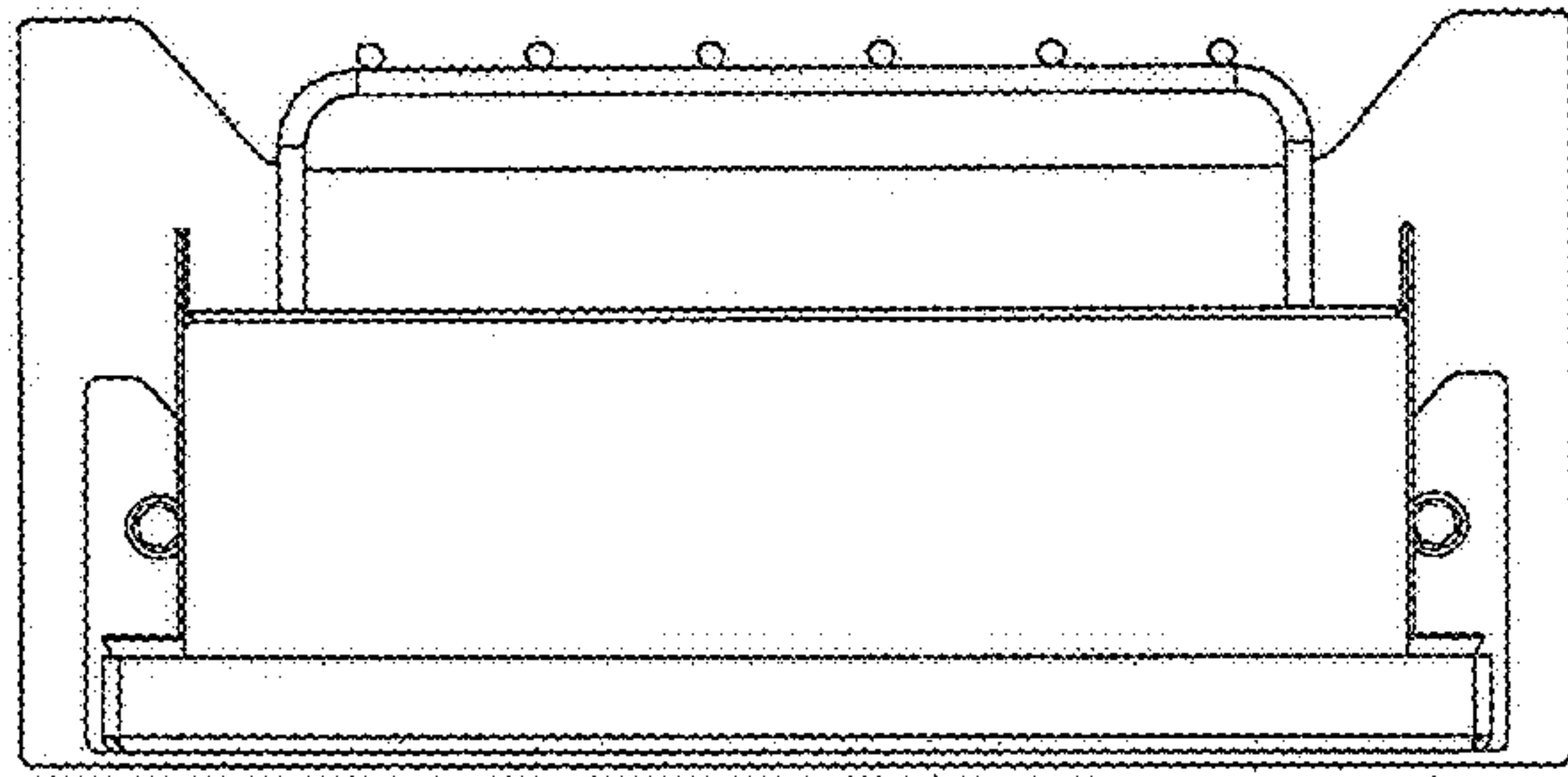


FIG 12

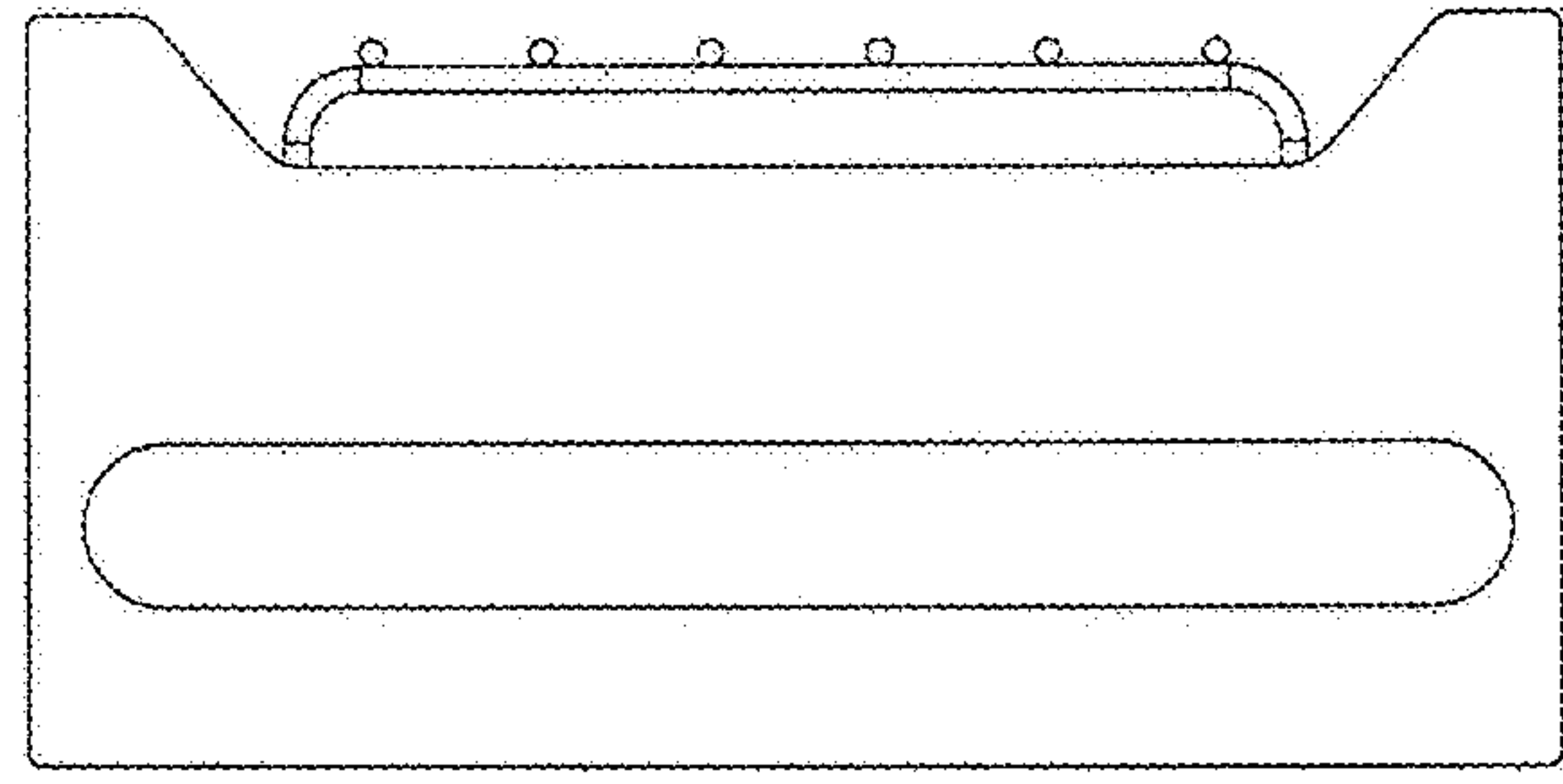


FIG 13

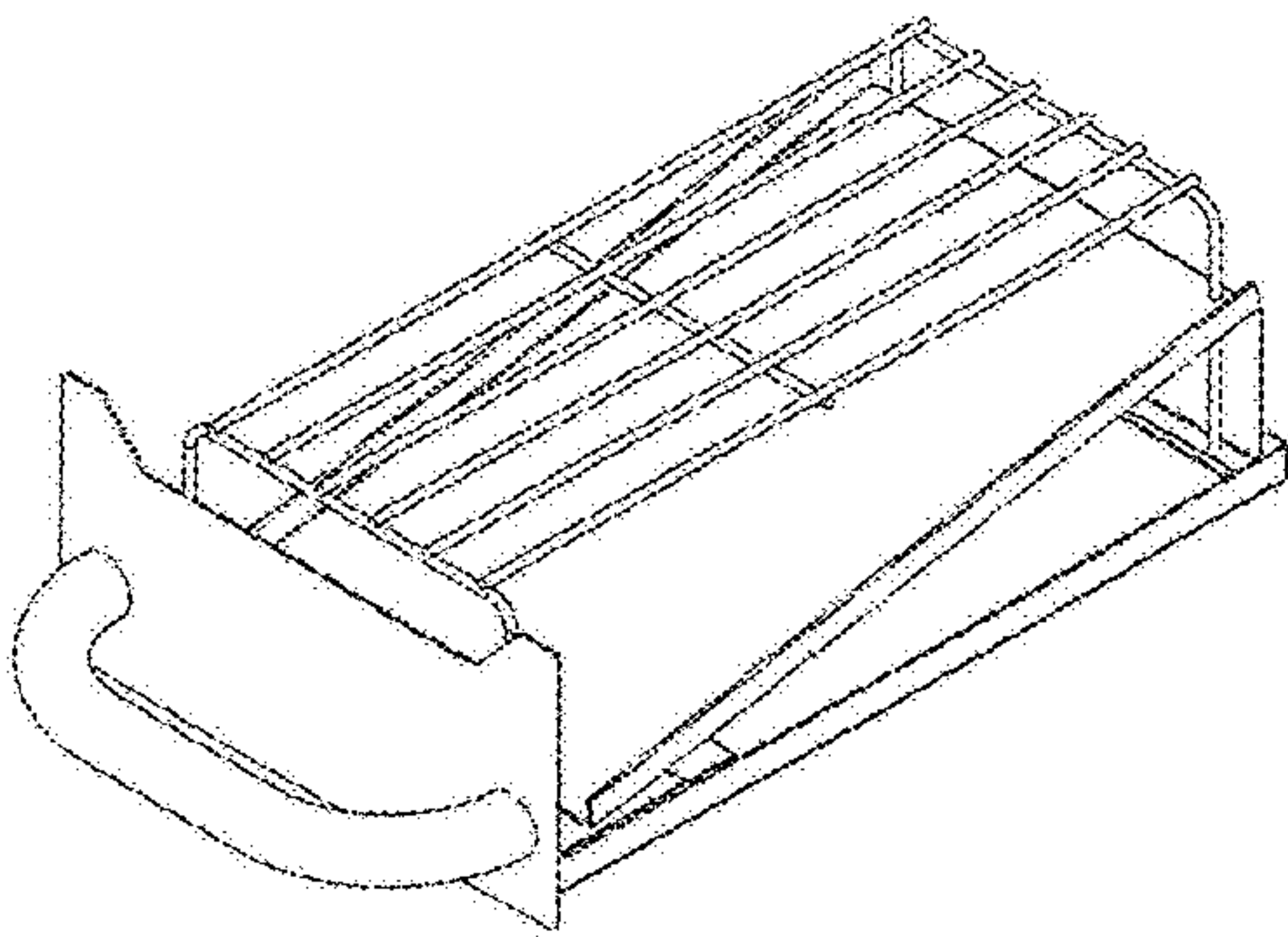


FIG 14

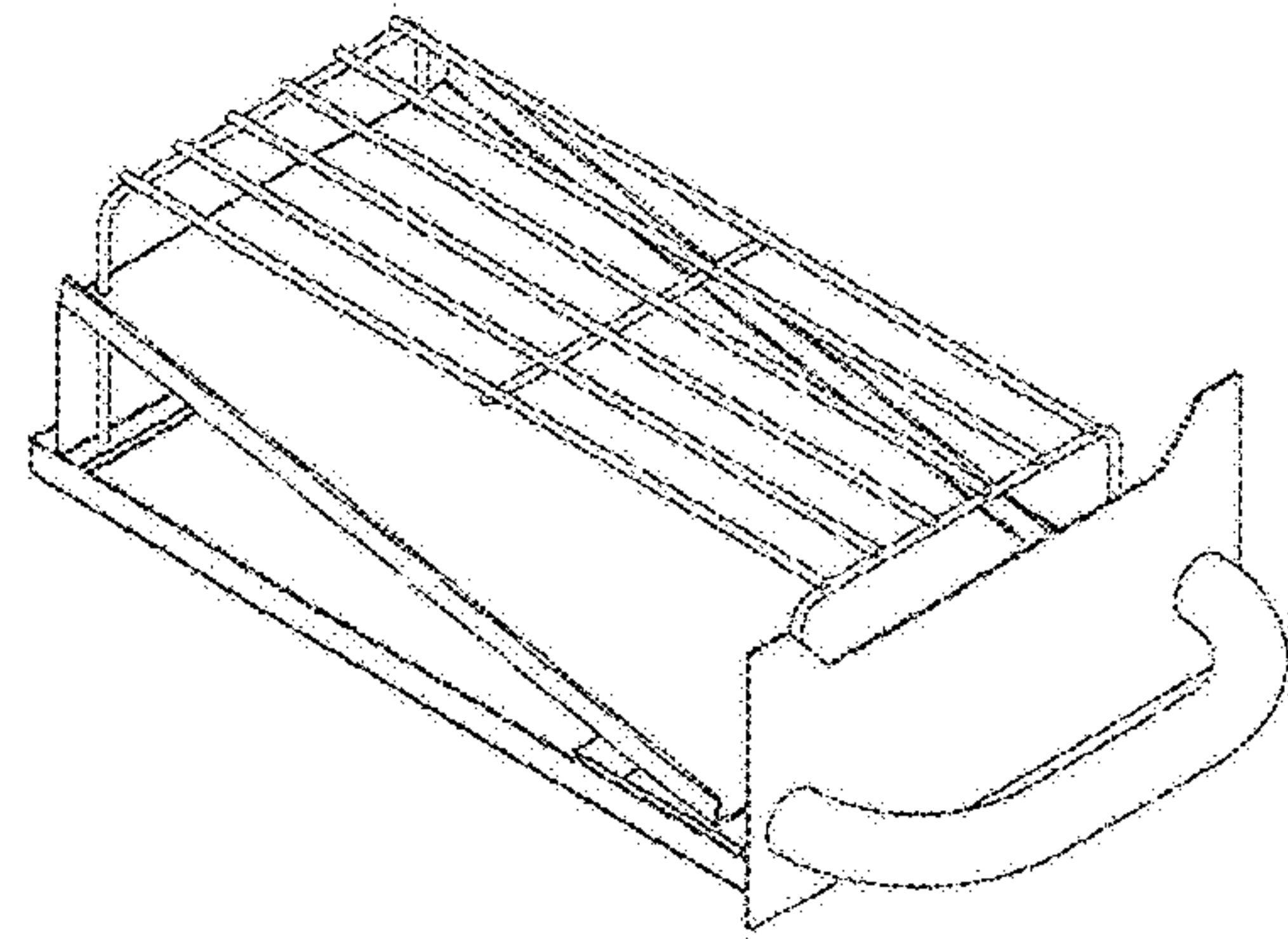


FIG 15

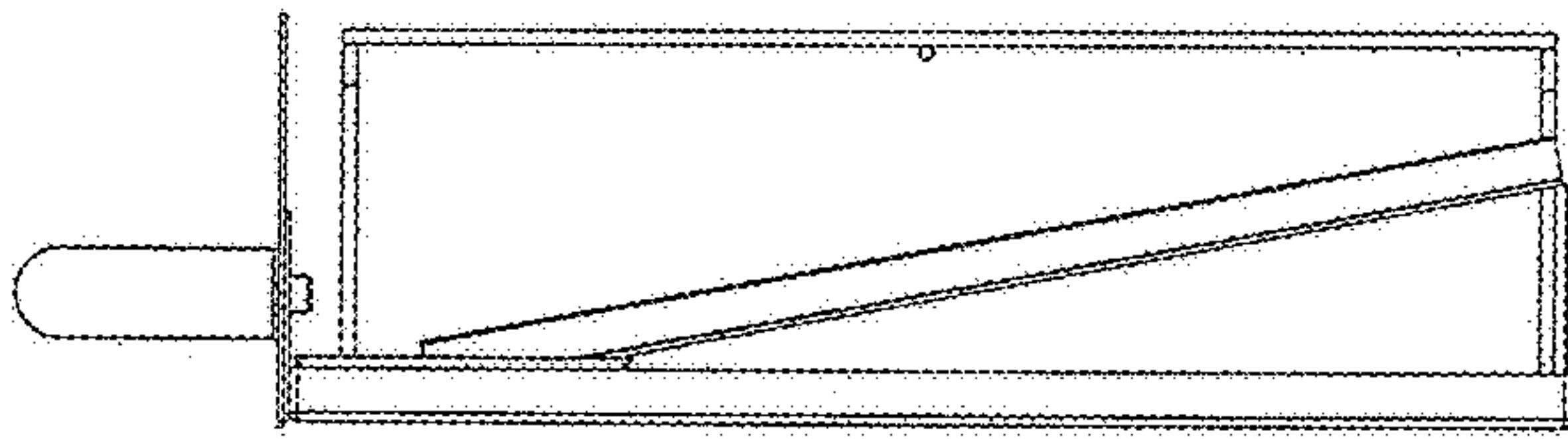


FIG 16

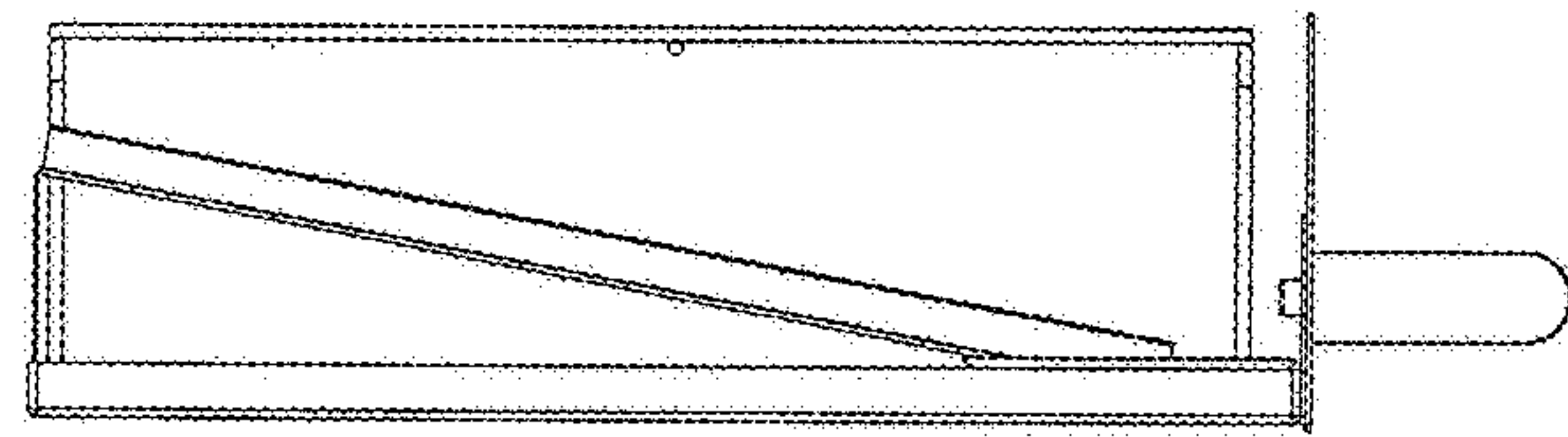


FIG 17

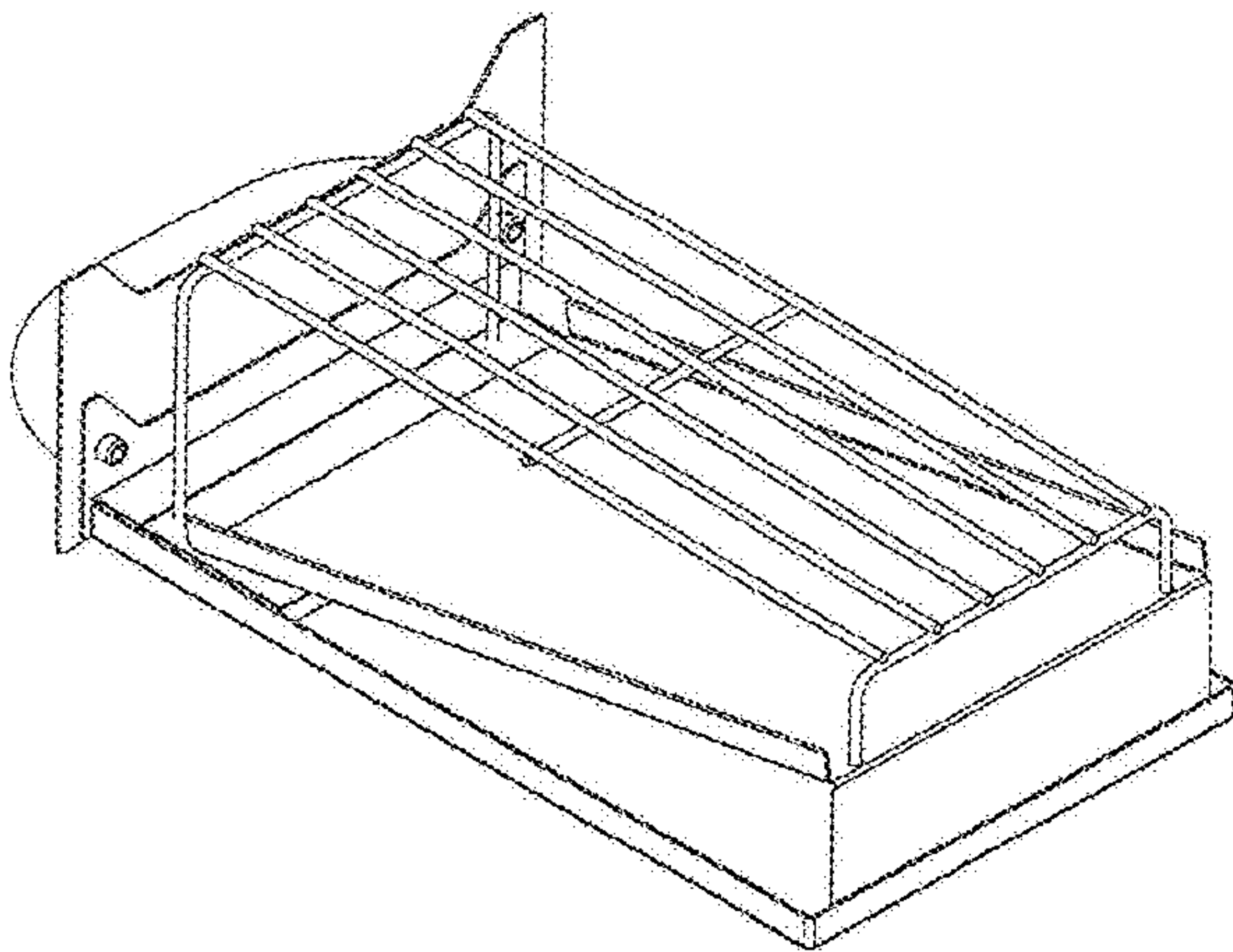


FIG 18

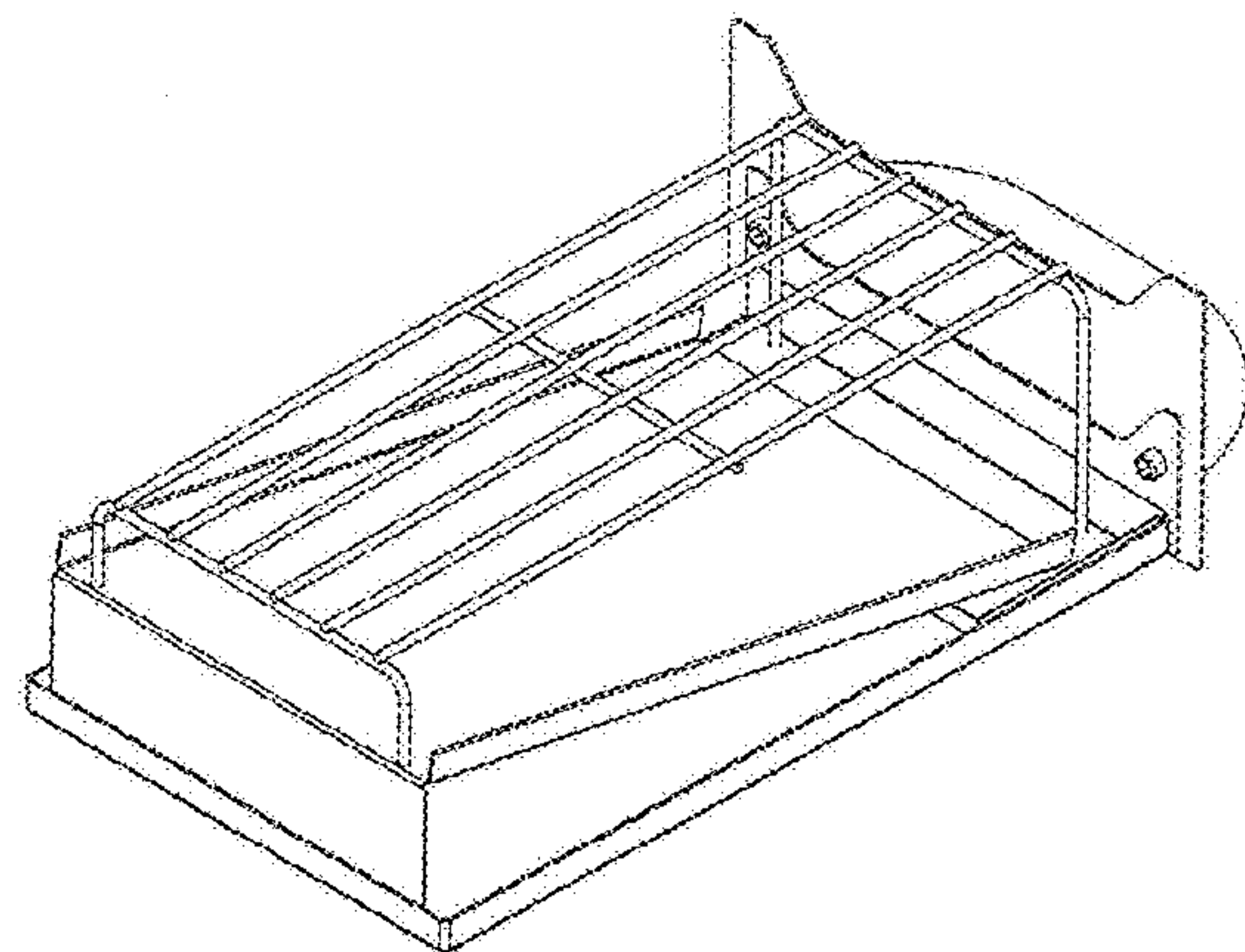


FIG 19

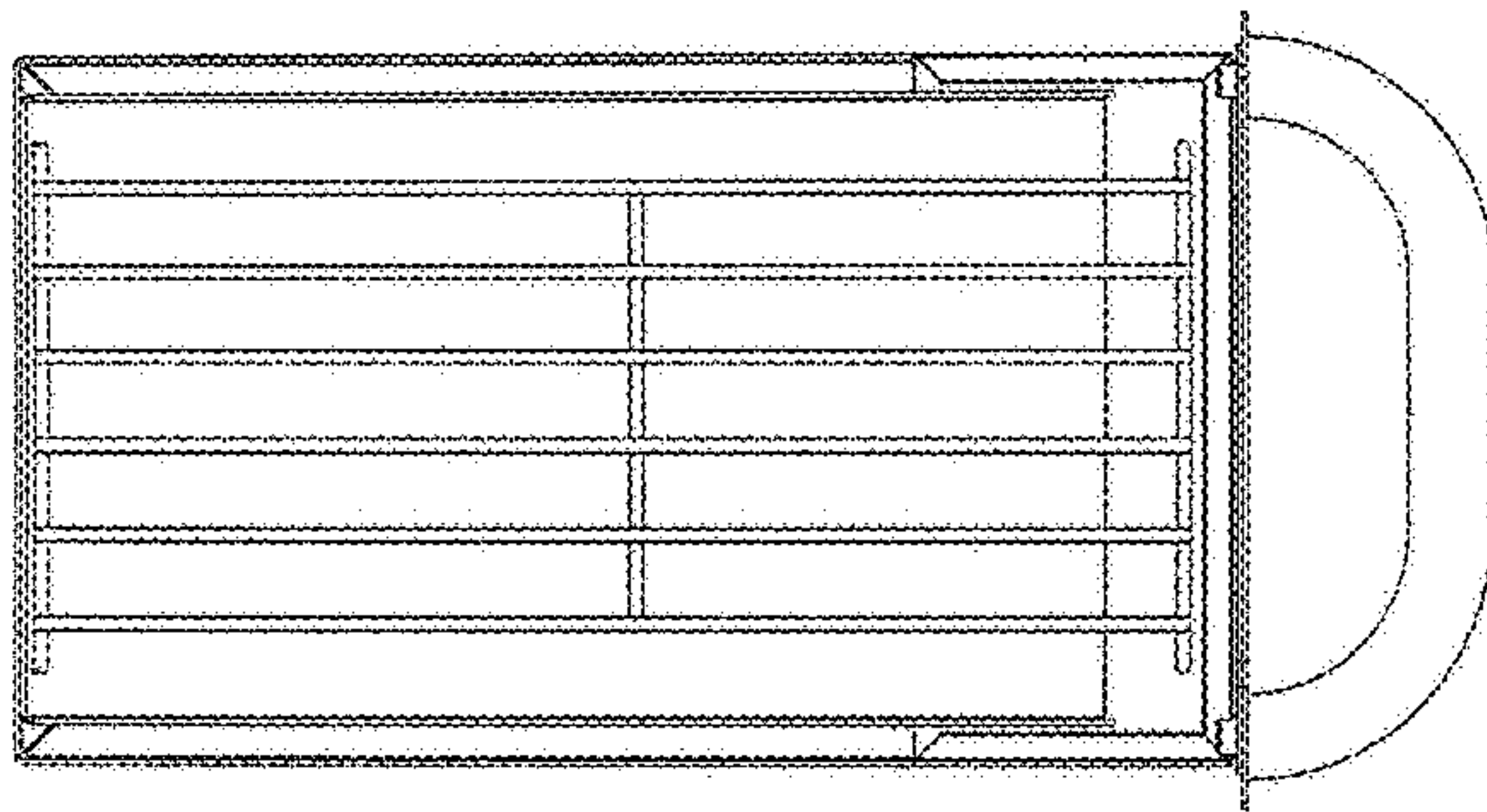


FIG 20

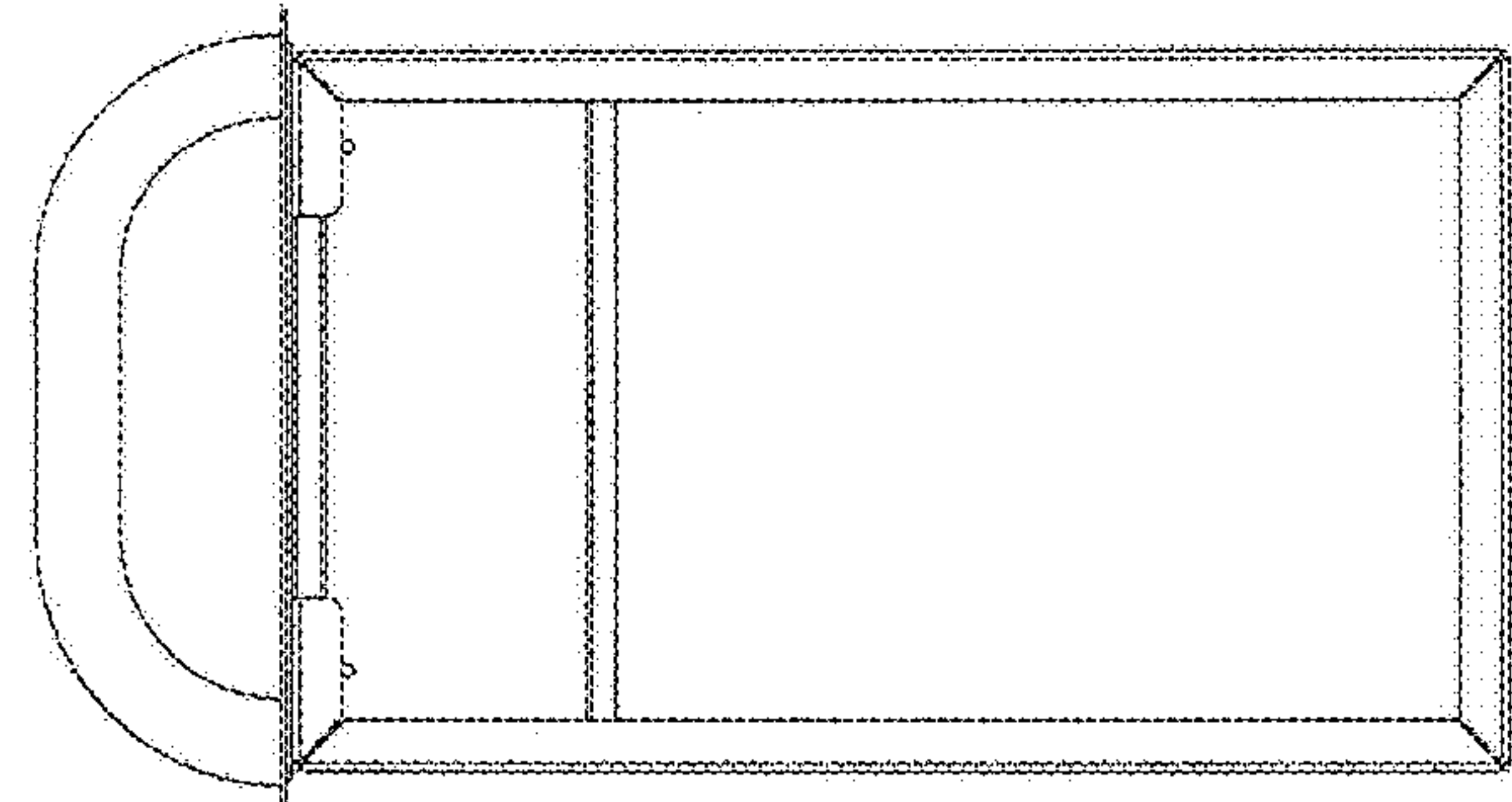


FIG 21