



US00D842632S

(12) **United States Design Patent**  
**Fenimore et al.**

(10) **Patent No.:** **US D842,632 S**  
(45) **Date of Patent:** **\*\* Mar. 12, 2019**

(54) **DISPLAY STAND**

(71) Applicant: **Mascot Marketing, Inc.**, Bradenton,  
FL (US)  
(72) Inventors: **J. Scott Fenimore**, Tierra Verde, FL  
(US); **Matthew Stutsman**, Carson City,  
NV (US)  
(73) Assignee: **Mascot Marketing, Inc.**, Bradenton,  
FL (US)

(\*\*) Term: **15 Years**

(21) Appl. No.: **29/635,269**

(22) Filed: **Jan. 30, 2018**

(51) **LOC (11) Cl.** ..... **06-06**

(52) **U.S. Cl.**  
USPC ..... **D6/682**

(58) **Field of Classification Search**  
USPC ..... D6/672, 673, 675, 675.1, 682; D34/21,  
D34/38  
CPC ..... A47B 57/00; A47B 81/00; B25H 1/06;  
B25H 1/00; B65D 9/00; B65D 9/06;  
B65D 19/0002; B65D 19/0004  
See application file for complete search history.

(56) **References Cited**

**U.S. PATENT DOCUMENTS**

D242,889 S \* 1/1977 Hillman ..... D6/682.6  
D296,281 S \* 6/1988 Boglitsch ..... D6/682.2  
D326,963 S \* 6/1992 Harrelson ..... 211/59.1

D368,184 S \* 3/1996 Eley ..... D6/406.4  
D412,074 S \* 7/1999 DeWitt ..... D6/672  
D525,807 S \* 8/2006 Pinco ..... D6/682  
D584,075 S \* 1/2009 Hung ..... D14/239  
D733,088 S \* 6/2015 Garneau ..... D14/172  
D744,770 S \* 12/2015 Middendorf ..... D6/662.1  
D756,137 S \* 5/2016 Abelmann ..... D6/336  
D779,859 S \* 2/2017 Richardson ..... D6/675.3  
D806,447 S \* 1/2018 Burton ..... D6/657  
D806,448 S \* 1/2018 Burton ..... D6/657  
D807,086 S \* 1/2018 Tio ..... D6/675  
D815,864 S \* 4/2018 Burton ..... D6/675  
D825,234 S \* 8/2018 He ..... D6/675.4  
D830,743 S \* 10/2018 Demircift ..... D6/672

\* cited by examiner

*Primary Examiner* — Kelley A Donnelly

(74) *Attorney, Agent, or Firm* — GrayRobinson, P.A.

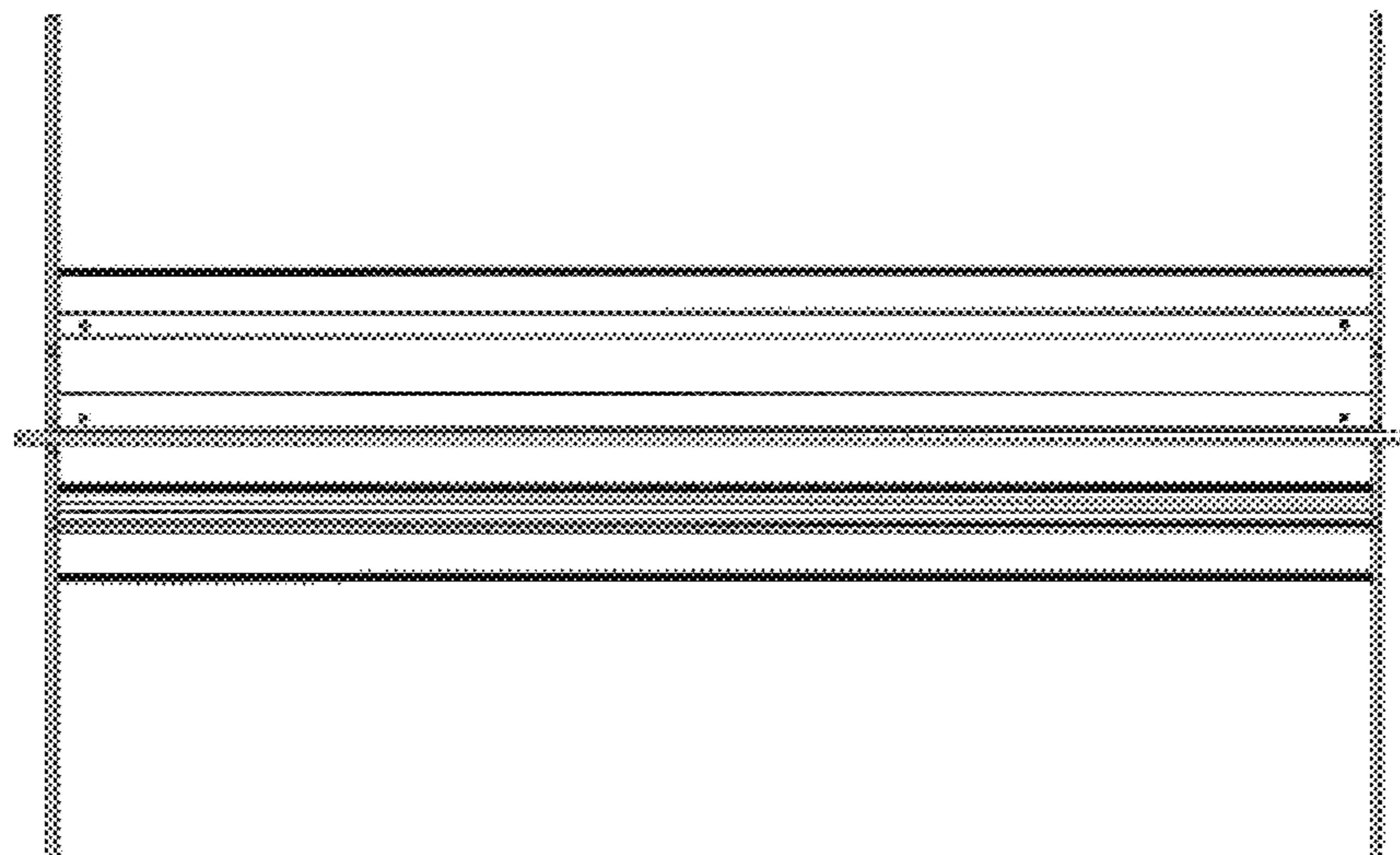
(57) **CLAIM**

The ornamental design for a display stand, as shown and described.

**DESCRIPTION**

FIG. 1 is a top elevational view of the display stand of our new design;  
FIG. 2 is a right elevational view thereof;  
FIG. 3 is a left elevational view thereof;  
FIG. 4 is a front perspective view thereof;  
FIG. 5 is a front elevational view thereof;  
FIG. 6 is a rear elevational view thereof; and,  
FIG. 7 is bottom elevational view thereof.

**1 Claim, 7 Drawing Sheets**



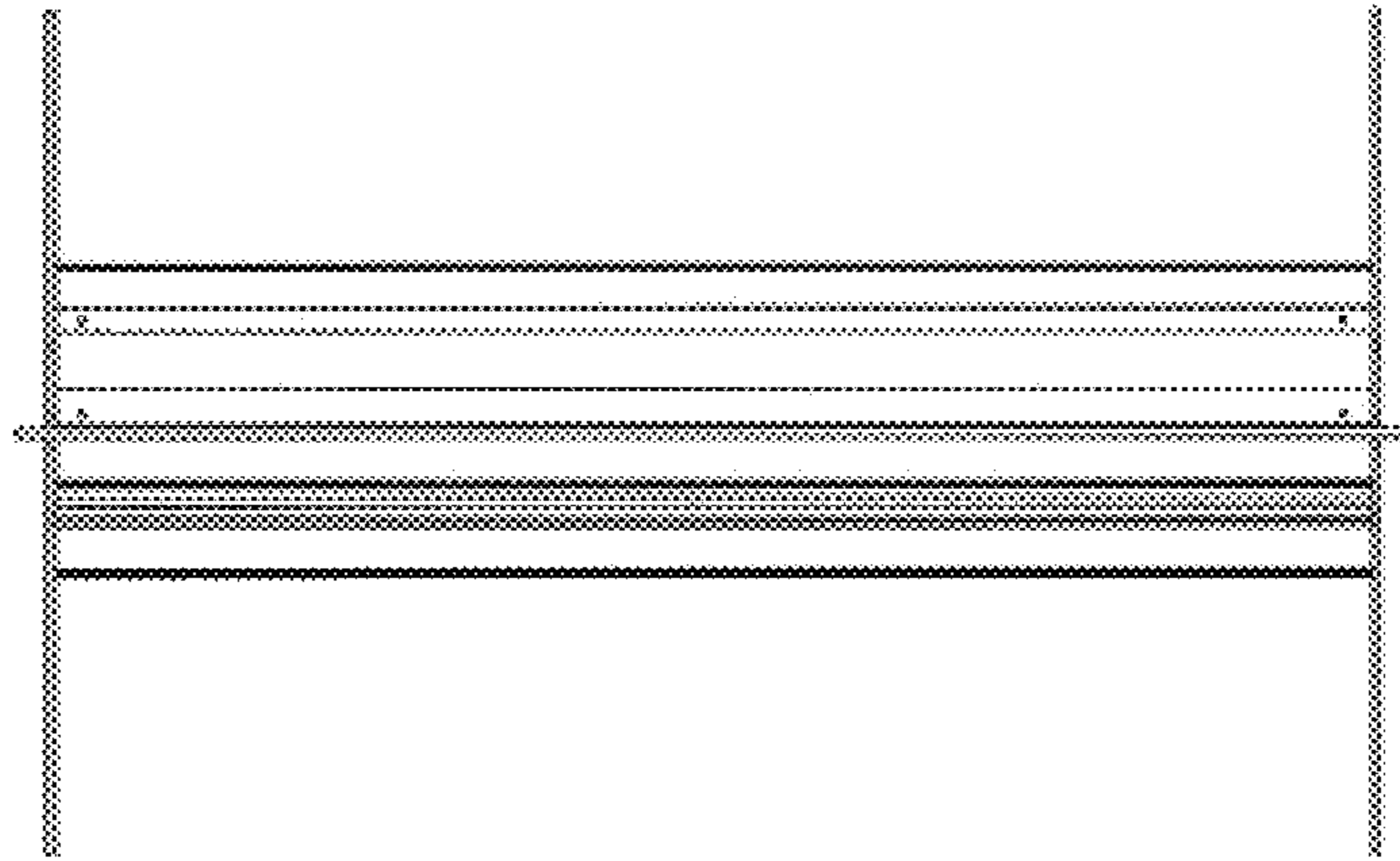


Fig. 1

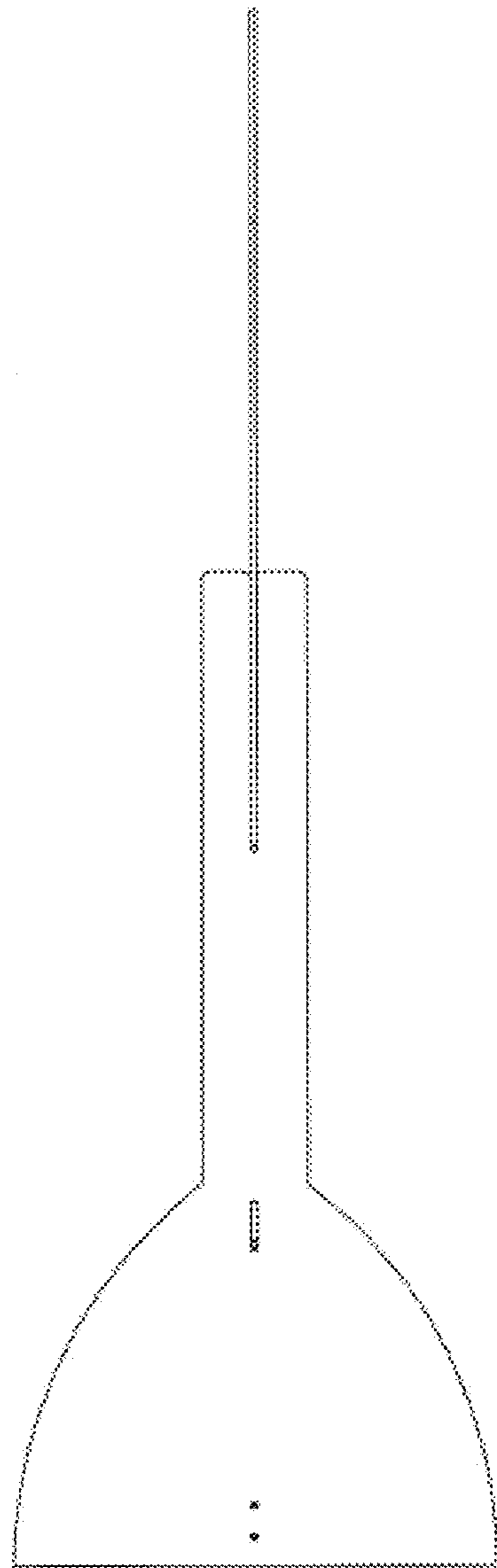


Fig. 2

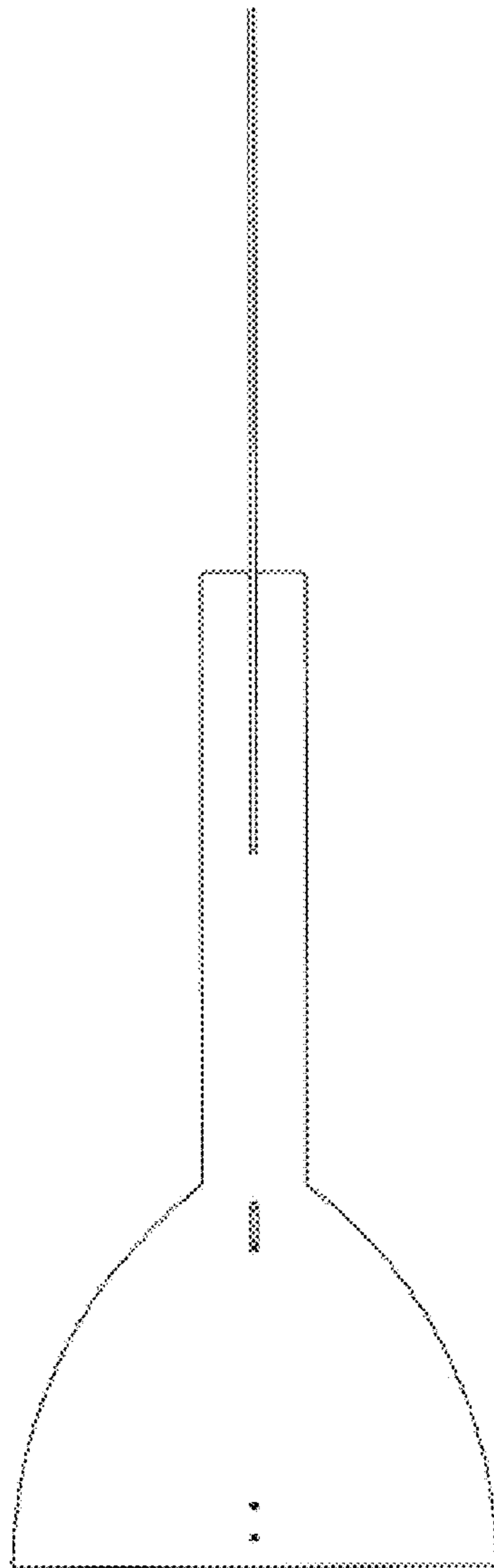


Fig. 3

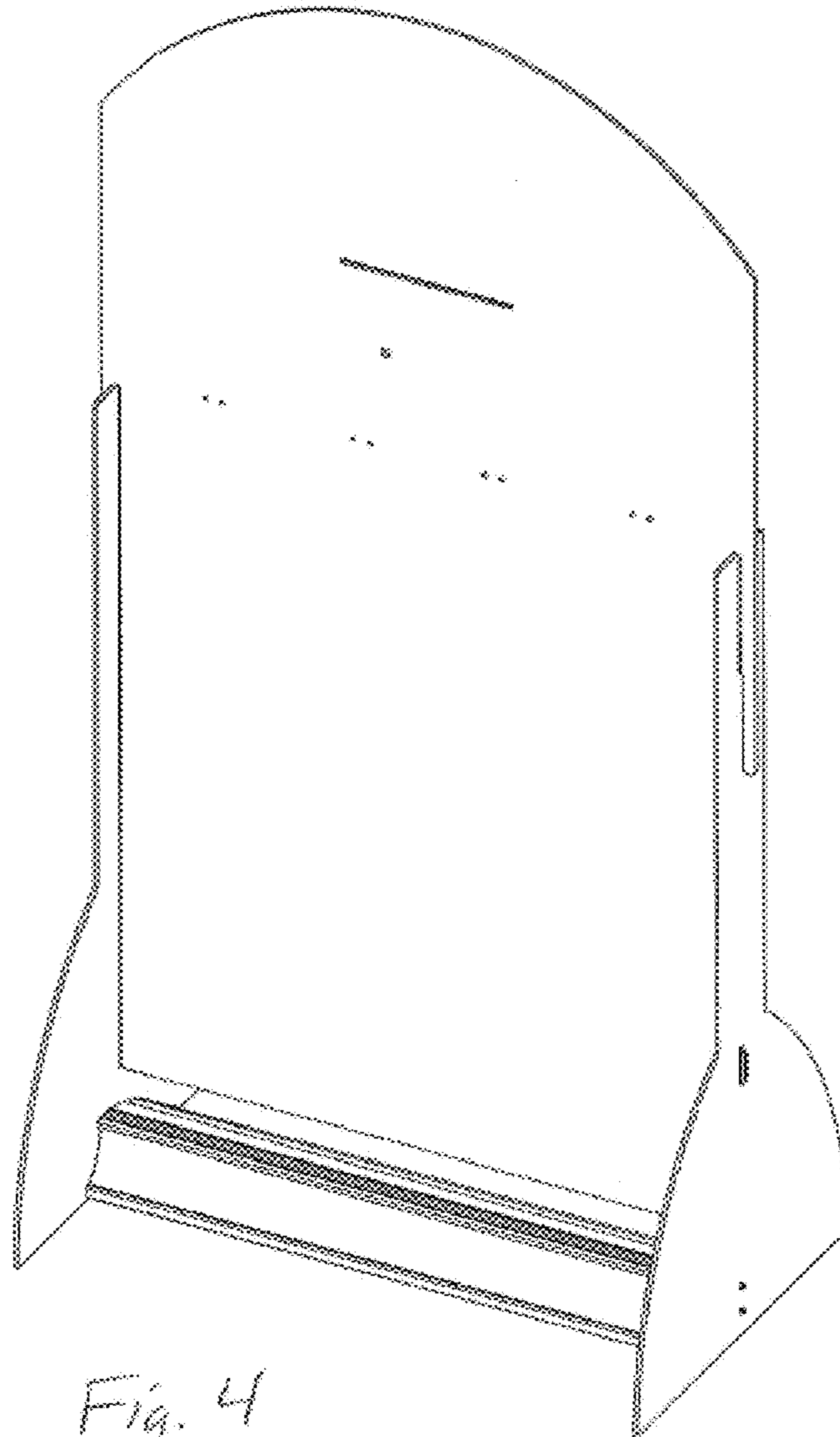


Fig. 4

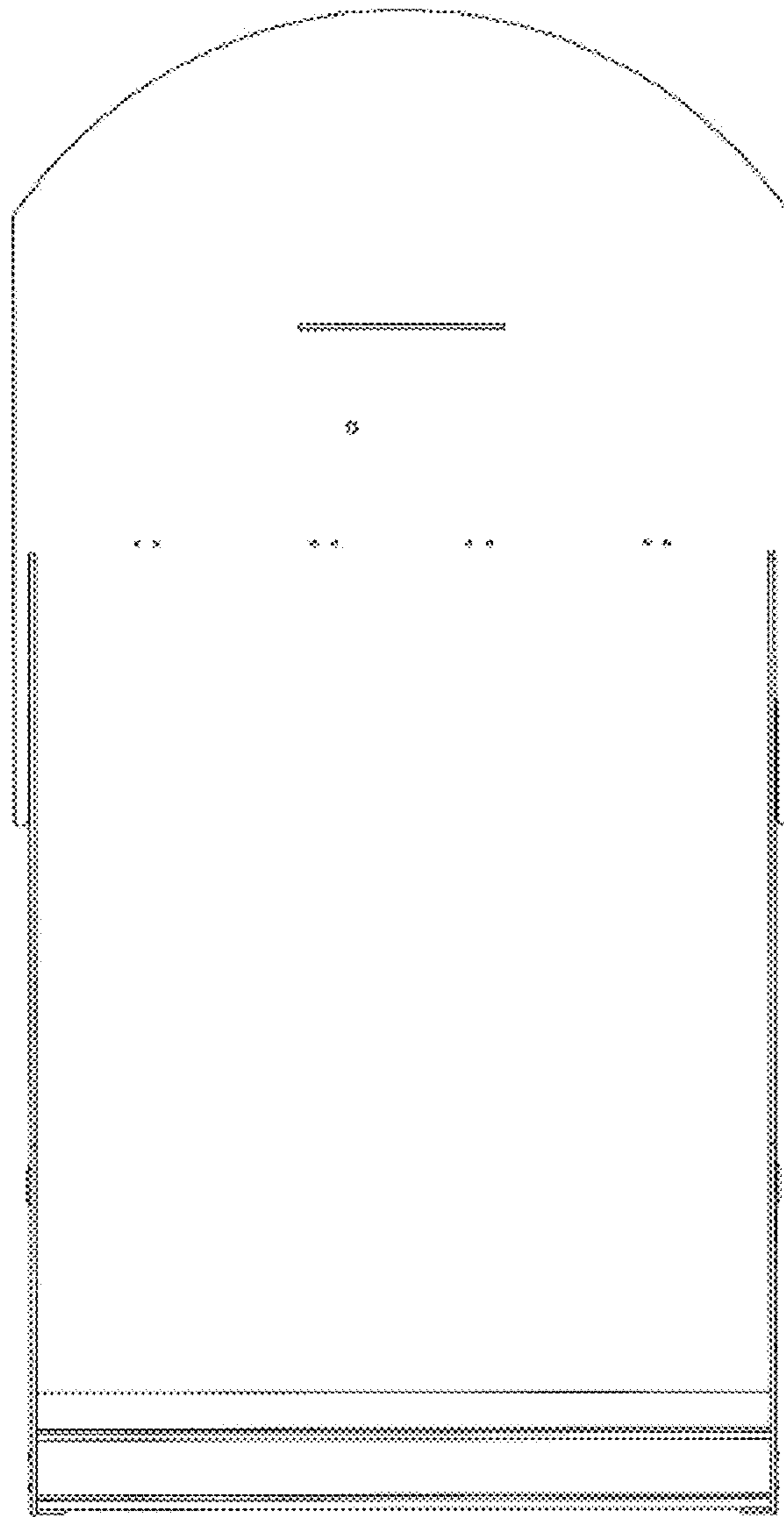


Fig. 5

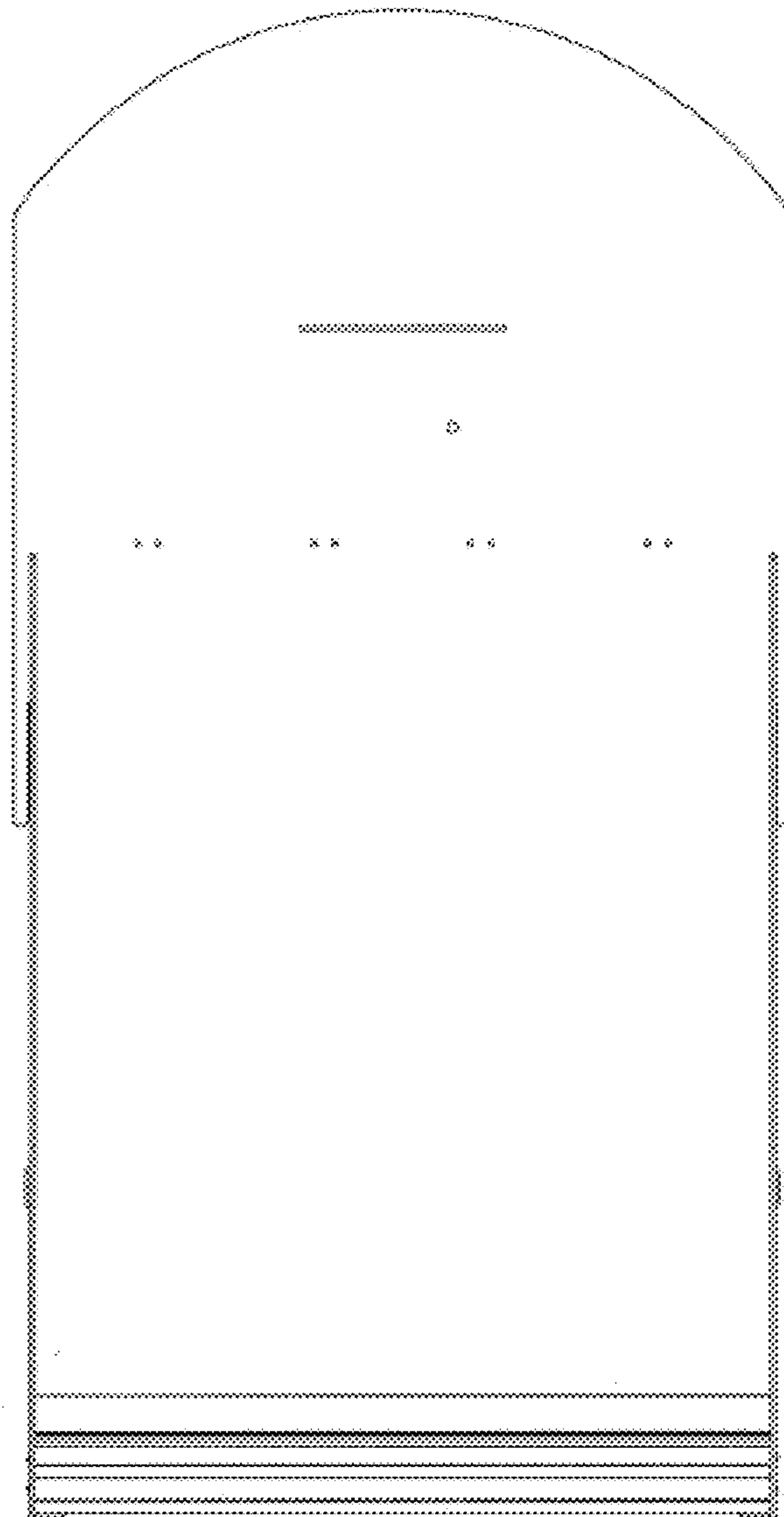


Fig. 6

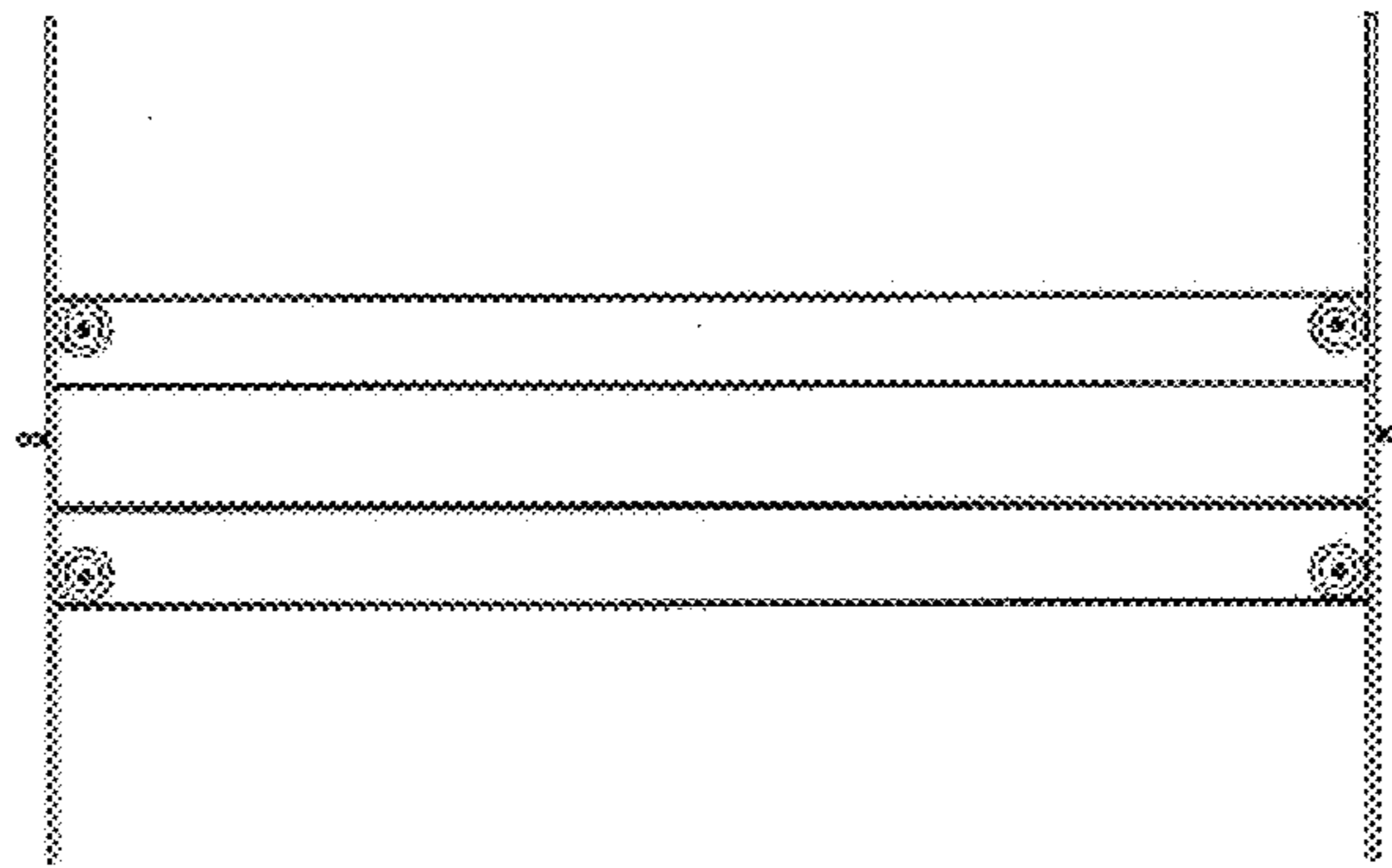


Fig. 7