



US00D842631S

(12) **United States Design Patent** (10) **Patent No.:** **US D842,631 S**  
**Radford et al.** (45) **Date of Patent:** **\*\* Mar. 12, 2019**

(54) **PRODUCT DISPLAY STAND**

(71) Applicant: **Wm. WRIGLEY Jr. Company,**  
Chicago, IL (US)

(72) Inventors: **John Mark Radford,** Reading (GB);  
**Jerome Marcel Morgen,** Reading  
(GB); **Dudley Roberts,** Baldock (GB)

(73) Assignee: **Wm. Wrigley Jr. Company,** Chicago,  
IL (US)

(\*\*) Term: **15 Years**

(21) Appl. No.: **29/638,380**

(22) Filed: **Feb. 27, 2018**

(51) **LOC (11) Cl.** ..... **06-06**

(52) **U.S. Cl.**  
USPC ..... **D6/675.4**

(58) **Field of Classification Search**  
USPC ..... D7/589-590, 601; D6/515, 517, 675,  
D6/675.4, 683

CPC .. A47F 5/00; A47F 5/0018; A47F 5/10; A47F  
7/0007; A47F 7/0014

See application file for complete search history.

(56) **References Cited**

**U.S. PATENT DOCUMENTS**

2,155,190 A \* 4/1939 Heinz ..... A47F 5/116  
211/135  
D183,143 S \* 7/1958 Rickert ..... D6/675.4  
D284,049 S \* 6/1986 Nathan ..... D19/92  
D327,998 S \* 7/1992 Williams ..... D6/406.6  
5,271,515 A 12/1993 Berkheimer et al.

(Continued)

*Primary Examiner* — Kelley A Donnelly

(74) *Attorney, Agent, or Firm* — Brinks Gilson & Lione

(57) **CLAIM**

We claim the ornamental design for a product display stand,  
as shown and described.

**DESCRIPTION**

FIG. 1 is a top perspective view of a product display stand  
of the present invention;

FIG. 2 is front elevation view thereof;

FIG. 3; is a right side elevation view thereof, where the right  
side elevation view is a mirror image of the left side  
elevation view;

FIG. 4 is a rear elevation view thereof;

FIG. 5 is a top plan view thereof;

FIG. 6 is a top perspective view of a product display stand  
as shown in FIGS. 1-5 in an embodiment arranged side-by-  
side immediately adjacent another product display stand;

FIG. 7 is a top perspective view of a product display stand  
as shown in FIGS. 1-5 in an embodiment arranged with two  
or more immediately adjacent, side-by-side product display  
stands;

FIG. 8 is a top perspective view of a product display stand  
as shown in FIGS. 1-5 in an embodiment arranged imme-  
diately adjacent in a vertical stack with another product  
display stand;

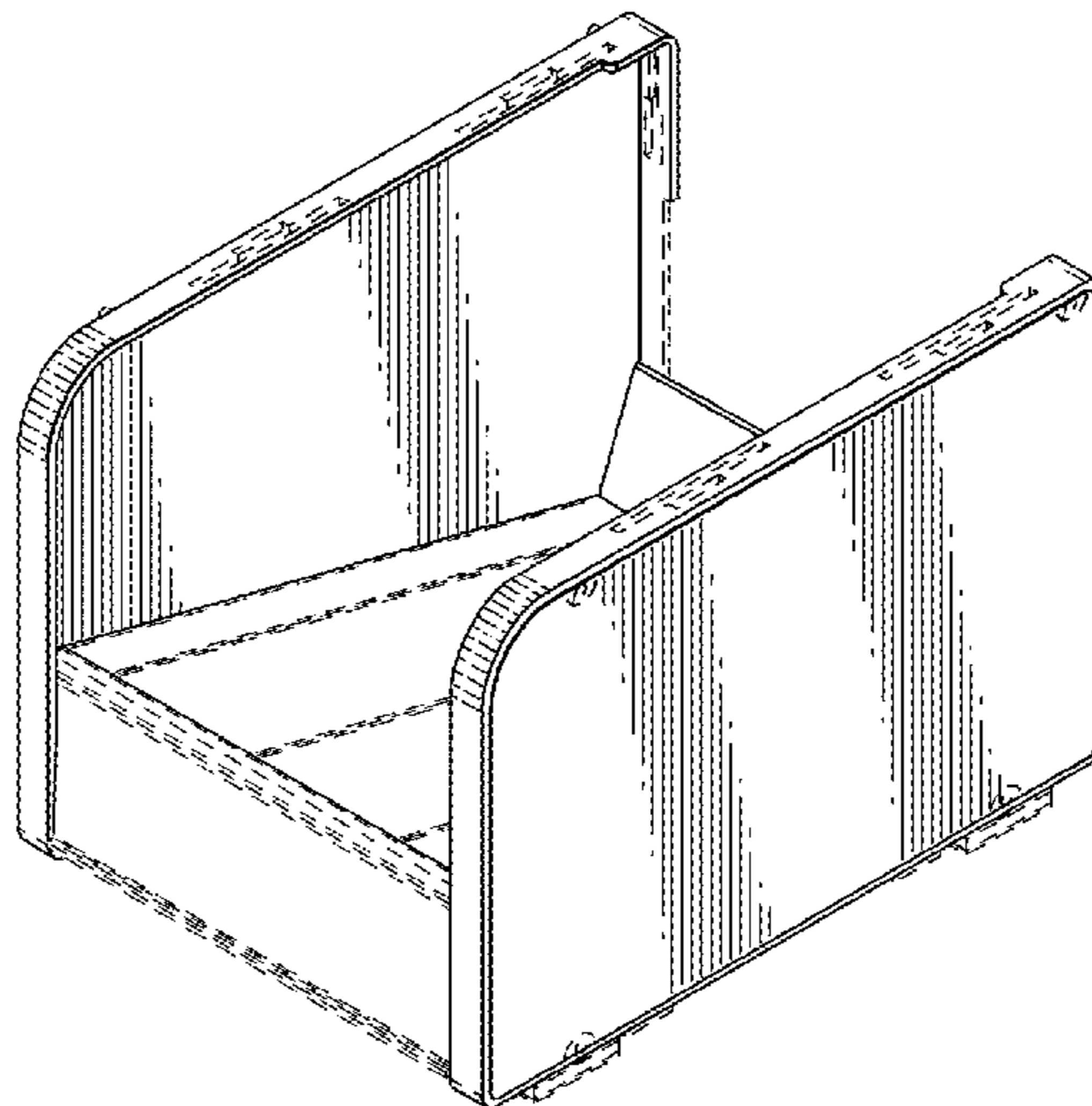
FIG. 9 is a top perspective view of a product display stand  
as shown in FIGS. 1-5 in an embodiment arranged imme-  
diately adjacent in a vertical stack with two or more product  
display stands;

FIG. 10 is a top perspective view of a product display stand  
as shown in FIGS. 1-5 in an embodiment arranged imme-  
diately adjacent in a staggered stack with another product  
display stand; and,

FIG. 11 is a top perspective view of a product display stand  
as shown in FIGS. 1-5 in an embodiment arranged imme-  
diately adjacent in a staggered stack with two or more  
product display stands.

The broken lines shown in the drawings are included for the  
purpose of illustrating environment and form no part of the  
claimed design. The break lines shown in FIGS. 7, 9, and 11  
are not part of the claimed design and represent that no  
particular length is claimed.

**1 Claim, 5 Drawing Sheets**



(56)

References Cited

U.S. PATENT DOCUMENTS

5,429,260 A 7/1995 Vollers  
 5,531,517 A 7/1996 Alpen  
 5,544,751 A 8/1996 Klodt et al.  
 5,549,241 A 8/1996 Correll  
 D389,657 S \* 1/1998 Sigal ..... D6/675.4  
 5,860,527 A 1/1999 Frankenberg et al.  
 D406,478 S \* 3/1999 Rahman ..... D6/683  
 6,062,388 A 5/2000 Ohayon  
 6,409,077 B1 \* 6/2002 Telesca ..... B65D 5/5007  
 206/45.29  
 6,581,772 B2 6/2003 Noland  
 D486,018 S \* 2/2004 Bidwell ..... D6/705  
 6,880,705 B2 4/2005 Otting et al.  
 6,991,106 B2 1/2006 Milliorn  
 7,044,483 B2 5/2006 Robertson et al.  
 7,063,210 B2 6/2006 Smyers et al.  
 D529,755 S 10/2006 Lobman et al.  
 D543,030 S 5/2007 Schäfer  
 7,516,854 B2 4/2009 Brown et al.  
 7,661,549 B2 2/2010 Rae  
 D664,034 S 7/2012 Goto et al.  
 8,342,329 B2 1/2013 Kobilarcik et al.

D700,070 S \* 2/2014 Markovic ..... D9/431  
 8,640,871 B2 2/2014 Moss  
 D715,641 S \* 10/2014 Spinos ..... D9/432  
 8,973,811 B2 3/2015 McLeod et al.  
 8,997,993 B2 4/2015 Shapiro  
 9,056,694 B2 6/2015 Aksan et al.  
 9,101,212 B2 8/2015 De Roeck  
 D781,625 S \* 3/2017 Poniatowski ..... D6/683  
 D795,060 S \* 8/2017 Talios ..... D9/432  
 D815,240 S \* 4/2018 Holmberg ..... D22/113  
 D821,195 S \* 6/2018 Kioroglou ..... D9/430  
 2006/0016811 A1 1/2006 Wang  
 2006/0070906 A1 4/2006 Verna et al.  
 2006/0124710 A1 \* 6/2006 Sun ..... B65D 5/2038  
 229/112  
 2006/0237341 A1 10/2006 McDade  
 2007/0080089 A1 4/2007 Anschutz  
 2008/0110190 A1 5/2008 Ramsey  
 2008/0112782 A1 5/2008 Leahy et al.  
 2008/0121253 A1 5/2008 Shotwell  
 2008/0128414 A1 6/2008 Braun  
 2009/0178989 A1 7/2009 Accuardi  
 2009/0184021 A1 7/2009 Ötting et al.  
 2011/0139665 A1 6/2011 Madsen

\* cited by examiner

Fig. 1

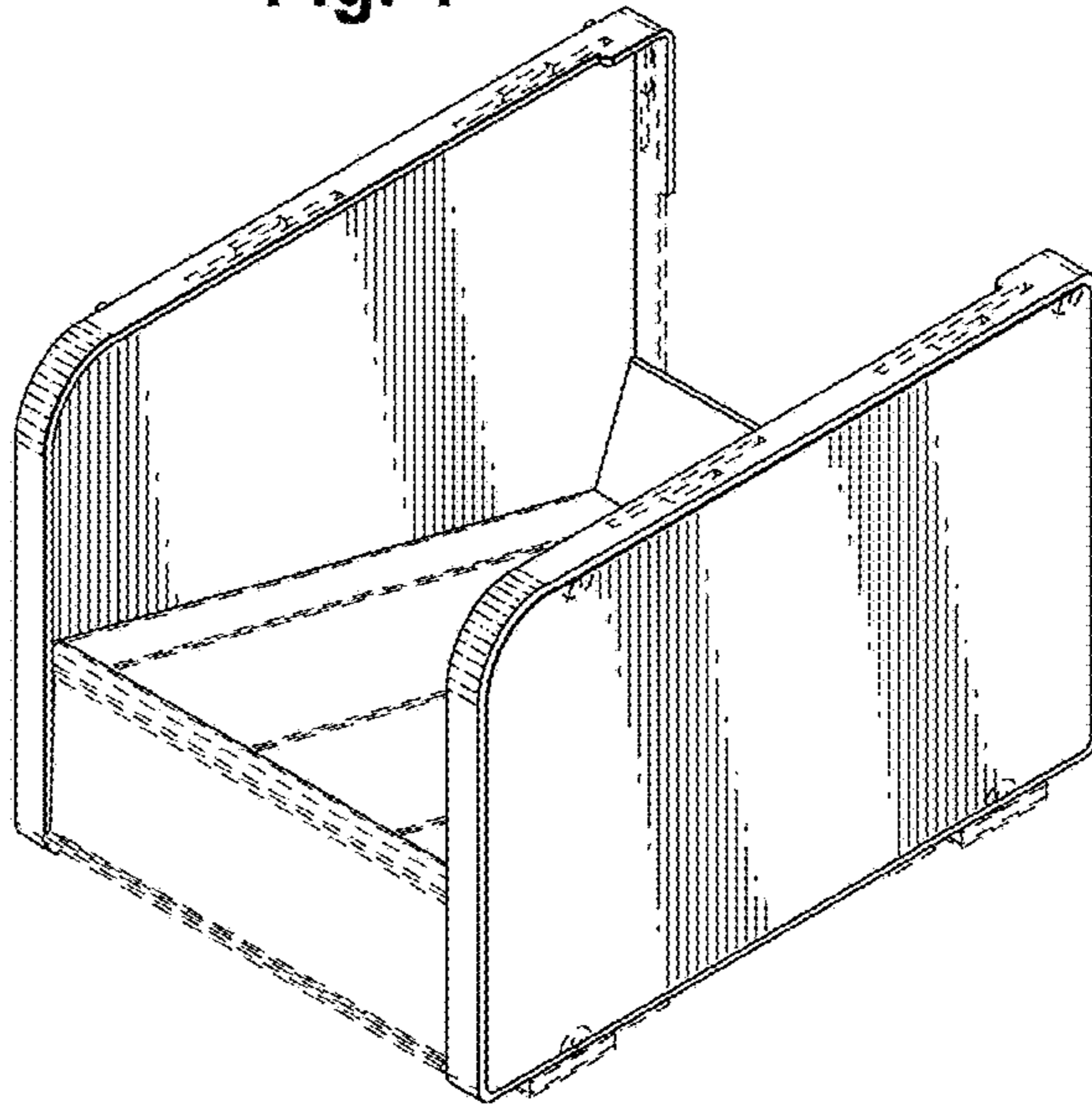


Fig. 2

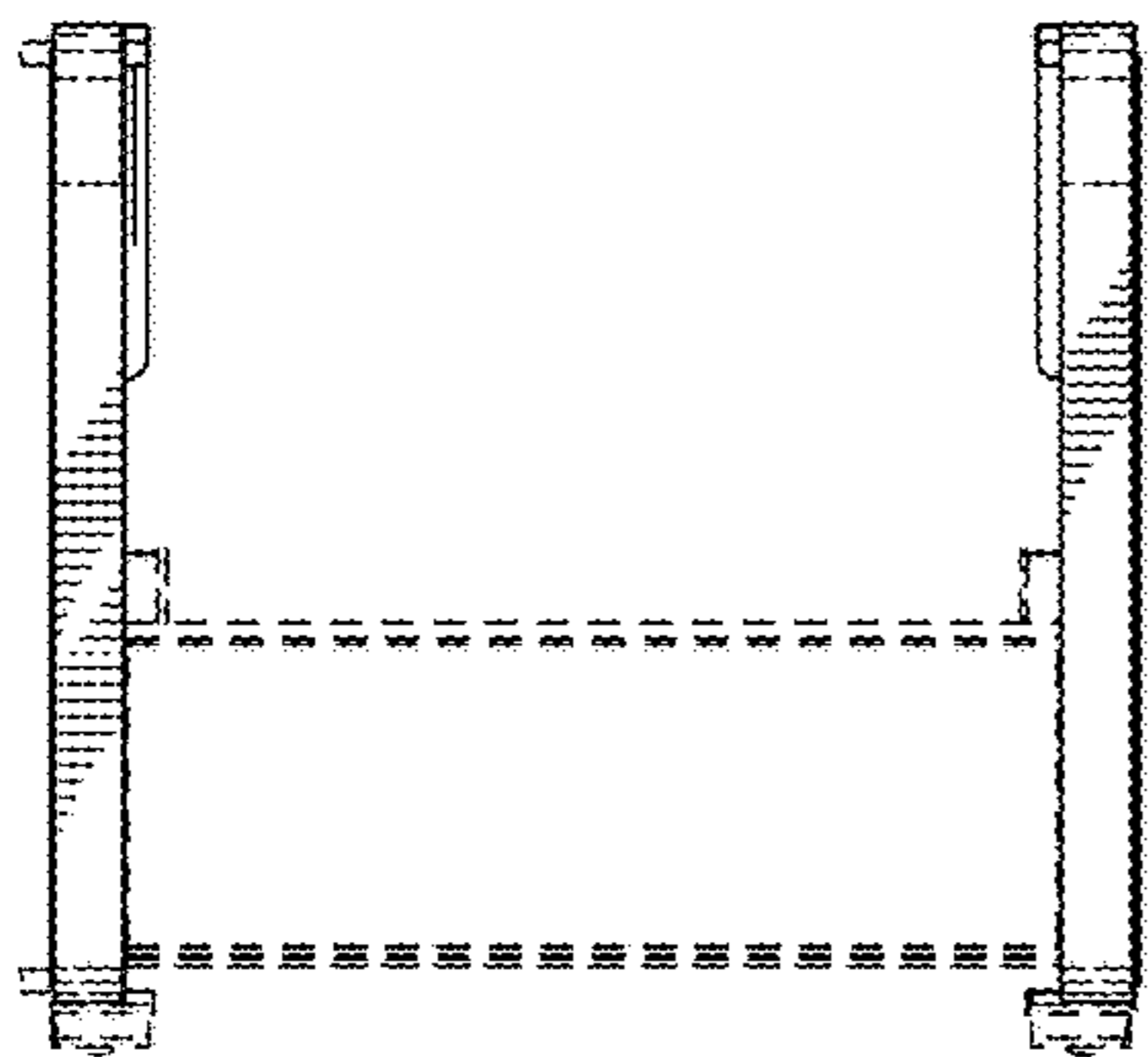


Fig. 3

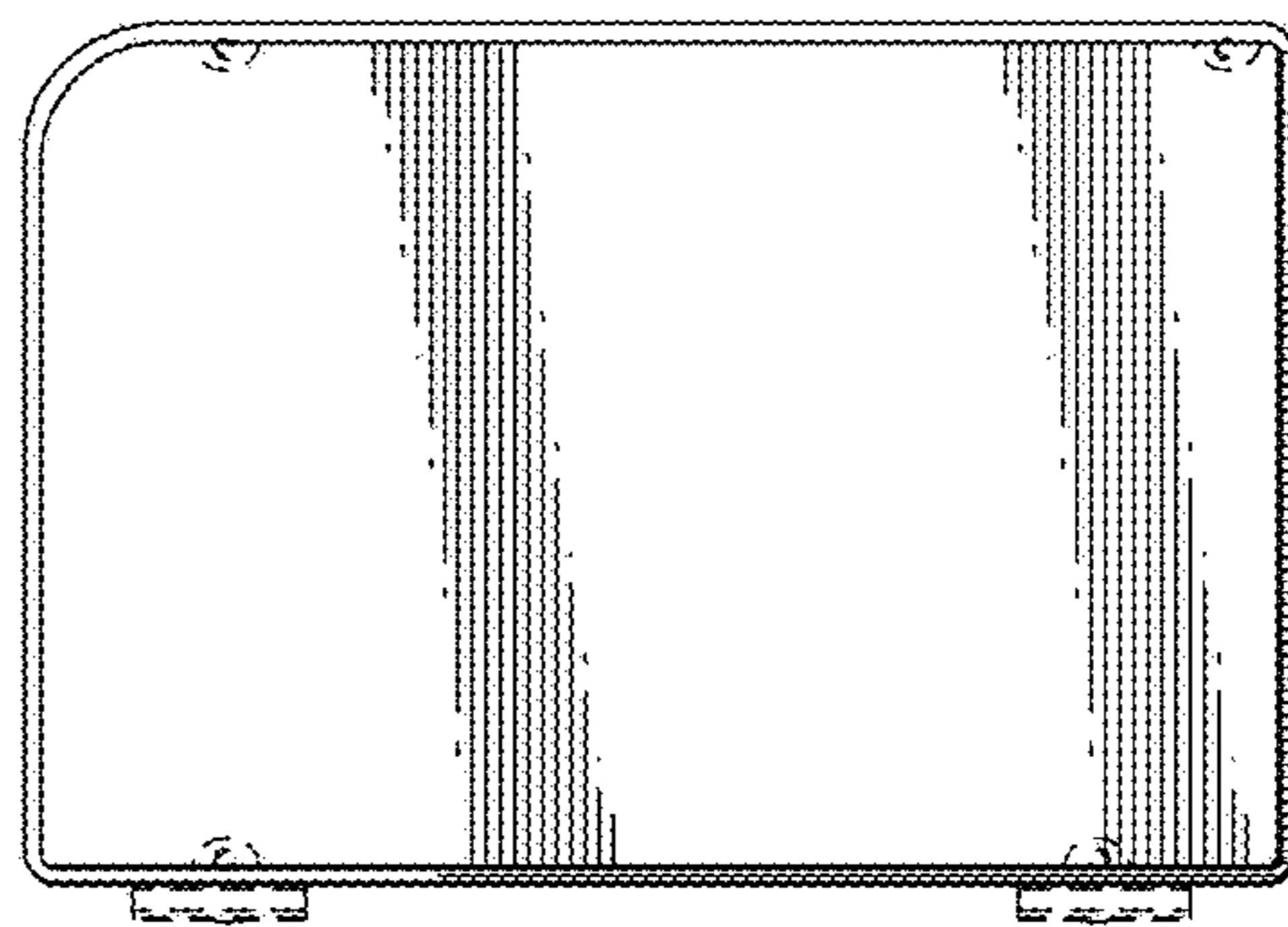


Fig. 4

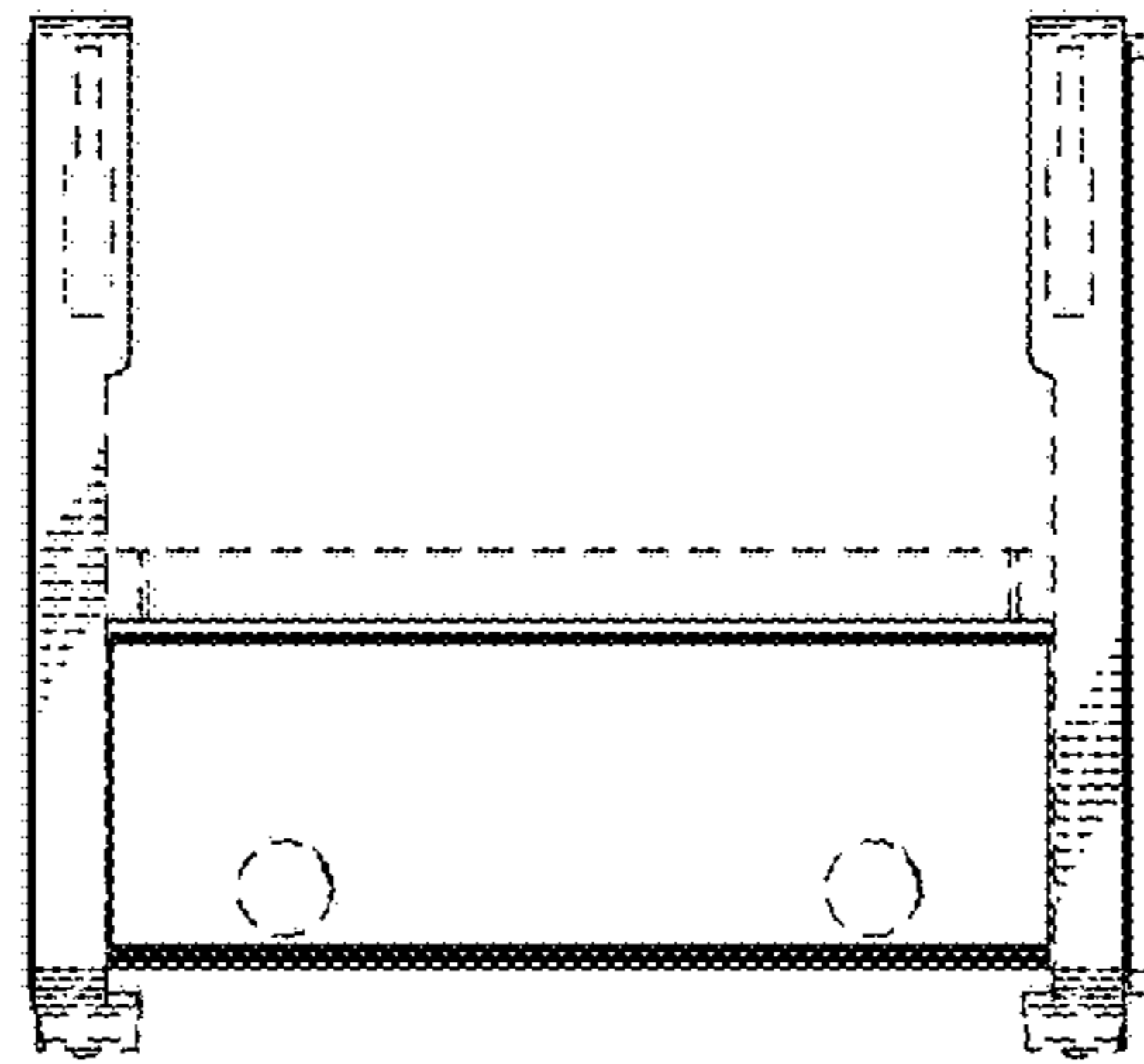
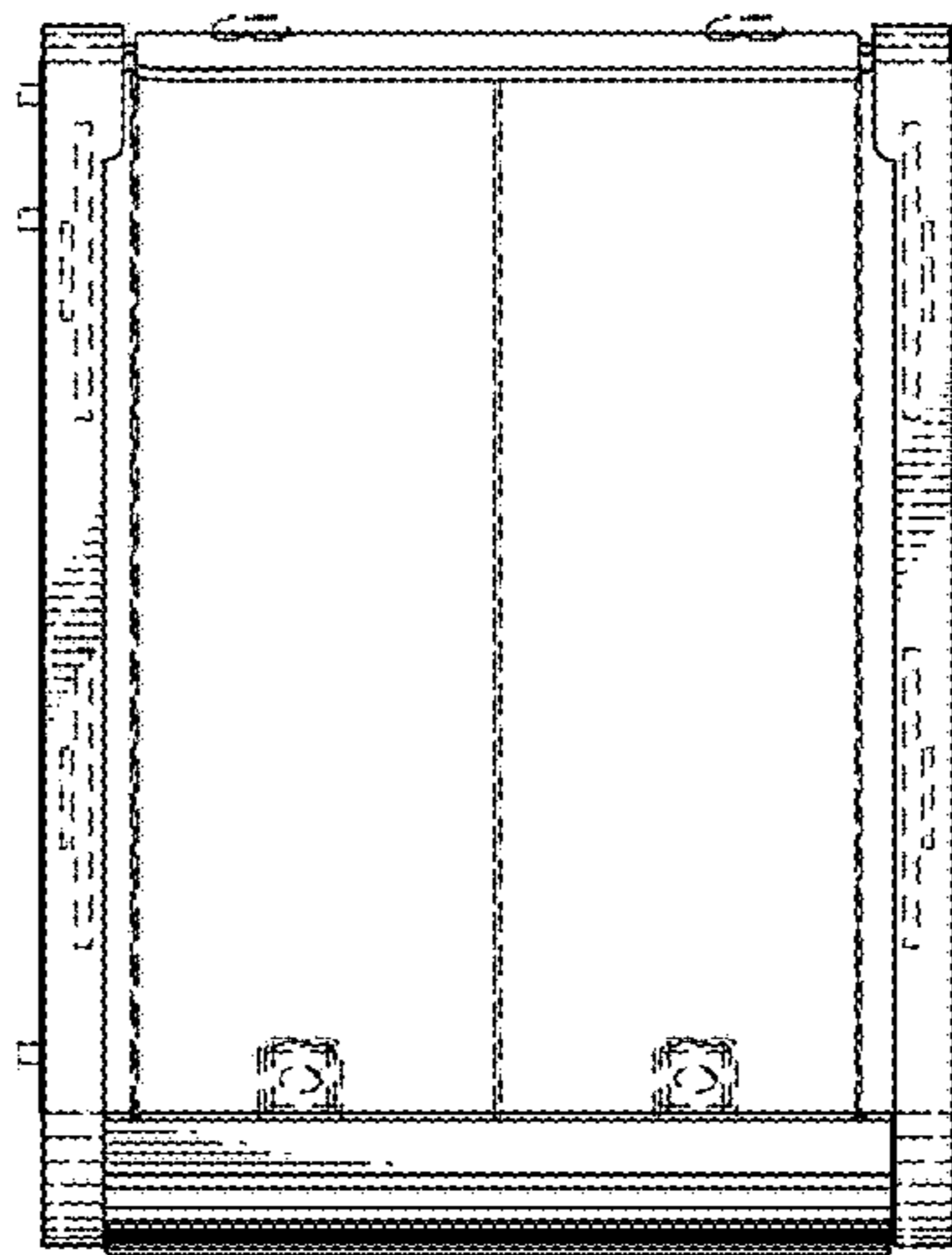
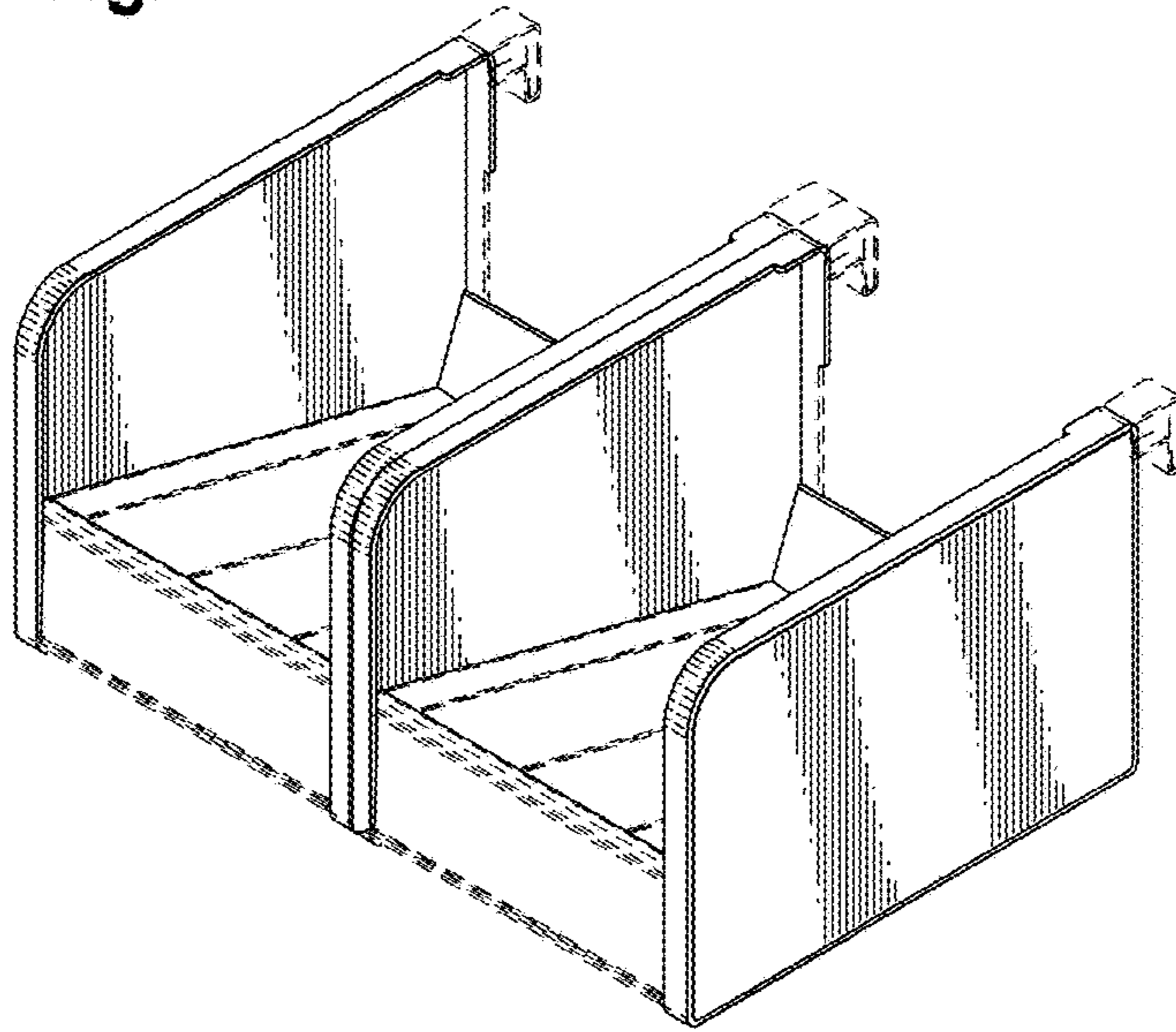


Fig. 5





**Fig. 6**



**Fig. 7**

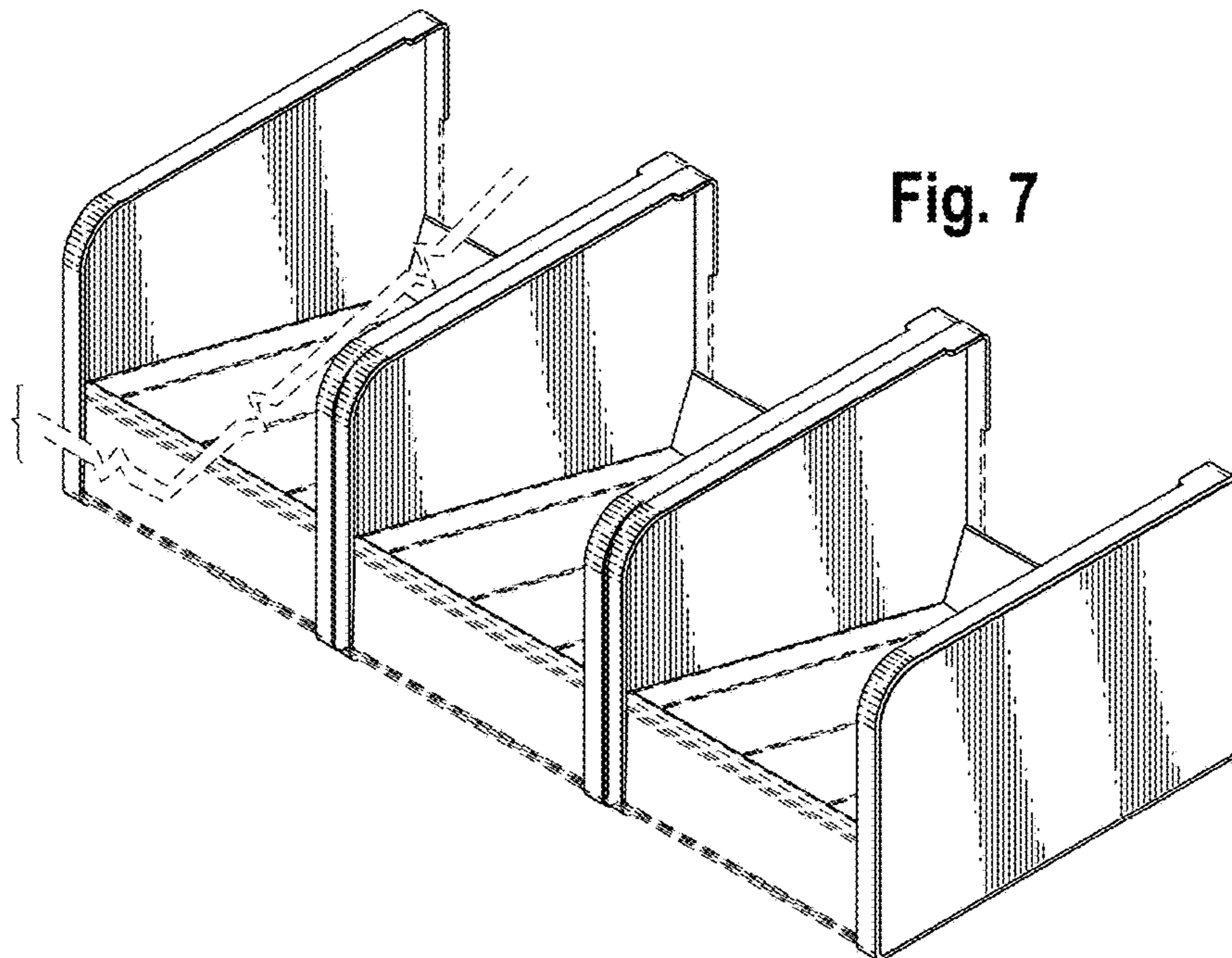


Fig. 8

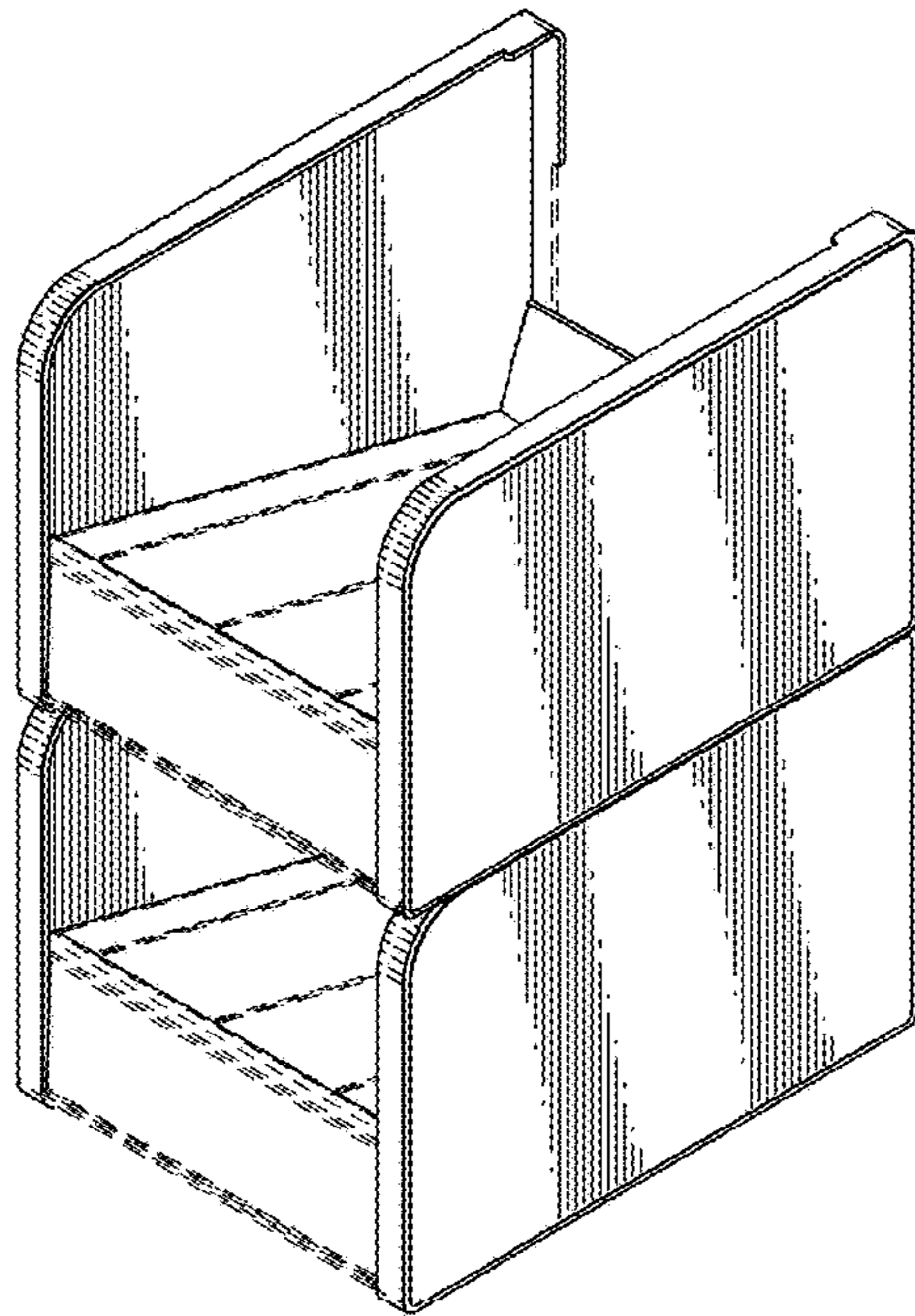


Fig. 9

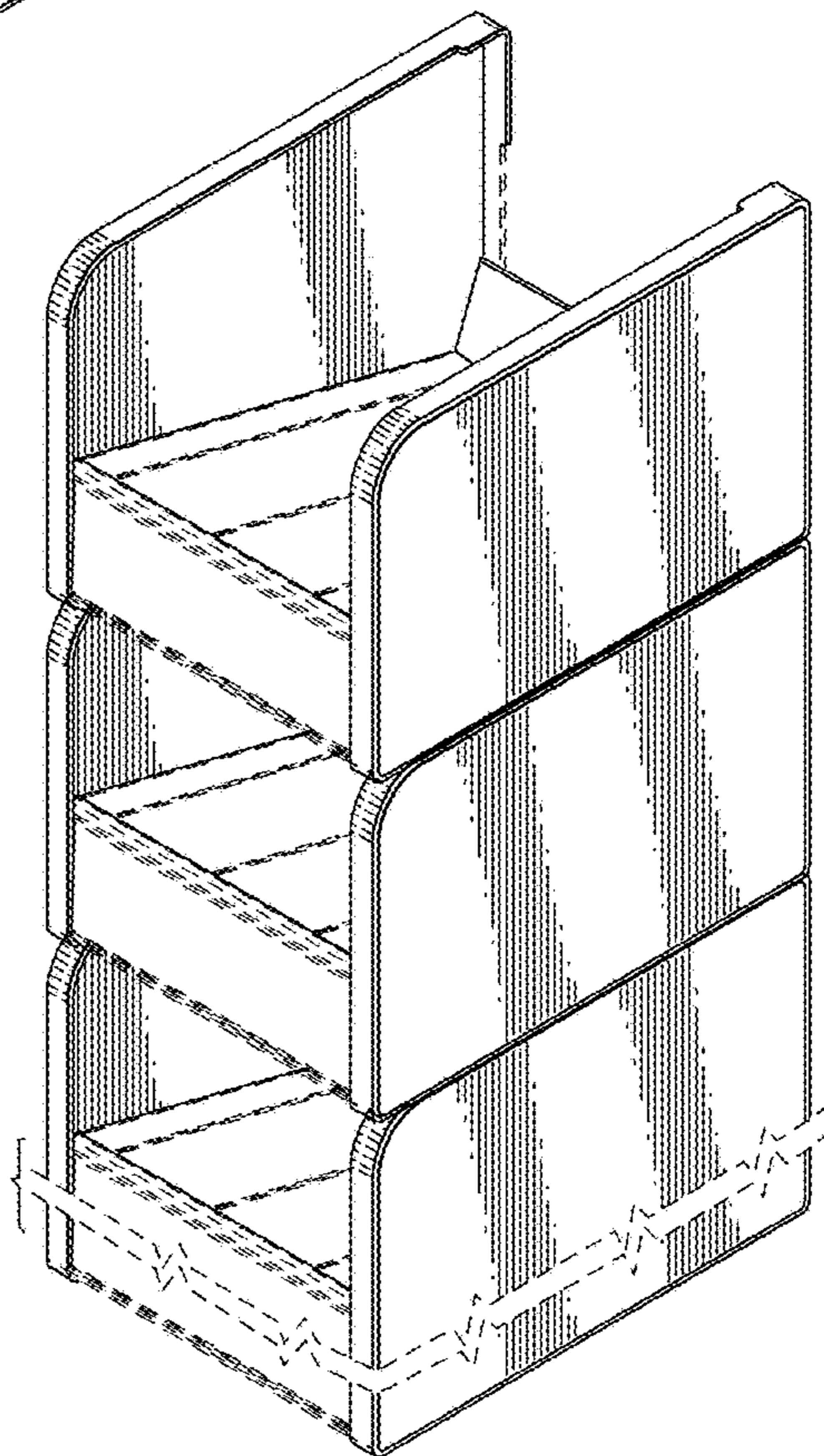


Fig. 10

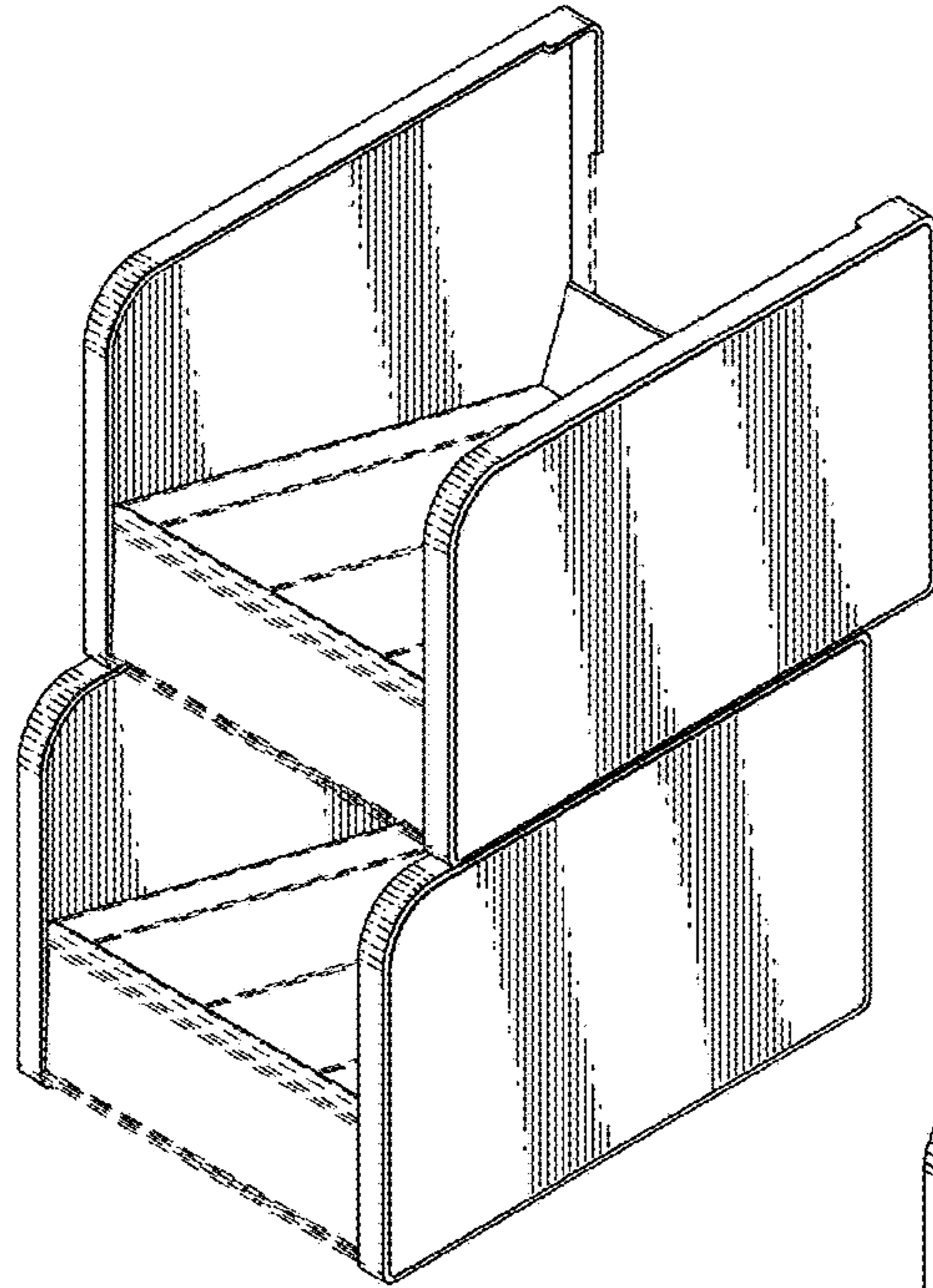
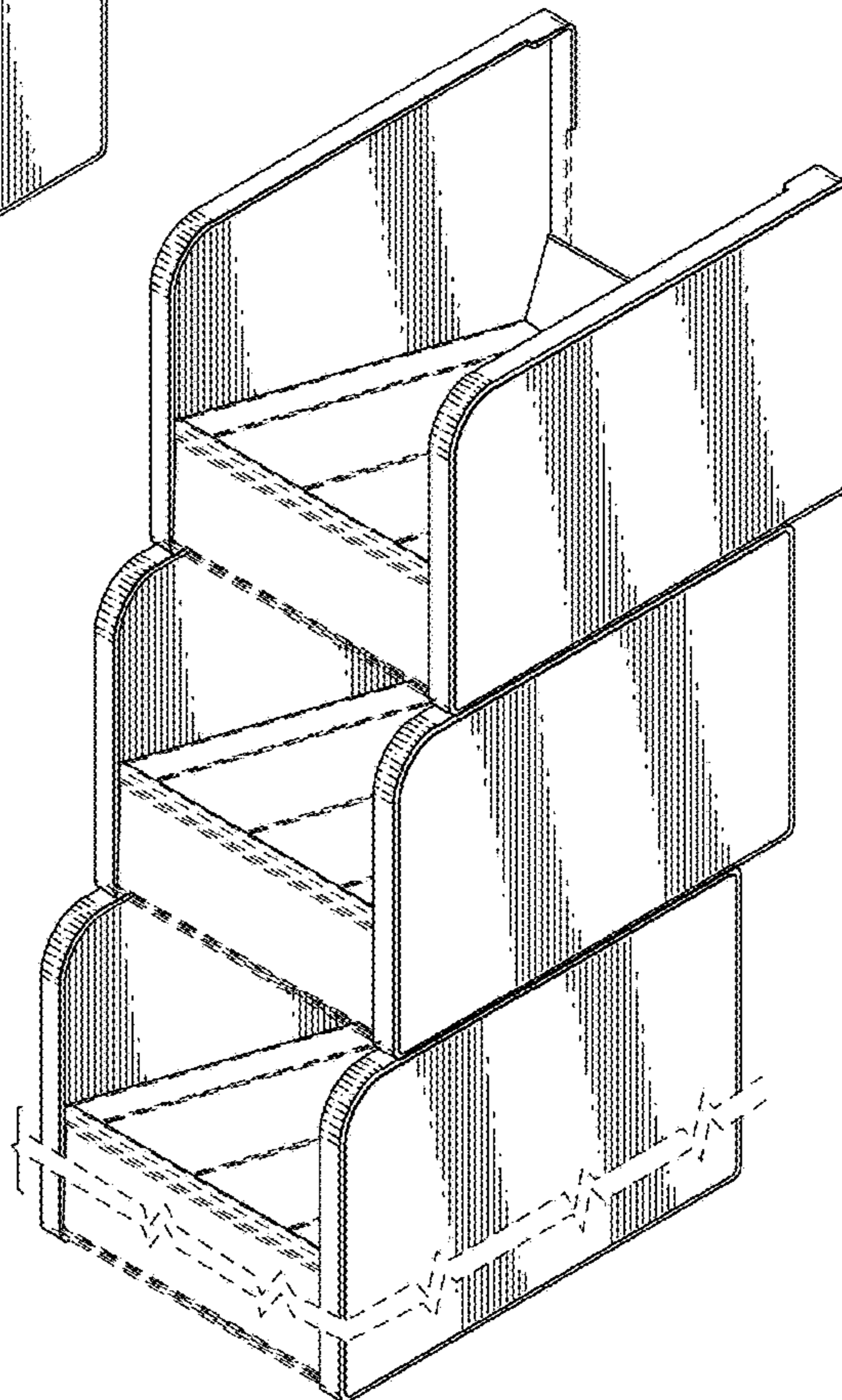


Fig. 11





UNITED STATES PATENT AND TRADEMARK OFFICE  
**CERTIFICATE OF CORRECTION**

PATENT NO. : D842,631 S  
APPLICATION NO. : 29/638380  
DATED : March 12, 2019  
INVENTOR(S) : John Mark Radford et al.

Page 1 of 1

It is certified that error appears in the above-identified patent and that said Letters Patent is hereby corrected as shown below:

On the Title Page

Add:

**--Related U.S. Application Data**

(62) Division of Design Application 29/555,449 filed on February 22, 2016, now Pat. No. Des. 815,471--

In the Specification

Below the heading "DESCRIPTION", add:

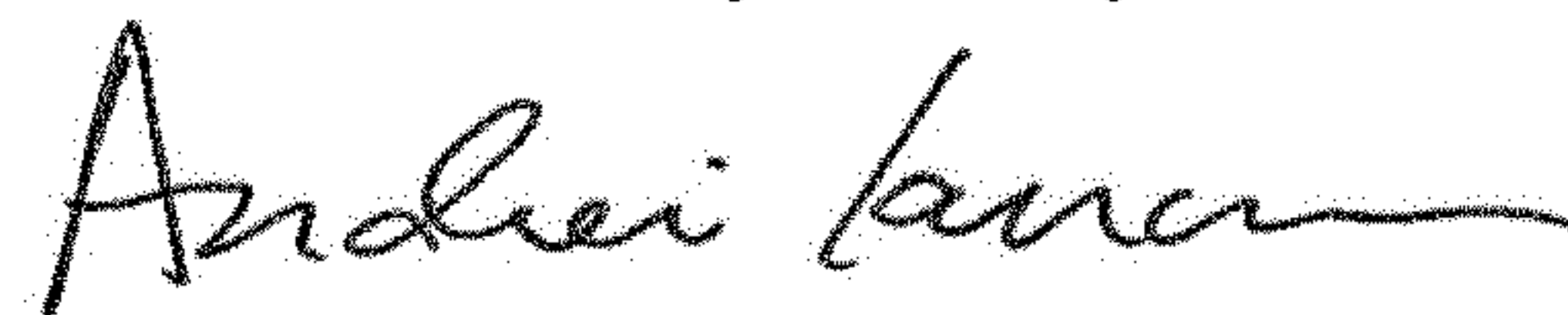
--PREAMBLE

Be it known that we, JOHN MARK RADFORD, JEROME MARCEL MORGEN, and DUDLEY ROBERTS, have invented a new, original and ornamental design for a PRODUCT DISPLAY STAND, of which the following is a specification, reference being had to the accompanying drawings, forming a part thereof.

**CROSS-REFERENCE TO RELATED APPLICATIONS**

This application is a Divisional Application under 35 U.S.C. § 120 of U.S. Design Patent Application Ser. No. 29/555,449, filed on February 22, 2016, and which is incorporated herein by reference in its entirety.--

Signed and Sealed this  
Seventh Day of May, 2019



Andrei Iancu  
Director of the United States Patent and Trademark Office