

US00D842630S

(12) **United States Design Patent** (10) **Patent No.:** **US D842,630 S**
Gruppenhof (45) **Date of Patent:** **** Mar. 12, 2019**

(54) **DISPLAY UNIT WITH BUILT-IN SHELVING SUPPORTS**

(71) Applicant: **InnerWorkings, Inc.**, Chicago, IL (US)

(72) Inventor: **Austin G. Gruppenhof**, Hamilton, OH (US)

(73) Assignee: **Innerworkings, Inc.**, Chicago, IL (US)

(**) Term: **15 Years**

(21) Appl. No.: **29/639,481**

(22) Filed: **Mar. 6, 2018**

(51) **LOC (11) Cl.** **06-06**

(52) **U.S. Cl.**
USPC **D6/675.1**

(58) **Field of Classification Search**
USPC D6/315, 329, 672, 673, 675, 675.1, 682, D6/512
CPC A47B 47/00; A47B 47/0058; A47B 47/06; A47F 5/00; A47F 5/0018; A47F 5/0062; A47F 3/00
See application file for complete search history.

(56) **References Cited**

U.S. PATENT DOCUMENTS

D38,720 S	8/1907	Soellner et al.	
D111,736 S	10/1938	De Sabato et al.	
D208,340 S	8/1967	Pollenz et al.	
D232,204 S	7/1974	Kaner et al.	
D233,388 S	10/1974	Moss	
D256,644 S	9/1980	Marks	
D259,684 S	6/1981	Davis	
D279,442 S *	7/1985	Silver	D6/683.1
D294,441 S	3/1988	Hoch	
D296,737 S	7/1988	Bezzarides et al.	
D307,839 S	5/1990	Johnson, Jr.	
D314,296 S *	2/1991	Mason	D6/675.1
5,048,701 A *	9/1991	Simpson	A47F 5/00 211/133.1
D323,262 S	1/1992	Flum	

(Continued)

OTHER PUBLICATIONS

Gruppenhof, Quayle Office Action, U.S. Appl. No. 29/588,435, dated Aug. 23, 2017, 4 pgs.

(Continued)

Primary Examiner — Kelley A Donnelly

(74) *Attorney, Agent, or Firm* — Morgan, Lewis & Bockius LLP

(57) **CLAIM**

An ornamental design for a display unit with built-in shelving supports, substantially as shown.

DESCRIPTION

This application is also related to the following design applications: U.S. Design patent application Ser. No. 29/588,432; U.S. Design patent application Ser. No. 29/588,433; U.S. Design patent application Ser. No. 29/588,435; U.S. Design patent application Ser. No. 29/588,438; U.S. Design patent application Ser. No. 29/588,440; U.S. Design patent application Ser. No. 29/588,441; U.S. Design patent application Ser. No. 29/588,442; U.S. Design patent application Ser. No. 29/588,443; and U.S. Design patent application Ser. No. 29/588,444. Each of these related design applications is hereby incorporated by reference in its entirety.

FIG. 1 is a perspective view of my new design for a display unit with built-in shelving supports.

FIG. 2 is a top view thereof.

FIG. 3 is a bottom view thereof.

FIG. 4 is a front view thereof.

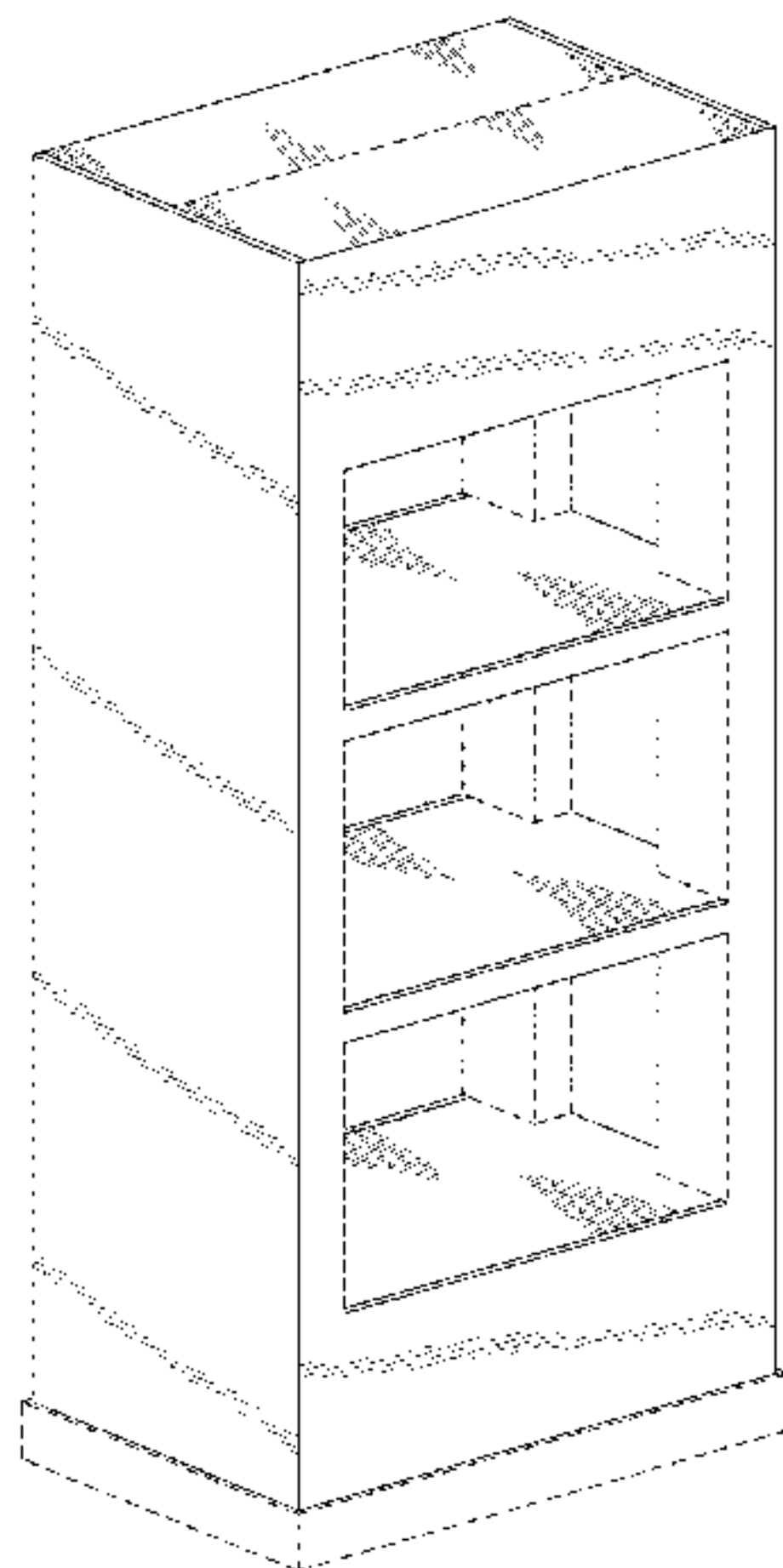
FIG. 5 is a rear view thereof.

FIG. 6 is a first side view thereof; and,

FIG. 7 is a second side view thereof.

The broken lines in the Figures are for illustrative purposes only and form no part of the claimed design.

1 Claim, 5 Drawing Sheets



(56)

References Cited

U.S. PATENT DOCUMENTS

D340,369 S 10/1993 Dokoupil et al.
 D344,419 S 2/1994 Stoddart
 D383,332 S 9/1997 Schneider
 D385,438 S 10/1997 Jay
 D390,723 S 2/1998 Jay
 D396,581 S 8/1998 Schubert
 D418,331 S 1/2000 Christescu
 D421,350 S 3/2000 Bidwell et al.
 D421,687 S 3/2000 Curci
 D426,401 S * 6/2000 Conway, Jr. D6/661
 D438,729 S 3/2001 Sikora
 D450,488 S 11/2001 Stone et al.
 D452,393 S * 12/2001 Bedard D6/674
 D456,176 S 4/2002 Dashefsky
 D474,351 S 5/2003 Lyons
 D477,158 S 7/2003 Calcerano et al.
 D483,201 S 12/2003 Berish et al.
 D487,549 S 3/2004 Berish et al.
 D496,193 S * 9/2004 Mason D6/678.3
 D496,194 S * 9/2004 Mason D6/682.2
 D500,810 S 1/2005 Osigwe et al.
 D530,290 S 10/2006 Dupuis
 7,131,543 B2 11/2006 Mason
 D537,652 S 3/2007 MacDonald
 D602,710 S 10/2009 Thurston
 D629,232 S 12/2010 Forcellina
 D675,040 S * 1/2013 Koenigsknecht D6/675.1
 D684,795 S * 6/2013 Koenigsknecht D6/675.1
 D690,139 S * 9/2013 Trinh D6/672
 D691,838 S 10/2013 Hinkle
 8,763,941 B1 7/2014 Beck, Jr.
 D712,689 S * 9/2014 Montagner D6/675
 D731,823 S * 6/2015 Kelinske D6/675.1
 D734,068 S * 7/2015 Dworman D6/662.1
 D737,078 S 8/2015 McKinney
 D745,298 S * 12/2015 Workman D6/705
 9,215,940 B2 * 12/2015 Hawkins A47F 5/0006
 D747,902 S * 1/2016 Matloff D6/678.1
 D748,934 S 2/2016 Arrington-Brown
 D768,278 S 10/2016 Kumar
 D775,871 S * 1/2017 Volz D6/675.1
 D777,489 S * 1/2017 Stauss D6/705

D784,055 S * 4/2017 Arzaluz D6/675.2
 D796,235 S * 9/2017 Morrell D6/675.2
 D797,477 S * 9/2017 Horsky D6/675.4
 D825,231 S * 8/2018 Massaud D6/675.1
 D825,232 S * 8/2018 Massaud D6/675.1
 2006/0118502 A1 * 6/2006 Polvere A47F 5/112
 211/135
 2010/0006529 A1 * 1/2010 Groff A47F 5/116
 211/186

OTHER PUBLICATIONS

Grupenhof, Notice of Allowance, U.S. Appl. No. 29/588,435, dated Feb. 26, 2018, 5 pgs.
 Grupenhof, Notice of Allowance, U.S. Appl. No. 29/588,432, dated Oct. 6, 2017, 7 pgs.
 Grupenhof, Office Action, U.S. Appl. No. 29/588,438, dated Sep. 25, 2017, 7 pgs.
 Grupenhof, Notice of Allowance, U.S. Appl. No. 29/588,438, dated Mar. 19, 2018, 7 pgs.
 Grupenhof, Office Action, U.S. Appl. No. 29/588,440, dated Sep. 22, 2017, 5 pgs.
 Grupenhof, Notice of Allowance, U.S. Appl. No. 29/588,440, dated May 14, 2018, 8 pgs.
 Grupenhof, Notice of Allowance, U.S. Appl. No. 29/588,436, dated Oct. 10, 2017, 7 pgs.
 Grupenhof, Notice of Allowance, U.S. Appl. No. 29/588,433, dated Oct. 11, 2017, 7 pgs.
 Grupenhof, Office Action, U.S. Appl. No. 29/588,441, dated Oct. 31, 2017, 5 pgs.
 Grupenhof, Final Office Action, U.S. Appl. No. 29/588,441, dated Mar. 9, 2018, 4 pgs.
 Grupenhof, Notice of Allowance, U.S. Appl. No. 29/588,442, dated Oct. 10, 2017, 7 pgs.
 Grupenhof, Notice of Allowance, U.S. Appl. No. 29/588,444, dated Oct. 10, 2017, 7 pgs.
 Grupenhof, Office Action, U.S. Appl. No. 29/588,443, dated Oct. 19, 2017, 5 pgs.
 Grupenhof, Notice of Allowance, U.S. Appl. No. 29/588,443, dated Apr. 13, 2018, 5 pgs.

* cited by examiner

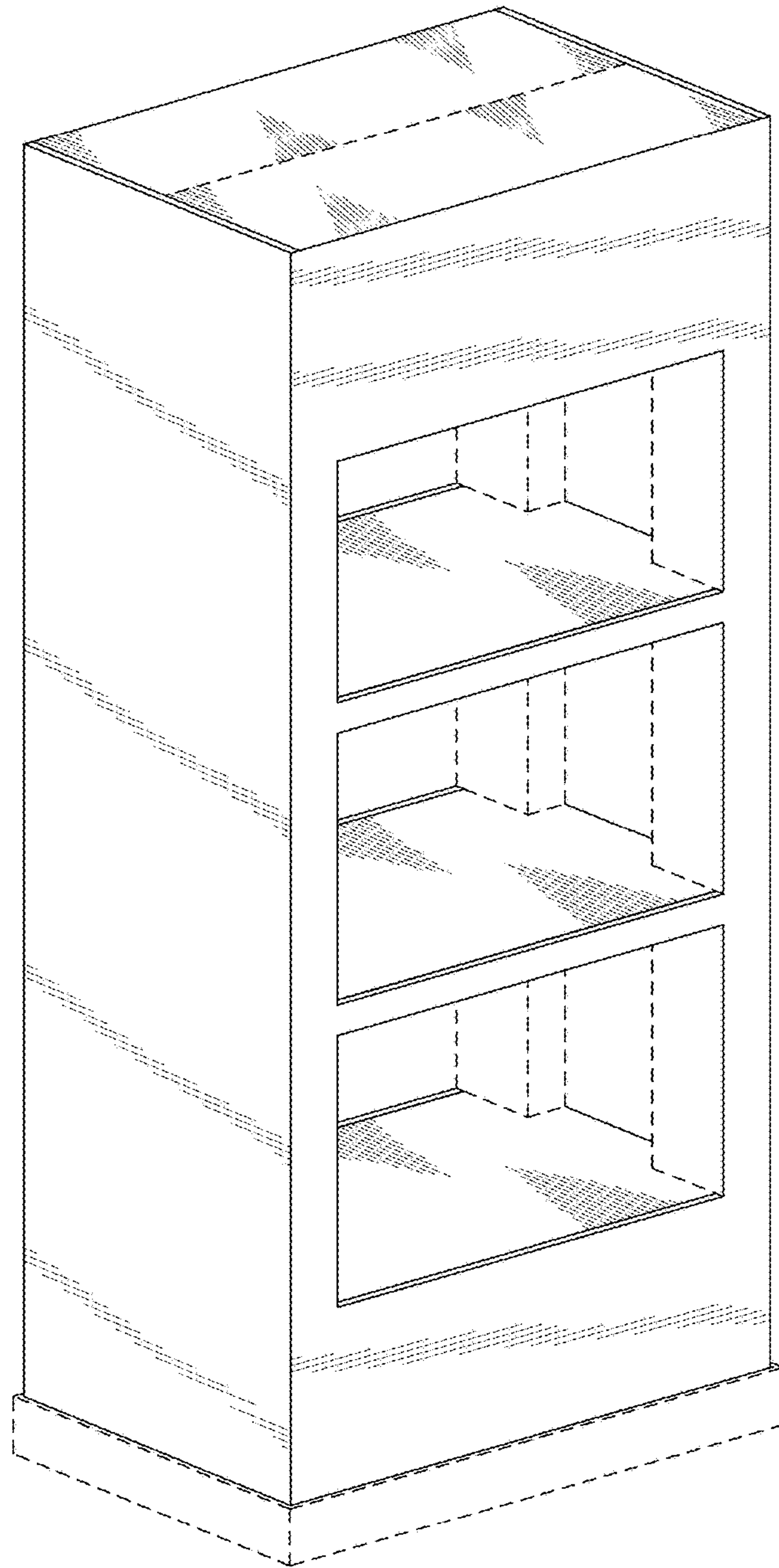


FIG. 1

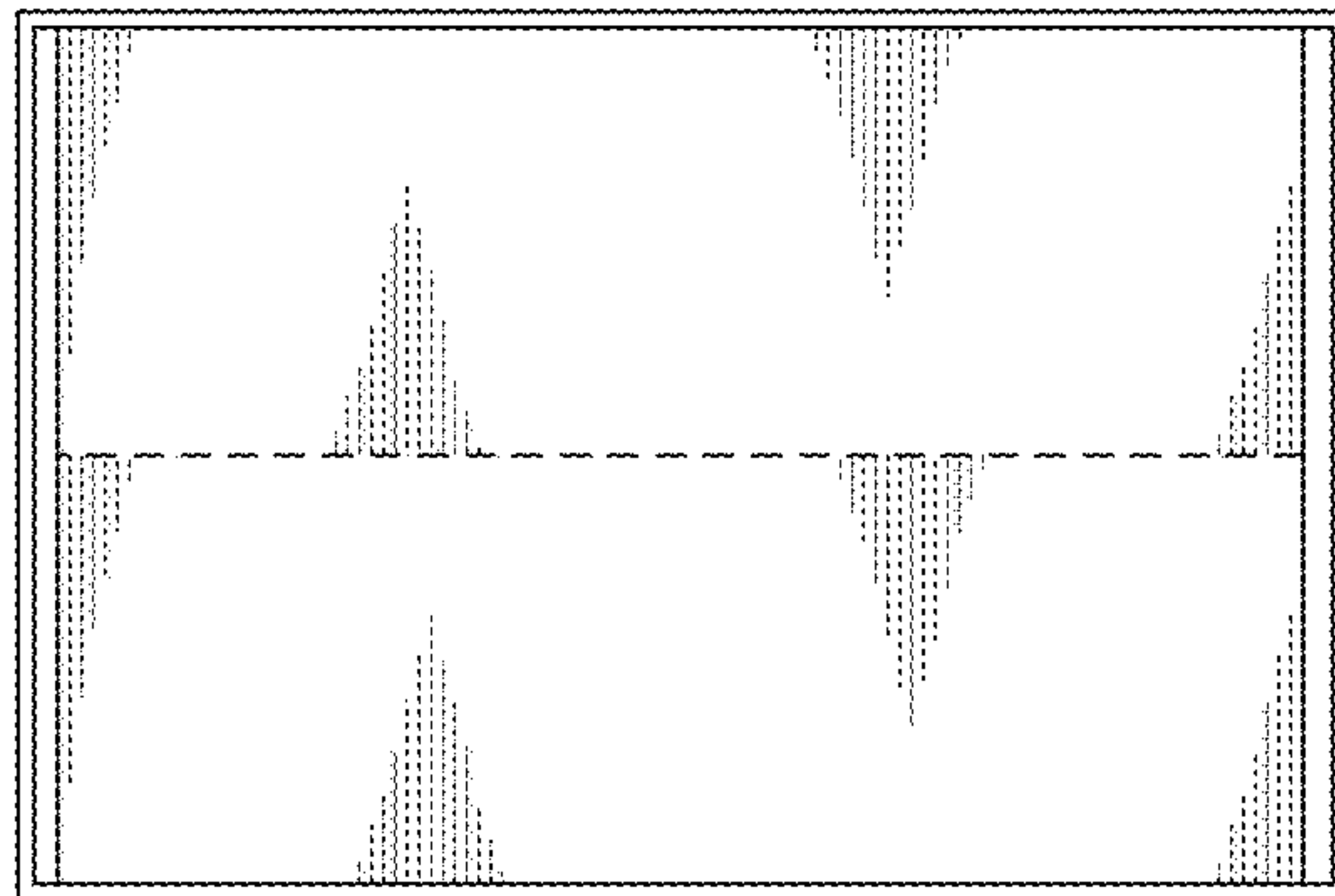


FIG. 2

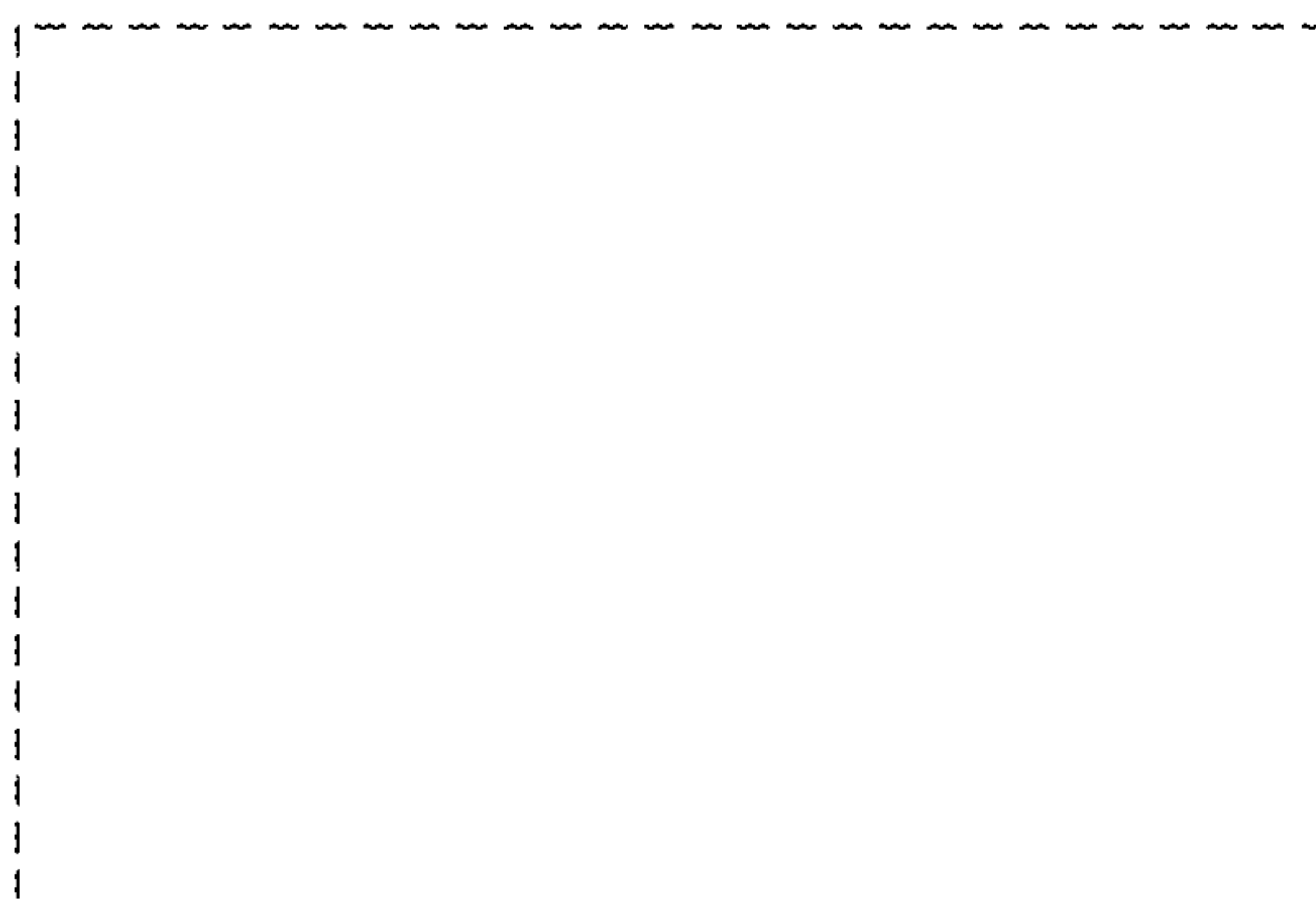


FIG. 3

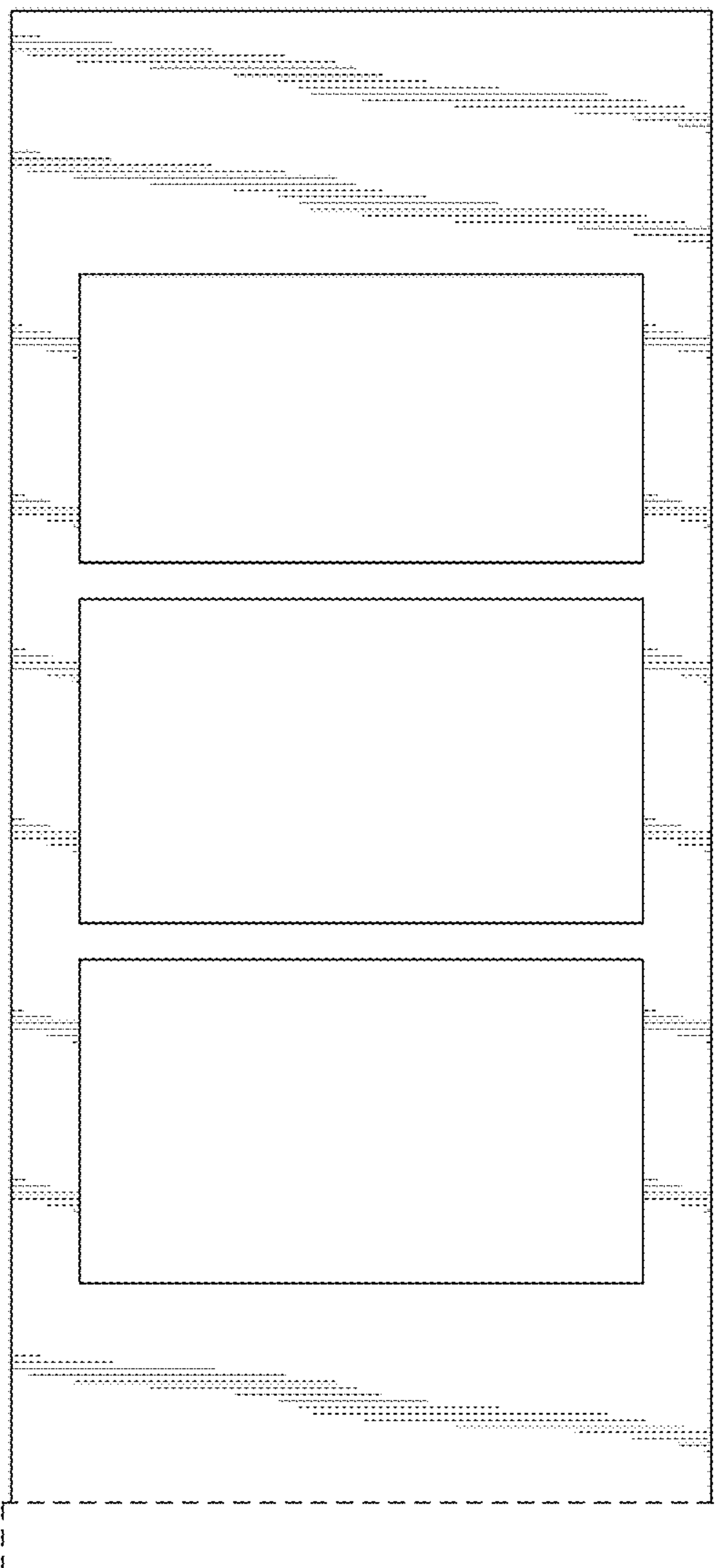


FIG. 4

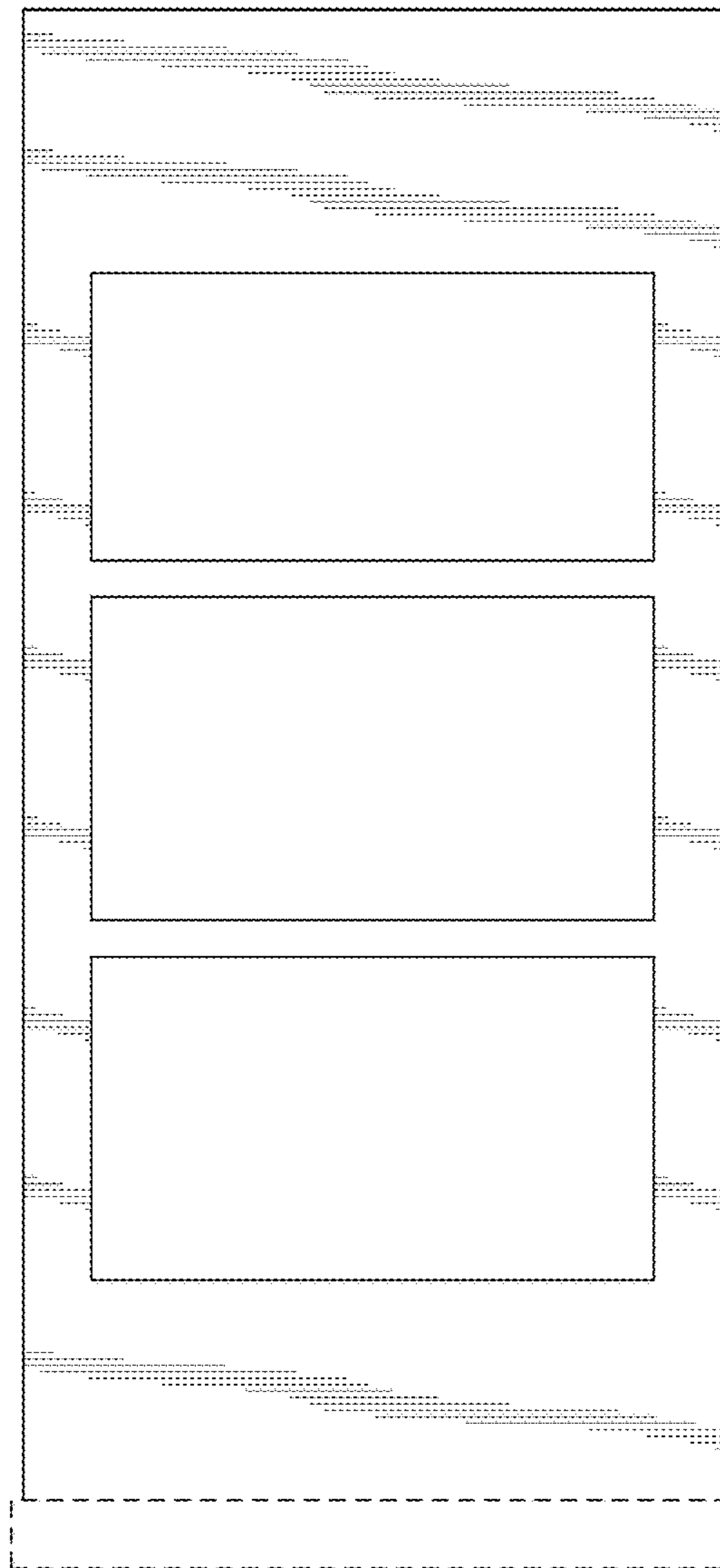


FIG. 5

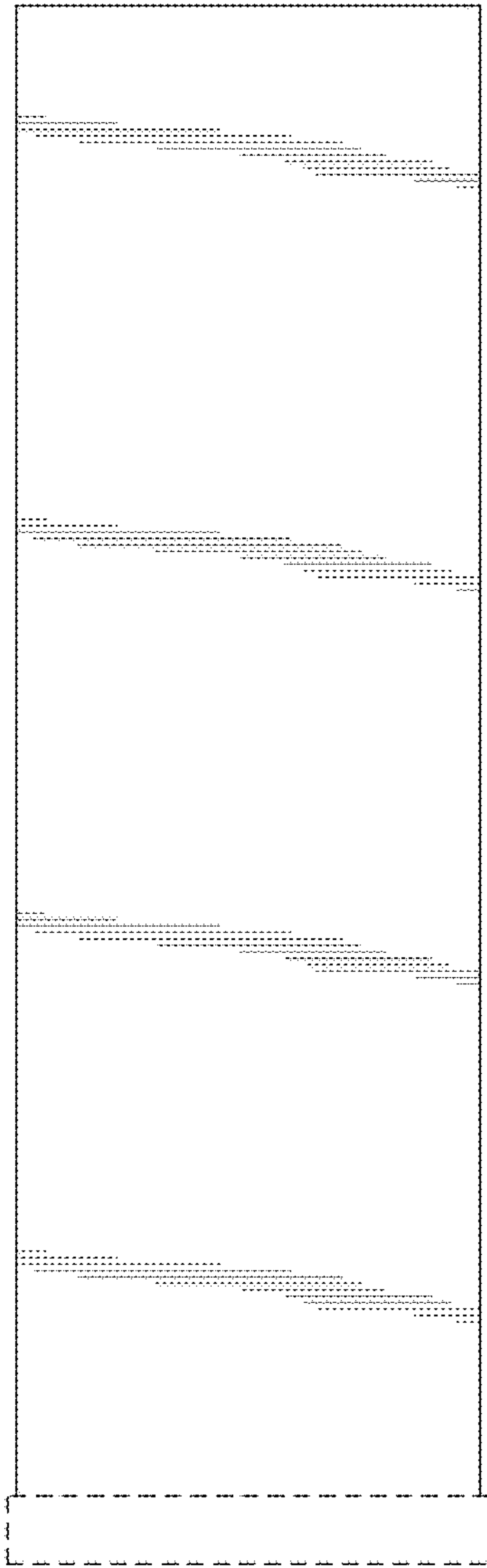


FIG. 6

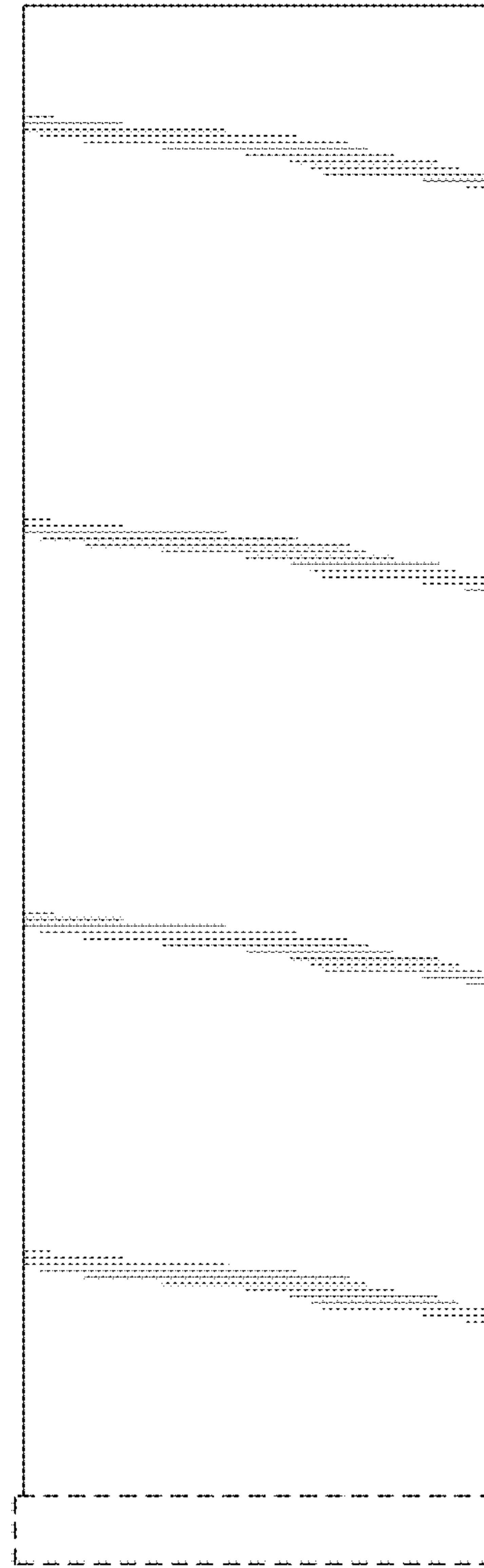


FIG. 7