



US00D842628S

(12) **United States Design Patent**  
**Siminoff et al.**

(10) **Patent No.:** **US D842,628 S**  
(45) **Date of Patent:** **\*\* Mar. 12, 2019**

(54) **PRODUCT DISPLAY**

(71) Applicant: **Ring Inc.**, Santa Monica, CA (US)

(72) Inventors: **James Siminoff**, Pacific Palisades, CA (US); **Hong Swain**, Los Angeles, CA (US)

(73) Assignee: **Amazon Technologies, Inc.**, Seattle, WA (US)

(\*\*) Term: **15 Years**

(21) Appl. No.: **29/621,449**

(22) Filed: **Oct. 9, 2017**

(51) **LOC (11) Cl.** ..... **06-04**

(52) **U.S. Cl.**  
USPC ..... **D6/672**

(58) **Field of Classification Search**  
USPC ..... D6/672, 675, 675.4, 681.2, 682, 683  
CPC ..... A47F 5/0043; A47F 5/08; A47F 5/0807;  
A47F 5/16; A47F 43/00; A47F 3/00;  
A47F 3/08; A47F 5/0018; A47F 5/10  
See application file for complete search history.

(56) **References Cited**

**U.S. PATENT DOCUMENTS**

D274,203	S	*	6/1984	Everett	.....	D6/675.4
D368,184	S	*	3/1996	Eley	.....	D6/406.4
D464,498	S	*	10/2002	Riga	.....	D6/673
D525,807	S	*	8/2006	Pinco	.....	D6/682
D572,043	S	*	7/2008	Suzuki	.....	D6/682
D584,529	S	*	1/2009	Neff	.....	D6/675.4
D584,902	S	*	1/2009	Neff	.....	D6/657
D589,723	S	*	4/2009	Zealer	.....	D6/683
D591,083	S	*	4/2009	Singler	.....	D6/672
D649,192	S	*	11/2011	Beukema	.....	D19/75
D713,658	S	*	9/2014	Tio	.....	D6/675
D723,842	S	*	3/2015	Walker	.....	D6/672
D733,088	S	*	6/2015	Gameau	.....	D14/172

D734,965	S	*	7/2015	Tio	.....	D6/675
D741,091	S	*	10/2015	Tio	.....	D6/675
D756,137	S	*	5/2016	Abelmann	.....	D6/336
D769,651	S	*	10/2016	Tio	.....	D6/675
D774,805	S	*	12/2016	Thiele	.....	D6/672
D777,478	S	*	1/2017	Krauss	.....	D6/675
D779,240	S	*	2/2017	Tio	.....	D6/675
D806,447	S	*	1/2018	Burton	.....	D6/657
D806,448	S	*	1/2018	Burton	.....	D6/657
D807,086	S	*	1/2018	Tio	.....	D6/675
D815,864	S	*	4/2018	Burton	.....	D6/675

(Continued)

*Primary Examiner* — John Windmuller

*Assistant Examiner* — Steven J Czyz

(74) *Attorney, Agent, or Firm* — Chong IP Law, LLP

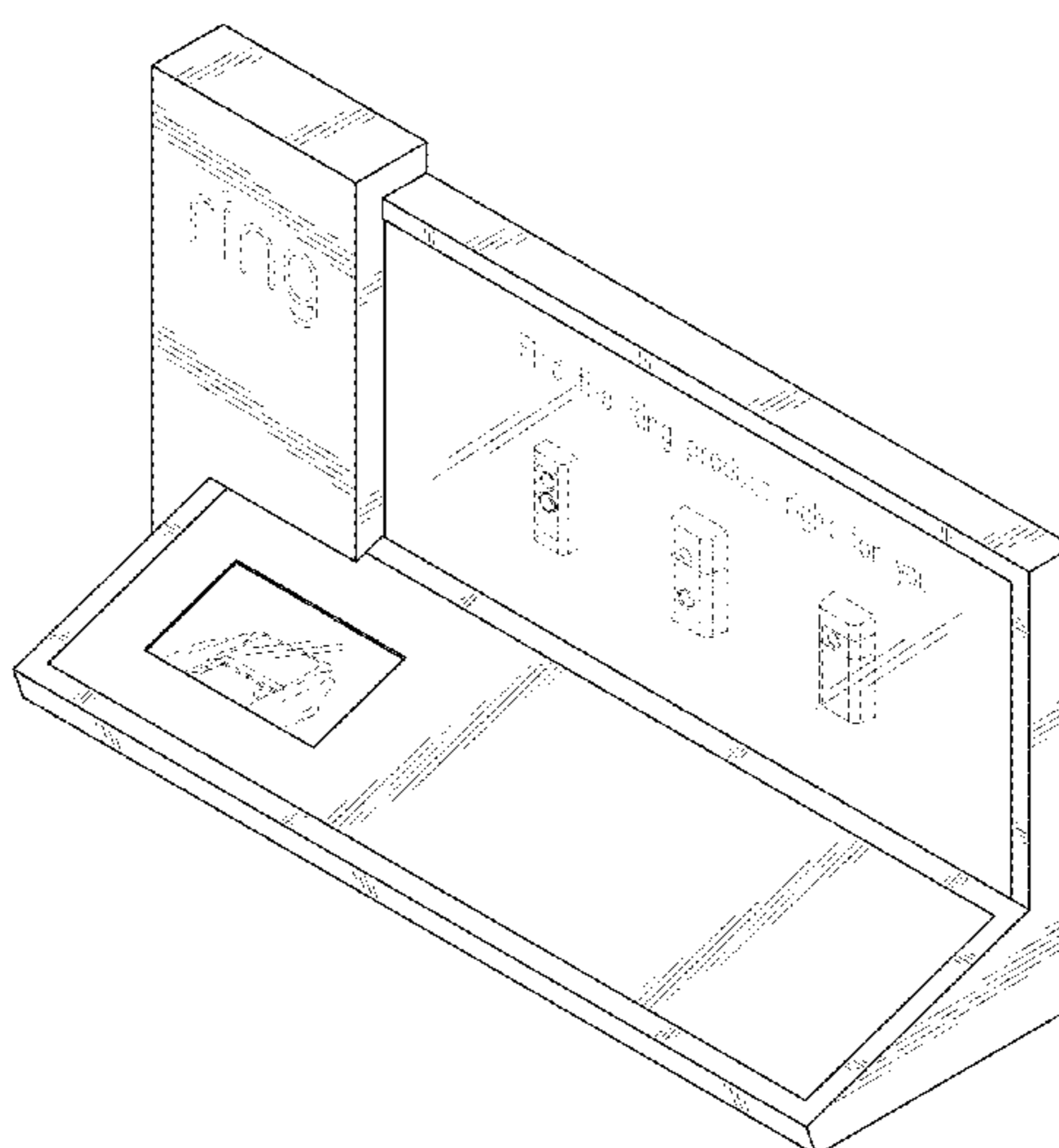
(57) **CLAIM**

The ornamental design for a product display, as shown and described.

**DESCRIPTION**

FIG. 1 is a front perspective view of a product display according to the present design;  
 FIG. 2 is a front elevational view of the product display of FIG. 1;  
 FIG. 3 is a rear elevational view of the product display of FIG. 1;  
 FIG. 4 is a right-side elevational view of the product display of FIG. 1;  
 FIG. 5 is a left-side elevational view of the product display of FIG. 1;  
 FIG. 6 is a top plan view of the product display of FIG. 1;  
 FIG. 7 is a bottom plan view of the product display of FIG. 1; and,  
 FIG. 8 is a front perspective view of the product display shown with environment.  
 The broken lines depict portions of the article and environment that form no part of the claimed design.

**1 Claim, 8 Drawing Sheets**



(56)

**References Cited**

U.S. PATENT DOCUMENTS

D821,119 S \* 6/2018 Choi ..... D6/675  
D824,702 S \* 8/2018 Tio ..... D6/675

\* cited by examiner

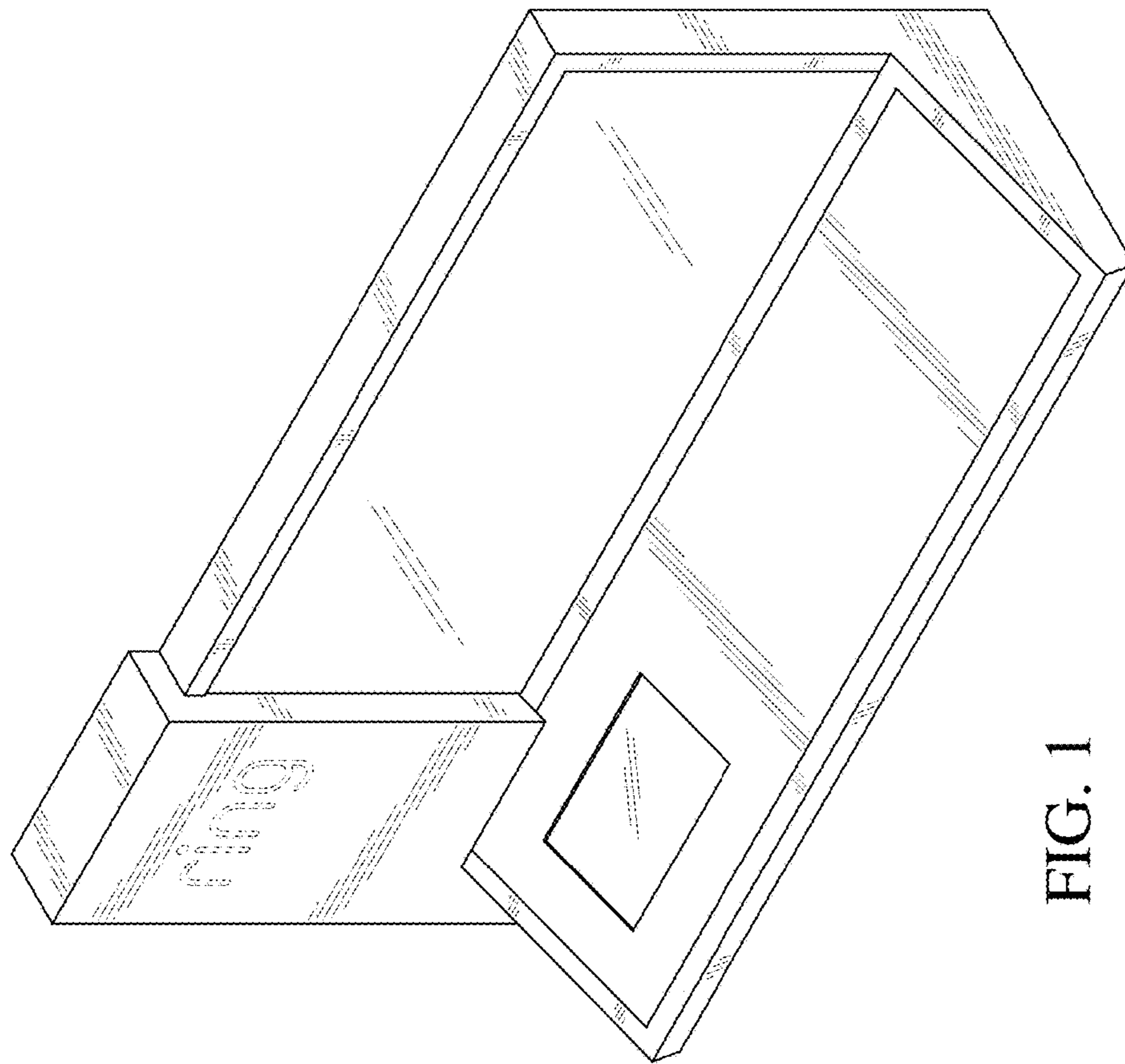


FIG. 1

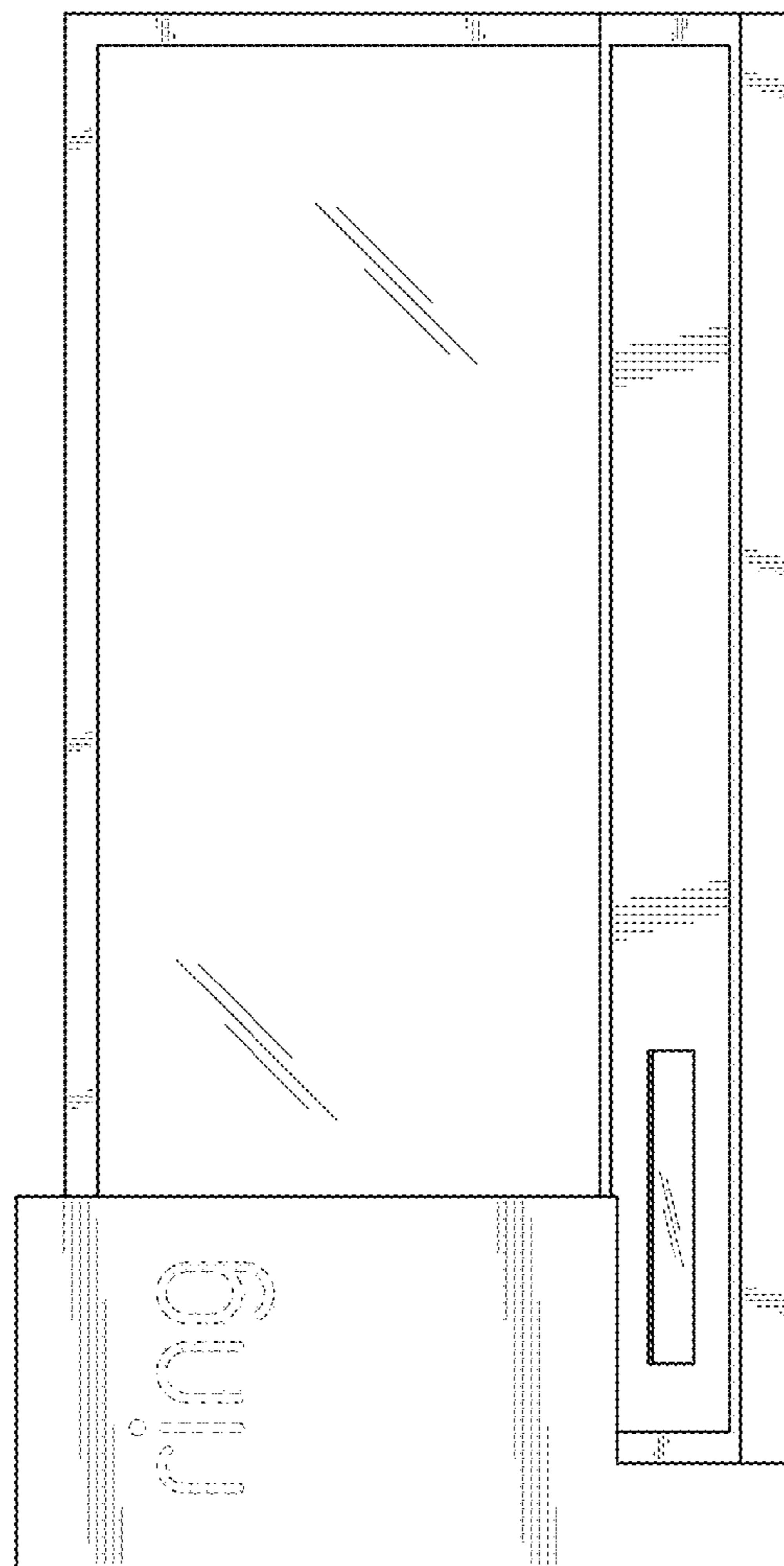


FIG. 2

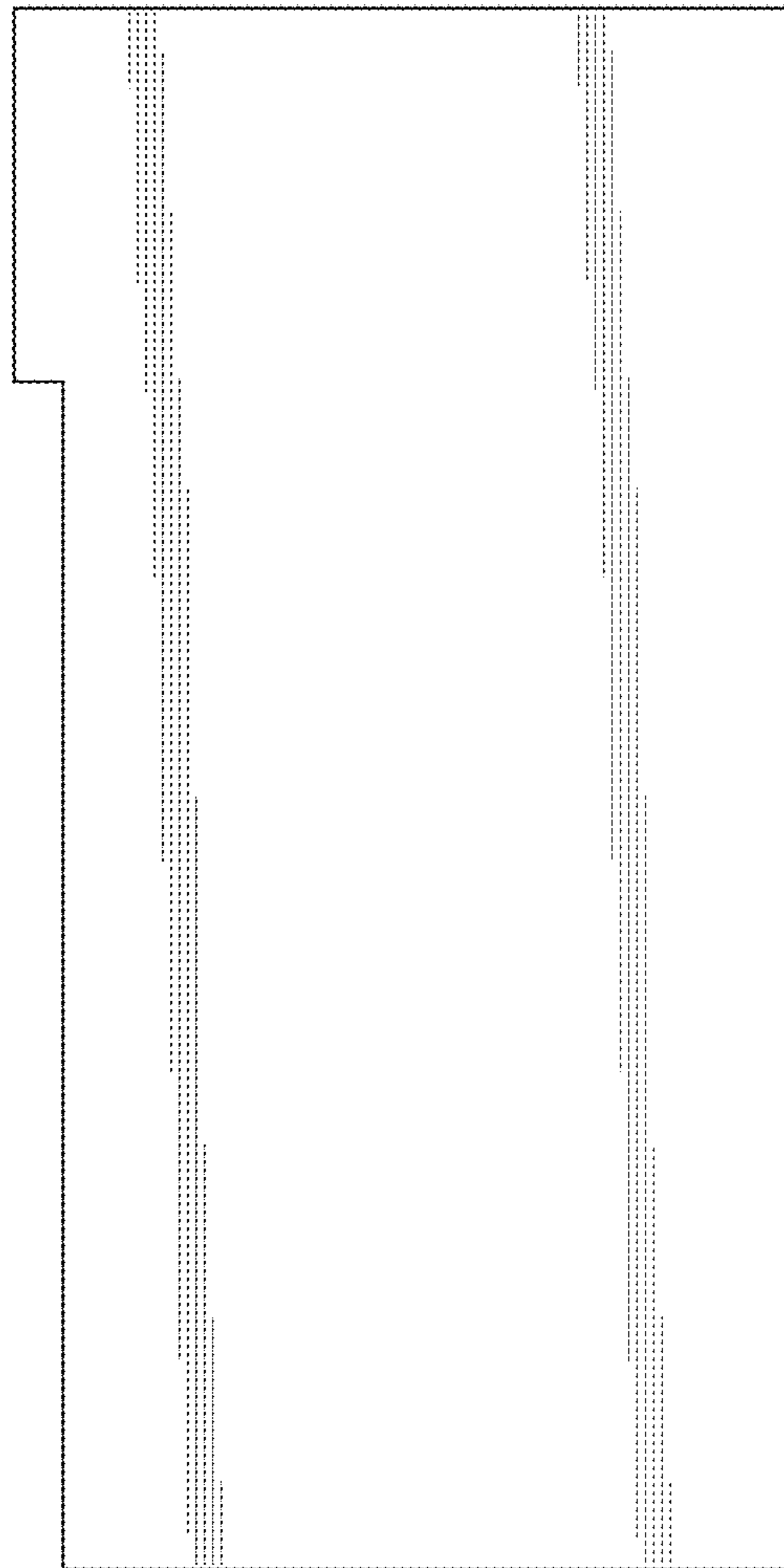


FIG. 3

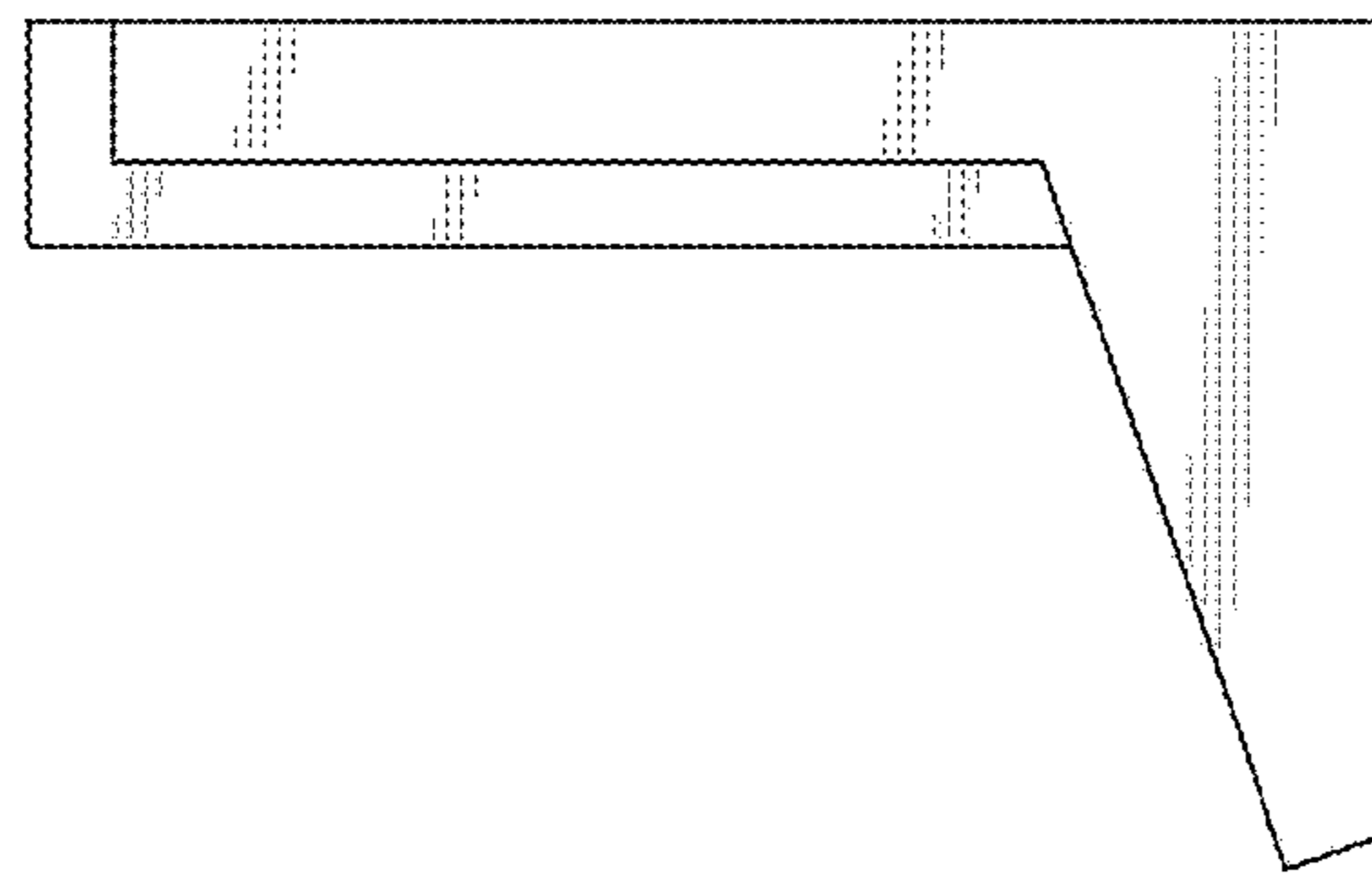


FIG. 4

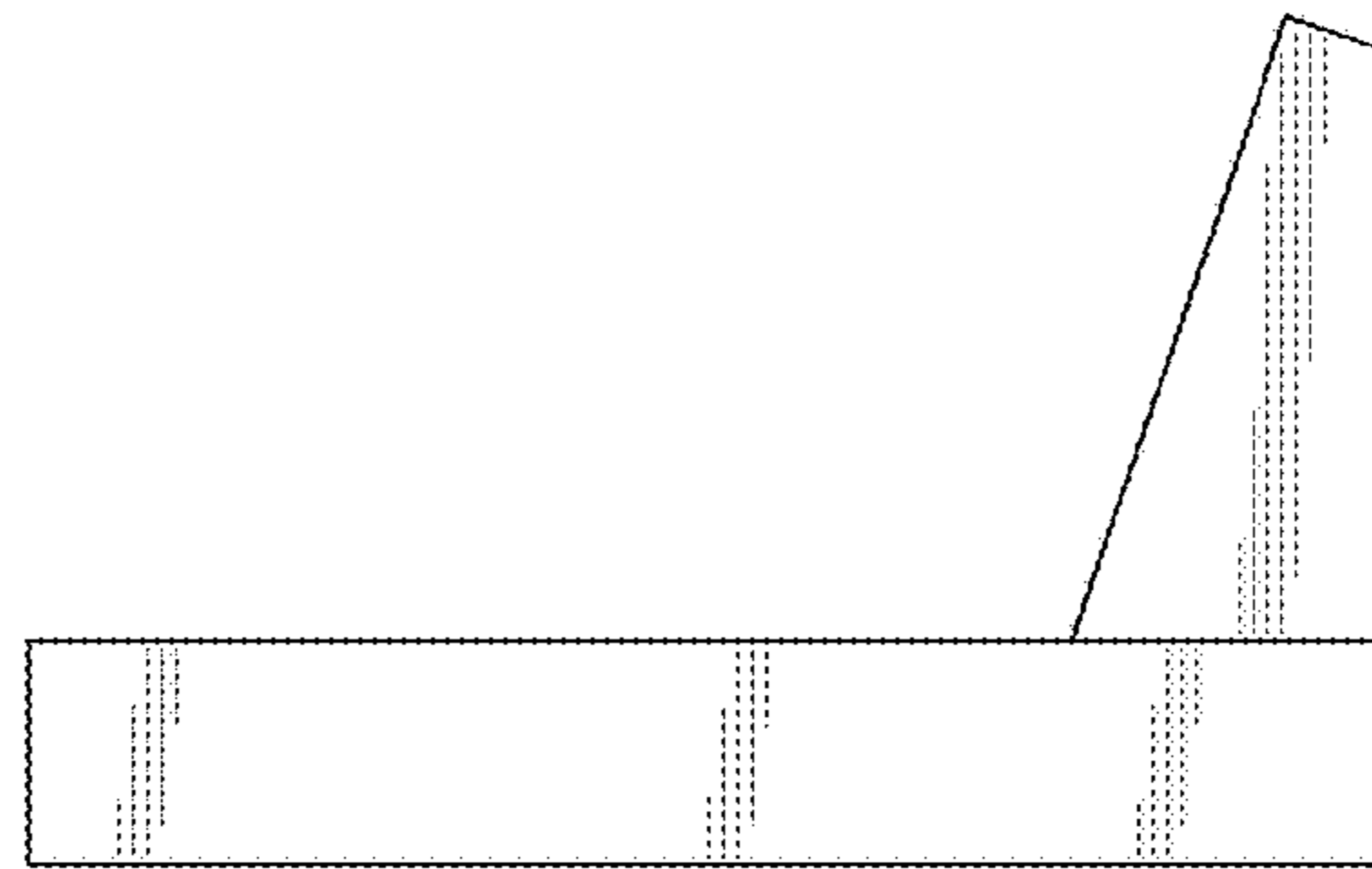


FIG. 5

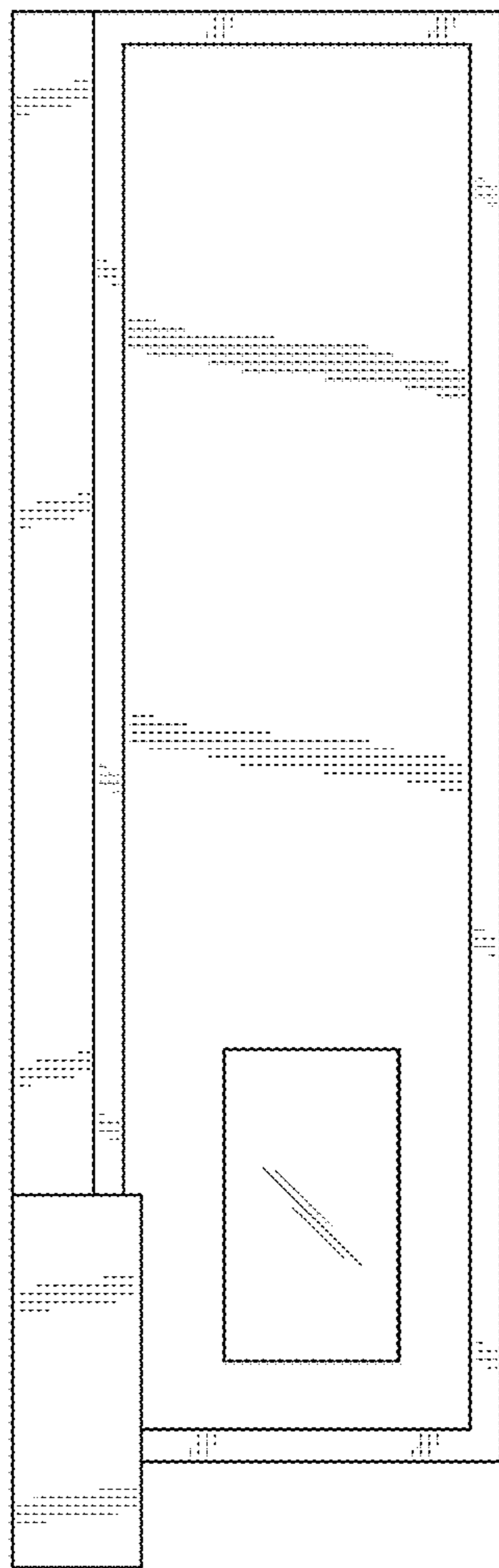


FIG. 6



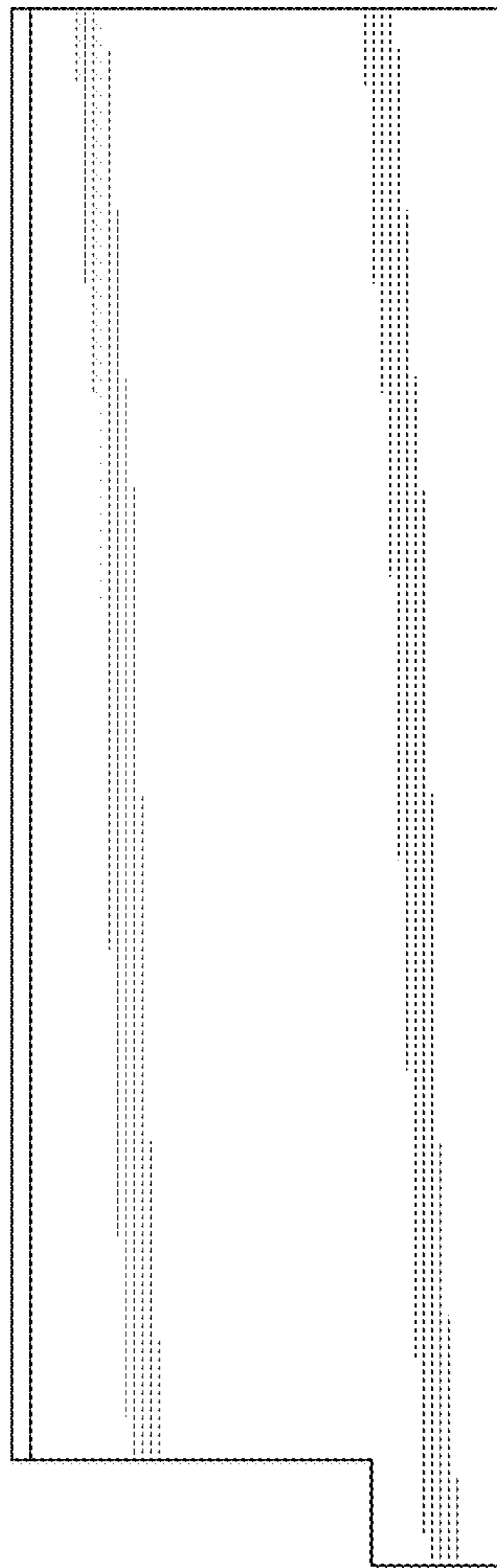


FIG. 7

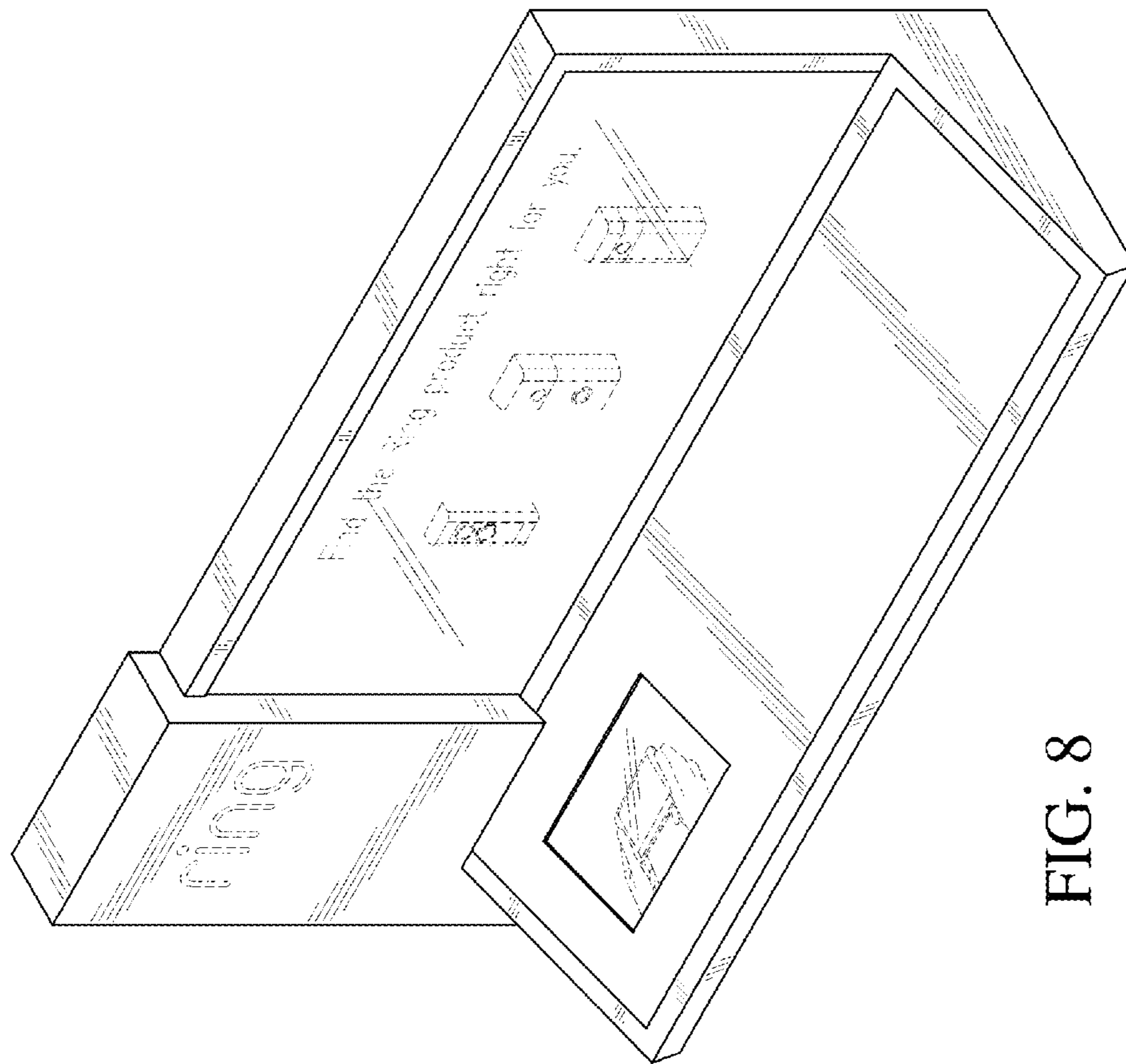


FIG. 8