

US00D842624S

(12) **United States Design Patent**  
**Tummarello**

(10) **Patent No.:** **US D842,624 S**  
(45) **Date of Patent:** **\*\* Mar. 12, 2019**

(54) **PLACE SETTING BAND**

(71) Applicant: **Margaret H. Tummarello**, McKinney, TX (US)

(72) Inventor: **Margaret H. Tummarello**, McKinney, TX (US)

(\*\*) Term: **15 Years**

(21) Appl. No.: **29/573,791**

(22) Filed: **Aug. 9, 2016**

**Related U.S. Application Data**

(63) Continuation-in-part of application No. 29/490,124, filed on May 7, 2014, now abandoned.

(51) **LOC (11) Cl.** ..... **06-13**

(52) **U.S. Cl.**  
USPC ..... **D6/595**

(58) **Field of Classification Search**  
USPC ..... D6/595, 606, 616; D7/631-633; D8/368  
CPC .... A47G 21/16; A47G 11/00; A47G 23/0303;  
A47G 21/00; A47G 21/14; A47G 19/06  
See application file for complete search history.

(56) **References Cited**

**U.S. PATENT DOCUMENTS**

- 178,112 A \* 5/1876 Byrkit ..... A47G 21/145  
248/37.3
- 3,376,974 A \* 4/1968 Hilliard ..... A47G 11/00  
206/217
- 4,177,846 A \* 12/1979 Rountree ..... A45F 3/46  
108/90

- D475,231 S \* 6/2003 Briles ..... D3/328
- D581,117 S \* 11/2008 Blom ..... D32/40
- D654,639 S \* 2/2012 Huber ..... D30/153
- D665,214 S \* 8/2012 Vagliardo ..... D6/616
- D669,292 S \* 10/2012 Mekpongsatorn ..... D6/613

\* cited by examiner

*Primary Examiner* — R. Johnson  
(74) *Attorney, Agent, or Firm* — Law Office of Jeff Williams; J. Oliver Williams

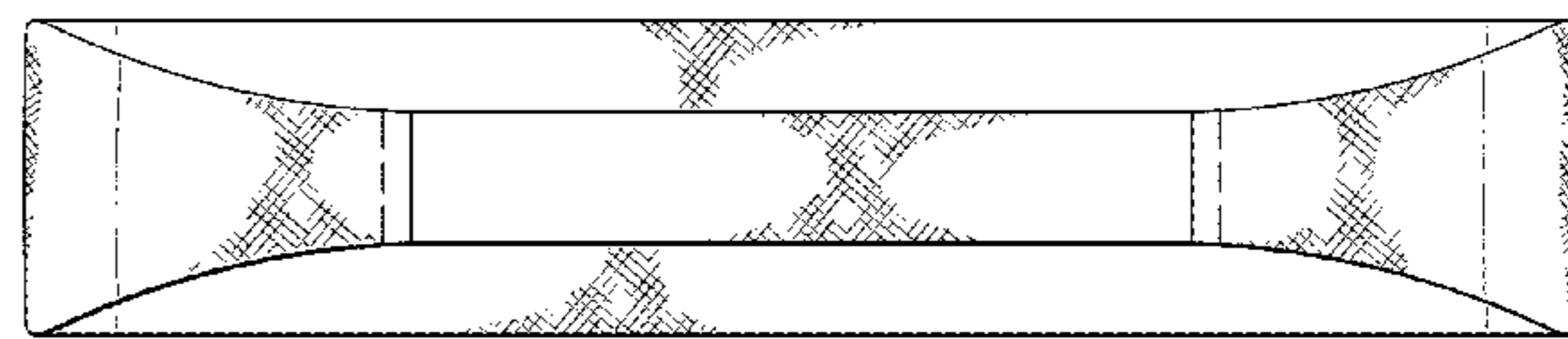
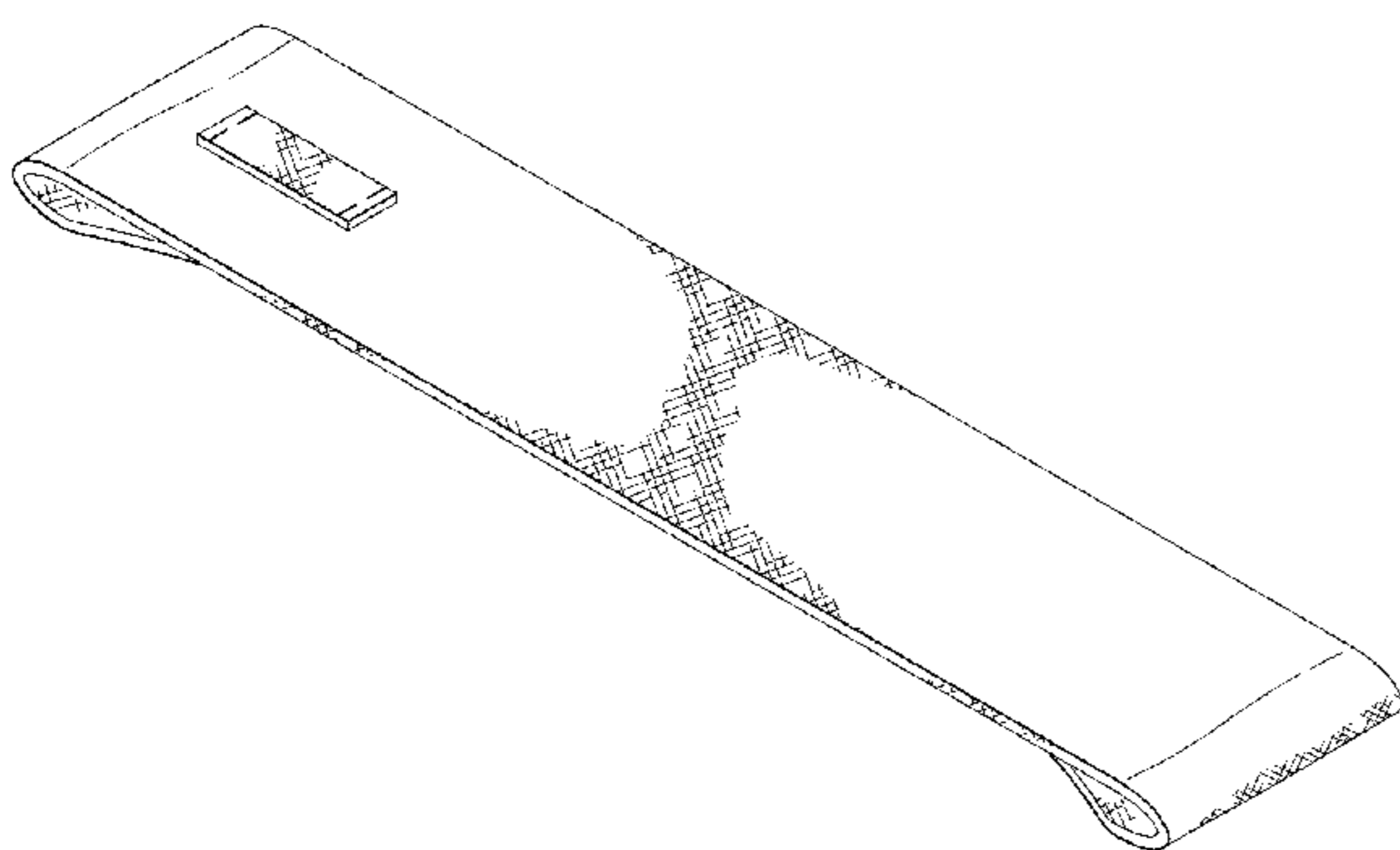
(57) **CLAIM**

The ornamental design for a place setting band, as shown and described.

**DESCRIPTION**

FIG. 1 is a top oblique view of a place setting band according to the present application.  
 FIG. 2 is a top view of the place setting band of FIG. 1.  
 FIG. 3 is a bottom view of the place setting band of FIG. 1.  
 FIG. 4 is a right view of the place setting band of FIG. 1.  
 FIG. 5 is a left view of the place setting band of FIG. 1.  
 FIG. 6 is a rear view of the place setting band of FIG. 1.  
 FIG. 7 is a front view of the place setting band of FIG. 1.  
 FIG. 8 is an oblique view of the place setting band of FIG. 1.  
 FIG. 9 is a front view of the place setting band of FIG. 8; and,  
 FIG. 10 is a top section view of the place setting band of FIG. 7.  
 The parts of the place setting band drawn in broken line depict portions of the article that form no part of the claimed design.

**1 Claim, 4 Drawing Sheets**



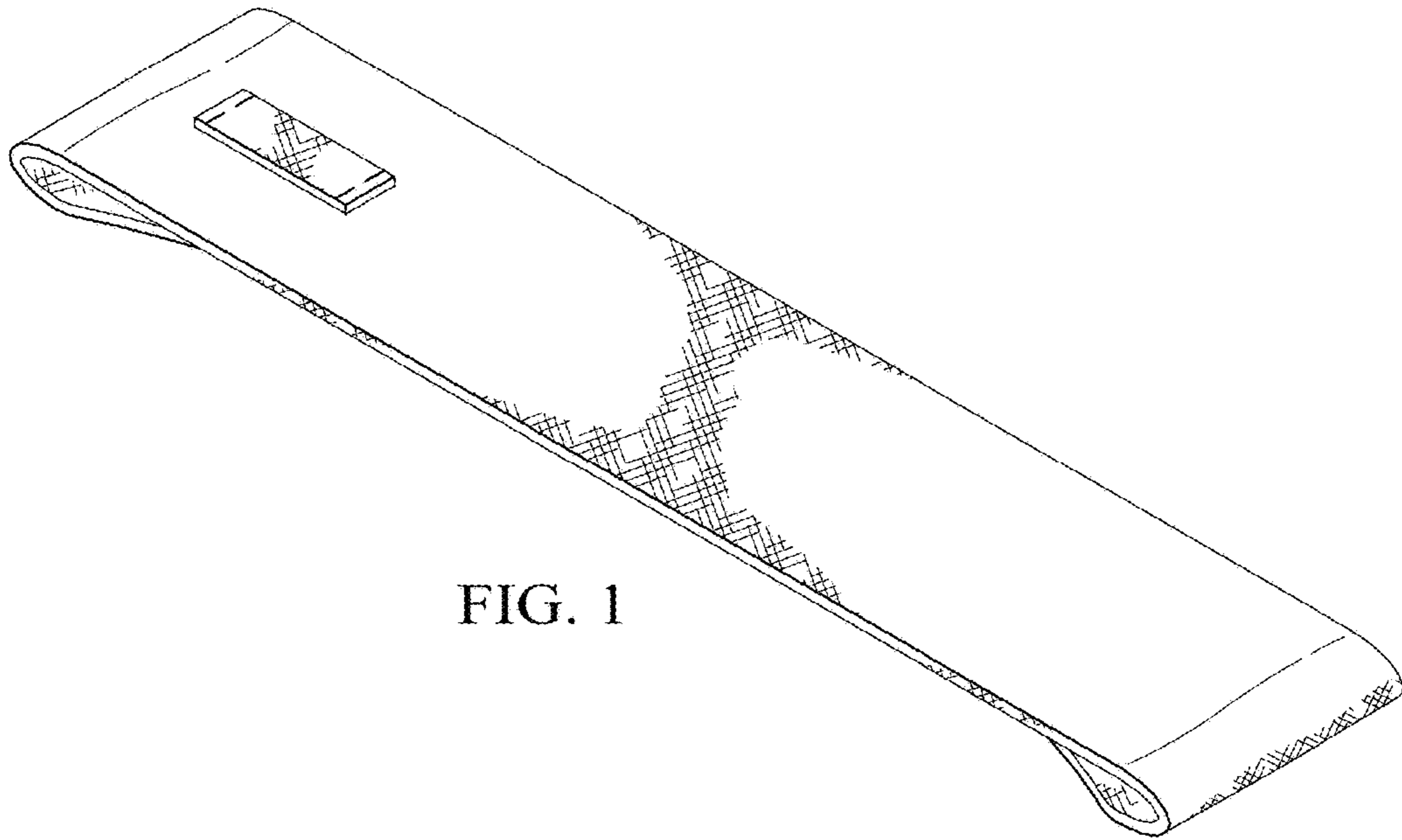


FIG. 1

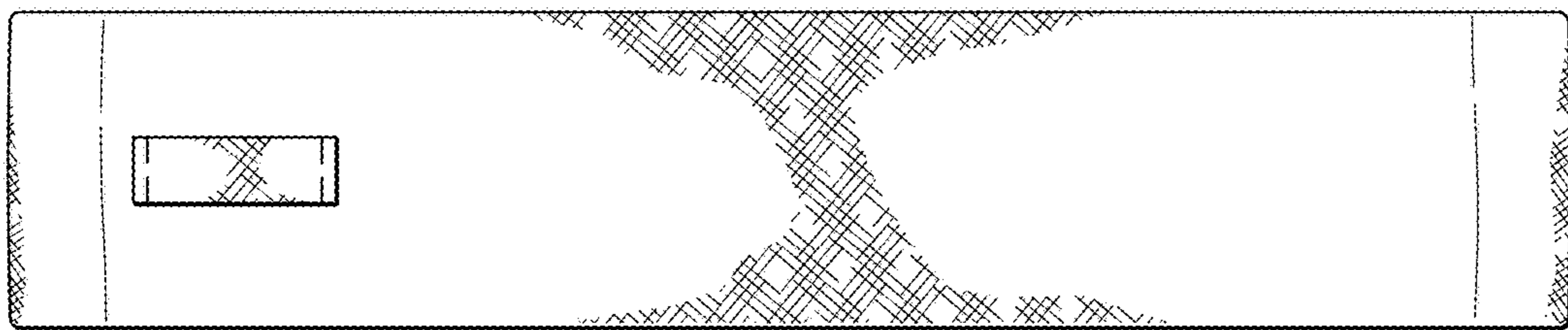


FIG. 2

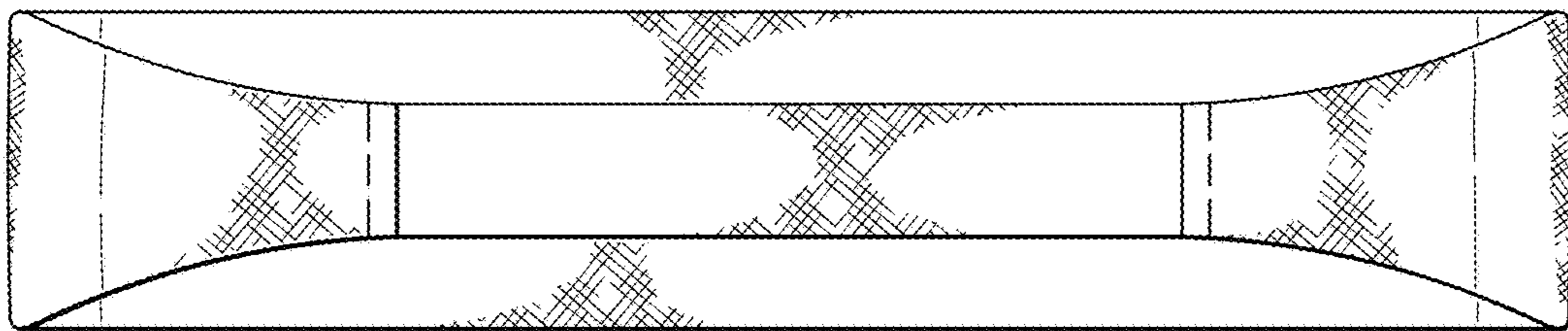


FIG. 3



FIG. 4

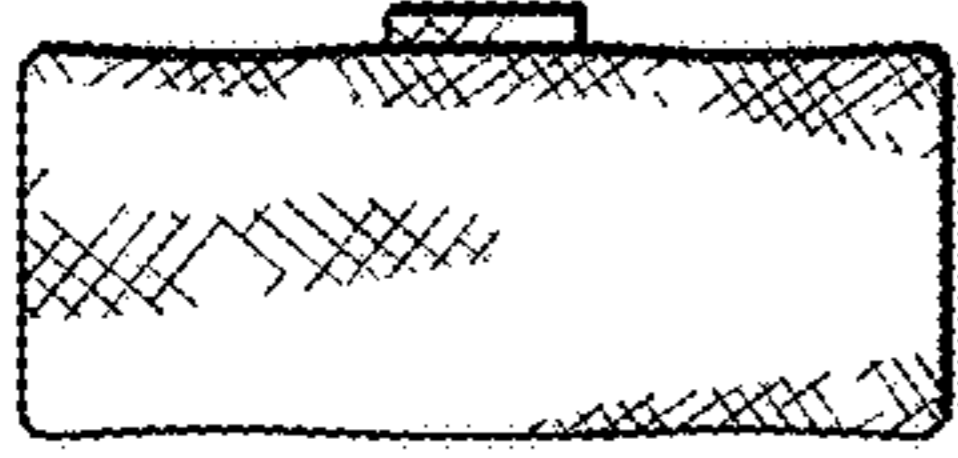


FIG. 5

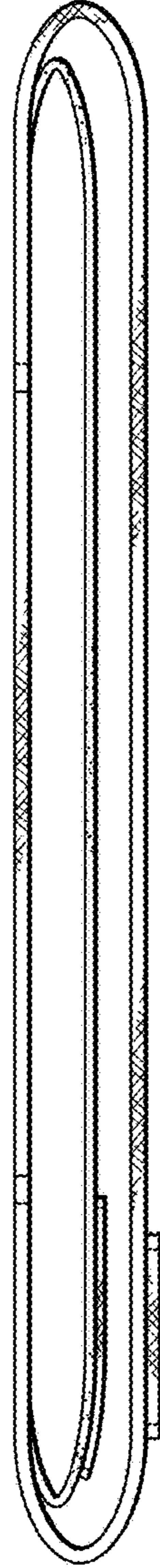


FIG. 6

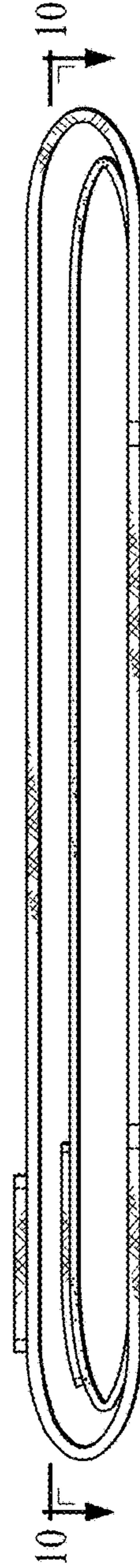


FIG. 7

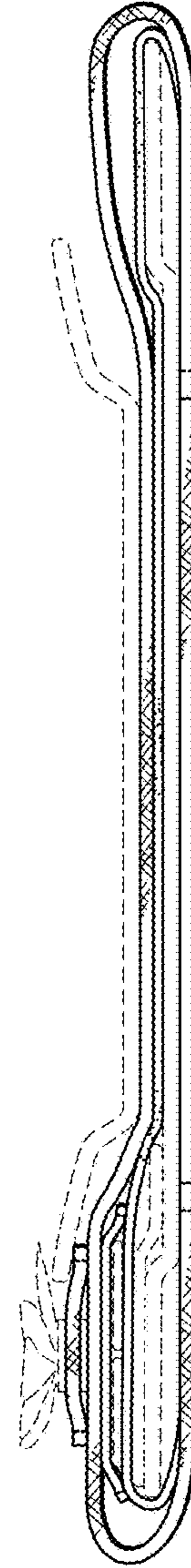


FIG. 9

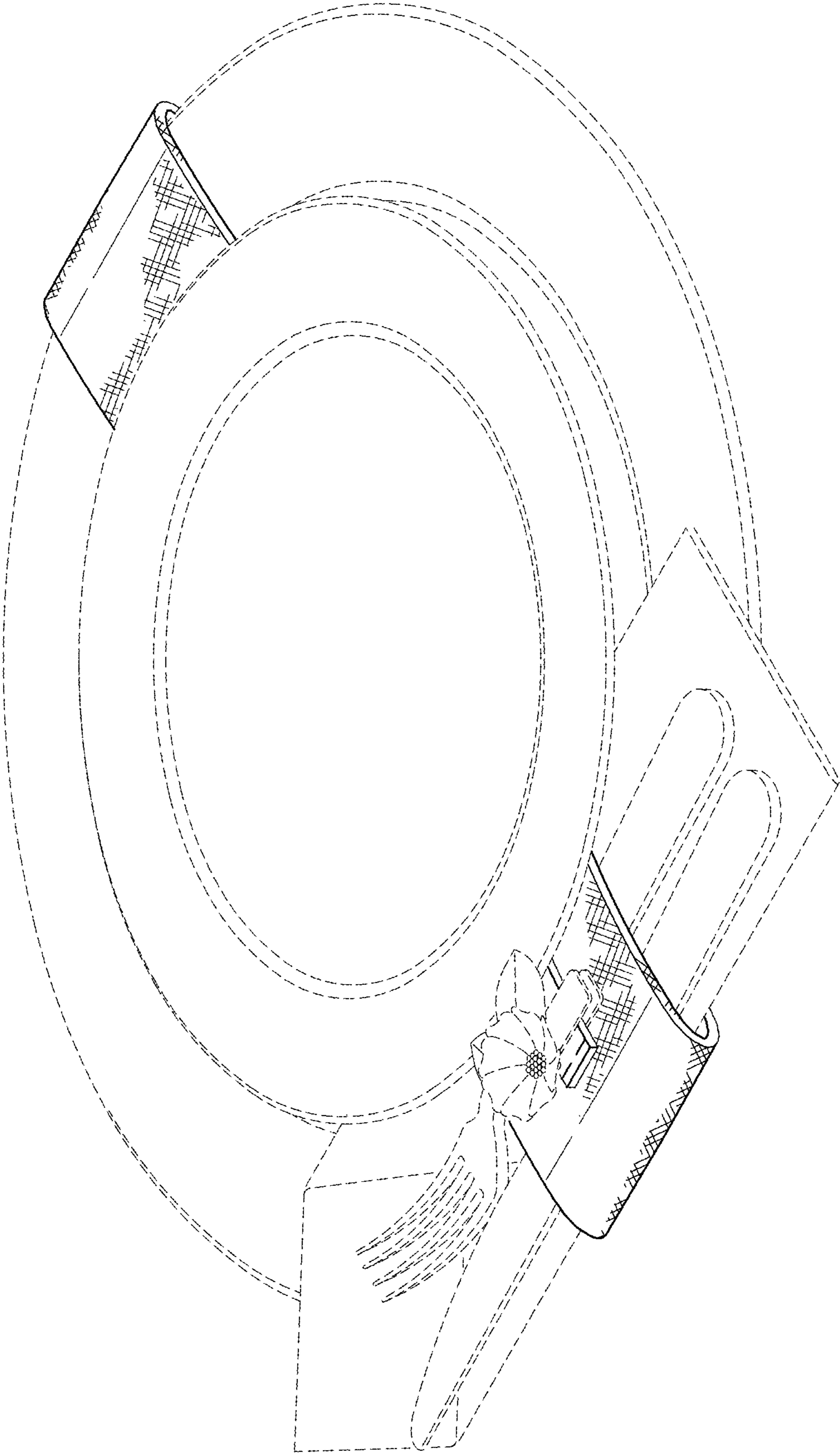


FIG. 8

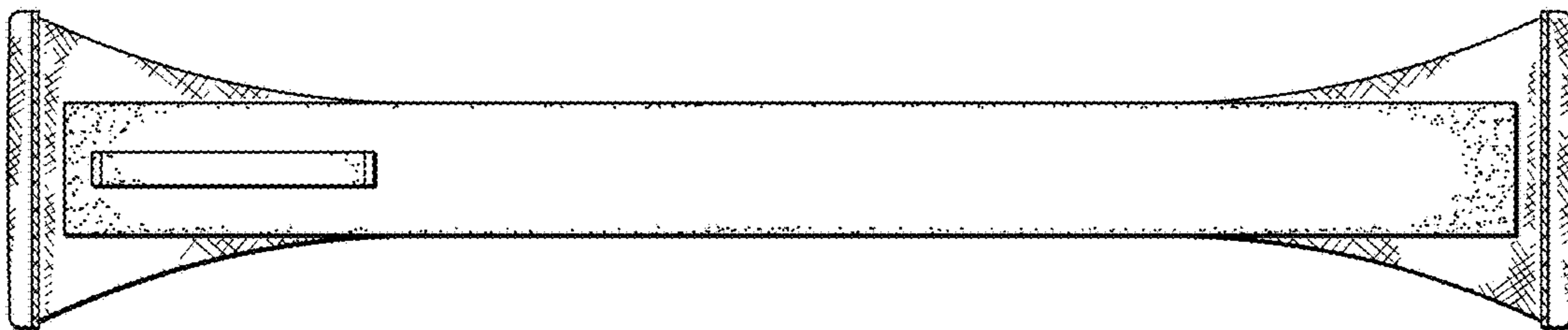


FIG. 10