

US00D842623S

(12) **United States Design Patent**
Lankford

(10) **Patent No.:** **US D842,623 S**
(45) **Date of Patent:** **** Mar. 12, 2019**

(54) **WINDOW TREATMENT**
(71) Applicant: **Robin Kylie Lankford**, Hixson, TN
(US)
(72) Inventor: **Robin Kylie Lankford**, Hixson, TN
(US)
(**) Term: **15 Years**

2,501,133 A * 3/1950 Levy A47H 2/00
160/38
2,526,806 A * 10/1950 Charbonneau E06B 9/323
160/38
2,549,448 A * 4/1951 Ganter A47H 2/00
160/19
2,572,036 A * 10/1951 Junkunc A47H 2/00
160/19
D165,515 S * 12/1951 Eckert A47H 2/00
160/19

(Continued)

(21) Appl. No.: **29/626,555**

(22) Filed: **Nov. 17, 2017**

(51) **LOC (11) Cl.** **06-10**

(52) **U.S. Cl.**
USPC **D6/580**

(58) **Field of Classification Search**

USPC D6/575-581; D8/358, 376; D25/55,
D25/119, 121, 123, 125; D26/138;
D13/155
CPC . A01G 9/222; A47H 1/04; A47H 1/13; A47H
23/00; A47H 23/01; A47H 23/06; A47H
23/10; A47H 5/00; A47H 5/03; A47H
5/06; E06B 2009/1505; E06B 2009/247;
E06B 2009/2476; E06B 2009/2494; E06B
2009/2622; E06B 2009/2625; E06B
2009/2627; E06B 2009/524; E06B 9/24;
E06B 9/26; E06B 9/262; E06B 9/264;
E06B 9/28; E06B 9/302; E06B 9/303;
E06B 9/322; E06B 9/323; E06B 9/34;
E06B 9/386; E06B 9/388; E06B 9/40;
E06B 9/42; E06B 9/521; E06B 9/56;
E06B 9/60

See application file for complete search history.

(56) **References Cited**

U.S. PATENT DOCUMENTS

653,484 A * 7/1900 McUllough A47H 2/00
160/19
2,293,662 A * 8/1942 Richardson A47H 1/122
160/19

Blind Attire Home Decor Facebook Profile Page. Facebook.com.
Multiple dates. <<https://www.facebook.com/BlindAttire/>>. Accessed
on Sep. 13, 2018.*

(Continued)

Primary Examiner — Kevin K Rudzinski
Assistant Examiner — Clare Ann Gannon
(74) *Attorney, Agent, or Firm* — The Law Firm of Andrea
Hence Evans, LLC

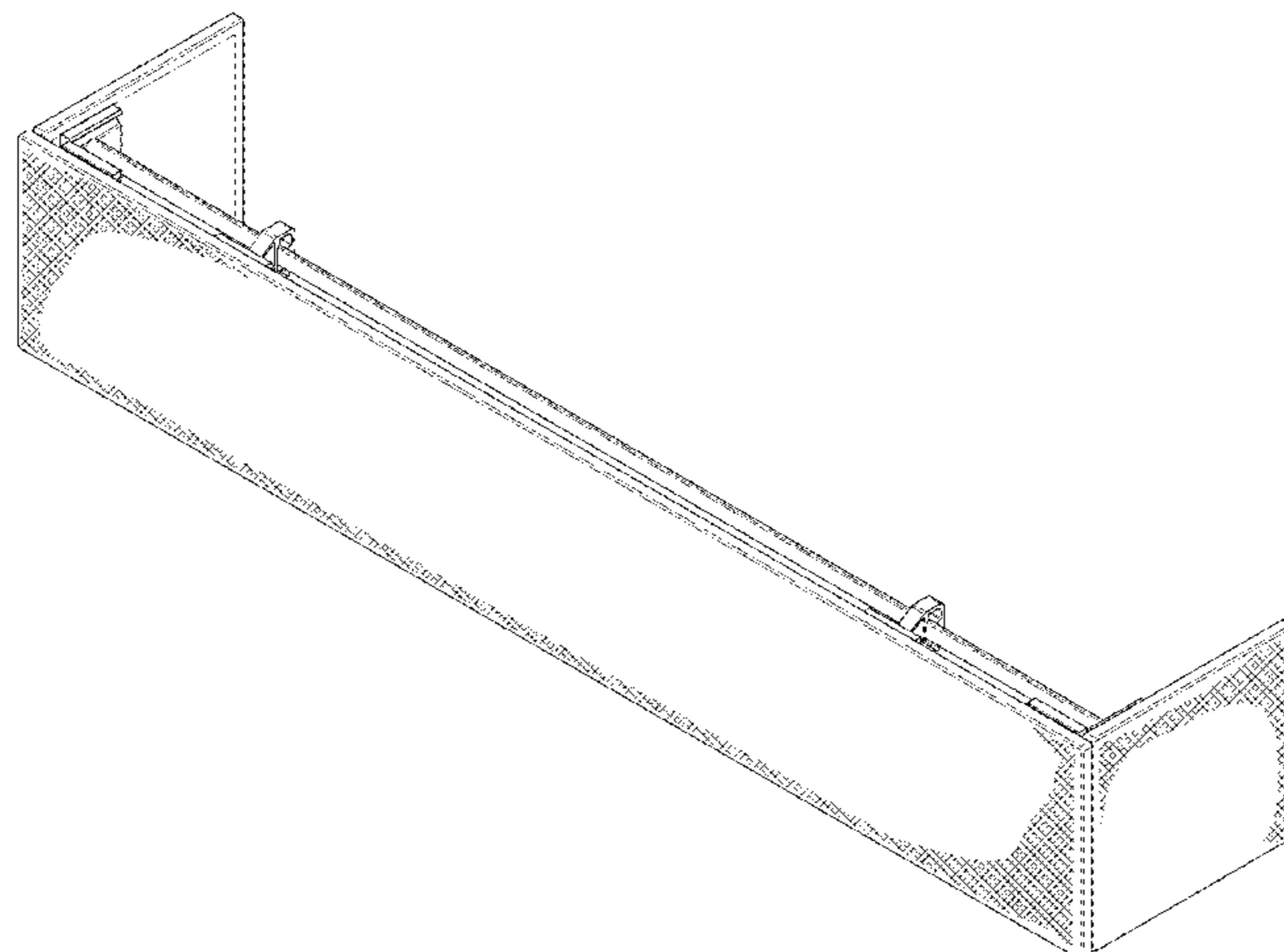
(57) **CLAIM**

The ornamental design for a window treatment, as shown
and described.

DESCRIPTION

FIG. 1 is a top front right isometric view of the window
treatment, showing my new design;
FIG. 2 is a top rear right isometric view thereof;
FIG. 3 is a bottom rear left isometric view thereof;
FIG. 4 is a front elevational view thereof;
FIG. 5 is a rear elevational view thereof;
FIG. 6 is a left elevational view thereof;
FIG. 7 is a right elevational view thereof;
FIG. 7 is a right elevational view thereof;
FIG. 8 is a top plan view thereof; and,
FIG. 9 is a bottom plan view thereof.

1 Claim, 6 Drawing Sheets



(56)

References Cited

U.S. PATENT DOCUMENTS

2,594,655 A * 4/1952 Junkunc E06B 9/323
160/38
2,594,656 A * 4/1952 Junkunc A47H 1/122
160/38
2,597,578 A * 5/1952 Ganter E06B 9/323
160/38
2,616,495 A * 11/1952 Junkunc E06B 9/323
160/38
2,637,380 A * 5/1953 Hyde A47H 2/00
160/38
2,640,533 A * 6/1953 Junkunc A47H 2/02
160/19
2,679,373 A * 5/1954 Henley A47H 1/142
248/205.1
2,698,154 A * 12/1954 Woodward A47H 2/00
211/105.2
2,783,014 A * 2/1957 Kenney A47H 1/13
248/263
2,796,925 A * 6/1957 Woodward A47H 2/00
160/19
2,824,606 A * 2/1958 Lorentzen A47H 2/00
160/38
4,222,156 A * 9/1980 Anderle E06B 9/323
160/38
4,354,300 A * 10/1982 Anderle E06B 9/323
160/38
D298,103 S * 10/1988 Rose E06B 9/323
D6/580
D318,592 S * 7/1991 Byrne E06B 9/36
D6/579
5,259,687 A * 11/1993 John A47H 2/00
160/38

D364,300 S * 11/1995 Ohanesian A47H 2/00
D6/579
D365,955 S * 1/1996 Fimbres A47H 2/00
D6/579
D379,729 S * 6/1997 Ohanesian A47H 2/00
D25/55
D439,459 S * 3/2001 Ohanesian A47H 2/00
D6/579
D440,097 S * 4/2001 Peterson A47H 2/00
D6/580
D530,966 S * 10/2006 Counard A47H 2/00
D6/576
8,678,068 B1 * 3/2014 Hobart A47H 2/00
160/38
2008/0179015 A1 * 7/2008 Ferguson A47H 2/00
160/38
2008/0230186 A1 * 9/2008 Briggs A47H 2/00
160/38
2008/0295423 A1 * 12/2008 Libretti-Landolfi A47H 2/00
52/204.53
2009/0032199 A1 * 2/2009 Woods E06B 9/36
160/34
2009/0126881 A1 * 5/2009 Chi A47H 2/00
160/368.1

OTHER PUBLICATIONS

Blind Attire image post dated Mar. 27, 2017. Facebook.com. Mar. 27, 2017. <<https://www.facebook.com/BlindAttire/photos/a.709811852475057/1140832036039701/?type=3&theater>>. Accessed on Sep. 13, 2018.*
“Easy DIY Wooden Window Cornice.” Chaotically Creative web blog. Oct. 20, 2016 <<https://chaoticallycreative.com/easy-diy-wooden-window-cornice/>>. Accessed on Sep. 13, 2018.*

* cited by examiner

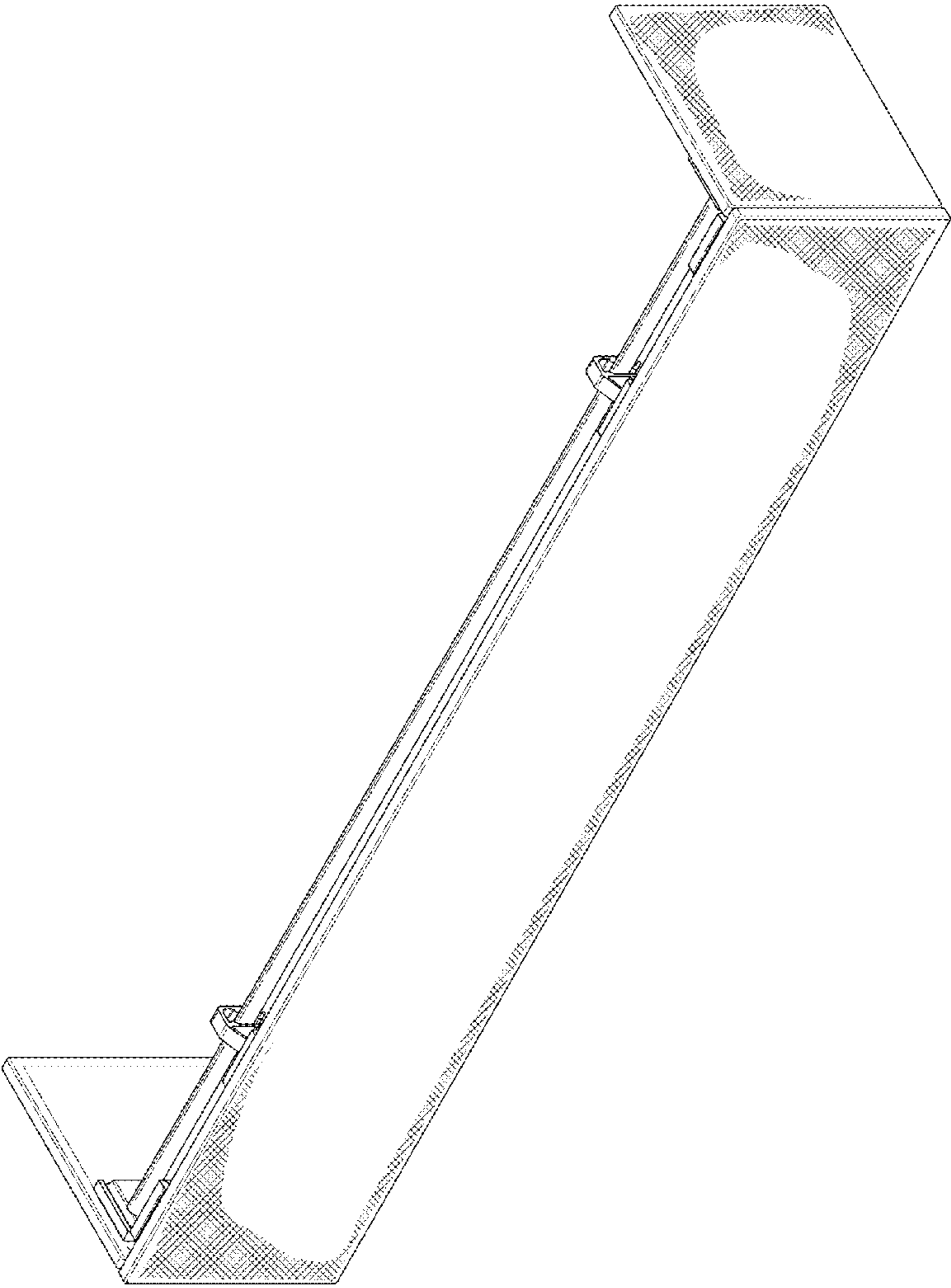


FIG. 1

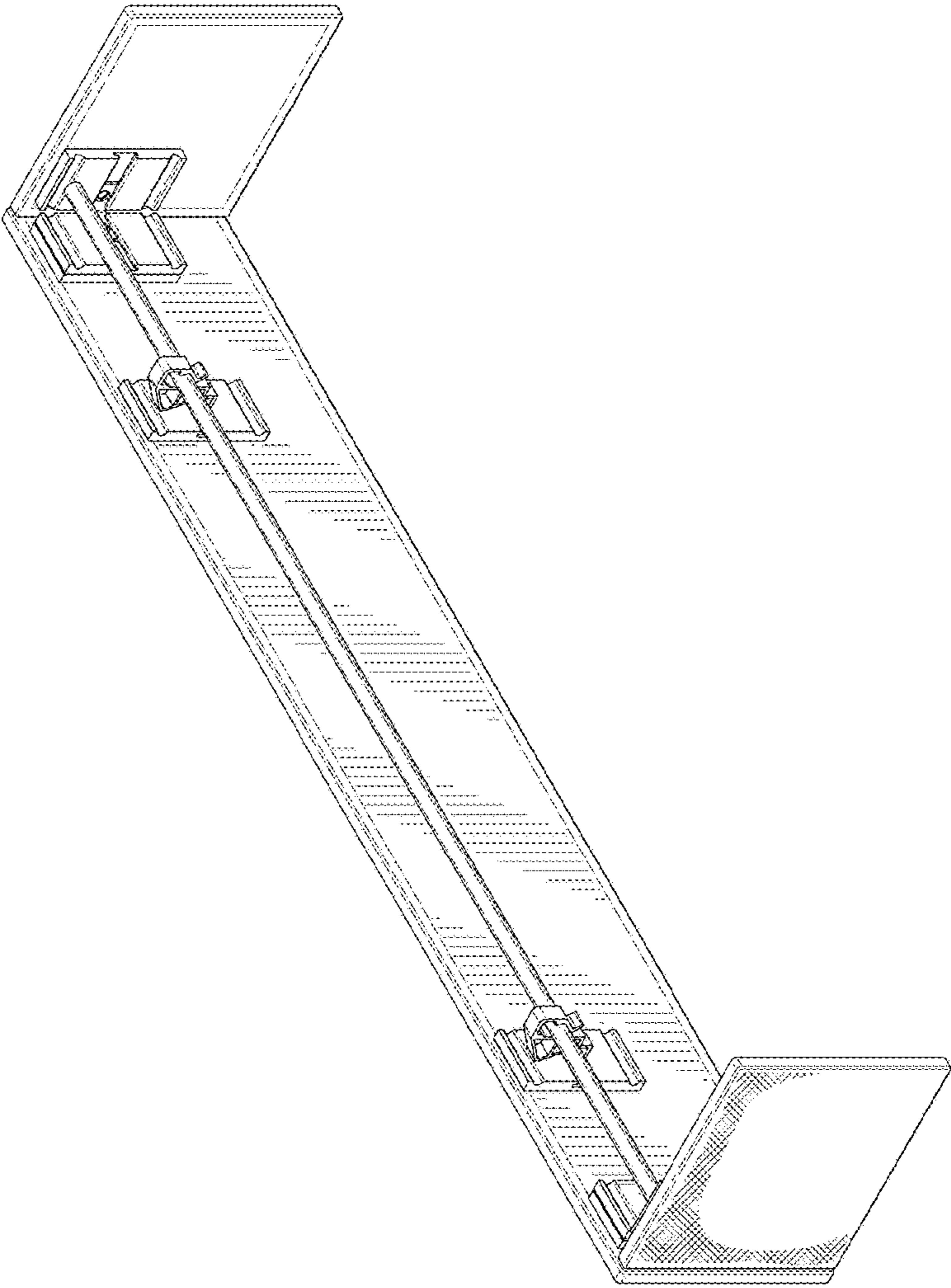


FIG. 2

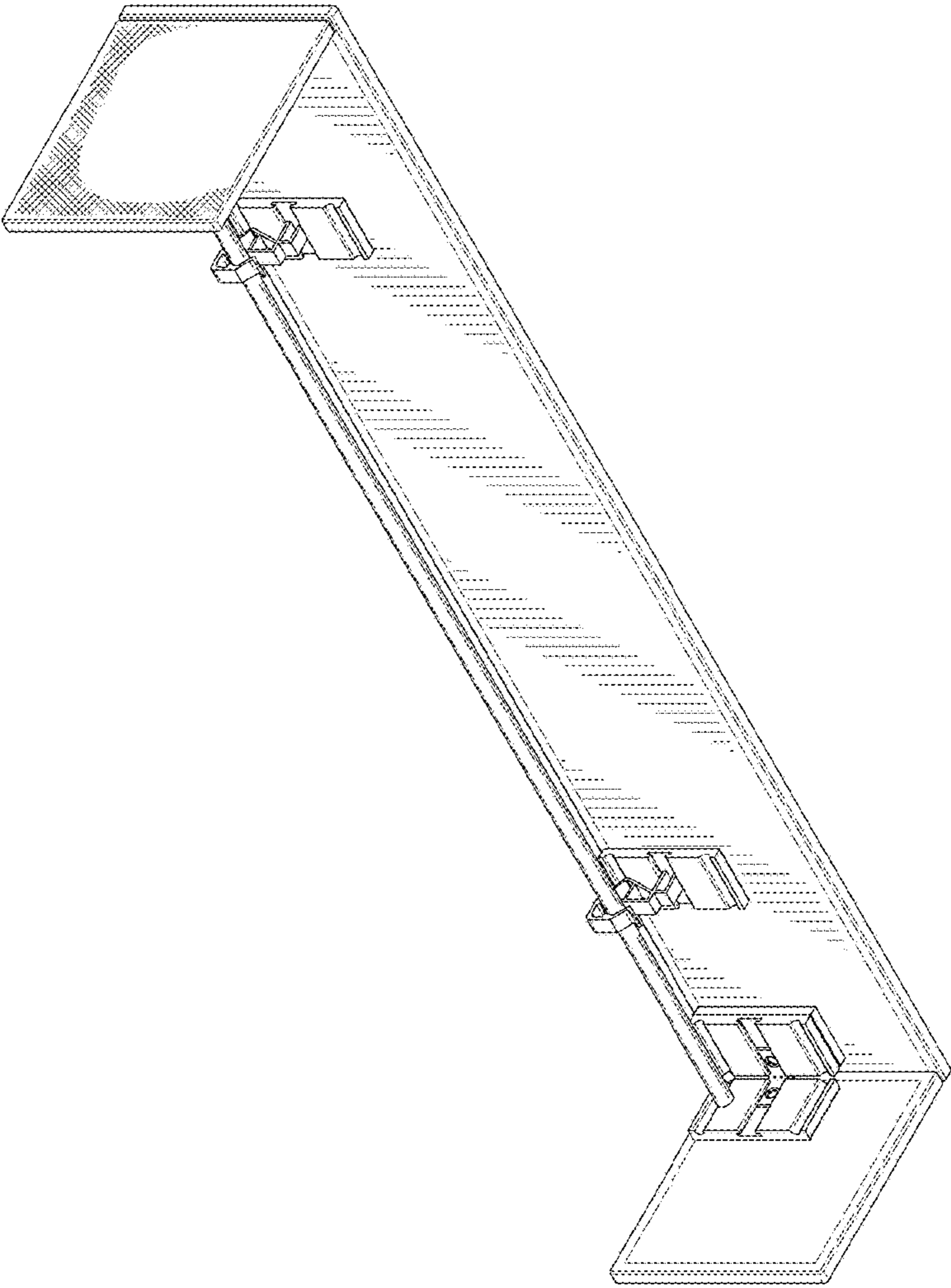


FIG. 3

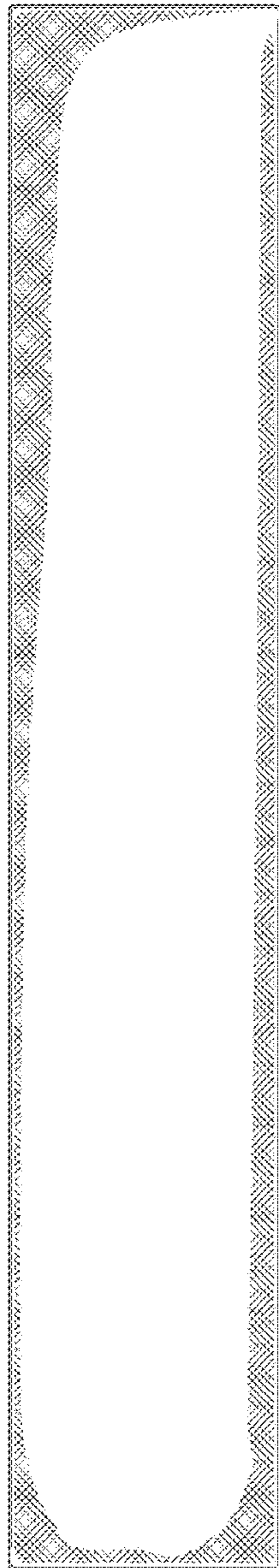


FIG. 4

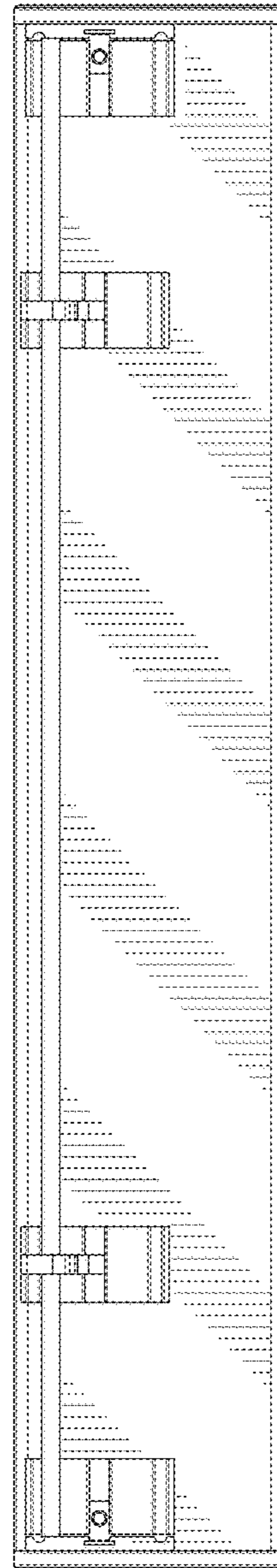


FIG. 5

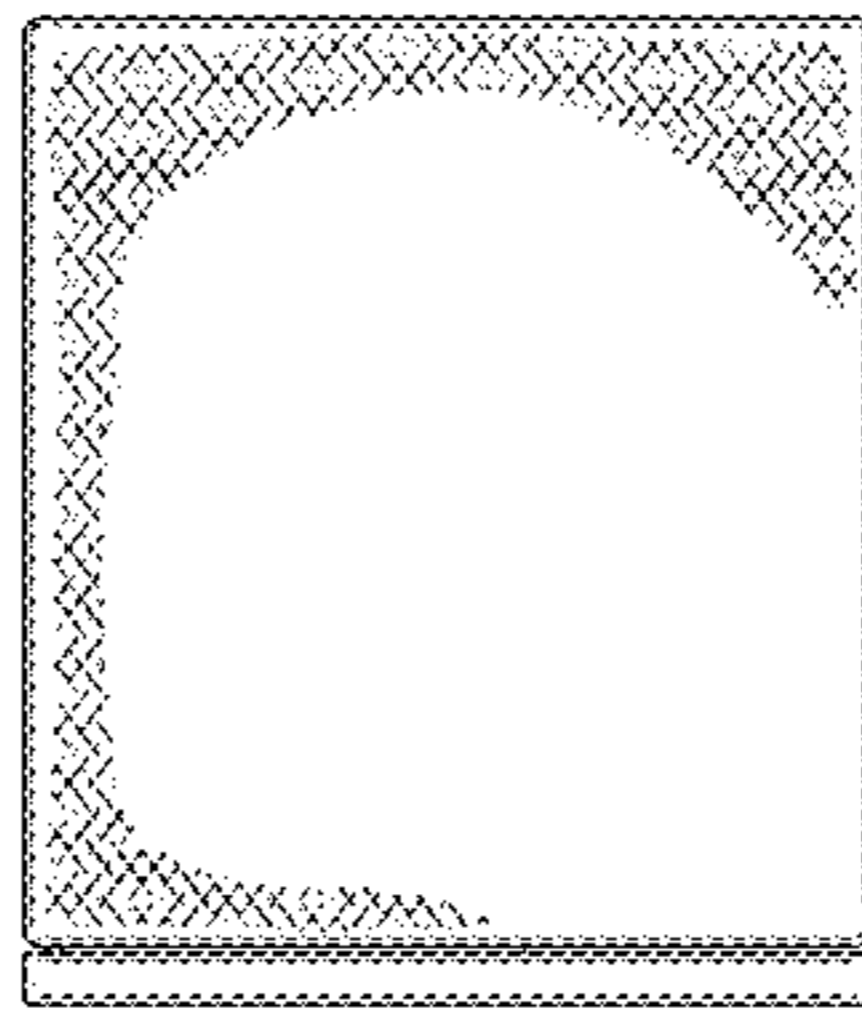


FIG. 7

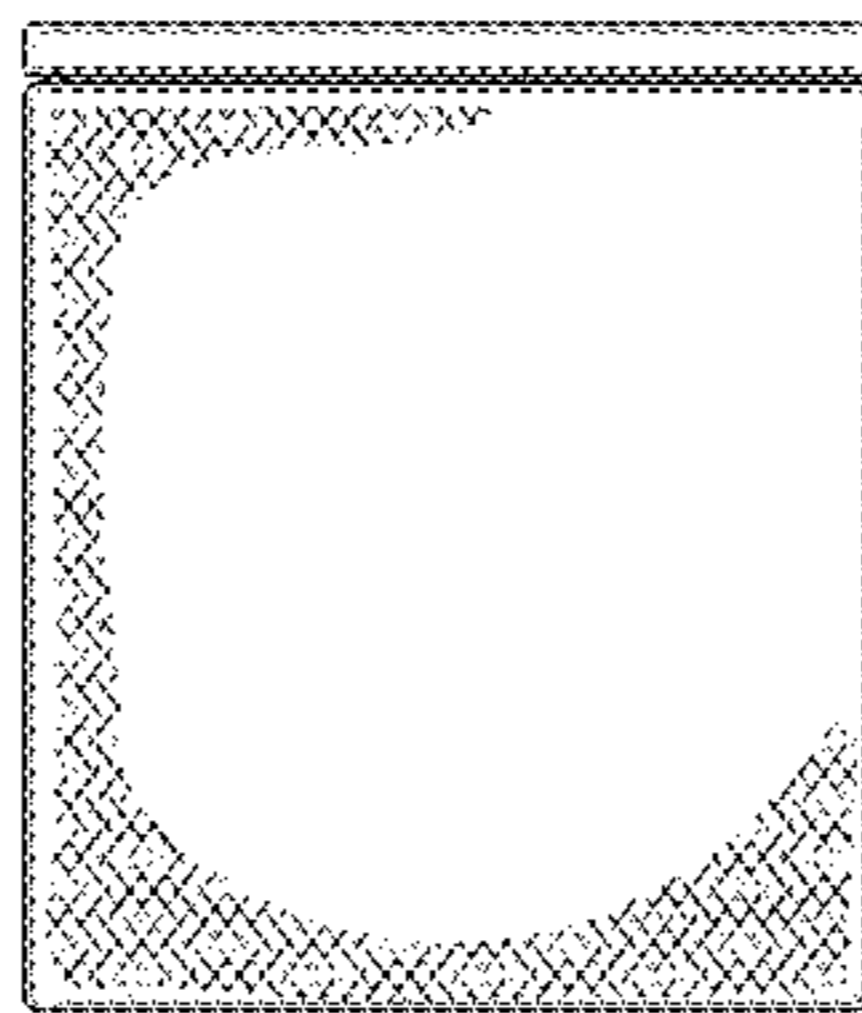


FIG. 6

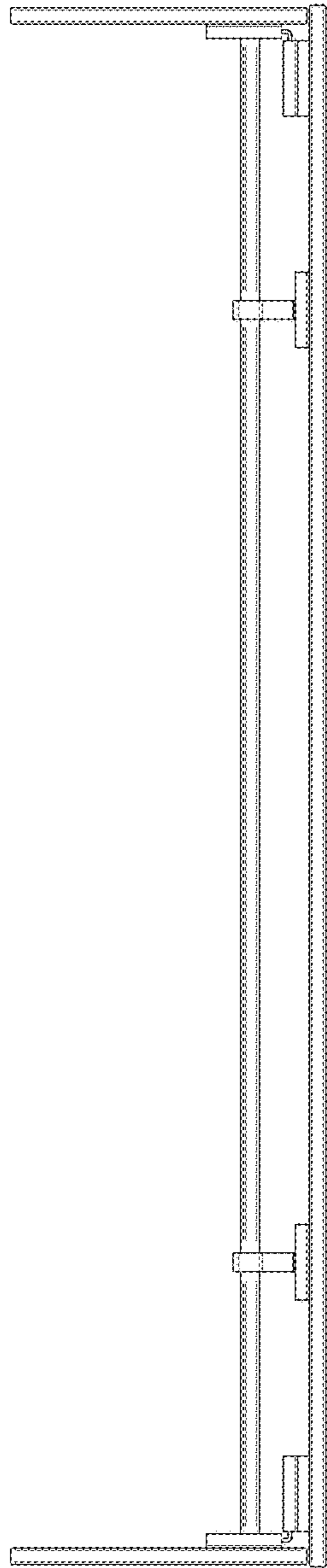


FIG. 8

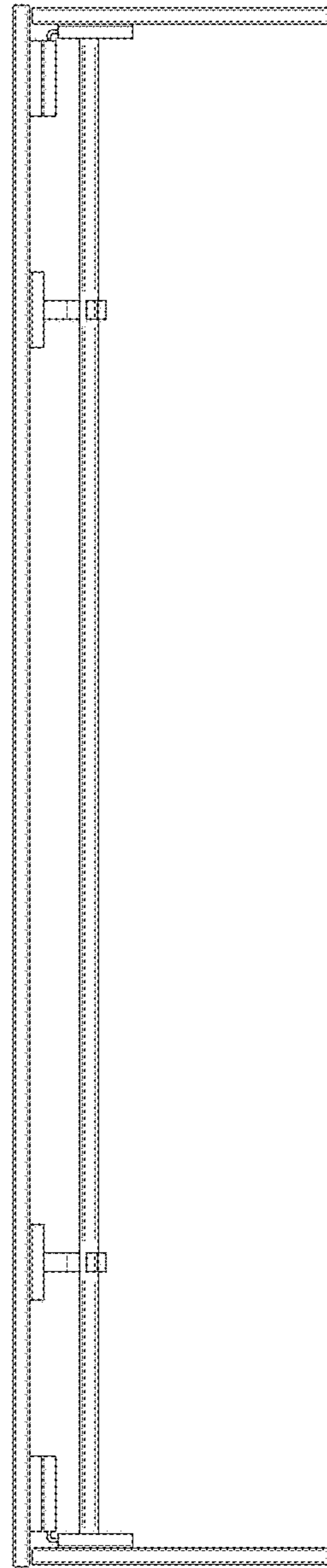


FIG. 9