



US00D842622S

(12) **United States Design Patent** (10) **Patent No.:** **US D842,622 S**
Wilson et al. (45) **Date of Patent:** **** Mar. 12, 2019**

(54) **SHELF**
(71) Applicant: **Spectrum Diversified Designs, LLC**,
Streetsboro, OH (US)
(72) Inventors: **Courtney Wilson**, Chardon, OH (US);
Aaron D. Goodman, Beachwood, OH
(US)
(73) Assignee: **Spectrum Diversified Designs, LLC**,
Streetsboro, OH (US)

D322,378 S * 12/1991 Colman D3/306
D336,698 S * 6/1993 Conaway D3/307
5,449,076 A * 9/1995 Van Noord A47F 1/126
211/106
D381,363 S * 7/1997 Jackson D19/92
D407,930 S * 4/1999 Camilleri D3/306
D442,002 S * 5/2001 Rodack D6/566
D455,460 S * 4/2002 Cheris D19/92
D498,632 S * 11/2004 Anderson D6/566
D527,767 S * 9/2006 Hardy D19/92
D551,454 S * 9/2007 Cheng D3/306

(Continued)

(**) Term: **15 Years**
(21) Appl. No.: **29/633,583**
(22) Filed: **Jan. 15, 2018**
(51) **LOC (11) Cl.** **06-04**
(52) **U.S. Cl.**
USPC **D6/566; D6/574**
(58) **Field of Classification Search**
USPC D6/566, 574, 552-553, 567, 572, 511;
D3/304, 306; 108/161; 206/557;
211/13.1, 41.3, 41.4, 86.01, 88.01, 126.1,
211/134, 181.1; 248/302
CPC A47B 55/02; A47B 55/00; A47J 47/16
See application file for complete search history.

OTHER PUBLICATIONS

Spectrum Diversified website, Pegboard Wall Mount Shelf & Tool Organizer, Dec. 3, 2018, <https://www.spectrumdiversified.com/products/pegboard-wall-mount-shelf-tool-organizer>.*

(Continued)

Primary Examiner — David G Muller
Assistant Examiner — Nathan M Johnston
(74) *Attorney, Agent, or Firm* — Renner, Otto, Boisselle and Sklar, LLP

(57) **CLAIM**

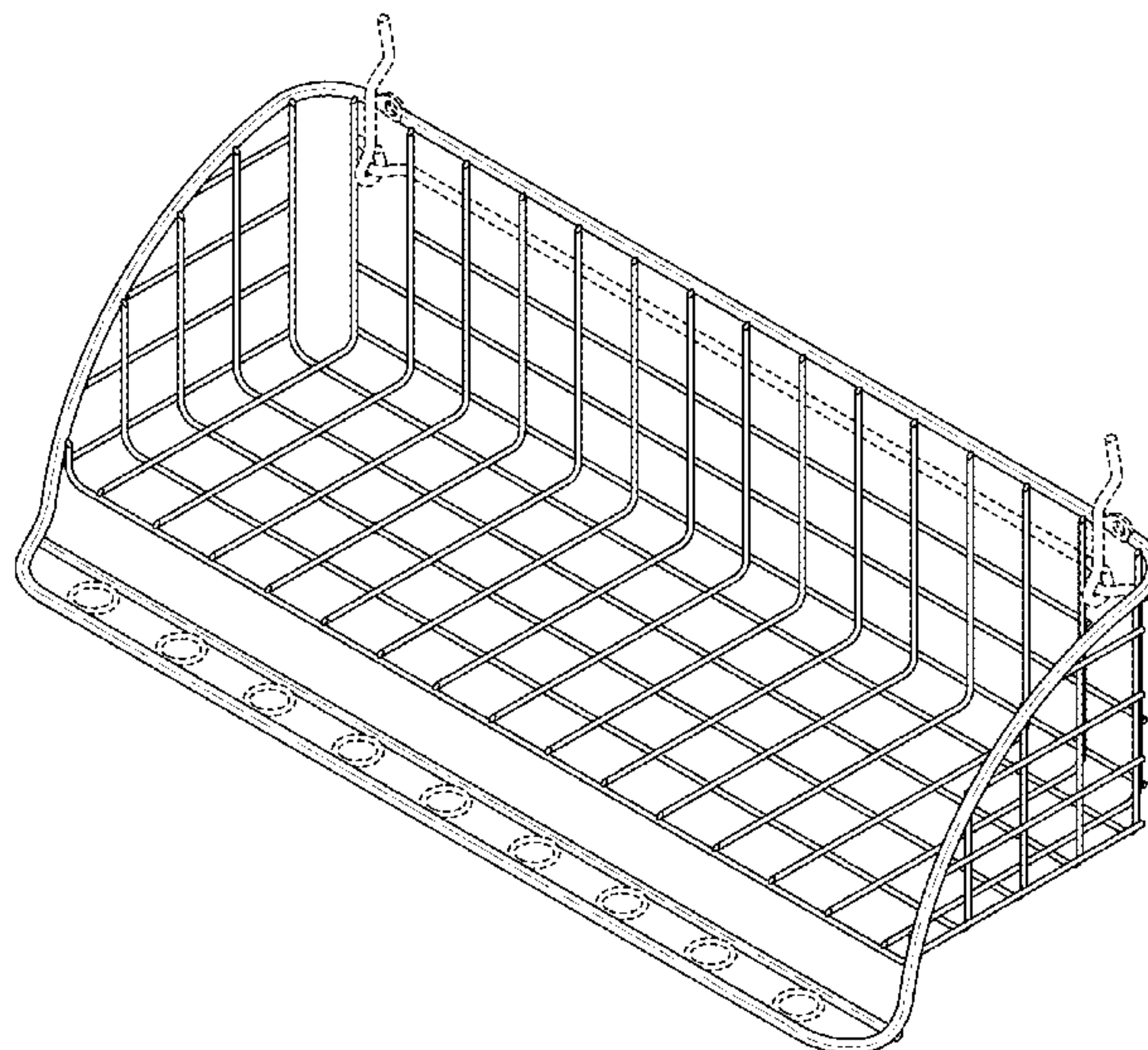
The ornamental design for a shelf, as shown and described.

DESCRIPTION

FIG. 1 is a top, right, front perspective view of a shelf showing our new design;
FIG. 2 is a front elevation view thereof;
FIG. 3 is a rear elevation view thereof;
FIG. 4 is a right side elevation view thereof;
FIG. 5 is a left side elevation view thereof;
FIG. 6 is a top plan view thereof; and,
FIG. 7 is a bottom plan view thereof.
The broken line showing is for the purpose of illustrating unclaimed portions of the article and forms no part of the claimed design.

(56) **References Cited**
U.S. PATENT DOCUMENTS
D33,268 S * 9/1900 Rix 49/46
D115,255 S * 6/1939 Taylor D6/566
2,746,609 A * 5/1956 Welsh A47B 55/02
108/149
D219,205 S * 11/1970 Propst D3/306
D242,888 S * 1/1977 Mazie D6/566
D242,965 S * 1/1977 Box D6/574
4,037,750 A * 7/1977 Box B65D 11/188
206/505
4,511,047 A * 4/1985 Elinsky A47F 5/0823
211/106

1 Claim, 4 Drawing Sheets



(56)

References Cited

U.S. PATENT DOCUMENTS

D617,591 S * 6/2010 Snider D3/306
D688,903 S 9/2013 Goodman et al.
D692,668 S * 11/2013 Hu D3/306
D693,577 S * 11/2013 Goodman D3/306
D697,310 S * 1/2014 Snider D3/306
D710,124 S * 8/2014 Goodman D3/306
D746,592 S 1/2016 Goodman et al.
D773,206 S * 12/2016 Chang D6/566
D784,698 S 4/2017 Goodman et al.
D784,721 S 4/2017 Goodman et al.
D786,557 S 5/2017 Goodman et al.
D808,605 S 1/2018 Goodman et al.
D811,121 S * 2/2018 Goodman D6/549
2003/0010736 A1* 1/2003 Hope D06F 58/04
211/133.5

OTHER PUBLICATIONS

U.S. Appl. No. 29/596,727, Goodman et al.
U.S. Appl. No. 29/631,879, Goodman et al.

* cited by examiner

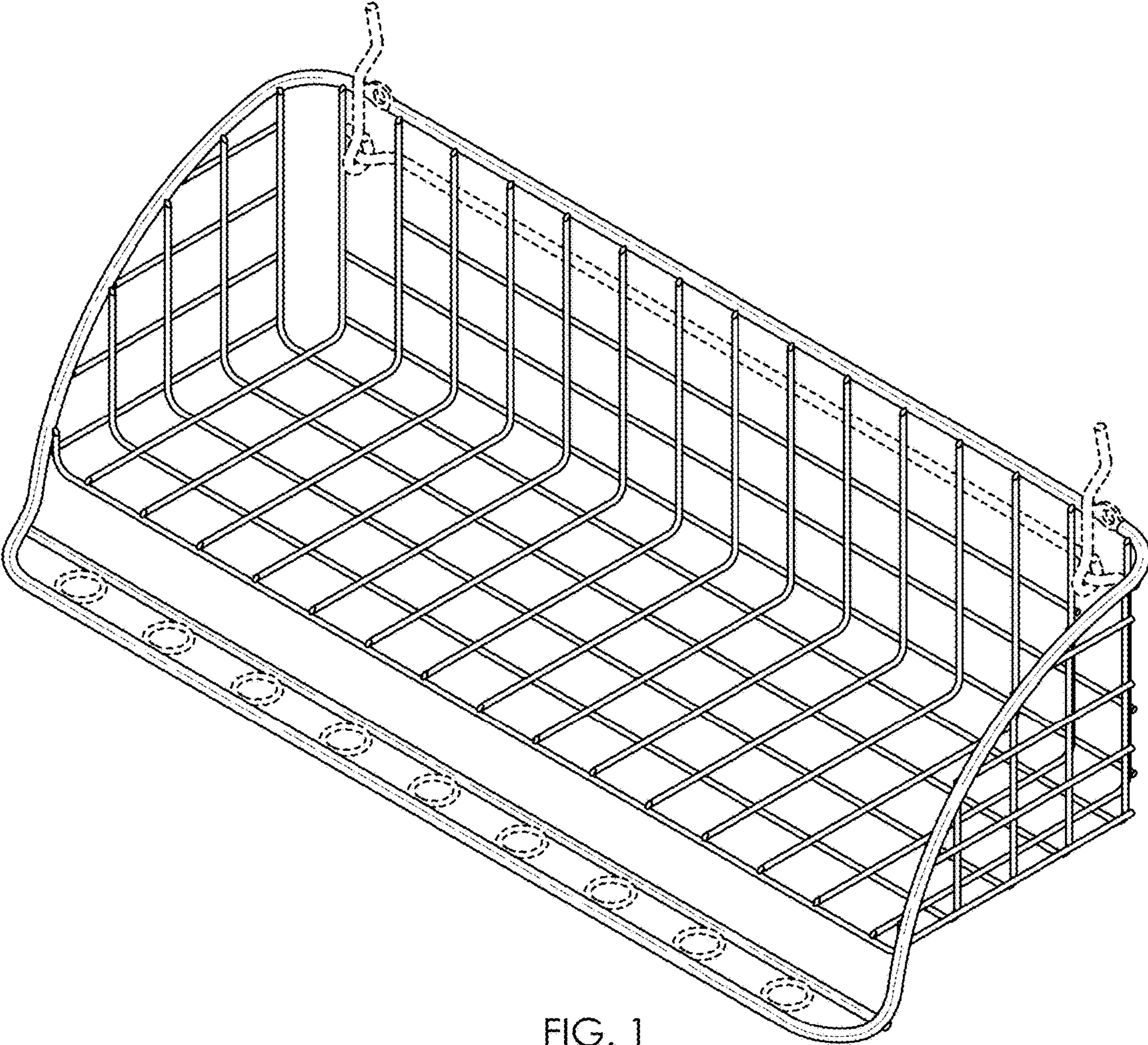


FIG. 1

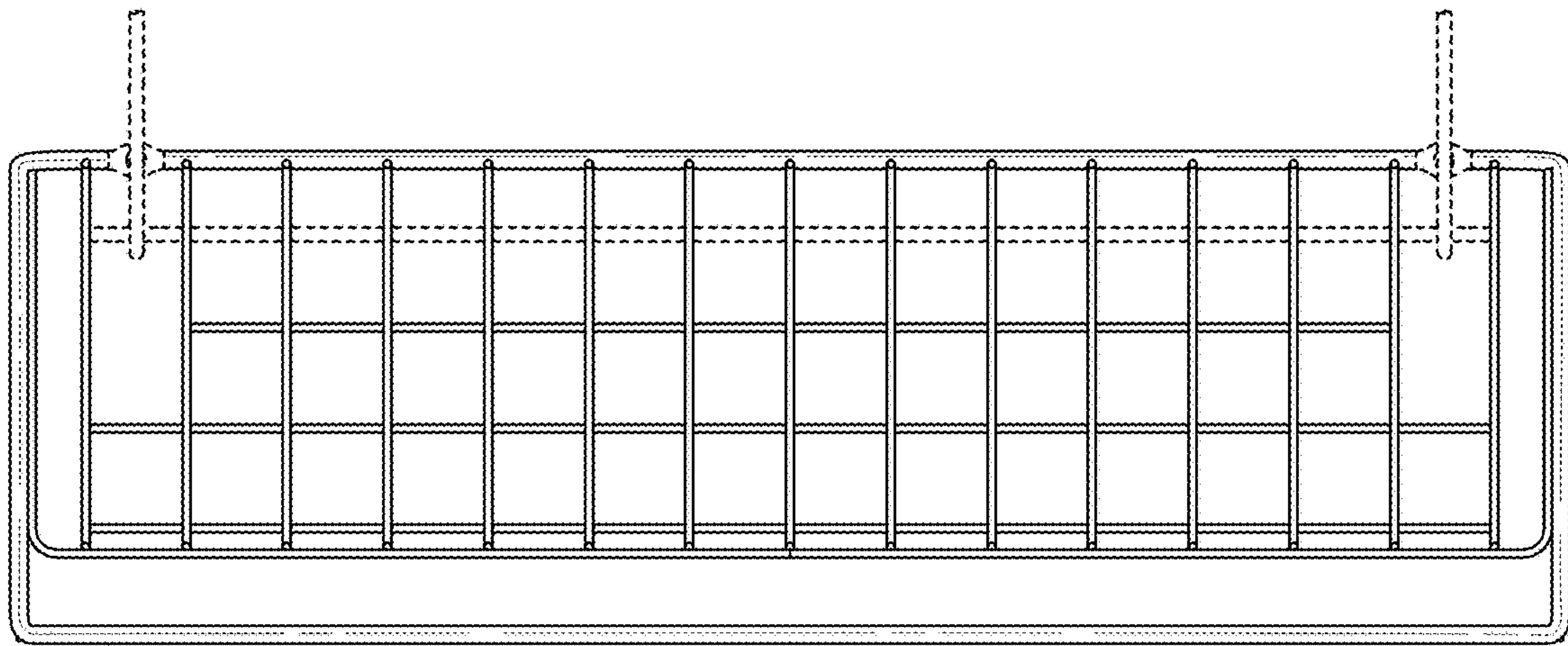


FIG. 2

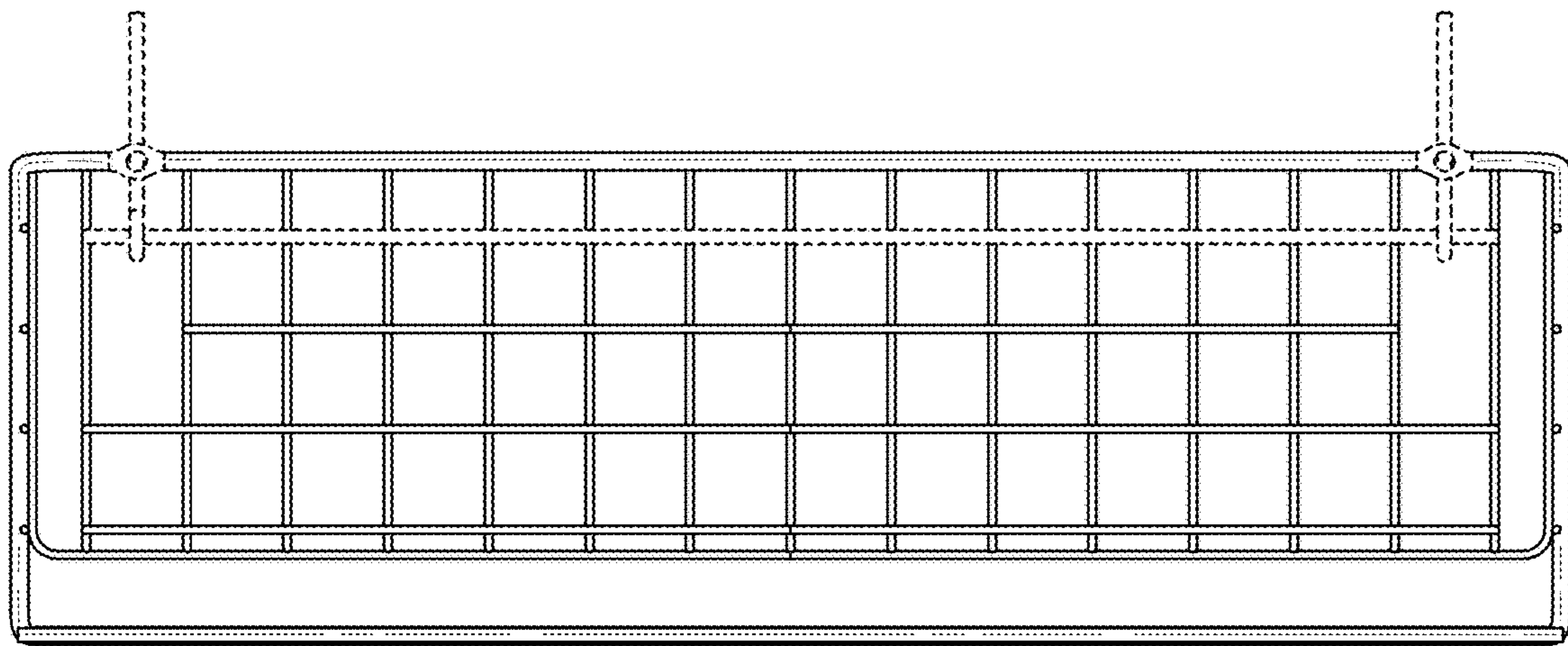


FIG. 3

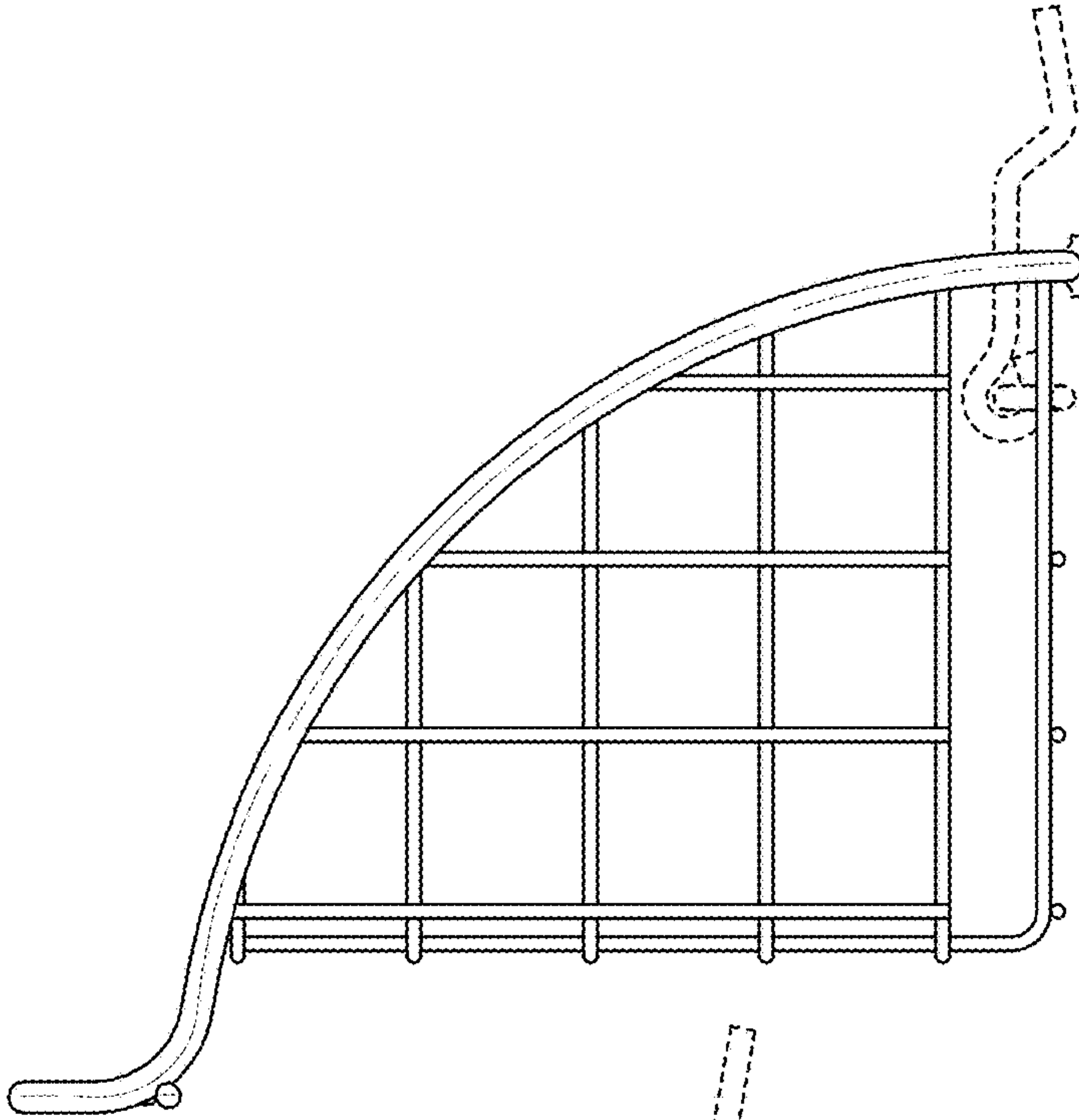


FIG. 4

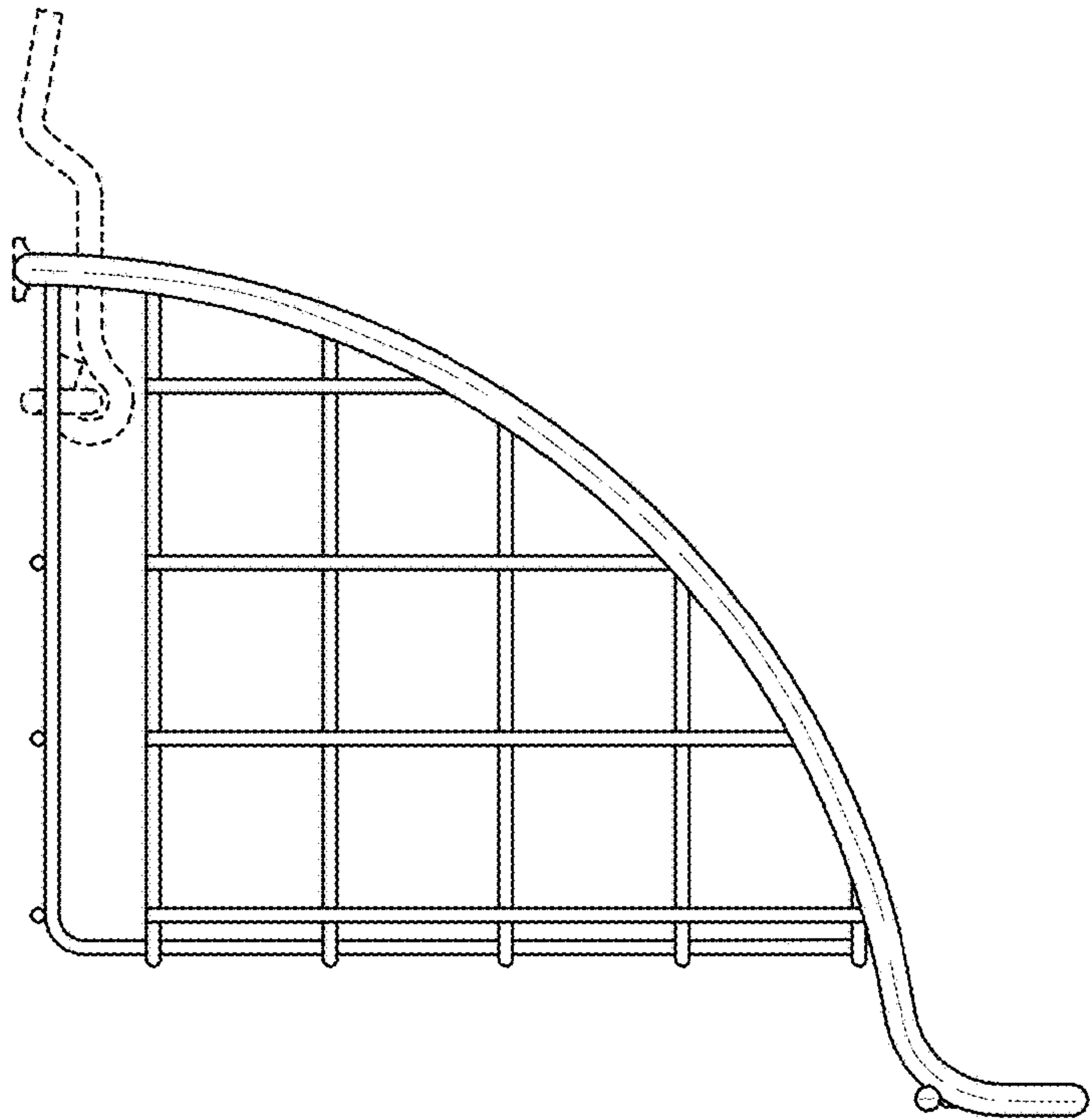


FIG. 5

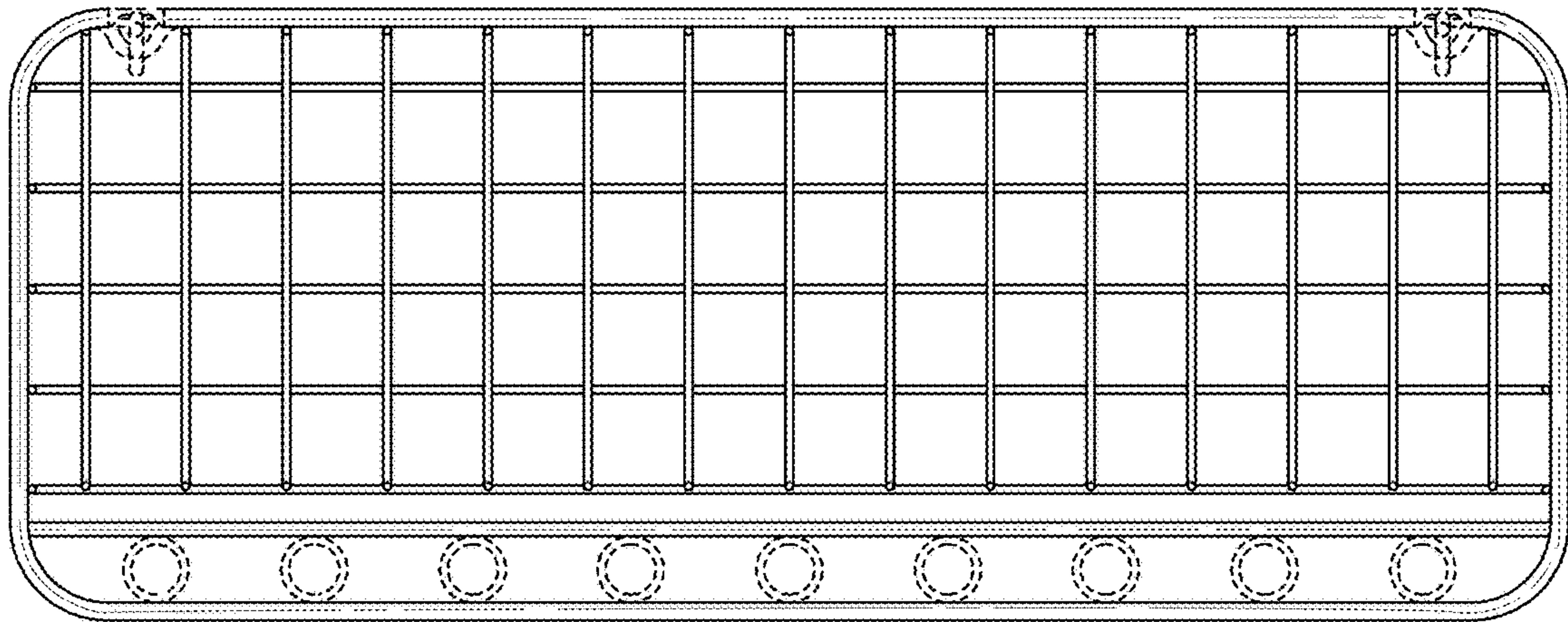


FIG. 6

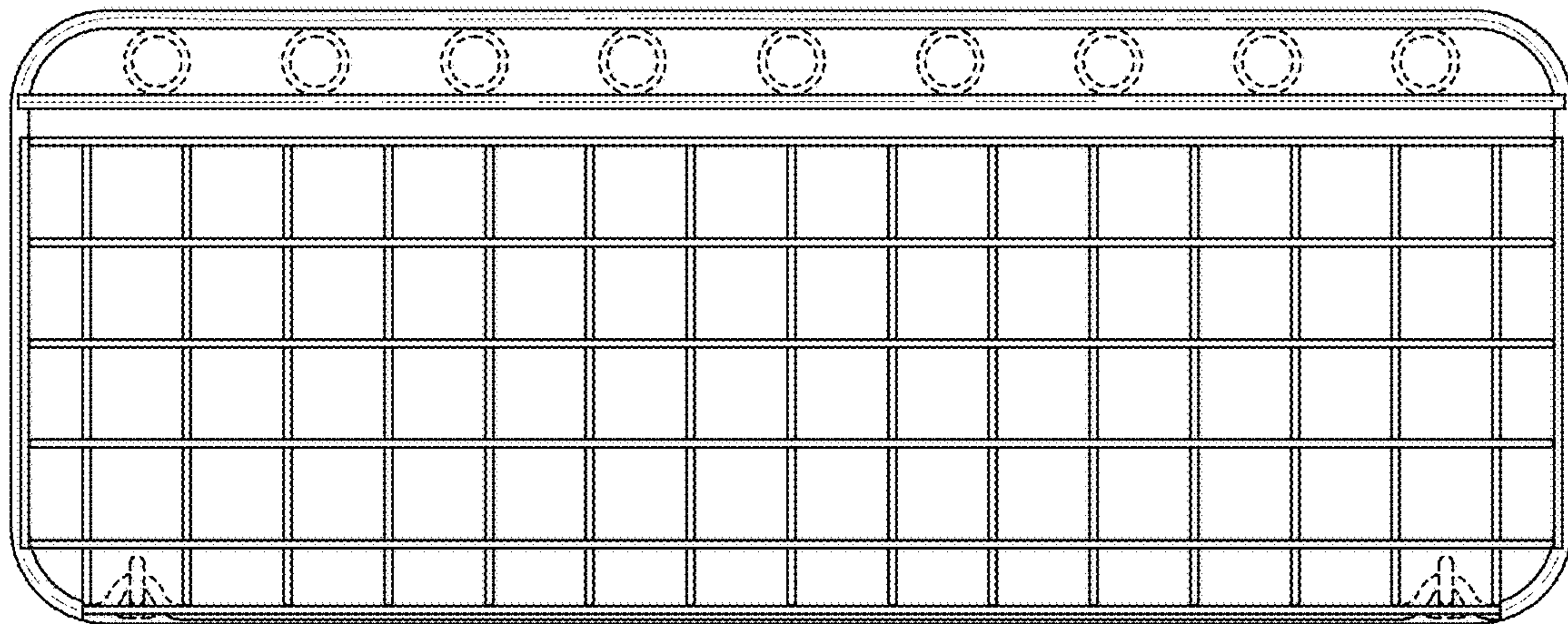


FIG. 7