



US00D842620S

(12) **United States Design Patent** (10) **Patent No.:** **US D842,620 S**  
**Brownley et al.** (45) **Date of Patent:** **\*\* Mar. 12, 2019**

- (54) **WINDOW IN A WALL MOUNTED DISPENSER CABINET**
- (71) Applicant: **GOJO Industries, Inc.**, Akron, OH (US)
- (72) Inventors: **David Brownley**, Hudson, OH (US); **Anthony Seitz**, University Heights, OH (US); **Matthew Hern**, Malibu, CA (US)
- (73) Assignee: **GOJO Industries, Inc.**, Akron, OH (US)

5,779,500 A *	7/1998	Tokuwa	.....	H01R 13/743	439/544
D431,374 S *	10/2000	Glover	.....	D6/300	
D451,683 S *	12/2001	Vincent	.....	D6/300	
D534,360 S *	1/2007	Dempsey	.....	D6/312	
D560,917 S *	2/2008	Fields	.....	D6/300	
D560,924 S *	2/2008	Walker	.....	D6/300	
D568,618 S *	5/2008	Harrington	.....	D6/300	
D611,747 S	3/2010	Kramer			
D629,236 S	12/2010	Weststrate			
D634,143 S	3/2011	Burkett			
D637,848 S	5/2011	Kramer			
D643,237 S	8/2011	Reynolds			

(Continued)

- (\*\*) Term: **15 Years**
- (21) Appl. No.: **29/569,165**
- (22) Filed: **Jun. 24, 2016**

**Related U.S. Application Data**

- (63) Continuation of application No. 29/568,743, filed on Jun. 21, 2016.
- (51) **LOC (11) Cl.** ..... **23-02**
- (52) **U.S. Cl.**  
USPC ..... **D6/545**
- (58) **Field of Classification Search**  
USPC ..... D6/545, 515-523; 206/389, 391; 312/34, 34.8, 34.22, 309.1; 211/13.1, 16, 211/44, 49.1, 50, 59.2, 86.01; 221/282, 221/283; 222/173, 181.1; D14/138 G, D14/138 AD, 240, 138 AC, 138  
CPC ..... A47K 5/14; A47K 5/1217; A47K 5/12; B05B 11/3087; B05B 7/0037  
See application file for complete search history.

(56) **References Cited**

**U.S. PATENT DOCUMENTS**

D166,331 S *	4/1952	McConnell	.....	D6/300
D262,026 S *	11/1981	Garan	.....	D14/240
4,770,958 A *	9/1988	Newman	.....	H01M 2/043
				429/177
D372,824 S	8/1996	Lin		

**OTHER PUBLICATIONS**

Overstock.com, UTC40854: Metal Rectangular Mirror with 2 Rounded Corners Metallic Finish Gold, Jan. 4, 2018, <https://www.overstock.com/Home-Garden/UTC40854-Metal-Rectangular-Mirror-with-2-Rounded-Corners-Metallic-Finish-Gold-N-A/19504312/product.html>.\*

(Continued)

*Primary Examiner* — David G Muller  
*Assistant Examiner* — Nathan M Johnston  
(74) *Attorney, Agent, or Firm* — Calfee, Halter & Griswold LLP

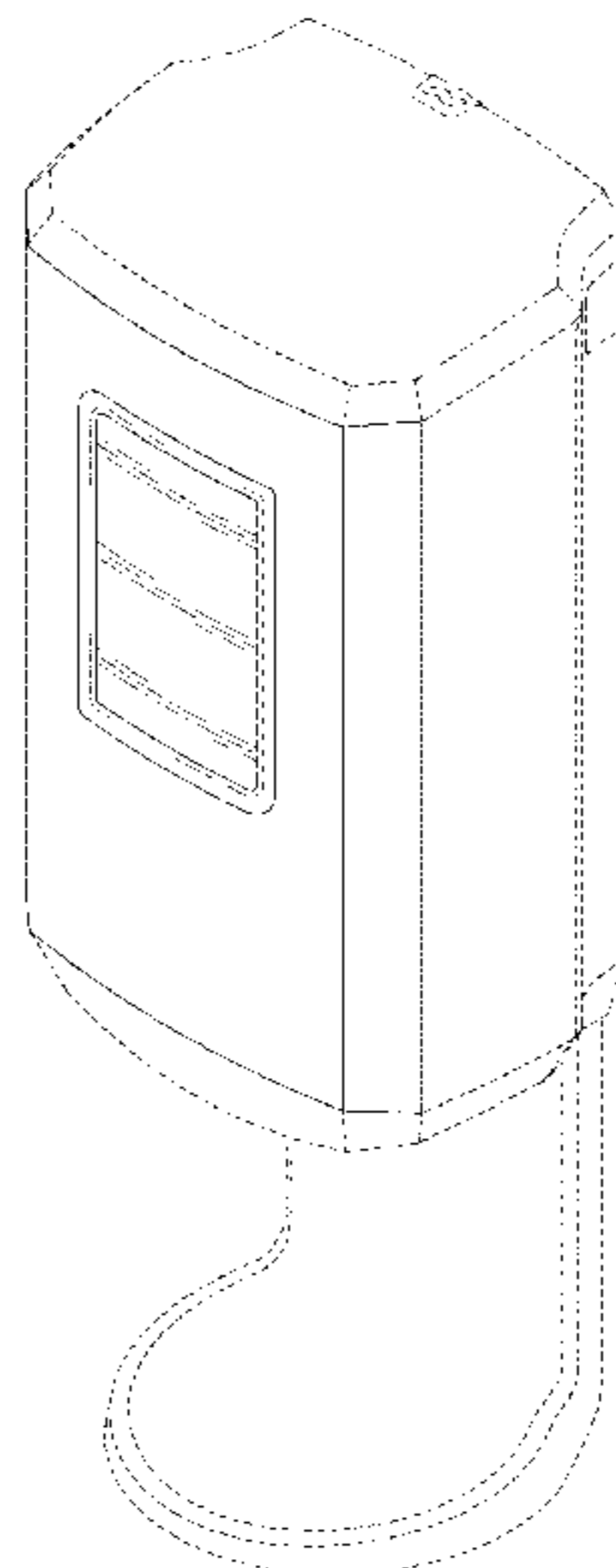
(57) **CLAIM**

The ornamental design for a window in a wall mounted dispenser cabinet, as shown and described.

**DESCRIPTION**

FIG. 1 is a perspective view of a window in a wall mounted dispenser cabinet showing our new design; and, FIG. 2 is a front elevational thereof. The broken line showing of a wall mounted dispenser cabinet is included for the purpose of illustrating portions of the article and forms no part of the claimed design.

**1 Claim, 2 Drawing Sheets**



(56)

References Cited

U.S. PATENT DOCUMENTS

D652,403 S \* 1/2012 Fahlgren ..... D14/138 G  
 D663,711 S \* 7/2012 Lee ..... D14/138 G  
 D671,514 S \* 11/2012 Kim ..... D14/138 G  
 D673,926 S \* 1/2013 Fahlgren ..... D14/138 G  
 D681,583 S \* 5/2013 Park ..... D14/138 G  
 D683,713 S \* 6/2013 Hofer ..... D14/138 G  
 8,534,507 B2 9/2013 Gronholm  
 D697,045 S \* 1/2014 Zhang ..... D14/138 G  
 D697,065 S \* 1/2014 Kim ..... D14/138 AD  
 8,678,236 B2 3/2014 Burke  
 D707,979 S 7/2014 Hagleitner  
 8,827,120 B2 9/2014 Boshuizen  
 D717,262 S \* 11/2014 Phillips ..... D14/138 G  
 D724,861 S 3/2015 Gottschalk  
 D730,310 S \* 5/2015 Hundt ..... D14/138 G  
 D732,498 S \* 6/2015 Huang ..... D14/138 G  
 D739,841 S \* 9/2015 Kim ..... D14/138 G  
 D742,651 S \* 11/2015 Sands ..... D6/300  
 D756,358 S \* 5/2016 Jagoe ..... D14/375  
 D767,288 S \* 9/2016 McMahon ..... D6/300  
 D768,407 S 10/2016 Patterson et al.  
 D778,732 S 2/2017 Pelfrey

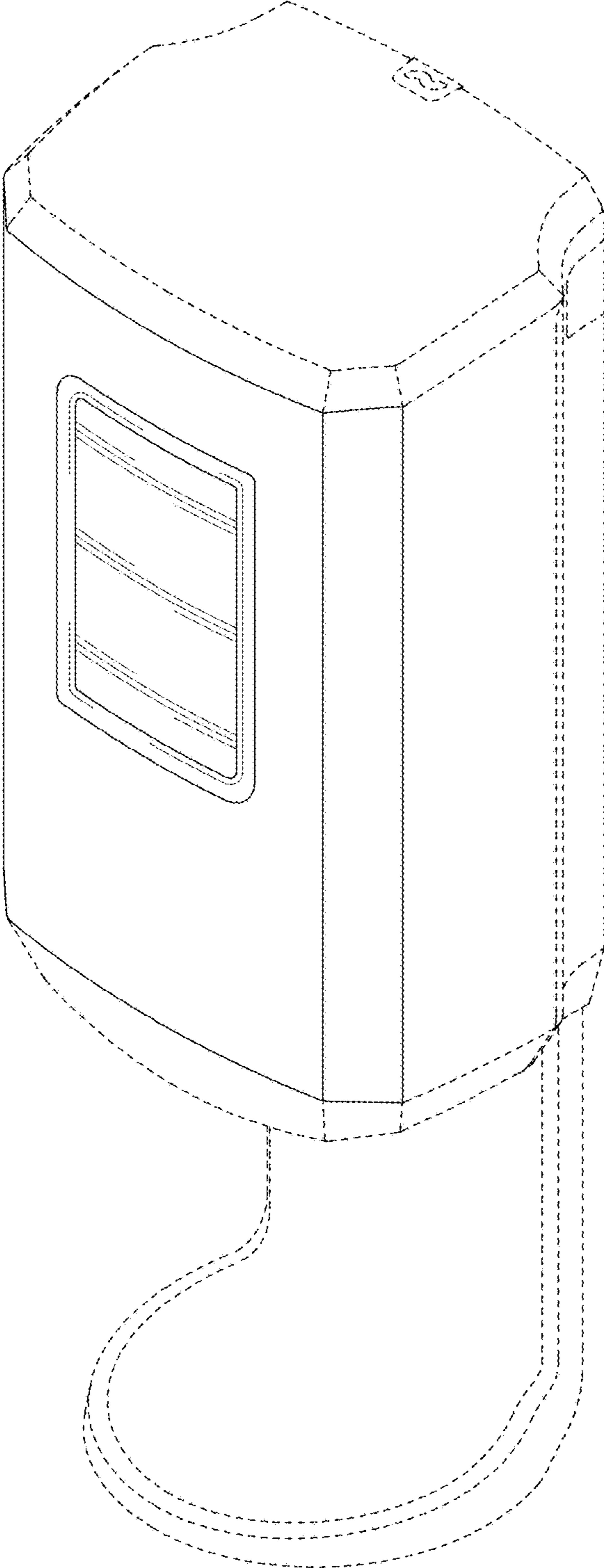
D780,473 S 3/2017 Brownley  
 D781,064 S 3/2017 Brownley  
 D781,065 S 3/2017 Brownley  
 D781,068 S 3/2017 Brownley  
 2011/0023364 A1 2/2011 Euteneuer  
 2013/0020351 A1 1/2013 Pelfrey  
 2014/0054322 A1 2/2014 McNulty  
 2015/0083754 A1 3/2015 Proper  
 2015/0190827 A1 7/2015 Ophardt  
 2015/0216368 A1 8/2015 McClendon  
 2015/0266657 A1 9/2015 Corney  
 2015/0320265 A1 11/2015 Bullock  
 2017/0100001 A1 4/2017 Tojek

OTHER PUBLICATIONS

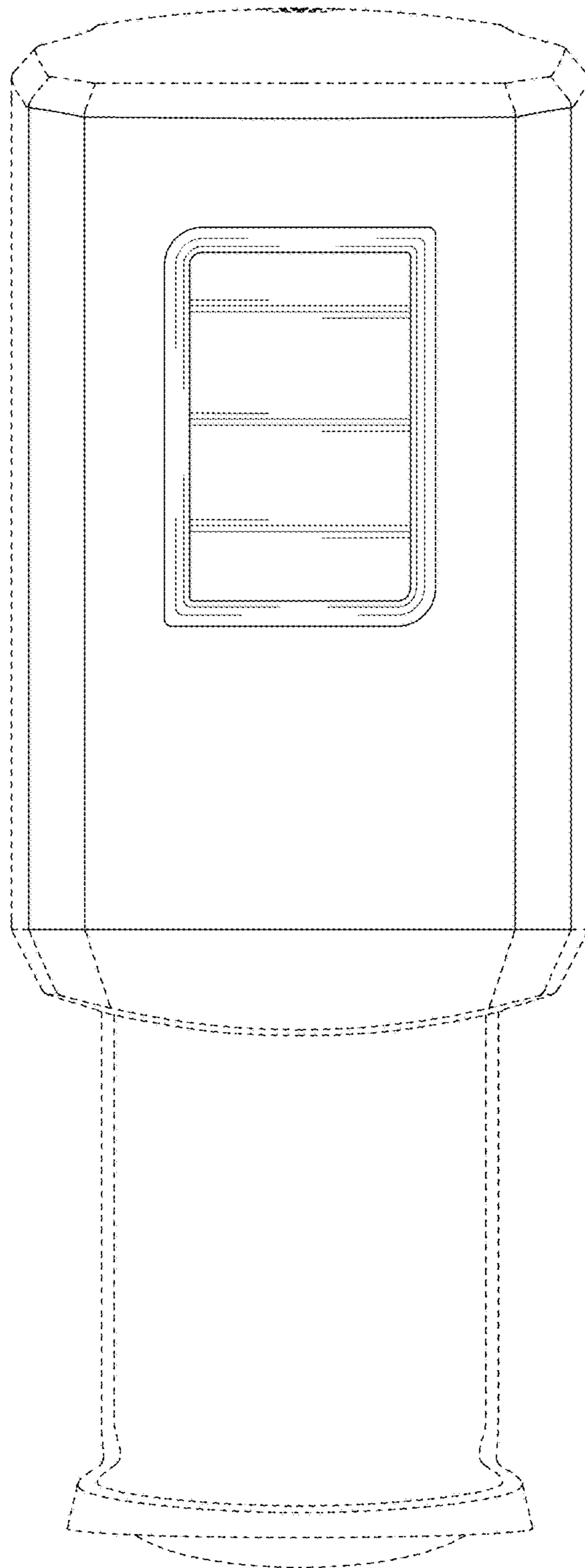
Hobby Lobby.com, Scoop Frame with Turquoise Corners—5"×7", Jan. 4, 2018, <https://www.hobbylobby.com/Home-Decor-Frames/Frames-Photo-Albums/Picture-Frames/Scoop-Frame-with-Turquoise-Corners---5-x-7/p/80801876>.\*

Notice of Allowance for U.S. Appl. No. 29/568,743 dated Jul. 6, 2017.

\* cited by examiner



**FIG. 1**



**FIG. 2**