



US00D842617S

(12) **United States Design Patent** (10) **Patent No.:** **US D842,617 S**  
**Carter** (45) **Date of Patent:** **\*\* Mar. 12, 2019**

(54) **OTTOMAN OR BENCH**  
(71) Applicant: **Blu Dot Design & Manufacturing, Inc.**, Minneapolis, MN (US)

D800,460 S \* 10/2017 Rockwell ..... D6/349  
D815,443 S \* 4/2018 Bozzoli ..... D6/349  
2011/0010847 A1\* 1/2011 Murphy ..... A47C 3/16  
5/35

(72) Inventor: **Michael Carter**, Bloomington, MN (US)

**OTHER PUBLICATIONS**

(73) Assignee: **Blu Dot Design & Manufacturing, Inc.**, Minneapolis, MN (US)

Sunday Small Ottoman—Small Upholstered Ottoman \_ Blu Dot. [online] Retrieved Aug. 1, 2018 from URL: <https://www.bludot.com/sunday-small-ottoman.html>.  
Kipton Ottoman. Arhaus Furniture. [online] Retrieved Aug. 1, 2018 from URL: <https://www.arhaus.com/furniture/living-room-furniture/all-living-room-furniture/kipton-ottoman/?FabricName=PLUSH%20LINEN&Width=41%22&>.

(\*\*) Term: **15 Years**

(Continued)

(21) Appl. No.: **29/626,715**

*Primary Examiner* — Vy N Koenig

(22) Filed: **Nov. 20, 2017**

(74) *Attorney, Agent, or Firm* — Fredrikson & Byron, P.A.

(51) **LOC (11) Cl.** ..... **06-01**

(52) **U.S. Cl.**  
USPC ..... **D6/349**

(58) **Field of Classification Search**  
USPC ..... D6/334, 349–353, 355, 364–365, 596, D6/601, 604, 691–691.9, 692–692.6, D6/716–716.1; D30/118

CPC ..... A47C 16/00; A47C 16/02–16/04; A47C 13/00; A47C 11/00; A47C 12/00; A47K 17/02; A47K 17/028; A47B 7/00–7/02  
See application file for complete search history.

(57) **CLAIM**

I claim the ornamental design for an ottoman or bench, as shown and described.

**DESCRIPTION**

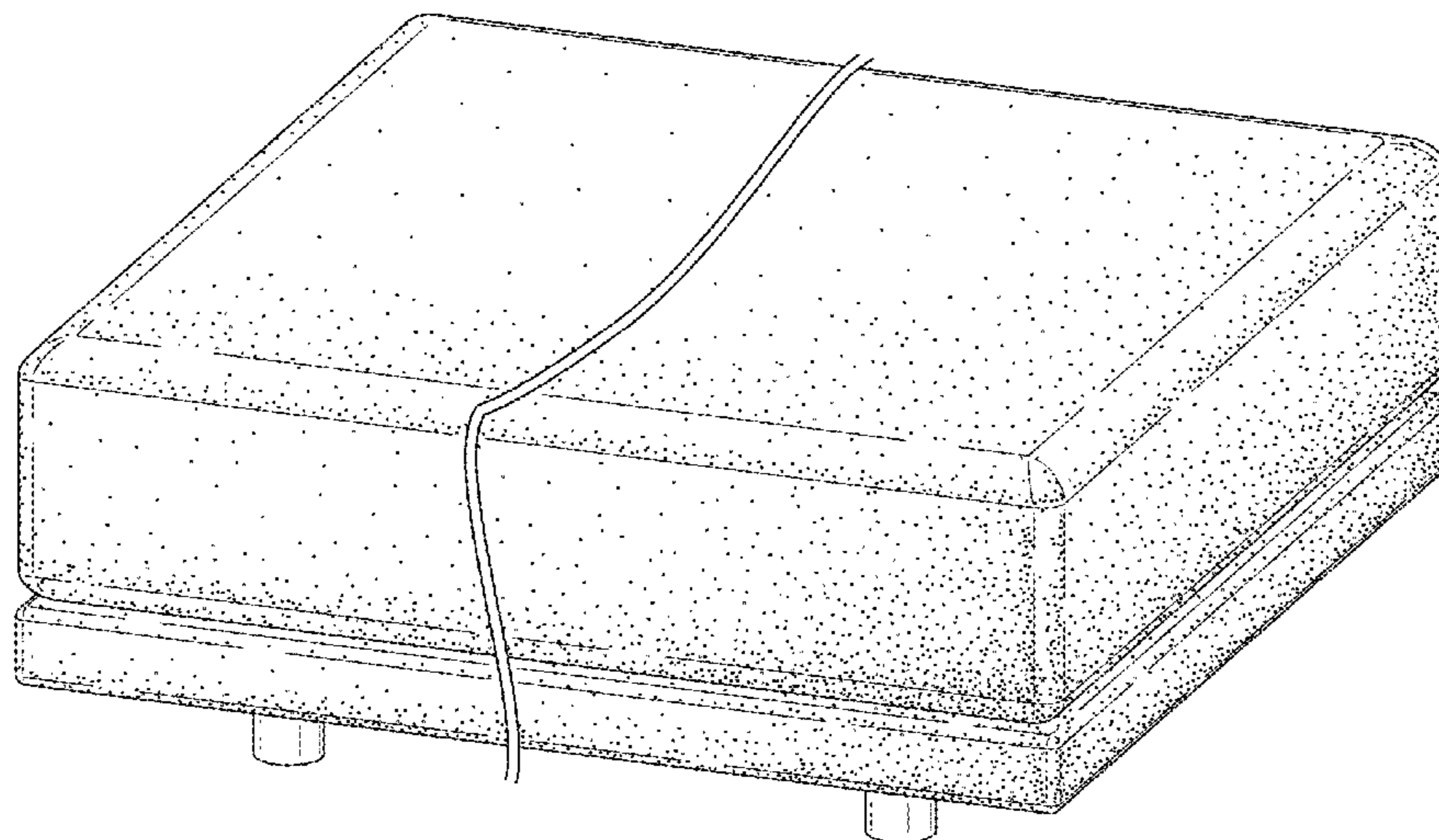
FIG. 1 is a front perspective view of an ottoman or bench of Applicant's design;  
FIG. 2 is a front elevational view thereof, the rear elevational view being a mirror image thereof;  
FIG. 3 is a first side elevational view thereof, the second side elevational view opposite the first side elevational view and being a mirror image thereof;  
FIG. 4 is a top plan view thereof; and,  
FIG. 5 is a bottom plan view thereof.  
Where included, the broken lines in the drawings depict environment or unclaimed structure and form no part of the claimed design.  
The appearance of any portion of the ottoman or bench between the break lines forms no part of the claimed design.

(56) **References Cited**

**U.S. PATENT DOCUMENTS**

D270,308 S \* 8/1983 Aronowitz ..... D6/691.4  
D382,124 S \* 8/1997 Chandler ..... D6/349  
D498,064 S \* 11/2004 Gomez ..... D6/334  
D561,496 S \* 2/2008 Kreiss ..... D6/691.4  
D614,876 S \* 5/2010 Metcalf ..... D6/349  
D618,935 S \* 7/2010 Metcalf ..... D6/349  
D688,475 S \* 8/2013 Blet ..... D6/349  
D699,456 S \* 2/2014 Bosman ..... D6/349  
D720,142 S \* 12/2014 Nigro ..... D6/349  
D725,921 S \* 4/2015 Banda ..... D6/349  
D749,862 S \* 2/2016 Polk-Kuku ..... D6/349

**1 Claim, 5 Drawing Sheets**



(56)

**References Cited**

OTHER PUBLICATIONS

Blu Dot Catalog No. 16, Designed in Minneapolis, Minnesota,  
Copyright 2015, 44 pages.

Blu Dot Catalog No. 17, Designed in Minneapolis, Minnesota,  
Copyright 2015, 52 pages.

Blu Dot Catalog No. 18, Designed in Minneapolis, Minnesota,  
Copyright 2015, 51 pages.

Blu Dot Catalog No. 19, Designed in Minneapolis, Minnesota,  
Copyright 2016, 54 pages.

\* cited by examiner

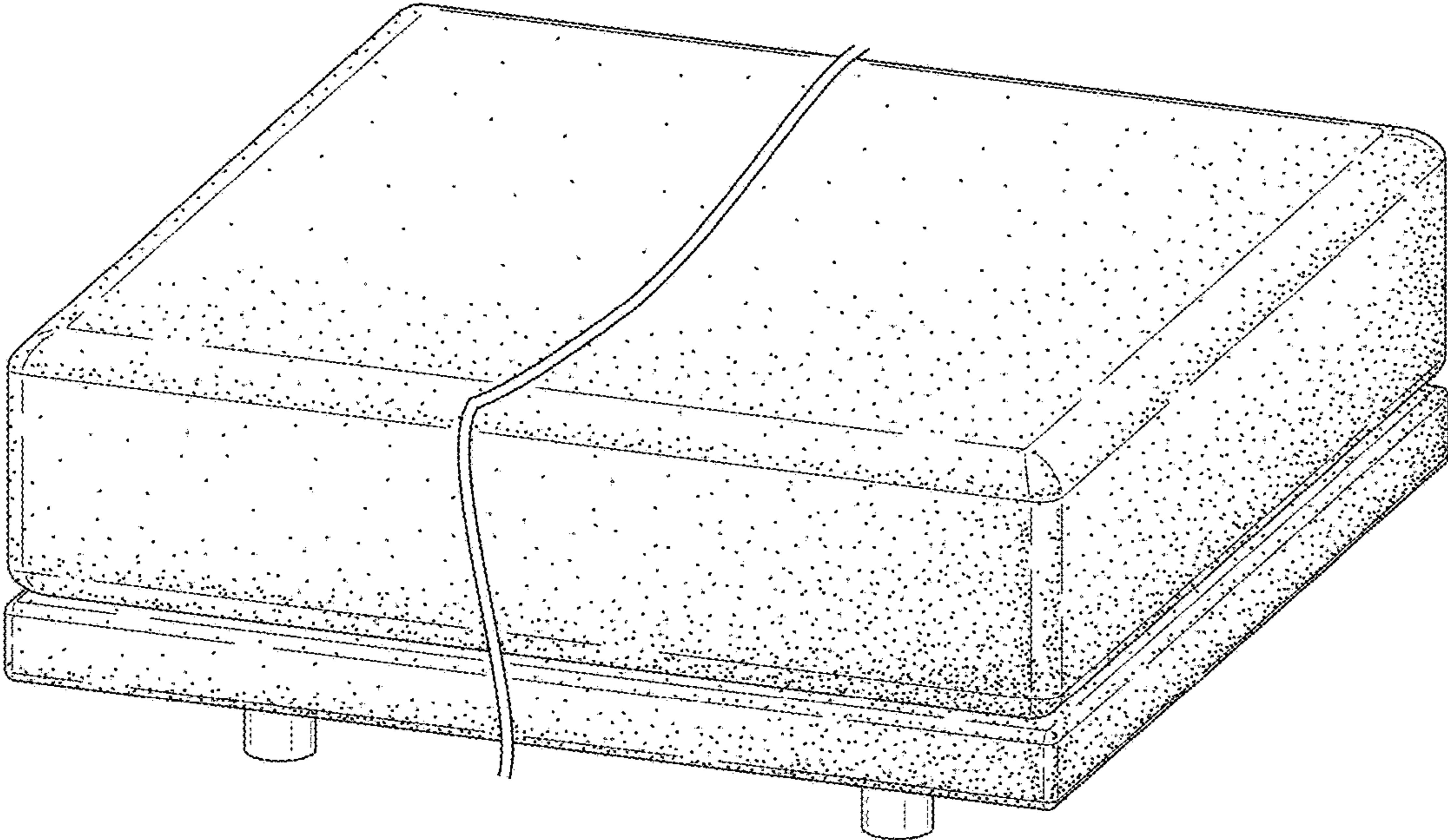


FIG. 1

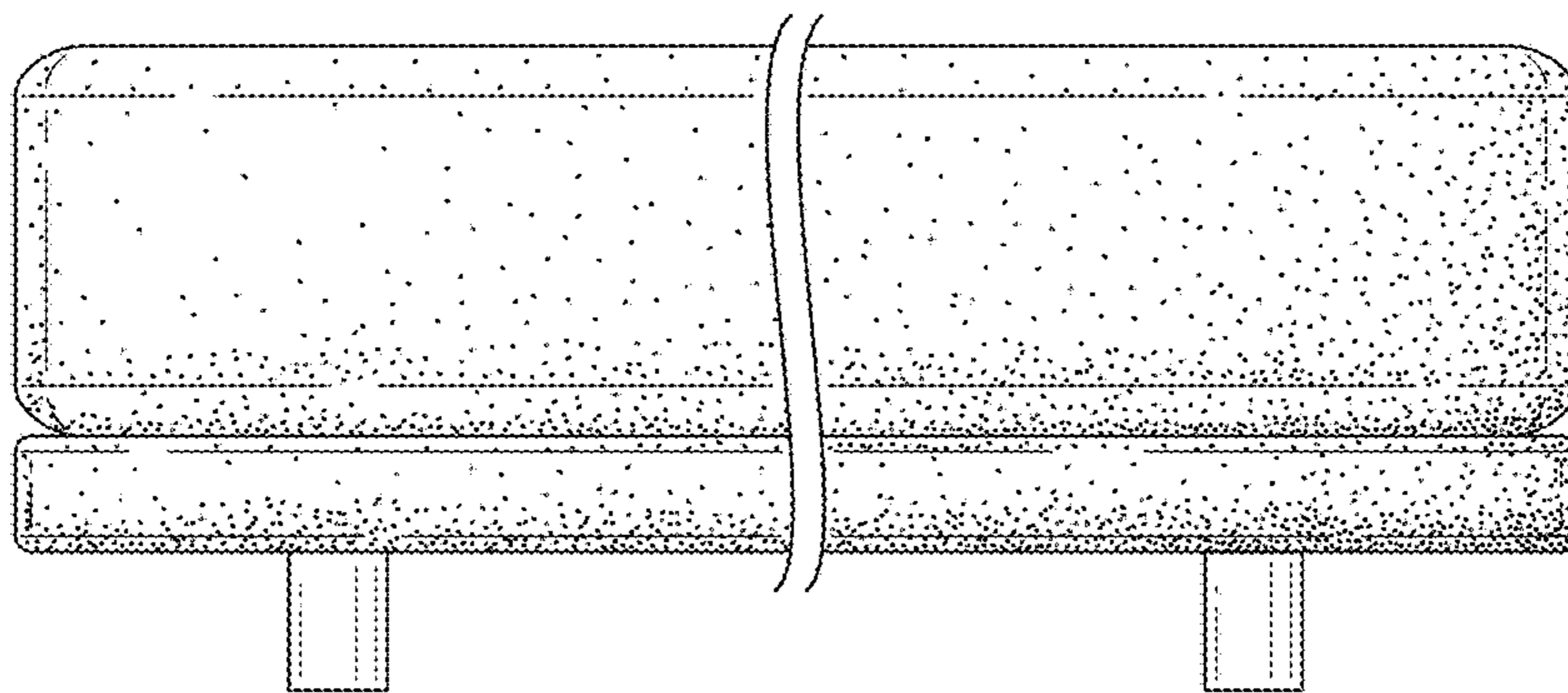


FIG. 2

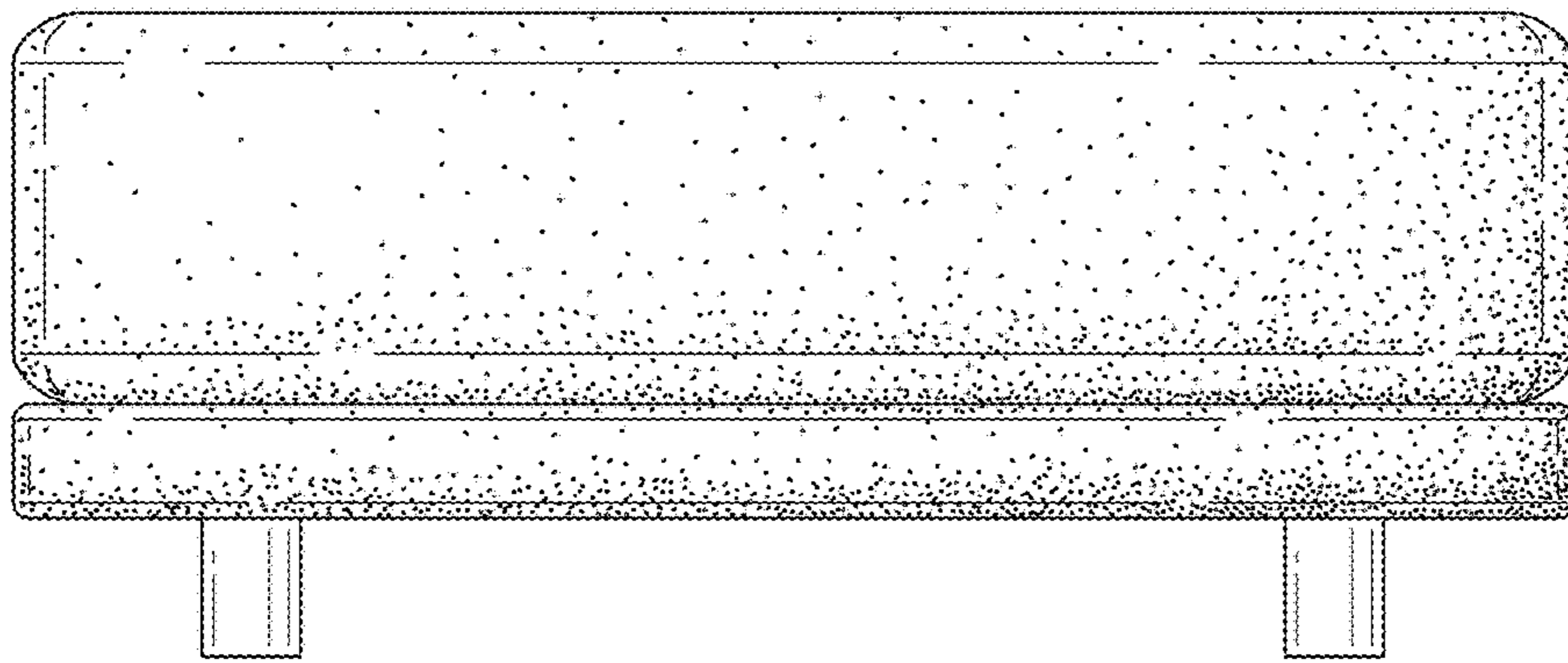


FIG. 3



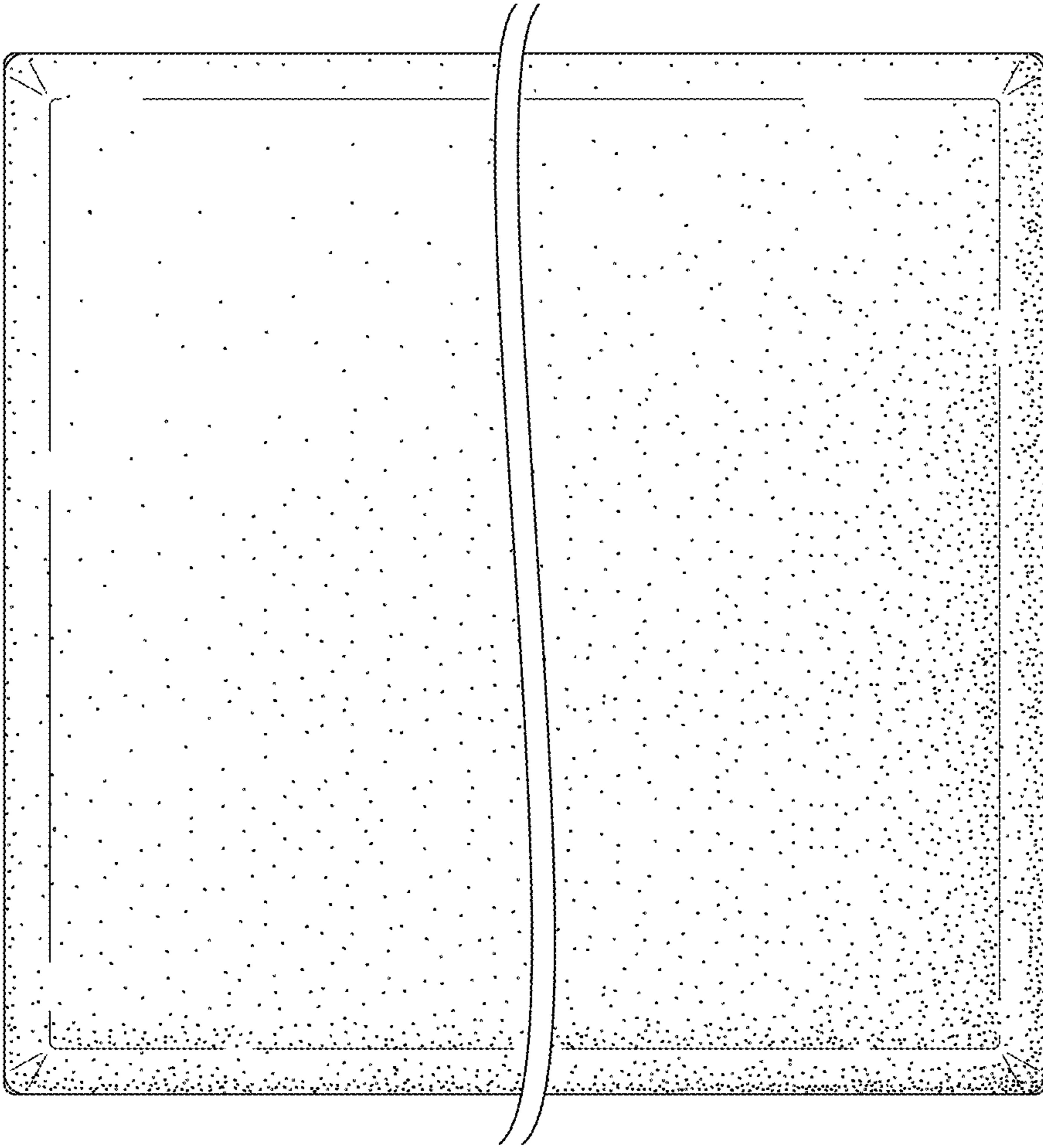


FIG. 4

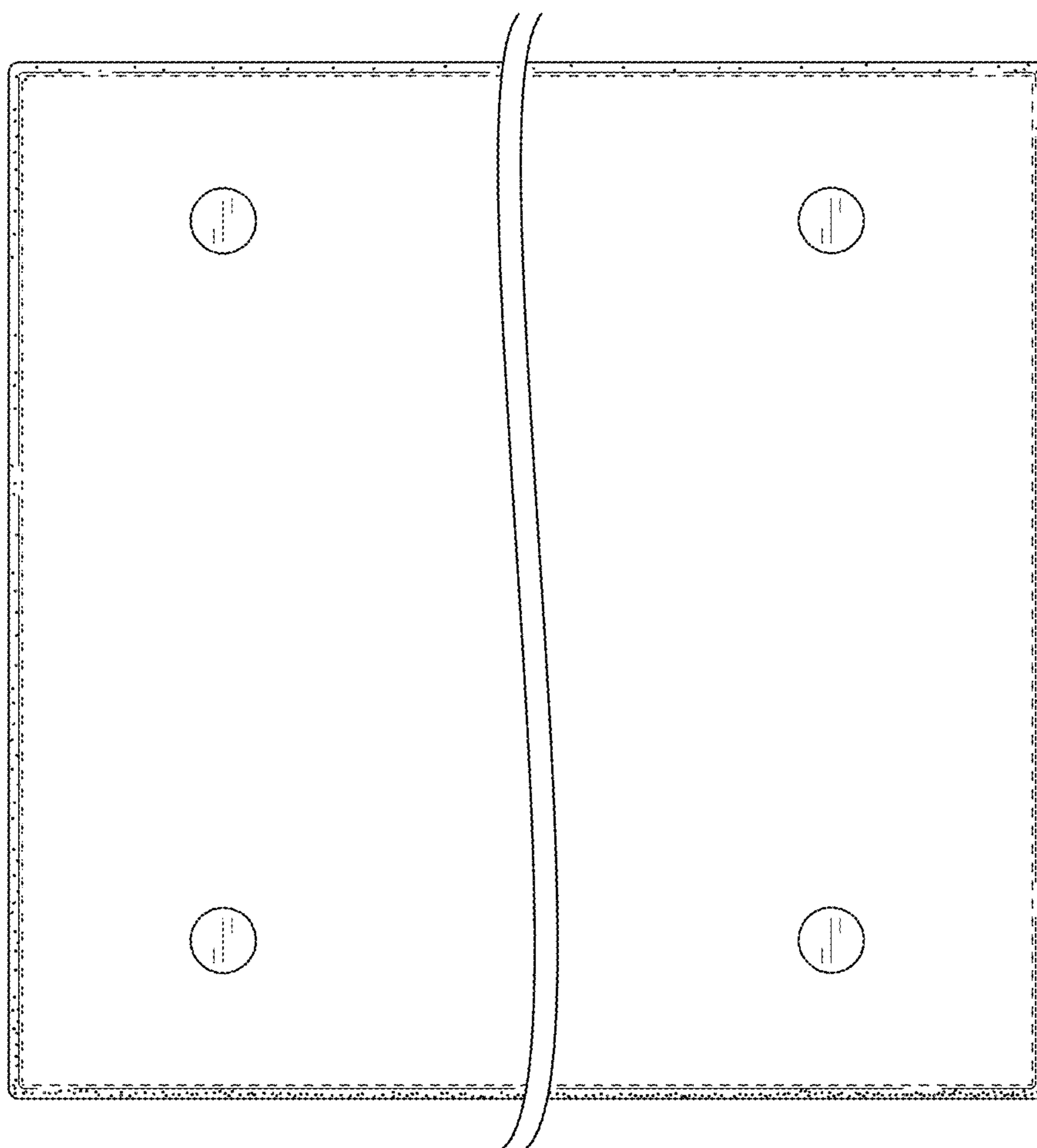


FIG. 5