



US00D842614S

(12) **United States Design Patent**  
**Zavalloni et al.**

(10) **Patent No.:** **US D842,614 S**  
(45) **Date of Patent:** **\*\* Mar. 12, 2019**

(54) **TOOTHBRUSH**

(71) Applicant: **Curaden AG**, Kriens (CH)

(72) Inventors: **Marco Zavalloni**, Wohlen (CH);  
**Raimund Erdmann**, Brugg (CH)

(73) Assignee: **CURADEN AG**, Kriens (CH)

(\*\*) Term: **15 Years**

(21) Appl. No.: **29/631,115**

(22) Filed: **Dec. 27, 2017**

(30) **Foreign Application Priority Data**

Jun. 27, 2017 (CH) ..... 143 324

(51) **LOC (11) Cl.** ..... **04-02**

(52) **U.S. Cl.**  
USPC ..... **D4/110**

(58) **Field of Classification Search**  
USPC ..... D4/104, 105, 106, 107, 108, 109, 110,  
D4/130, 131, 132, 133, 134, 135, 136,  
D4/137, 138, 199  
CPC ..... A46B 9/04; A46B 2200/1066; A46B  
2200/1073; A46B 2200/1086

See application file for complete search history.

(56) **References Cited**

**U.S. PATENT DOCUMENTS**

D420,222 S \* 2/2000 Angelini ..... D4/104  
6,138,310 A \* 10/2000 Porper ..... A46B 5/0012  
15/22.1

D454,696 S \* 3/2002 Simionato ..... D4/104  
8,359,697 B2 \* 1/2013 Wang ..... A46B 5/00  
15/167.1  
D806,397 S \* 1/2018 Xi ..... D4/110  
D812,378 S \* 3/2018 DeRicco ..... D4/110

**FOREIGN PATENT DOCUMENTS**

CN 304335123 \* 10/2017  
EM 002059709-0001 \* 1/2013  
EM 002059709-0002 \* 1/2013  
EM 001443089-0002 \* 2/2016

\* cited by examiner

*Primary Examiner* — Karen E Eldridge Powers

(74) *Attorney, Agent, or Firm* — Birch, Stewart, Kolasch  
& Birch, LLP

(57) **CLAIM**

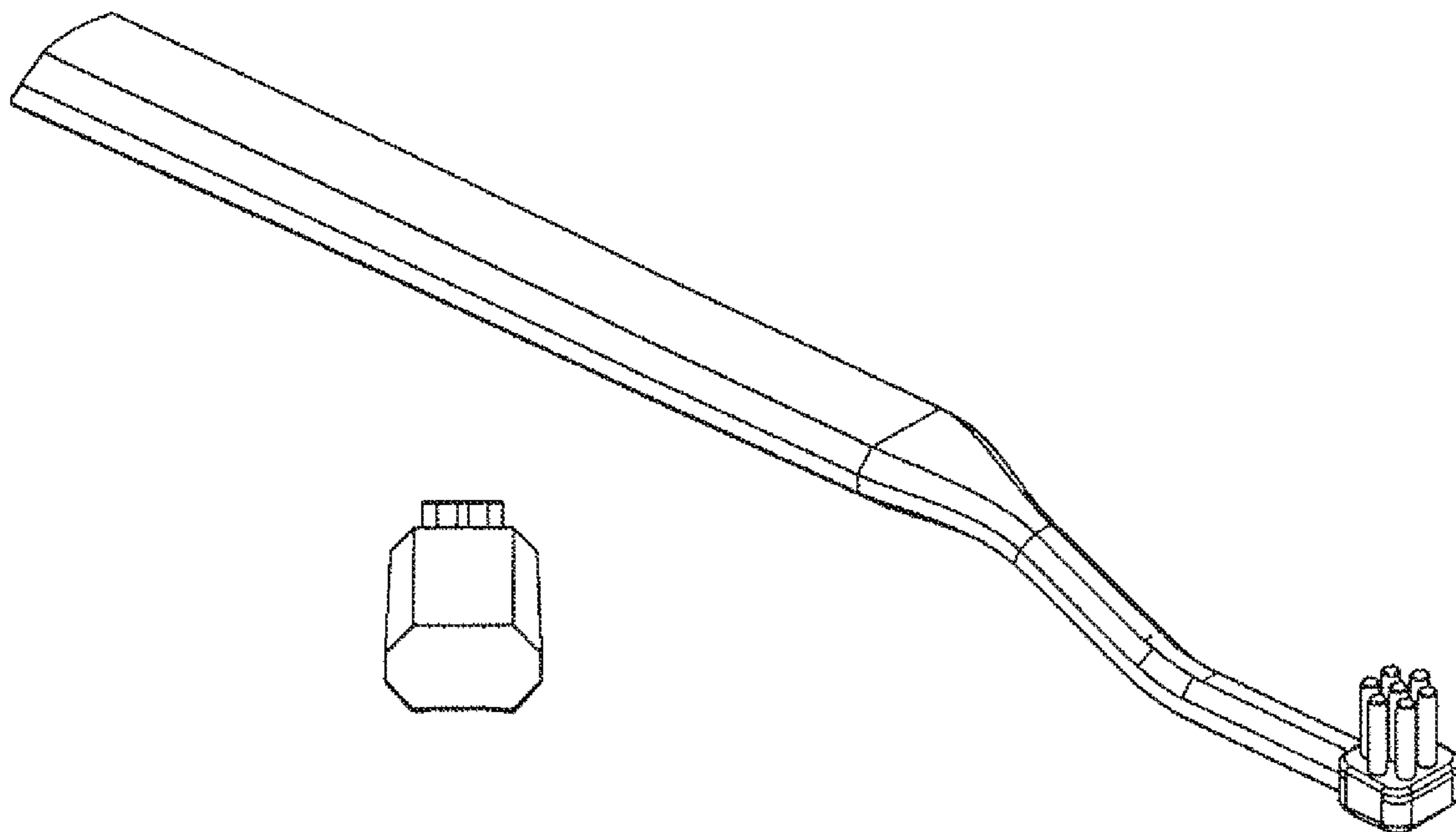
The ornamental design for a toothbrush, as shown and described.

**DESCRIPTION**

FIG. 1 is a top plan view of an embodiment of a toothbrush showing my new design;  
FIG. 2 is a bottom plan view thereof;  
FIG. 3 is a right side elevation view thereof;  
FIG. 4 is a left side elevation view thereof;  
FIG. 5 is a front elevation view thereof; and,  
FIG. 6 is a rear plan view thereof.

Broken lines are included for the purpose of illustrating unclaimed portions and form no part of the claimed design.

**1 Claim, 7 Drawing Sheets**



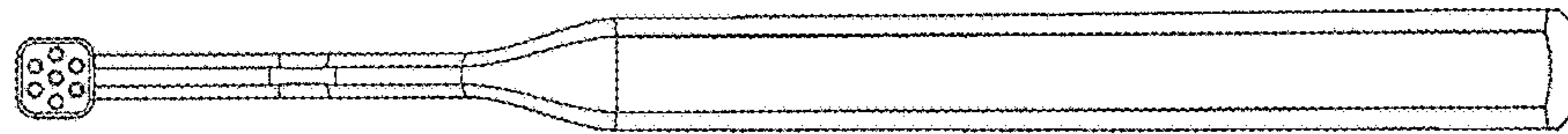


FIG. 1



FIG. 2

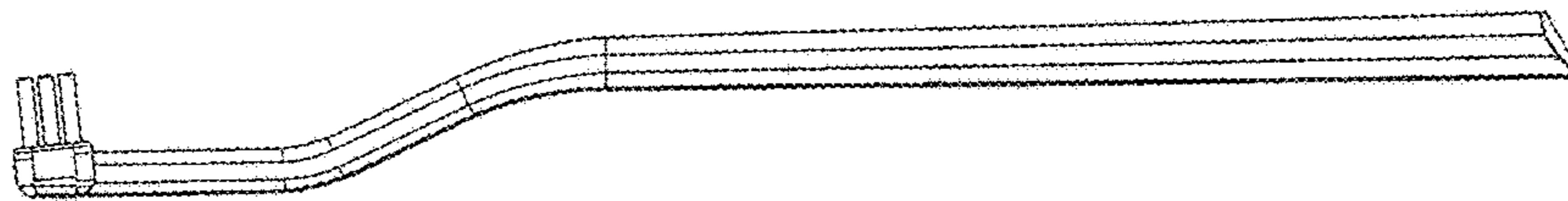


FIG. 3

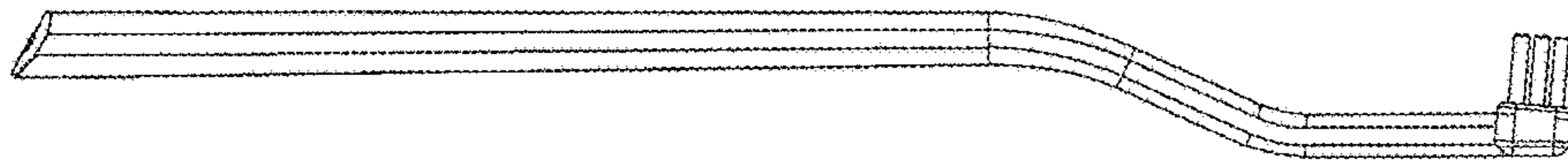


FIG. 4

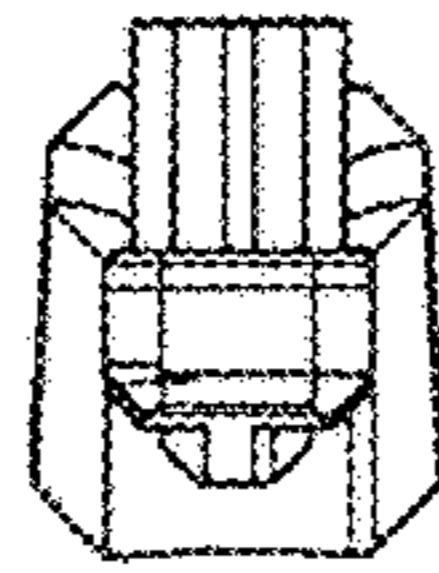


FIG. 5

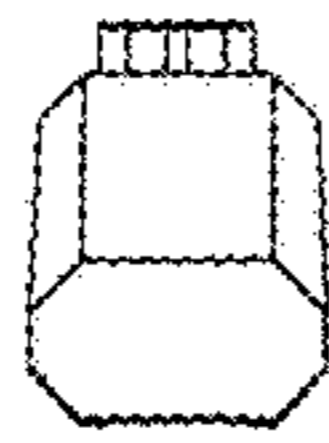


FIG. 6

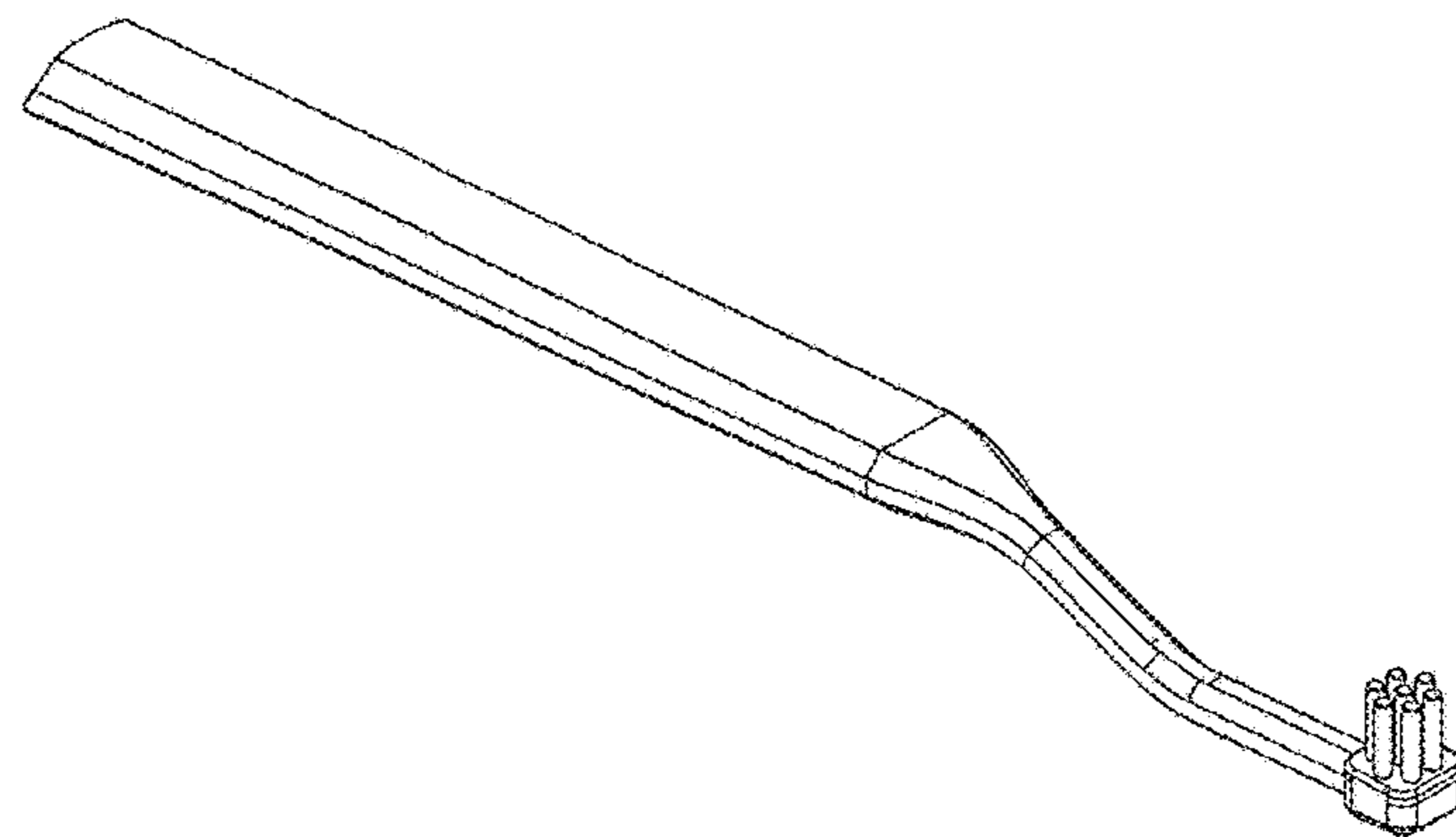


FIG. 7