



US00D842609S

(12) **United States Design Patent** (10) **Patent No.:** **US D842,609 S**
Yuson (45) **Date of Patent:** **** Mar. 12, 2019**

(54) **HANDBAG CLASP**
(71) Applicant: **Cartier International AG**, Steinhausen (CH)
(72) Inventor: **Marlin Yuson**, Paris (FR)
(73) Assignee: **Cartier International AG**, Steinhausen (CH)

D251,715 S * 5/1979 Fishman D11/47
D324,653 S * 3/1992 Mandelli D10/34
D640,949 S * 7/2011 Iacomucci D11/31
D671,857 S * 12/2012 Rabassa D10/34
D675,022 S * 1/2013 Saavedra D3/322
D680,024 S * 4/2013 Le Bail D11/49
D692,343 S * 10/2013 Hardy D11/82
D758,232 S * 6/2016 Rabassa D10/126
D789,692 S * 6/2017 Nair D3/318
D794,498 S * 8/2017 Fillon D11/82
D797,457 S * 9/2017 Gerbelle D3/324

(**) Term: **15 Years**

(21) Appl. No.: **29/602,134**

(22) Filed: **Apr. 28, 2017**

(30) **Foreign Application Priority Data**

Nov. 2, 2016 (WO) 1254401

(51) **LOC (11) Cl.** **03-01**

(52) **U.S. Cl.**
USPC **D3/325; D11/239**

(58) **Field of Classification Search**
USPC ... D11/222–228, 238–241, 205, 233, 31, 49,
D11/52, 82, 100, 127, 134, 158, 173, 47,
D11/80; D3/318, 322–326; D10/34, 126
CPC A44C 1/00; A44C 25/00; A44C 25/001;
A44C 25/002; A44C 25/004; A44C
25/005; A44C 25/007; A44C 3/00; A44C
3/001; A44C 3/002; A44C 3/004; A44C
3/005; A44C 5/0007; A44C 5/185; A44C
5/18; A44C 5/20; A44C 5/2009; A44C
5/2014; A45C 1/024; A45C 13/10; A45C
3/06

See application file for complete search history.

(56) **References Cited**

U.S. PATENT DOCUMENTS

D36,582 S * 10/1903 Welch D11/52
D39,280 S * 4/1908 Keller D11/80
D113,766 S * 3/1939 Rosenblatt D11/52
D219,539 S * 12/1970 Edenberg D11/52

OTHER PUBLICATIONS

Cartier Panther motif found online [Sep. 10, 2018]—<https://www.2luxury2.com/this-new-cartier-panther-motif-on-clutches-can-also-be-worn-as-a-brooch/>.
Penn State Nittany Lion Head Pendant found online [Sep. 10, 2018]—<https://aurumjewelers.net/products/penn-state-nittany-lion-head-pendant>.

* cited by examiner

Primary Examiner — Brandon M Rosati
Assistant Examiner — John A Voytek
(74) *Attorney, Agent, or Firm* — Taft Stettinius & Hollister LLP

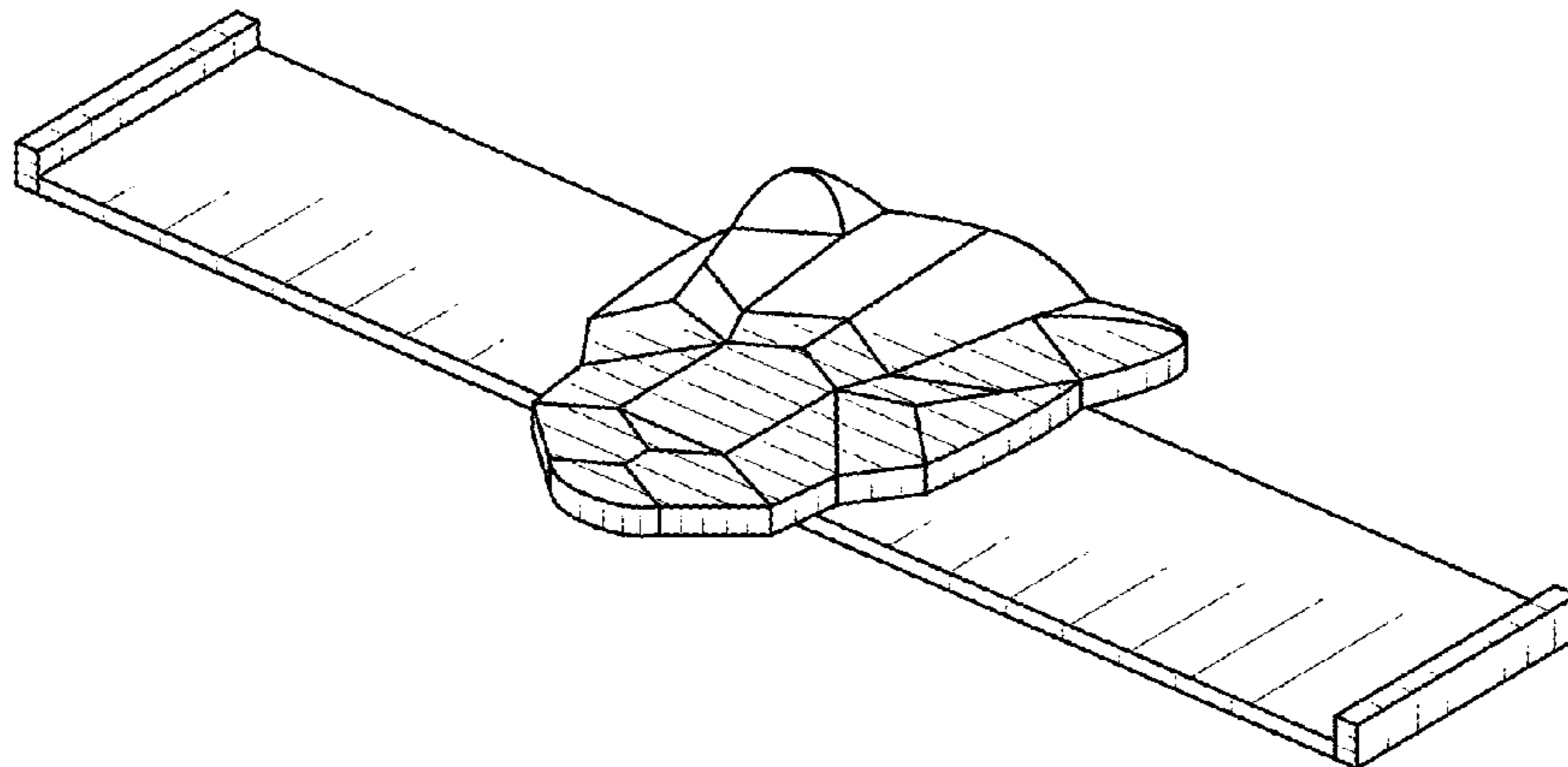
(57) **CLAIM**

The ornamental design of a handbag clasp, as shown and described.

DESCRIPTION

FIG. 1 is a front plan view of a handbag clasp showing my new design;
FIG. 2 is a back plan view thereof;
FIG. 3 is a top elevational view thereof;
FIG. 4 is a bottom elevational view thereof;
FIG. 5 is a right side elevational view thereof;
FIG. 6 is a left side elevational view thereof; and,
FIG. 7 is a front, right side perspective view thereof.

1 Claim, 2 Drawing Sheets



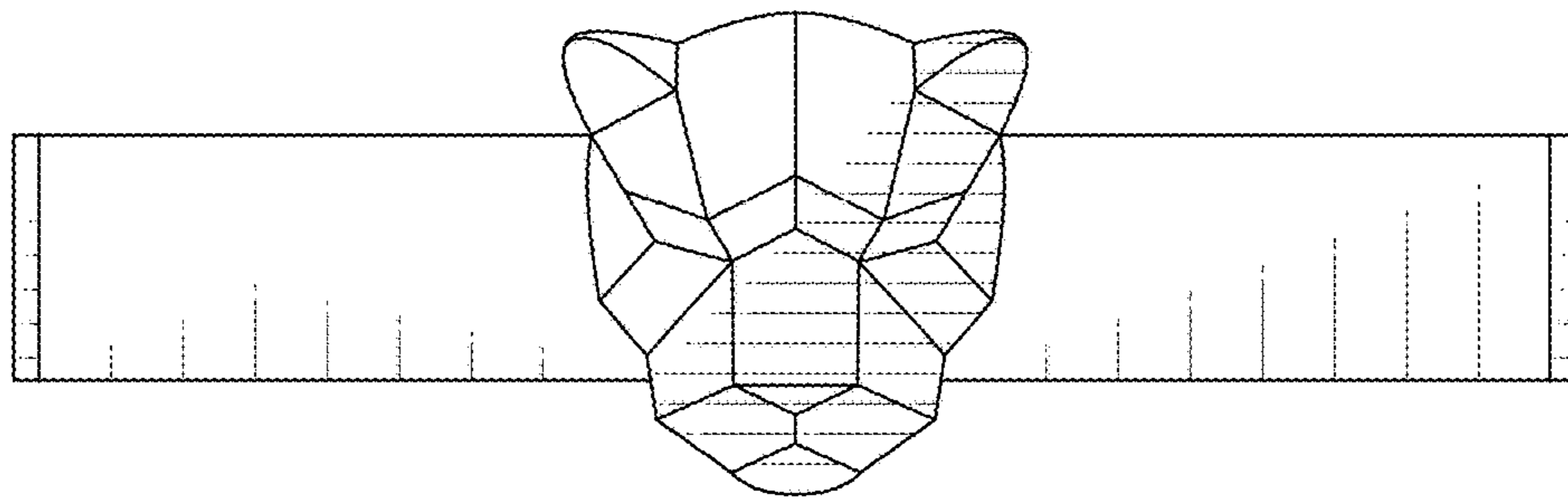


Fig. 1

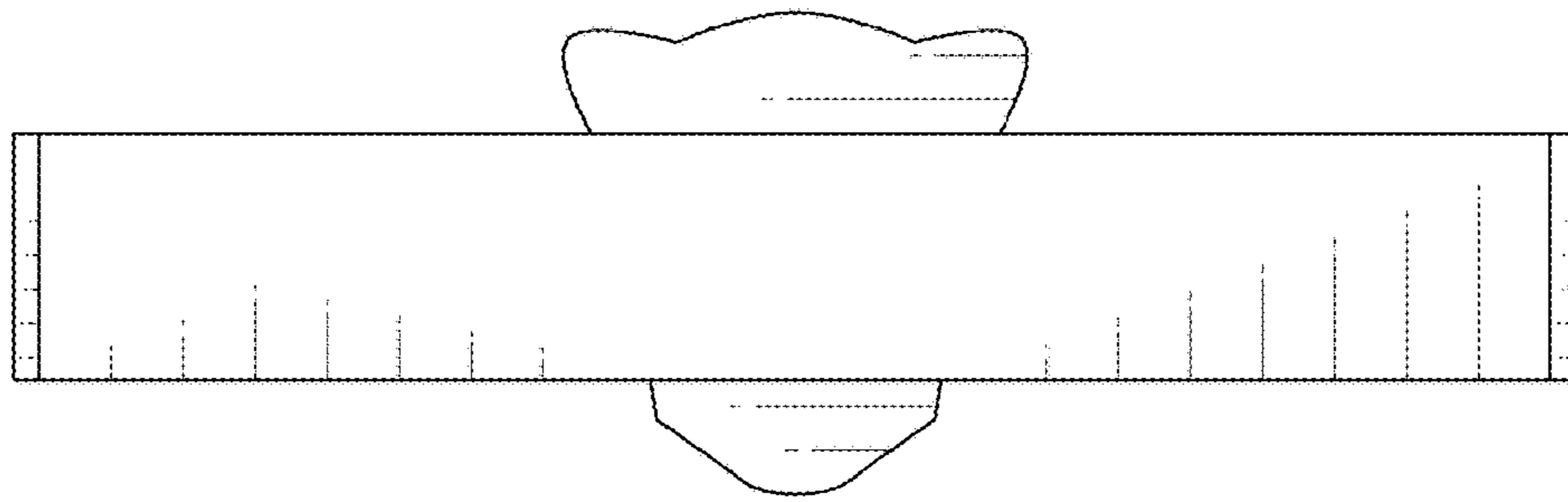


Fig. 2

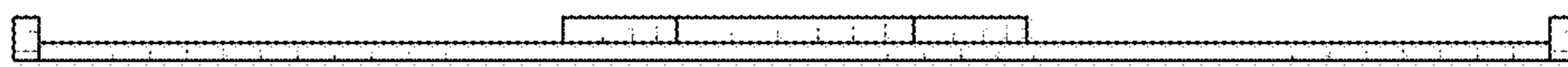


Fig. 3

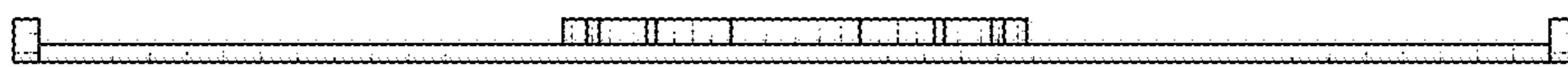


Fig. 4

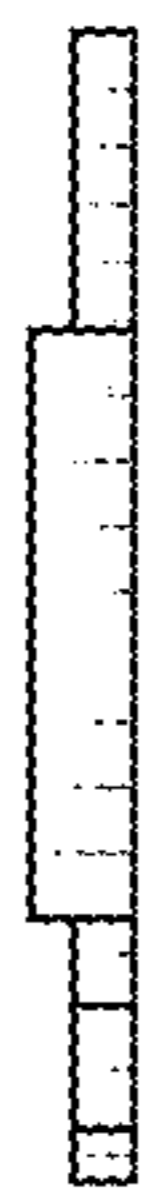


Fig. 5



Fig. 6

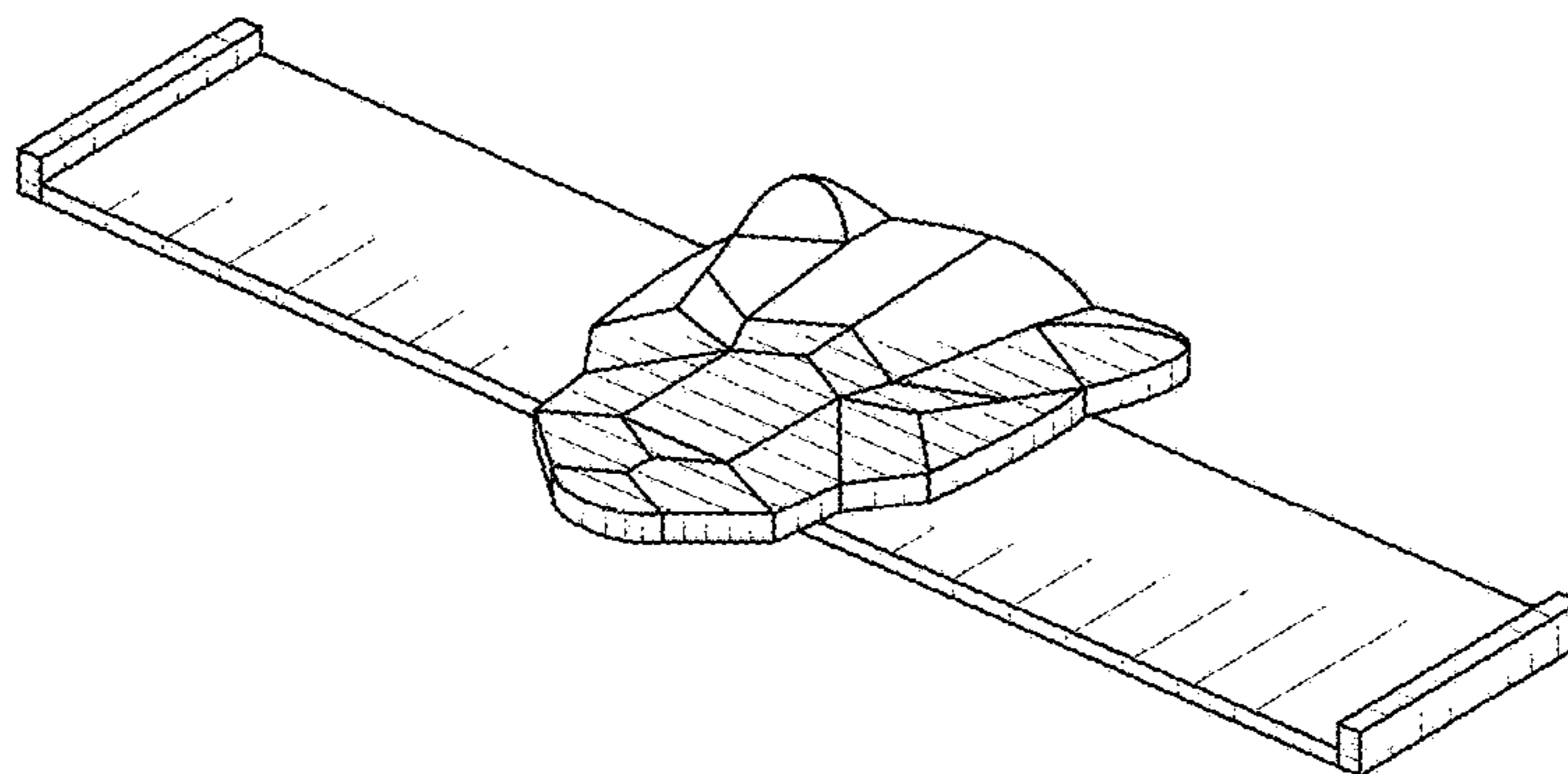


Fig. 7