



US00D842608S

(12) **United States Design Patent**
Amat

(10) **Patent No.:** **US D842,608 S**
(45) **Date of Patent:** **** Mar. 12, 2019**

(54) **CLASP FOR HANDBAG**
(71) Applicant: **J. Choo Limited**, London (GB)
(72) Inventor: **Lina Amat**, London (GB)
(73) Assignee: **J. Choo Limited**, London (GB)
(**) Term: **15 Years**
(21) Appl. No.: **29/626,934**
(22) Filed: **Nov. 21, 2017**

D696,957 S 1/2014 Pinabel
D710,207 S 8/2014 Pinabel
D789,693 S 6/2017 Gerbelle
D797,457 S * 9/2017 Gerbelle D3/324
D808,657 S 1/2018 Gerbelle

* cited by examiner

Primary Examiner — Holly H Baynham
(74) *Attorney, Agent, or Firm* — Fross Zelnick Lehrman & Zissu, P.C.; Lawrence W. Apolzon, Esq.

(30) **Foreign Application Priority Data**

May 26, 2017 (EM) 004020527-0002
May 26, 2017 (EM) 004020527-0003

(51) **LOC (11) Cl.** **03-01**
(52) **U.S. Cl.**
USPC **D3/324**

(58) **Field of Classification Search**
USPC D3/232–233, 240–243, 245, 318, 324
CPC A44C 5/20; A44C 5/185; A44C 5/2009;
A44C 5/2014; A45C 13/10; A45C 13/06
See application file for complete search history.

(56) **References Cited**

U.S. PATENT DOCUMENTS

1,782,665 A * 11/1930 Rosenband A45C 13/10
24/598.1
D499,046 S 11/2004 Pinto et al.
D647,424 S * 10/2011 Kolasa D11/218
D674,193 S * 1/2013 Saavedra D3/322
D691,513 S 10/2013 Holloway et al.

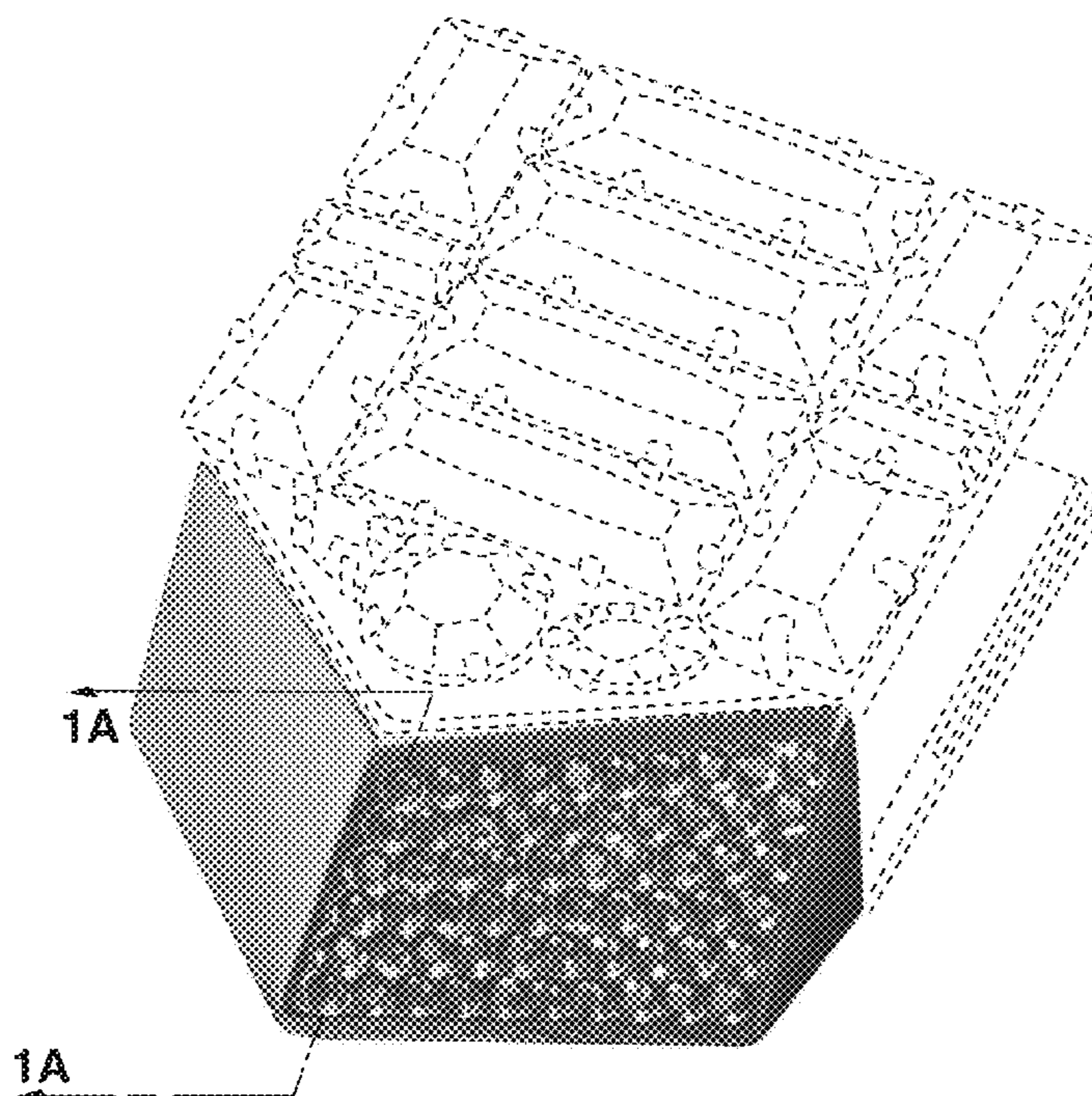
(57) **CLAIM**

The ornamental design for a clasp for handbag, as shown and described.

DESCRIPTION

FIG. 1 is a bottom perspective view of a clasp for handbag showing my new design;
FIG. 1A is a cross-sectional view thereof;
FIG. 2 is a right side view thereof;
FIG. 3 is a left side view thereof;
FIG. 4 is a front view thereof;
FIG. 5 is a back view thereof;
FIG. 6 is a top view thereof;
FIG. 7 is a bottom view thereof; and,
FIG. 8 is a bottom perspective view thereof, shown in the environment of a clasp for handbag.
The shadows and reflections in the photos form no part of the claimed design.
The broken line showing of the body of the handbag and portions of the clasp in the drawings shows unclaimed subject matter.

1 Claim, 8 Drawing Sheets



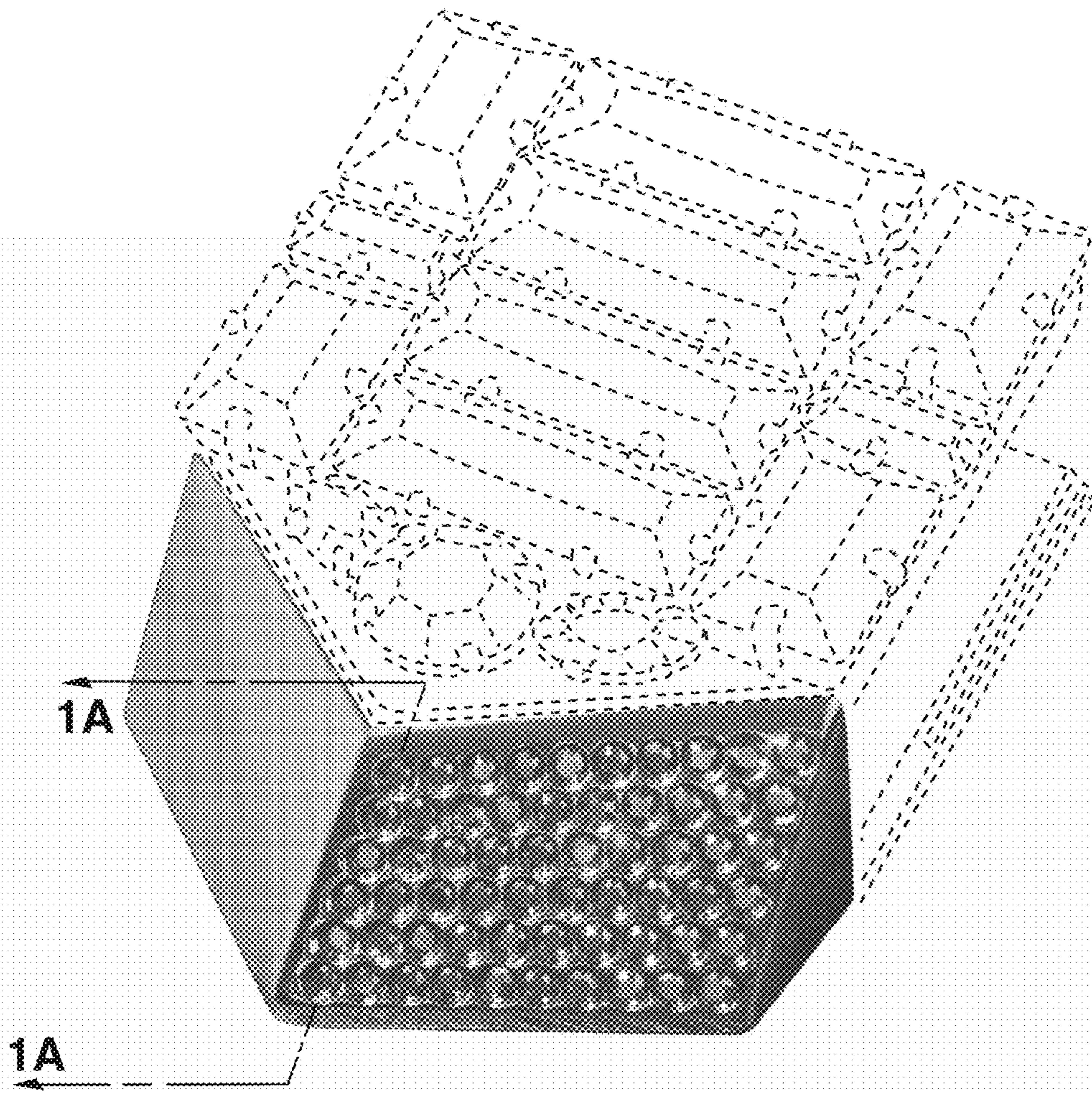


FIG. 1



FIG. 1A

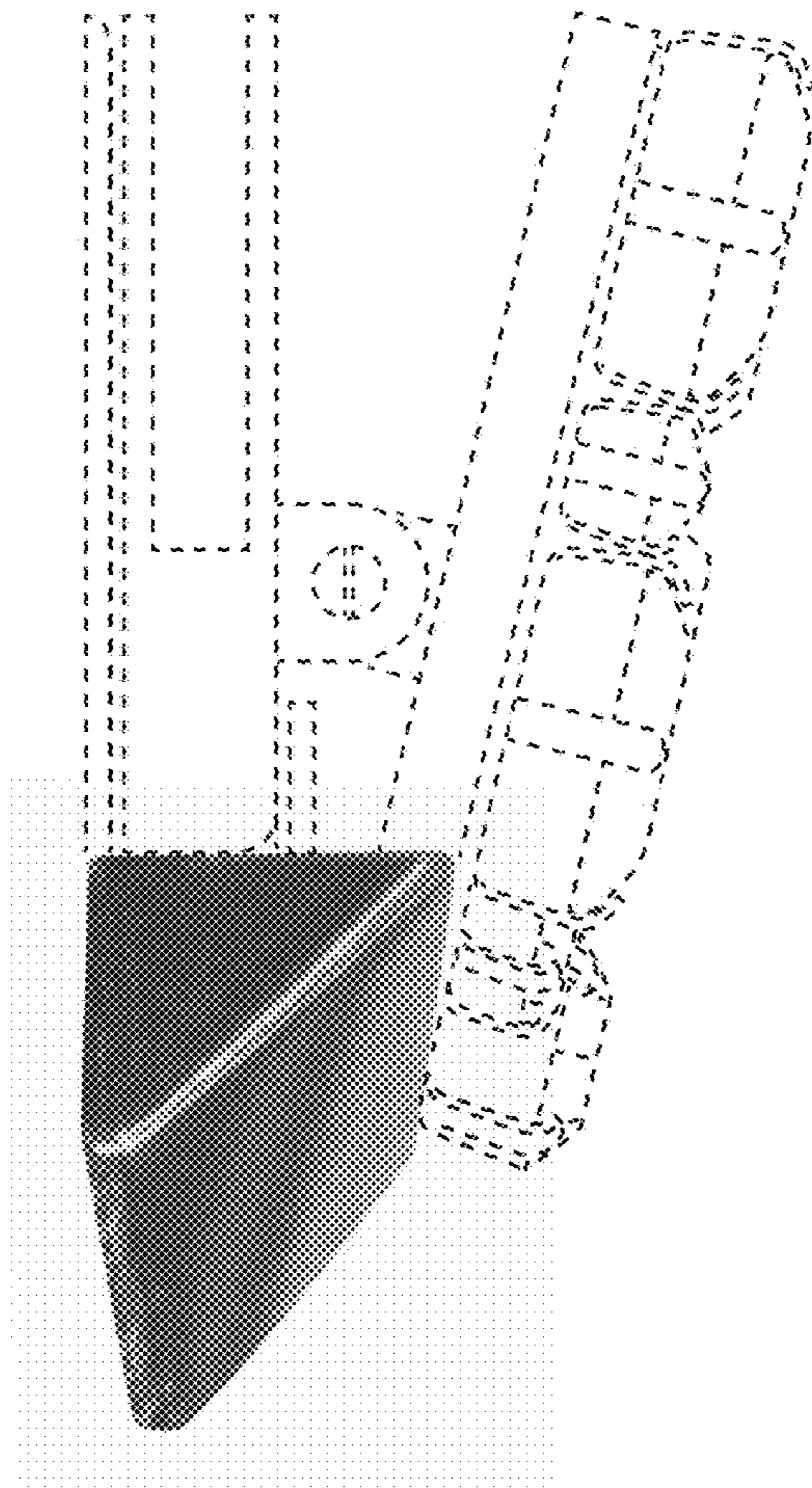


FIG. 2

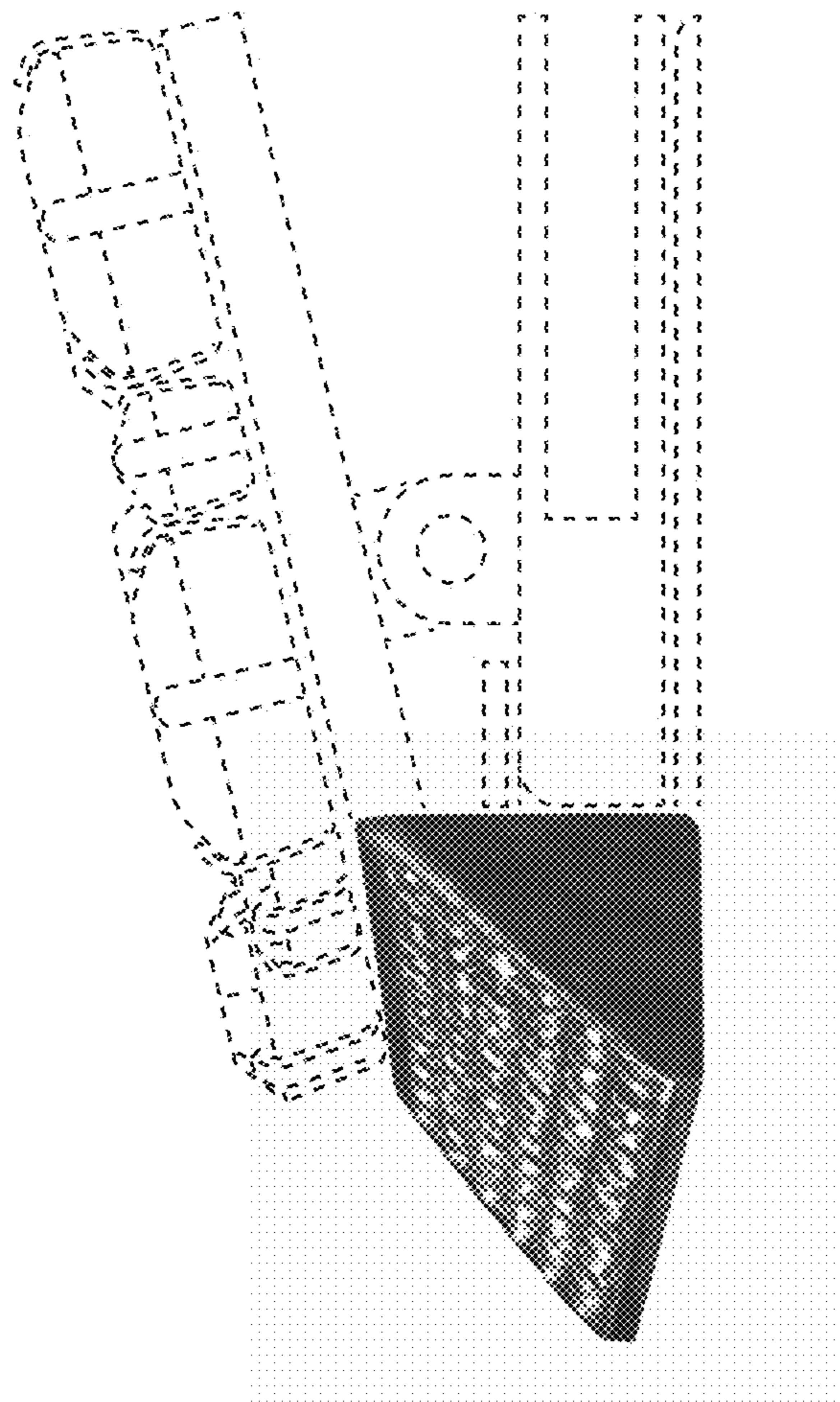


FIG. 3

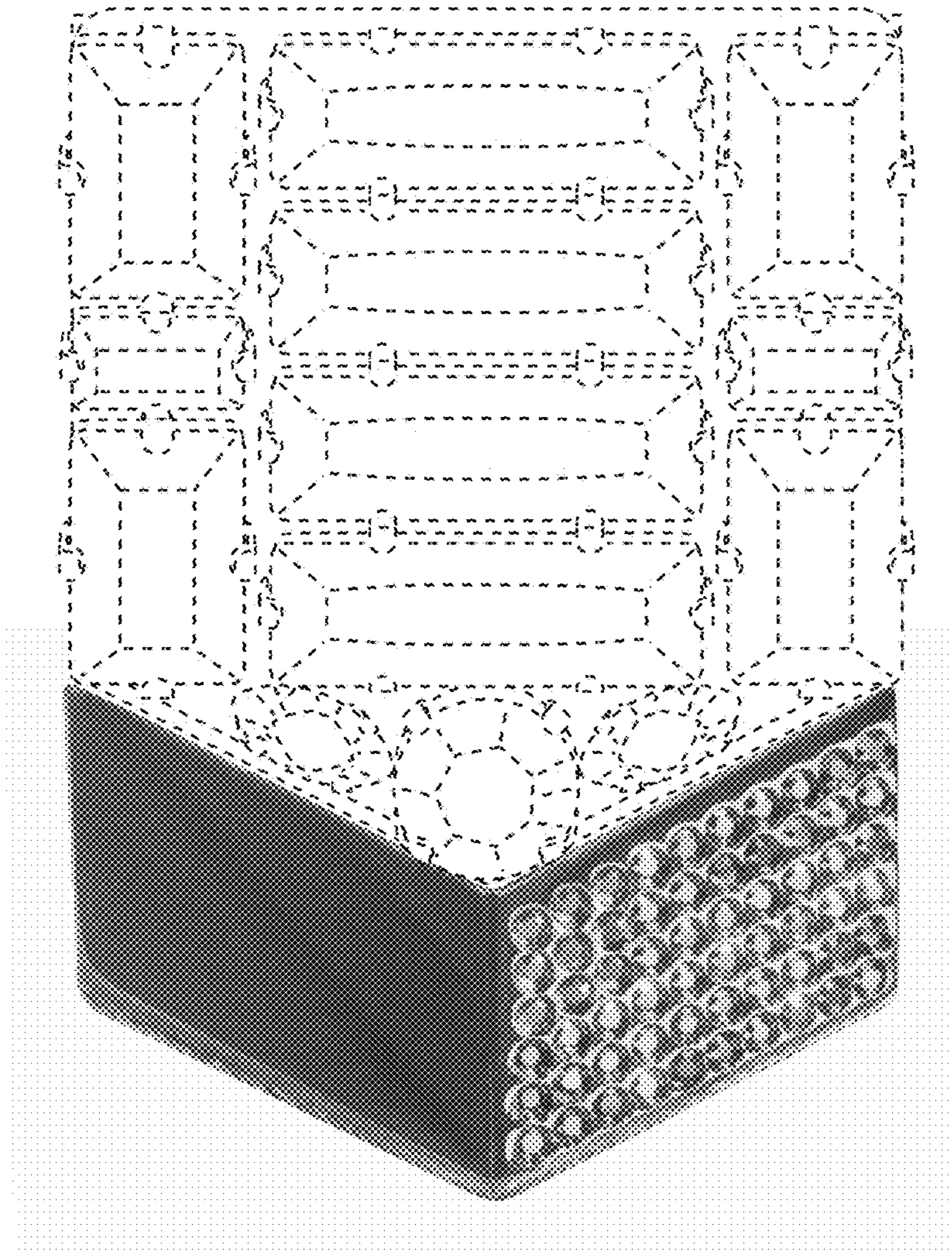


FIG. 4

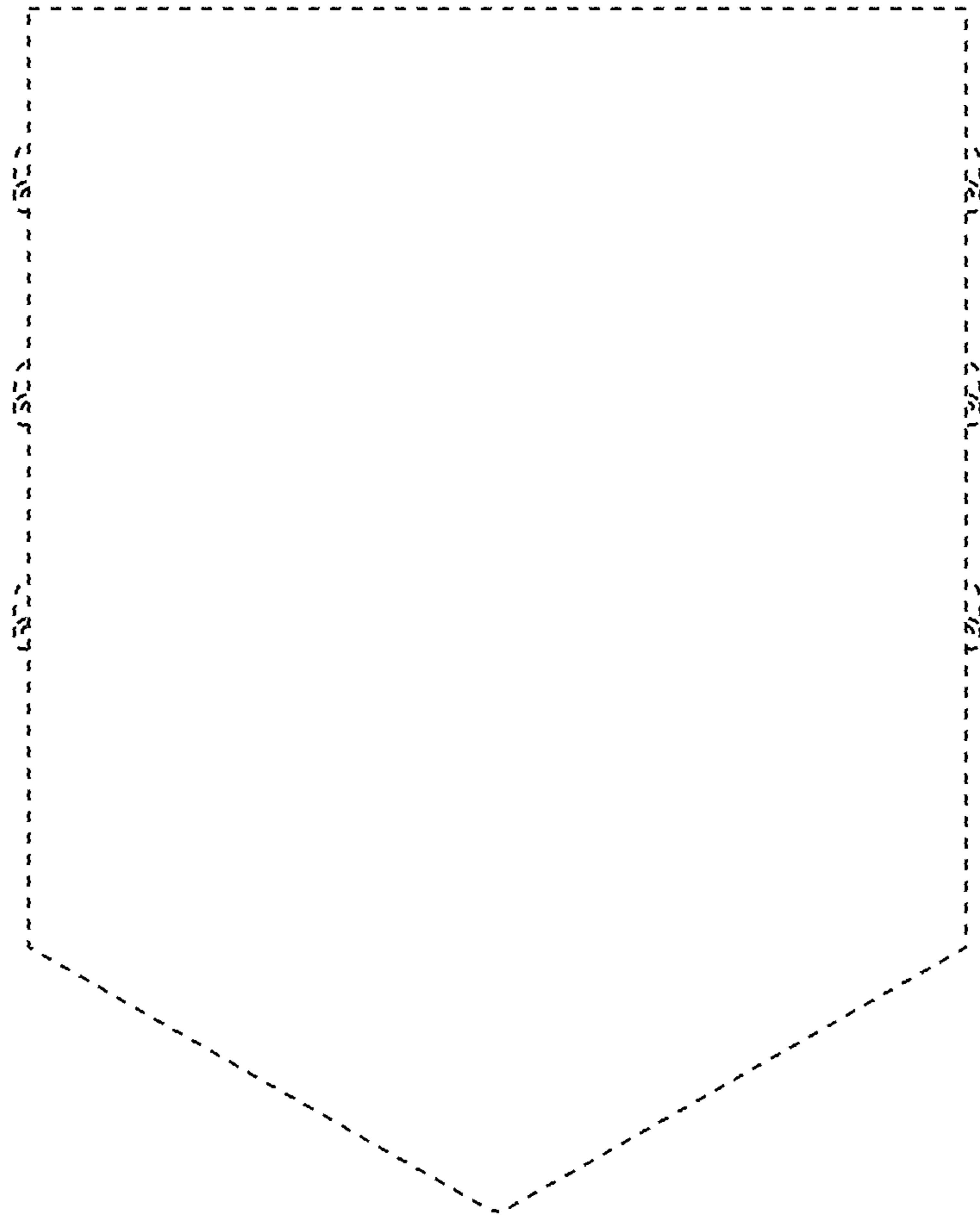


FIG. 5

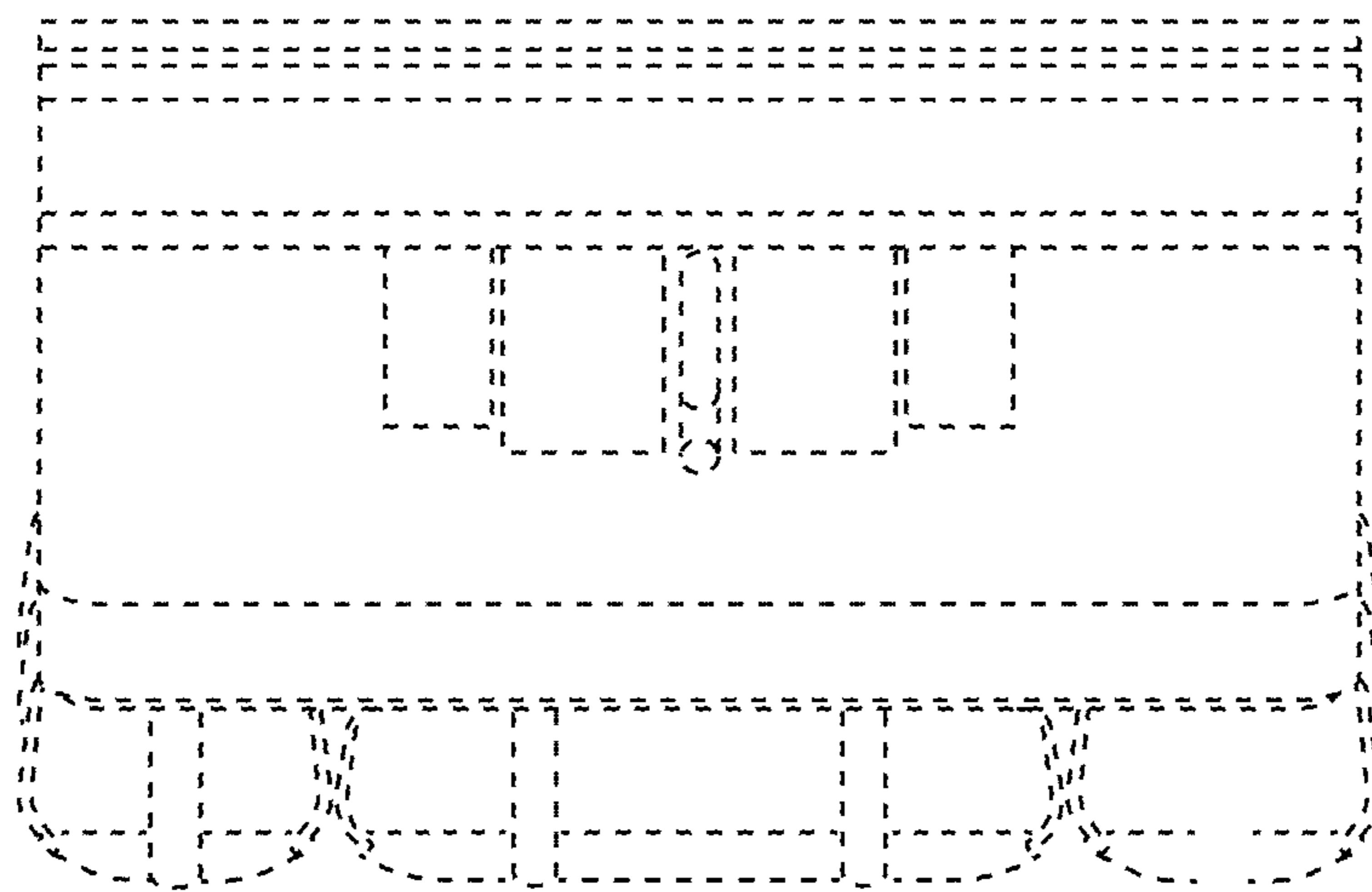


FIG. 6

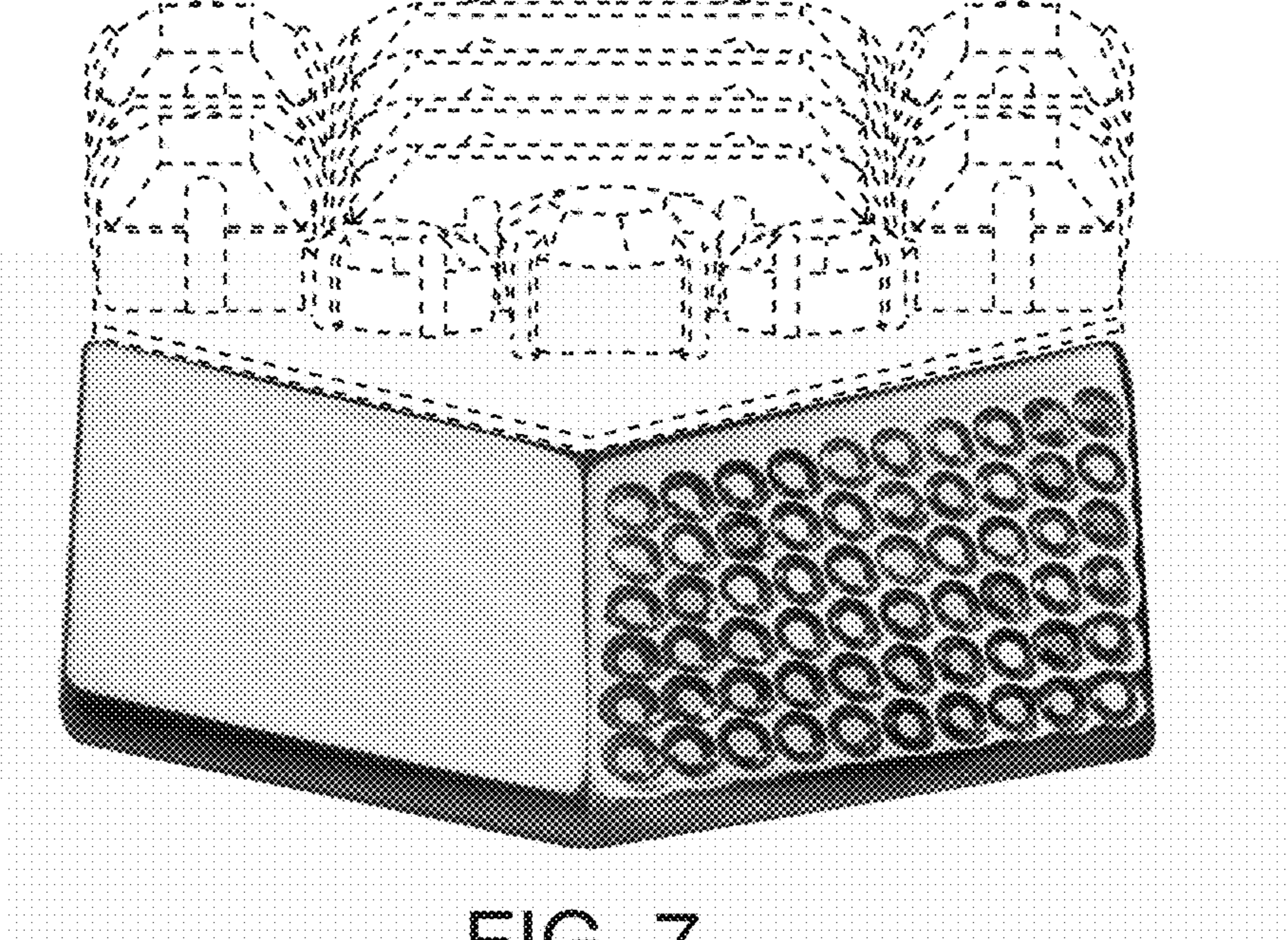


FIG. 7

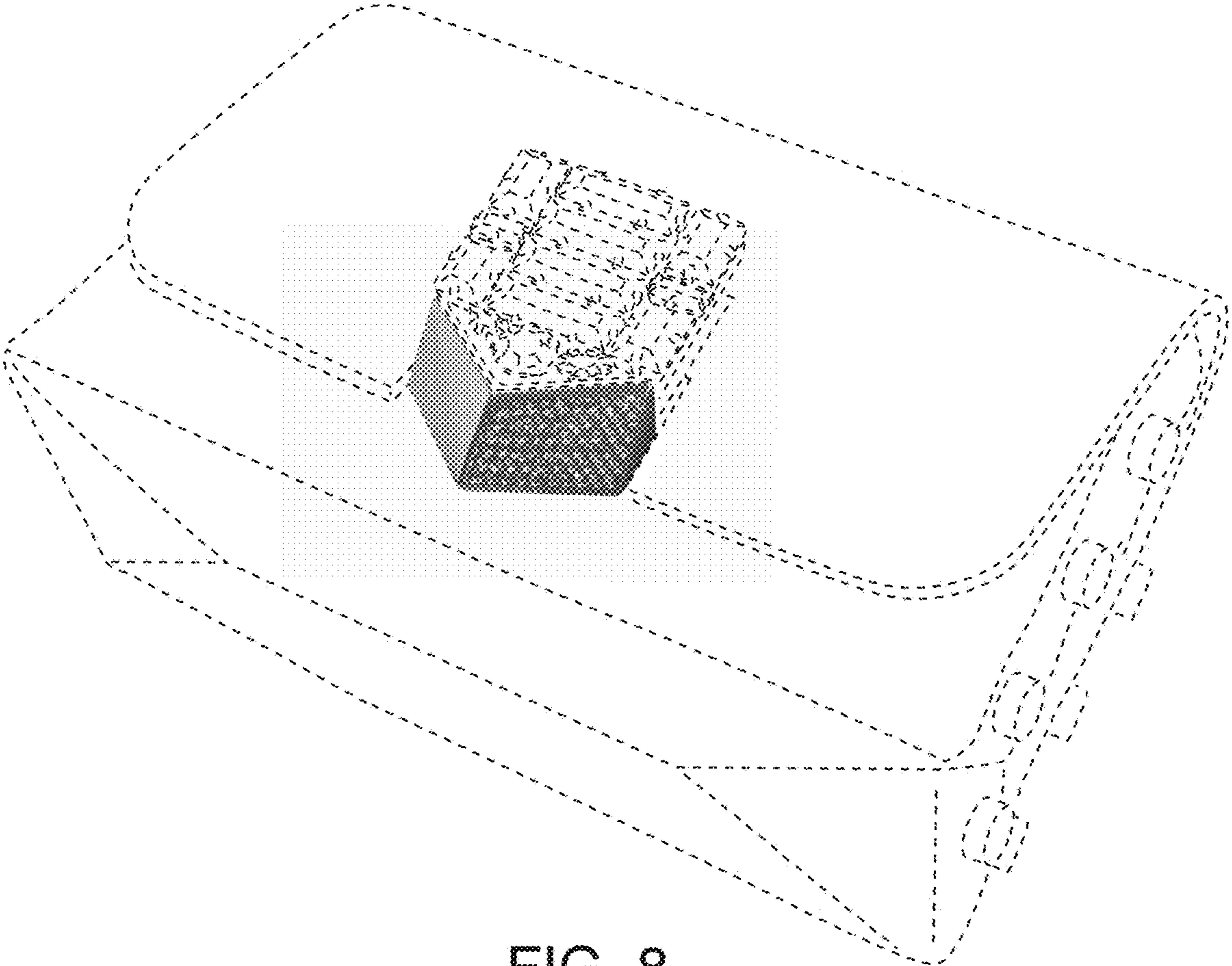


FIG. 8