

US00D842607S

(12) **United States Design Patent** (10) **Patent No.:** **US D842,607 S**
Kraemer (45) **Date of Patent:** **** Mar. 12, 2019**

(54) **HOLDER**
(71) Applicant: **InterDesign, Inc.**, Solon, OH (US)
(72) Inventor: **Kevin Francis Kraemer**, Chagrin Falls, OH (US)
(73) Assignee: **InterDesign, Inc.**, Solon, OH (US)
(**) Term: **15 Years**
(21) Appl. No.: **29/636,788**
(22) Filed: **Feb. 12, 2018**

4,720,013 A * 1/1988 Nichols B65D 21/06
206/506
D301,186 S * 5/1989 Warwicker D3/206
D310,896 S * 9/1990 Winjum D3/313
5,353,930 A * 10/1994 Berry, Jr. A61L 2/26
206/370
D421,183 S * 2/2000 Koskinen D3/304
D494,759 S * 8/2004 Louie D3/304
D505,788 S * 6/2005 Sorrenti D3/304
D512,836 S * 12/2005 Marnell, II D3/313
D537,251 S * 2/2007 Musgrove D3/201
D547,064 S * 7/2007 Snell D3/304
D549,456 S * 8/2007 Dretzka D3/304
D549,457 S * 8/2007 Dretzka D3/304

(Continued)

Related U.S. Application Data

(63) Continuation of application No. 29/552,628, filed on Jan. 25, 2016, now Pat. No. Des. 809,797, which is a continuation of application No. 29/471,492, filed on Nov. 1, 2013, now Pat. No. Des. 751,318, which is a continuation of application No. 29/411,666, filed on Jan. 25, 2012, now Pat. No. Des. 694,548.
(51) **LOC (11) Cl.** **03-01**
(52) **U.S. Cl.**
USPC **D3/310; D3/307**
(58) **Field of Classification Search**
USPC D3/303-315, 200-201, 203.1, 203.3, D3/205-206; D19/75, 77, 86, 90, 92, D19/100; 206/503-507, 510, 512, 564, 206/822; D32/37; D9/643-647, 703, D9/425-426, 432; 220/607, 643, 659, 220/676, 657; 229/100, 406, 913-914
CPC B65D 81/3813; B65D 21/00
See application file for complete search history.

(56) **References Cited**

U.S. PATENT DOCUMENTS

2,728,485 A * 12/1955 Howard B65D 71/0014
206/200
D264,514 S * 5/1982 Kordan D3/310

OTHER PUBLICATIONS

Interdesign website, Fridge/Freezer Deep Storage Binz—4", 8", 12" Width, Dec. 4, 2018, <https://www.interdesignusa.com/product/fridge-freezer-deep-storage-binz-4-8-12-width/> (Year: 2018).*

Primary Examiner — David G Muller
Assistant Examiner — Nathan M Johnston
(74) *Attorney, Agent, or Firm* — Calfee, Halter & Griswold, LLP

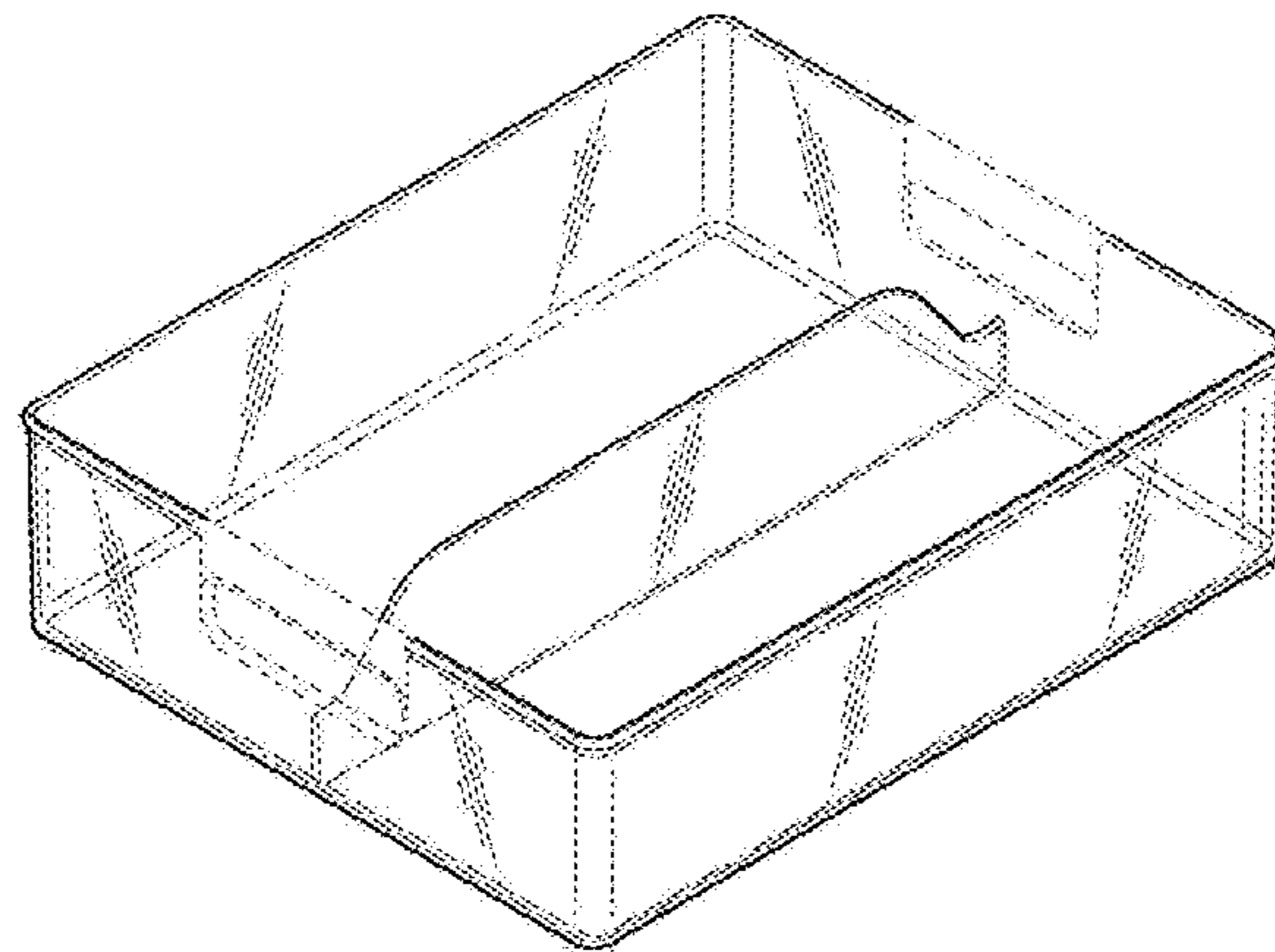
(57) **CLAIM**

I claim the ornamental design for a holder, as shown and described.

DESCRIPTION

FIG. 1 is front/right/top perspective view of a holder; FIG. 2 is a rear/left/bottom perspective view thereof; FIG. 3 is a top plan view thereof; FIG. 4 is a bottom plan view thereof; FIG. 5 is a front elevational view thereof; FIG. 6 is a rear elevational view thereof; and, FIG. 7 is a right side elevational view thereof. The broken lines depict portions of the article that form no part of the claimed design.

1 Claim, 4 Drawing Sheets



(56)

References Cited

U.S. PATENT DOCUMENTS

D557,047 S * 12/2007 Dretzka D3/304
 D657,562 S * 4/2012 McNamara D3/304
 D661,096 S * 6/2012 Dretzka D3/310
 D688,589 S * 8/2013 Hung D11/148
 D689,939 S * 9/2013 Hu D19/77
 8,635,959 B1 * 1/2014 Silknitter A47G 23/0608
 108/159.12
 D712,148 S * 9/2014 Ghiorgie D3/304
 D729,061 S * 5/2015 Rotonda D9/432
 D732,827 S * 6/2015 Suomela D3/304
 D746,593 S * 1/2016 Kroll D3/307
 D747,102 S * 1/2016 Kraemer D3/307
 D751,318 S * 3/2016 Kraemer D6/525
 D759,976 S * 6/2016 Hardy D3/306
 D770,771 S * 11/2016 Lisso D3/304
 D775,831 S * 1/2017 Duvigneau D3/304
 D795,583 S * 8/2017 Diehl D3/307
 D806,391 S * 1/2018 Ghiorghie D3/304
 D809,797 S * 2/2018 Kraemer D3/307
 D817,641 S * 5/2018 Yeh D3/313
 D827,303 S * 9/2018 Duvigneau D3/312
 D830,060 S * 10/2018 Kraemer D3/310
 D832,115 S * 10/2018 Fitchett D9/711
 D834,314 S * 11/2018 Nicoline D3/304
 2011/0308991 A1 * 12/2011 Hubbard B65D 5/2047
 206/557
 2015/0136719 A1 * 5/2015 Bally A47F 3/14
 211/126.1

* cited by examiner

FIG. 1

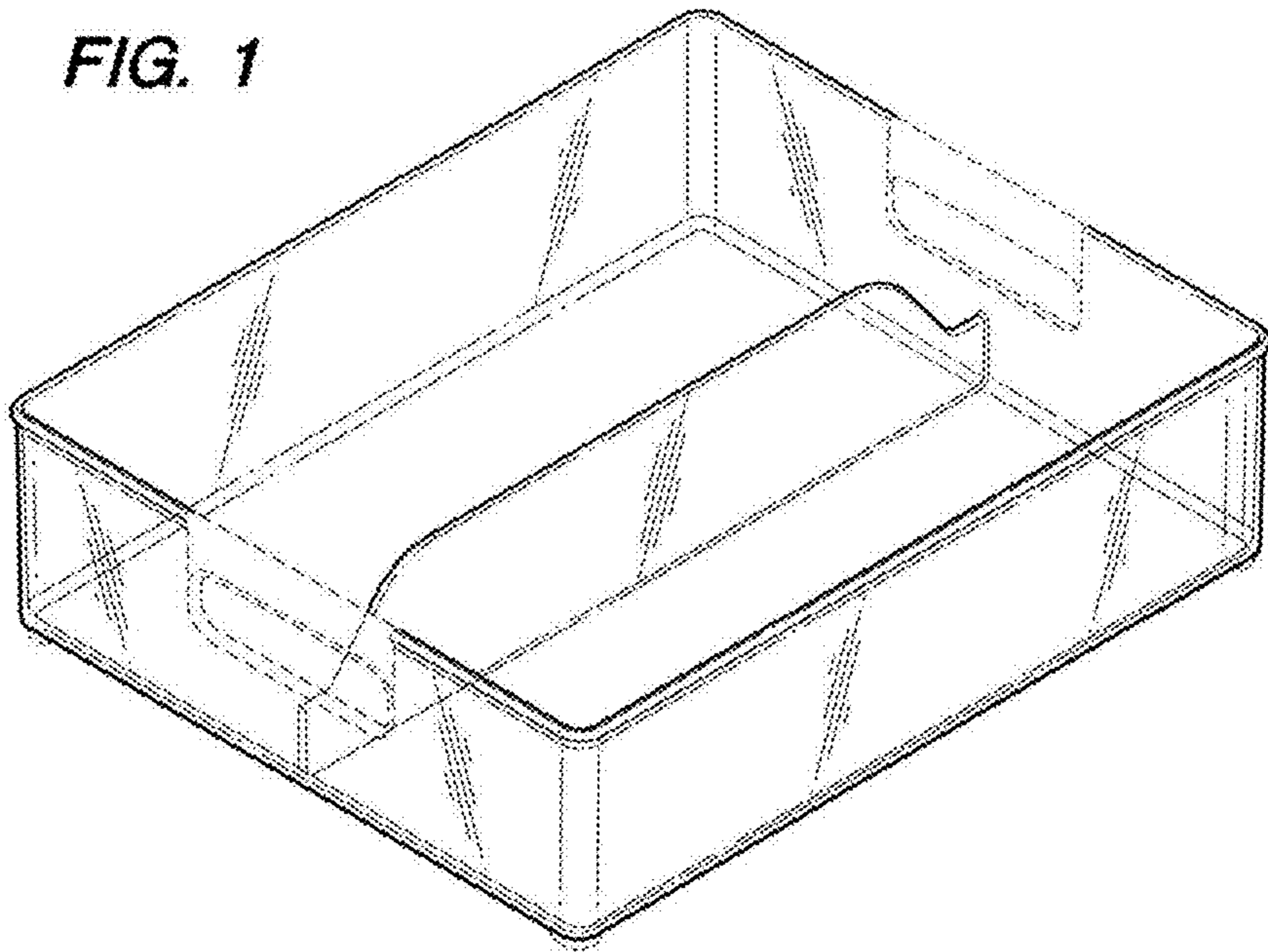
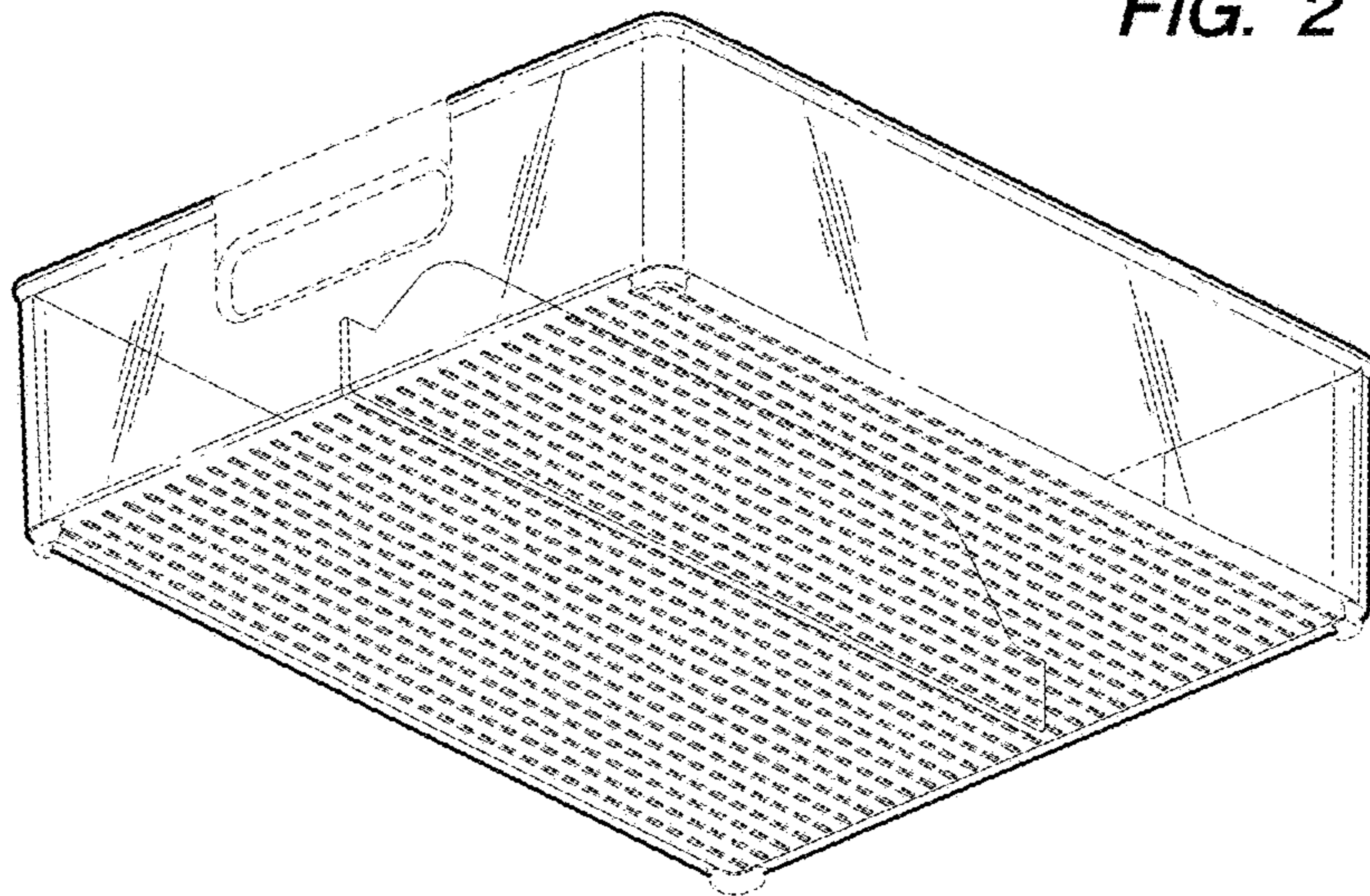


FIG. 2



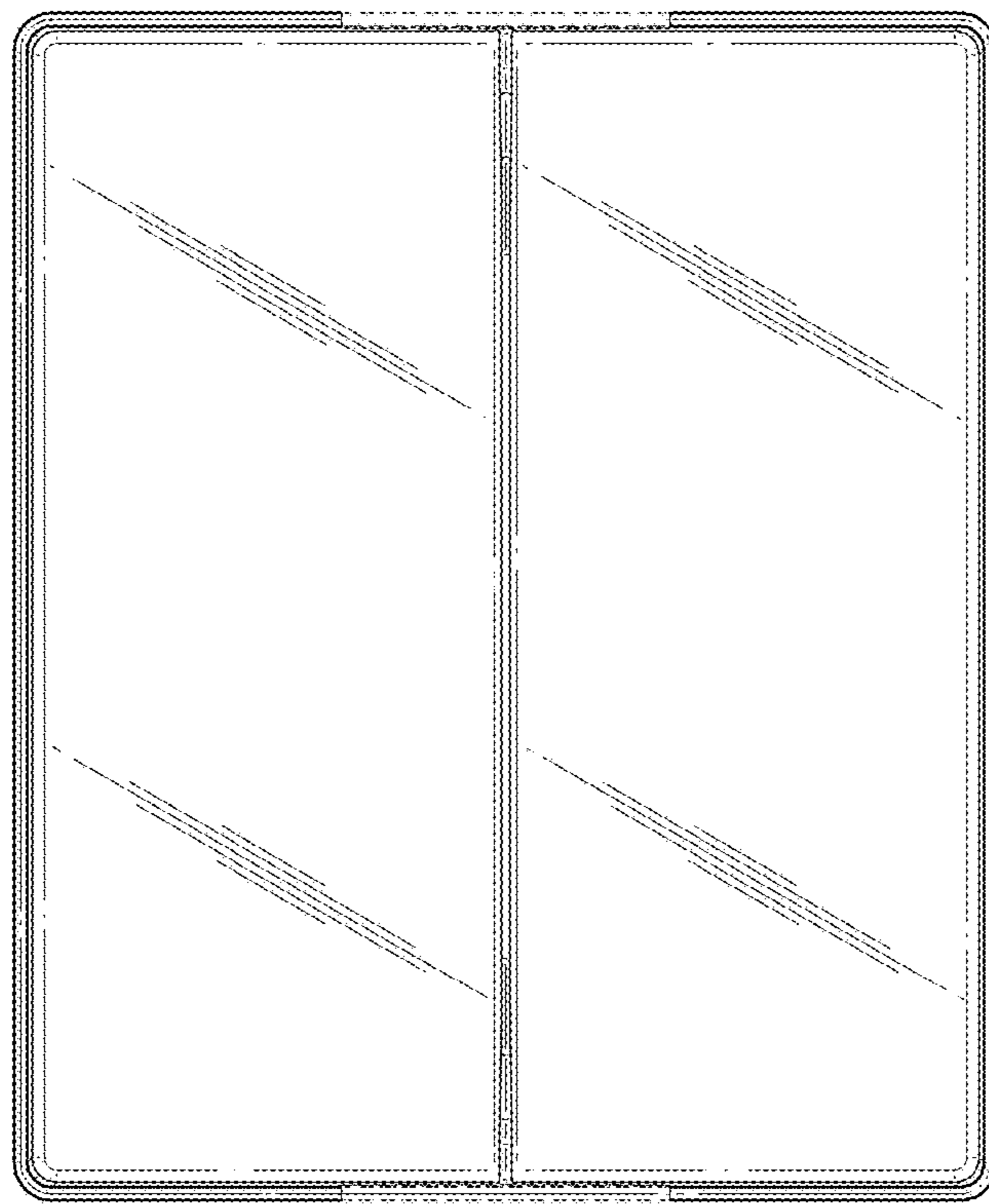


FIG. 3

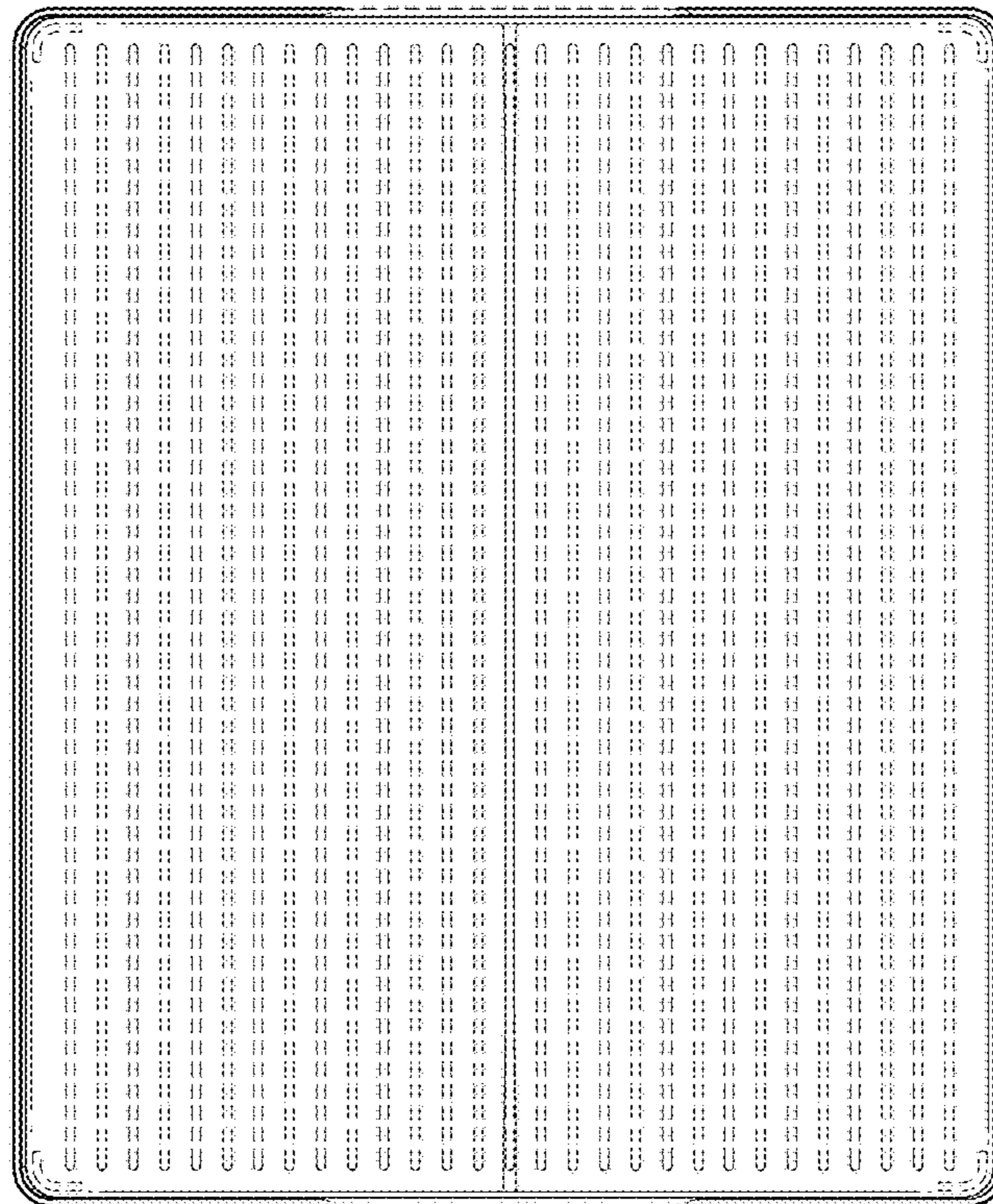


FIG. 4

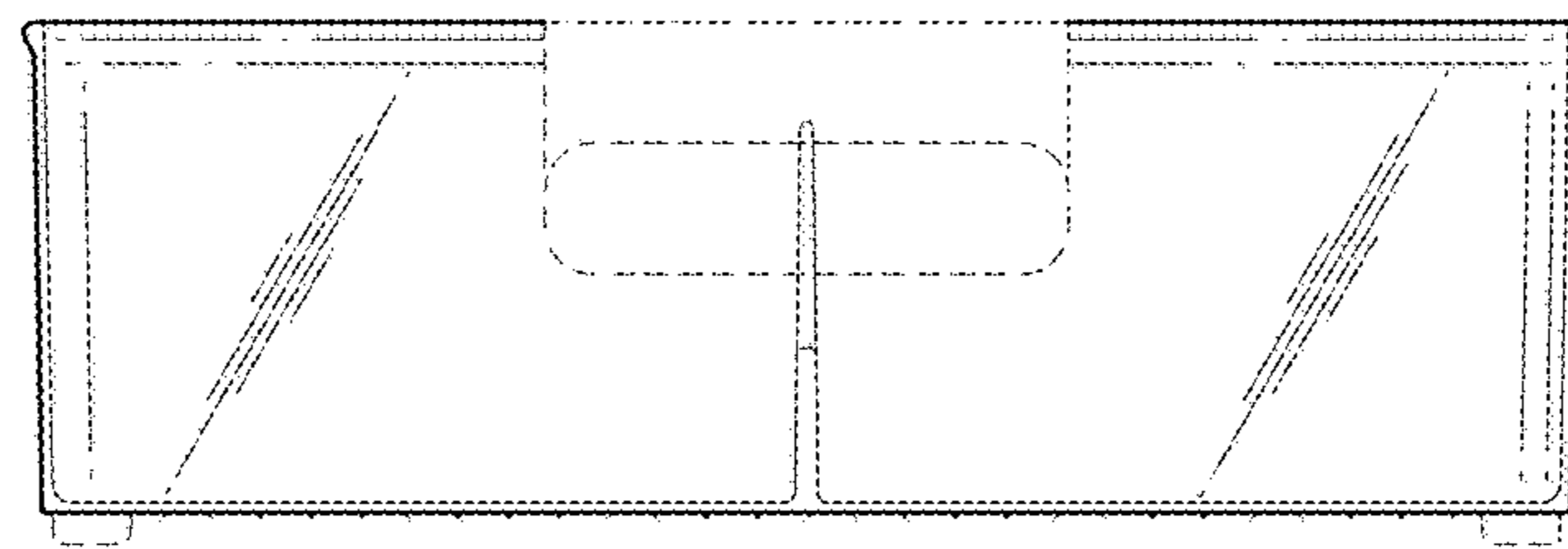


FIG. 5

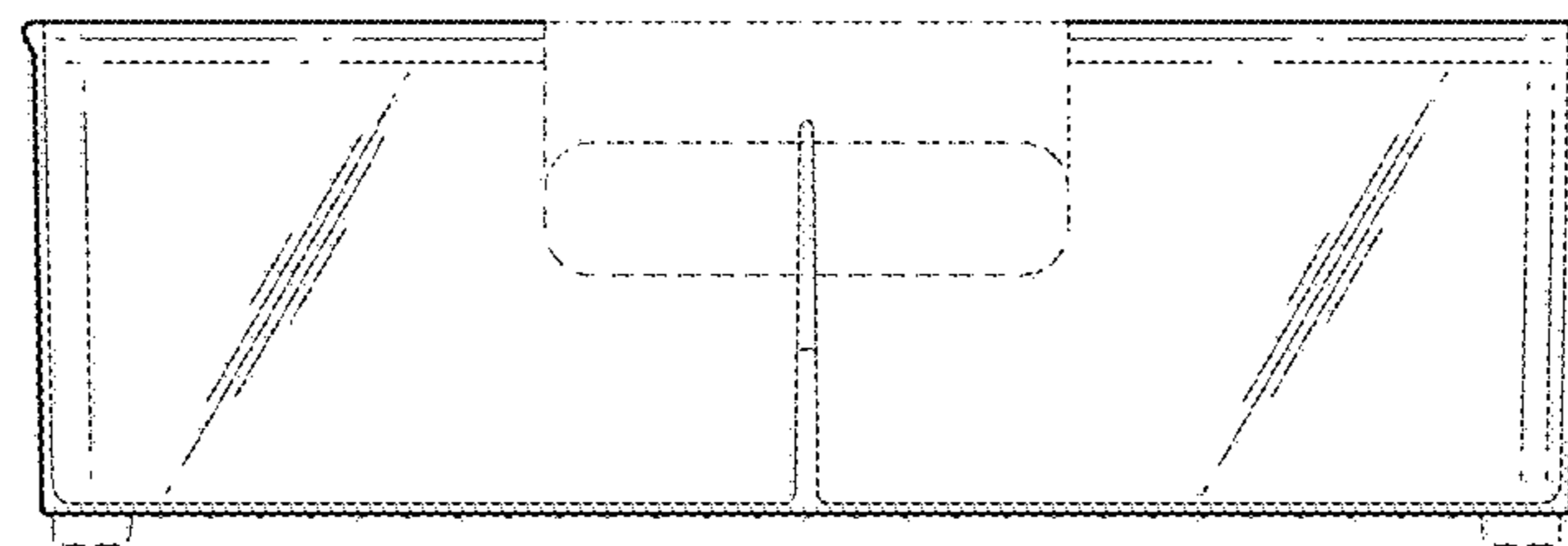


FIG. 6

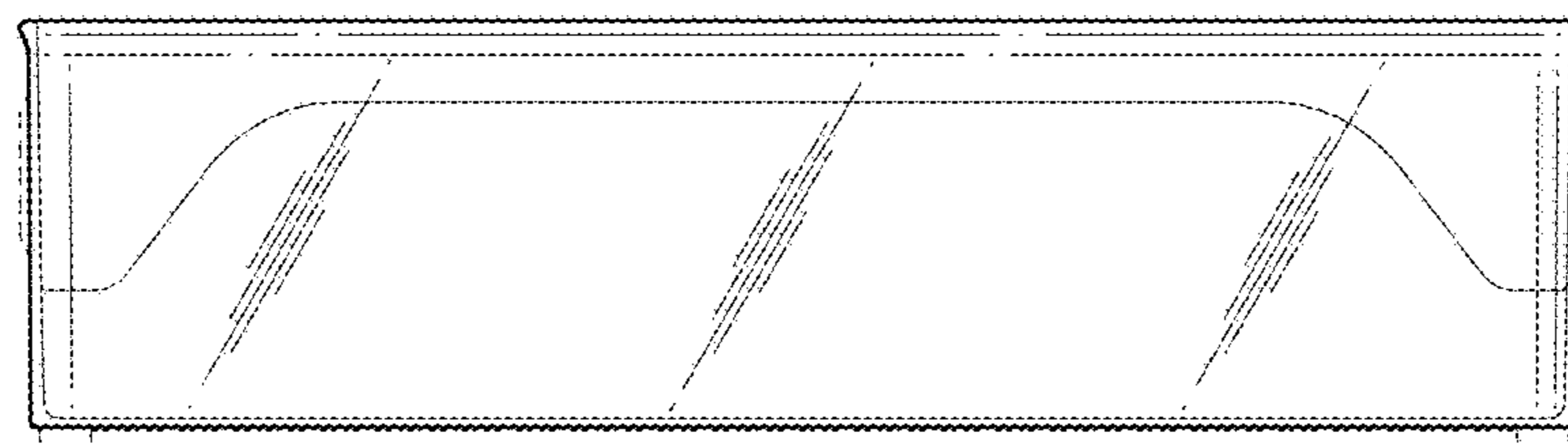


FIG. 7