

US00D842606S

(12) **United States Design Patent**
Kraemer

(10) **Patent No.:** **US D842,606 S**
(45) **Date of Patent:** **** Mar. 12, 2019**

- (54) **BIN**
- (71) Applicant: **InterDesign, Inc**, Solon, OH (US)
- (72) Inventor: **Kevin Francis Kraemer**, Cuyahoga Falls, OH (US)
- (73) Assignee: **InterDesign, Inc.**, Solon, OH (US)
- (**) Term: **15 Years**

- D423,587 S * 4/2000 Conley D19/75
 - D424,117 S * 5/2000 Steinbeck D19/75
 - D425,128 S * 5/2000 Conley D19/75
 - D425,562 S * 5/2000 Conley D19/75
 - D487,347 S * 3/2004 Felsenthal D3/305
 - D494,759 S * 8/2004 Louie D3/304
 - 7,270,245 B2 * 9/2007 Cheng A47B 55/02
211/126.15
 - D565,664 S * 4/2008 Gusdorf D19/90
- (Continued)

- (21) Appl. No.: **29/638,819**
- (22) Filed: **Mar. 1, 2018**

Related U.S. Application Data

- (63) Continuation of application No. 29/546,621, filed on Nov. 24, 2015, now Pat. No. Des. 811,768, which is a continuation of application No. 29/423,096, filed on May 29, 2012, now Pat. No. Des. 746,643.

- (51) **LOC (11) Cl.** **09-04**
- (52) **U.S. Cl.**
USPC **D3/307; D32/37**

- (58) **Field of Classification Search**
USPC D3/200–201, 203.1, 203.3, 205–206, D3/303–315; D19/75, 77, 86, 90, 92, D19/100; 206/503–507, 510, 512, 564, 206/822; D32/37; D9/643–647, 703, D9/425–426, 432; 220/607, 643, 659, 220/676, 657; 229/100, 406, 913–914
CPC B65D 81/3813; B65D 21/00
See application file for complete search history.

- (56) **References Cited**

U.S. PATENT DOCUMENTS

- D140,404 S * 2/1945 Wilson D3/312
- D167,622 S * 9/1952 Erickson D3/312
- 3,186,586 A * 6/1965 Box B65D 1/243
206/508
- D231,771 S * 6/1974 Gary D3/312
- D419,302 S * 1/2000 Hardy D19/75
- D421,183 S * 2/2000 Koskinen D3/304

OTHER PUBLICATIONS

Interdesign website, Linus Bathroom Organizer Bin, Dec. 4, 2018, <https://www.interdesignusa.com/product/linus-bathroom-organizer-bin/>.*

Primary Examiner — David G Muller
Assistant Examiner — Nathan M Johnston
(74) *Attorney, Agent, or Firm* — Calfee, Halter & Griswold, LLP

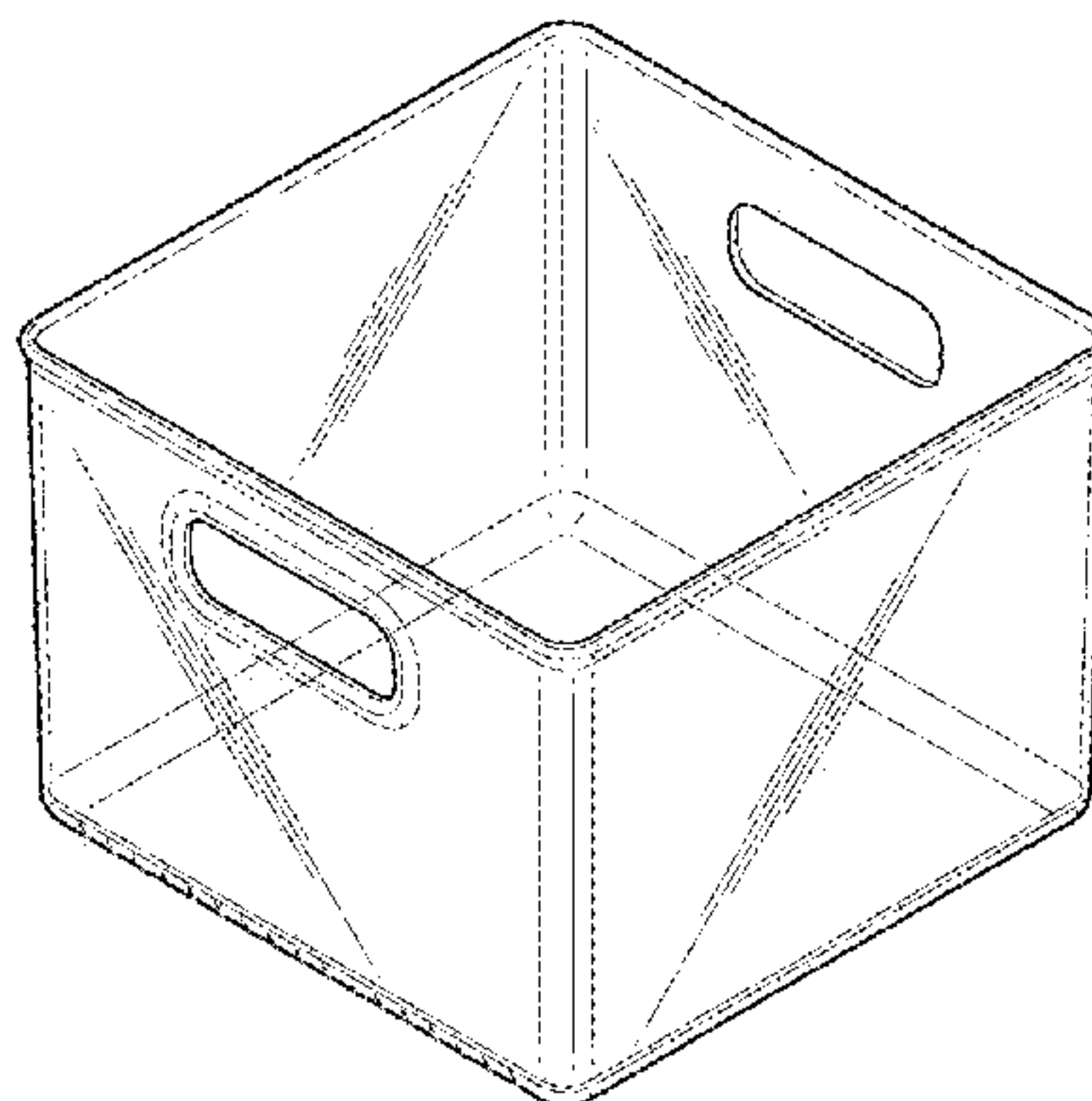
(57) **CLAIM**

I claim the ornamental design for a bin, as shown and described.

DESCRIPTION

FIG. 1 is a front/right/top perspective view of a bin; a front/left/top perspective view would be a mirror image thereof;
FIG. 2 is a rear/left/bottom perspective view thereof; a rear/right/bottom perspective view would be a mirror image thereof;
FIG. 3 is a top plan view thereof;
FIG. 4 is a bottom plan view thereof;
FIG. 5 is a front elevational view thereof;
FIG. 6 is a rear elevational view thereof;
FIG. 7 is a right side elevational view thereof; and,
FIG. 8 is a left side elevational view thereof.
The broken lines depict portions that form no part of the claimed design.

1 Claim, 4 Drawing Sheets



(56)

References Cited

U.S. PATENT DOCUMENTS

D677,056	S *	3/2013	Hu	D3/306
8,424,710	B2 *	4/2013	Orgeldinger	B65D 11/1833 220/6
D710,442	S *	8/2014	Stravitz	D19/90
D710,612	S *	8/2014	Kolano	D3/309
D712,477	S *	9/2014	Stravitz	D19/90
D728,939	S *	5/2015	Suomela	D3/304
D732,827	S *	6/2015	Suomela	D3/304
D746,590	S *	1/2016	Allen	D3/304
D746,593	S *	1/2016	Kroll	D3/307
D747,102	S *	1/2016	Kraemer	D3/307
D752,345	S *	3/2016	Szucs	D3/305
D756,651	S *	5/2016	Ruiz	D3/309
D770,771	S *	11/2016	Lisso	D3/304
D775,831	S *	1/2017	Duvigneau	D3/304
D780,264	S *	2/2017	Greenspon	D19/90
D789,089	S *	6/2017	Duvigneau	D3/306
D795,583	S *	8/2017	Diehl	D3/307
D799,830	S *	10/2017	Greenwood	D3/312
D801,687	S *	11/2017	Holland	D3/309
D801,688	S *	11/2017	Holland	D3/309
D807,036	S *	1/2018	Hardy	D3/306
D809,797	S *	2/2018	Kraemer	D3/307
D832,115	S *	10/2018	Fitchett	D9/711
2008/0179336	A1 *	7/2008	Whitney	B65D 1/22 220/643
2014/0061083	A1 *	3/2014	Scott	B65D 5/32 206/459.5

* cited by examiner

FIG. 1

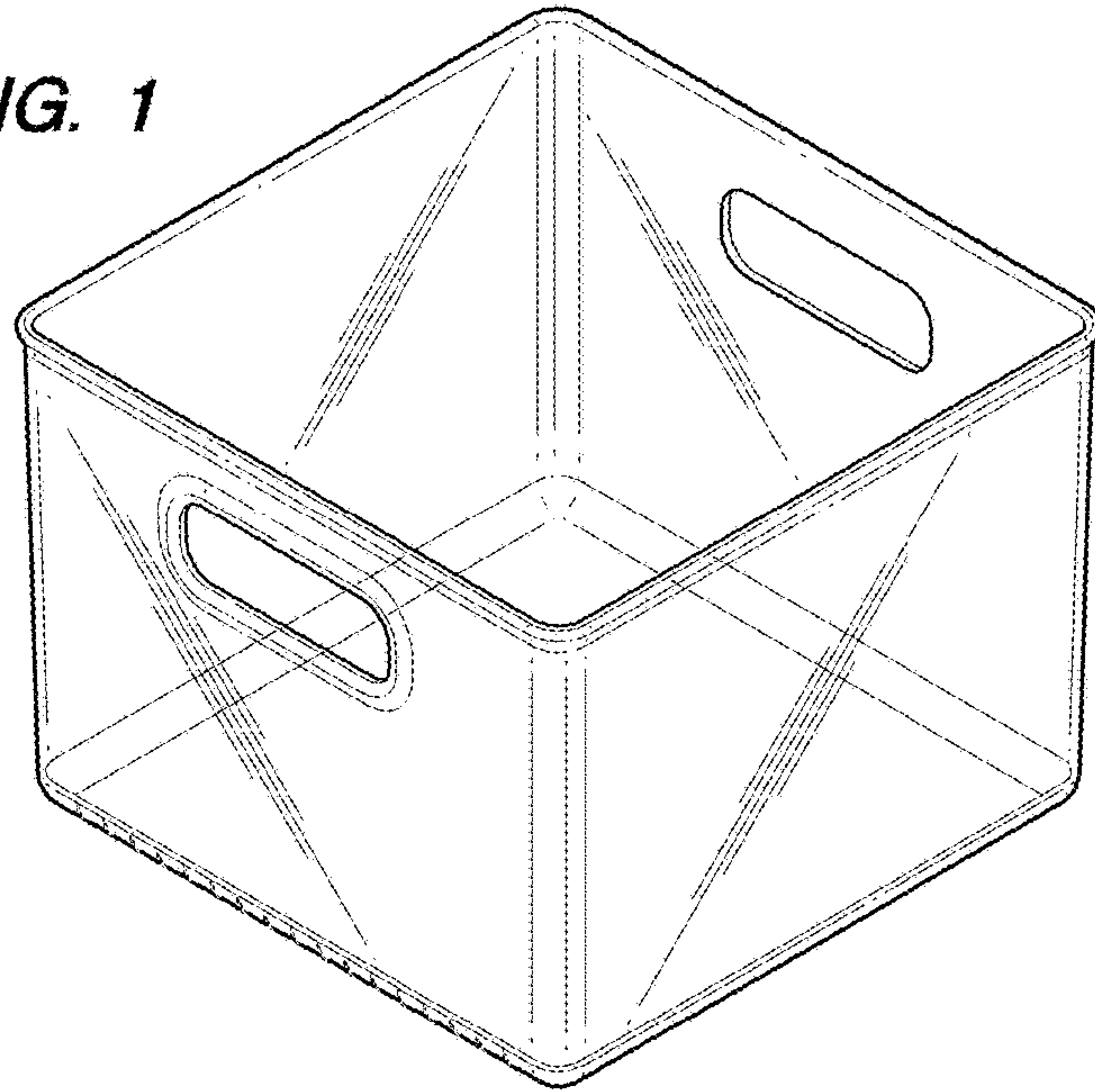
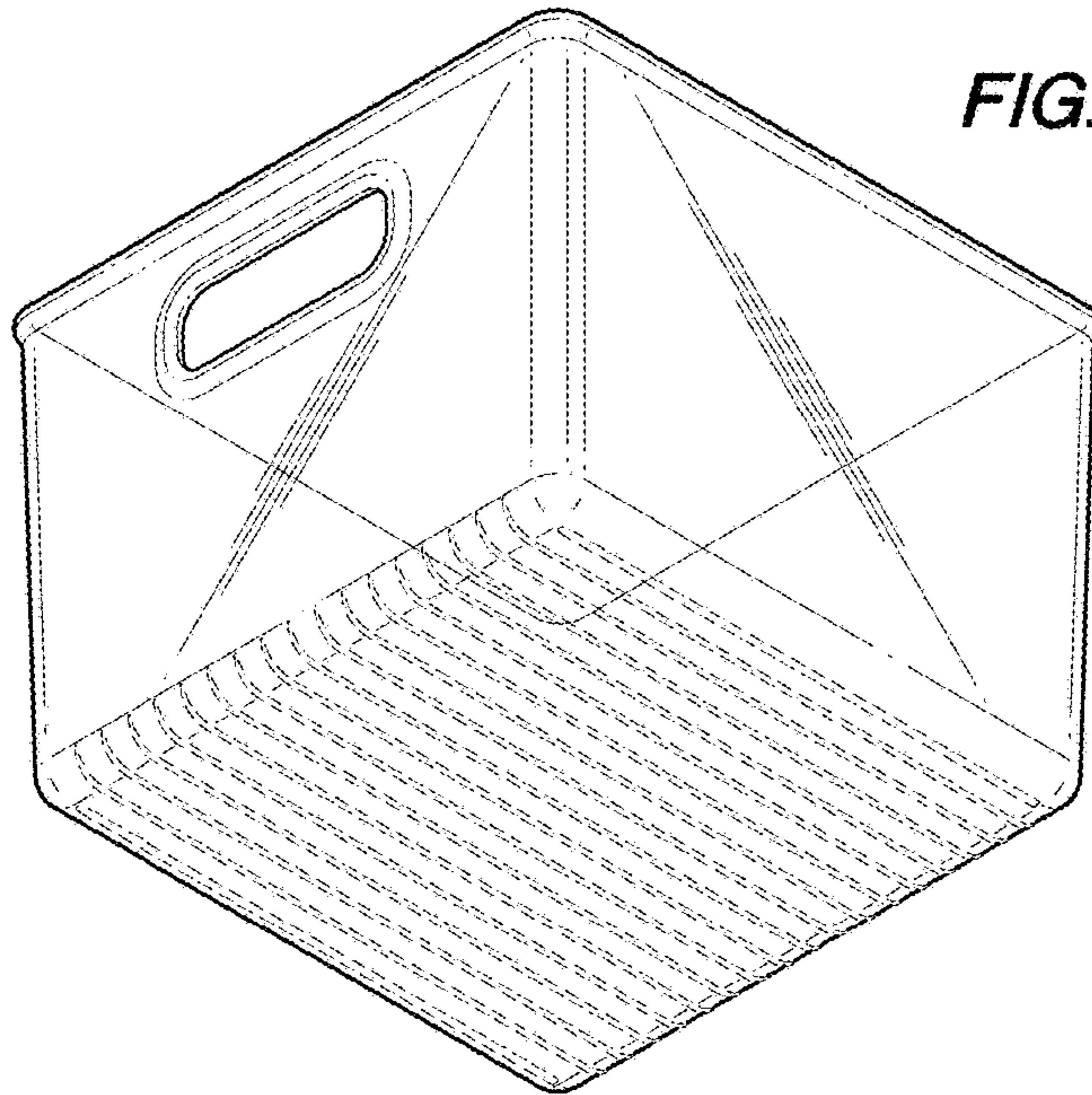


FIG. 2



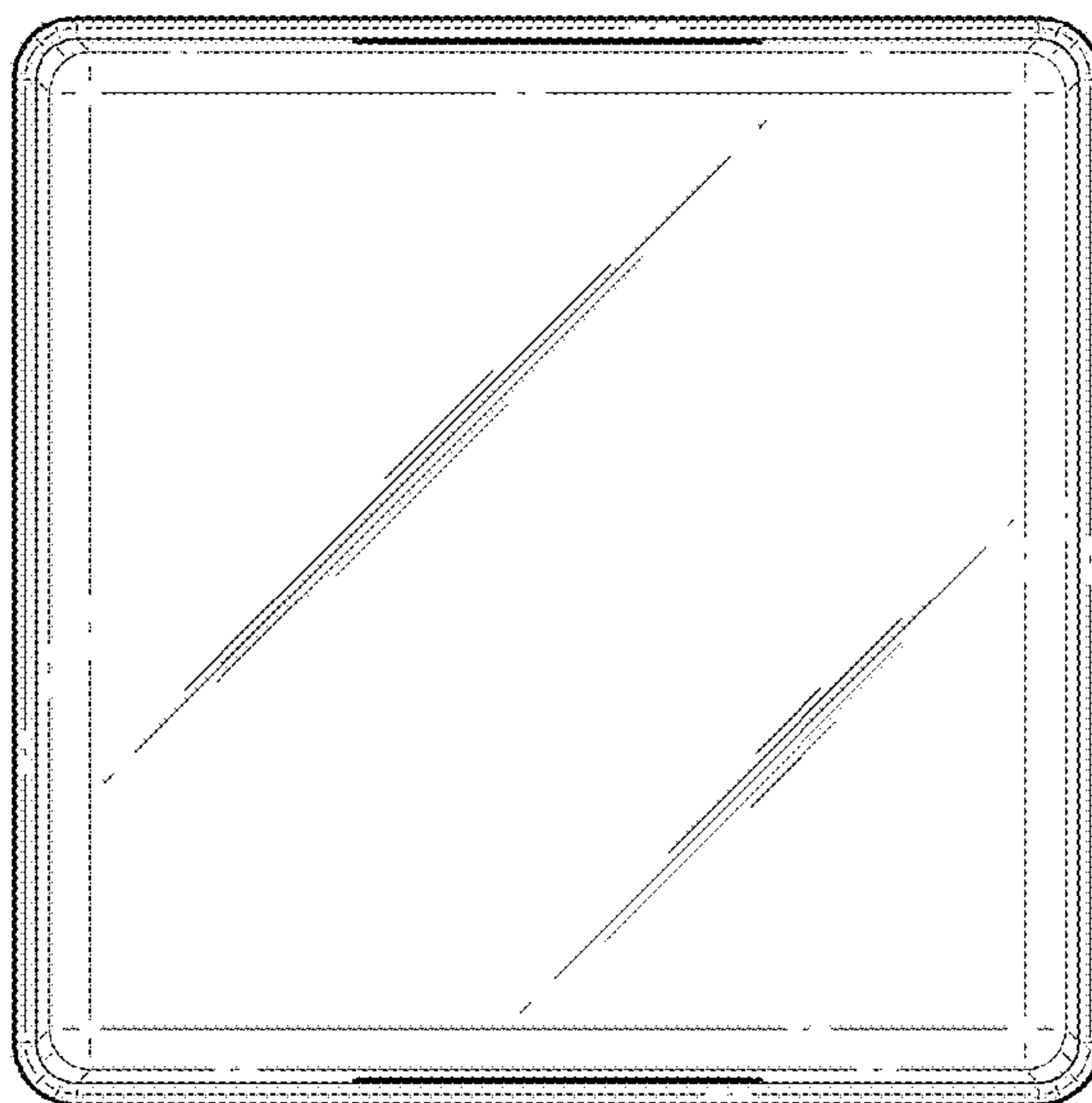


FIG. 3

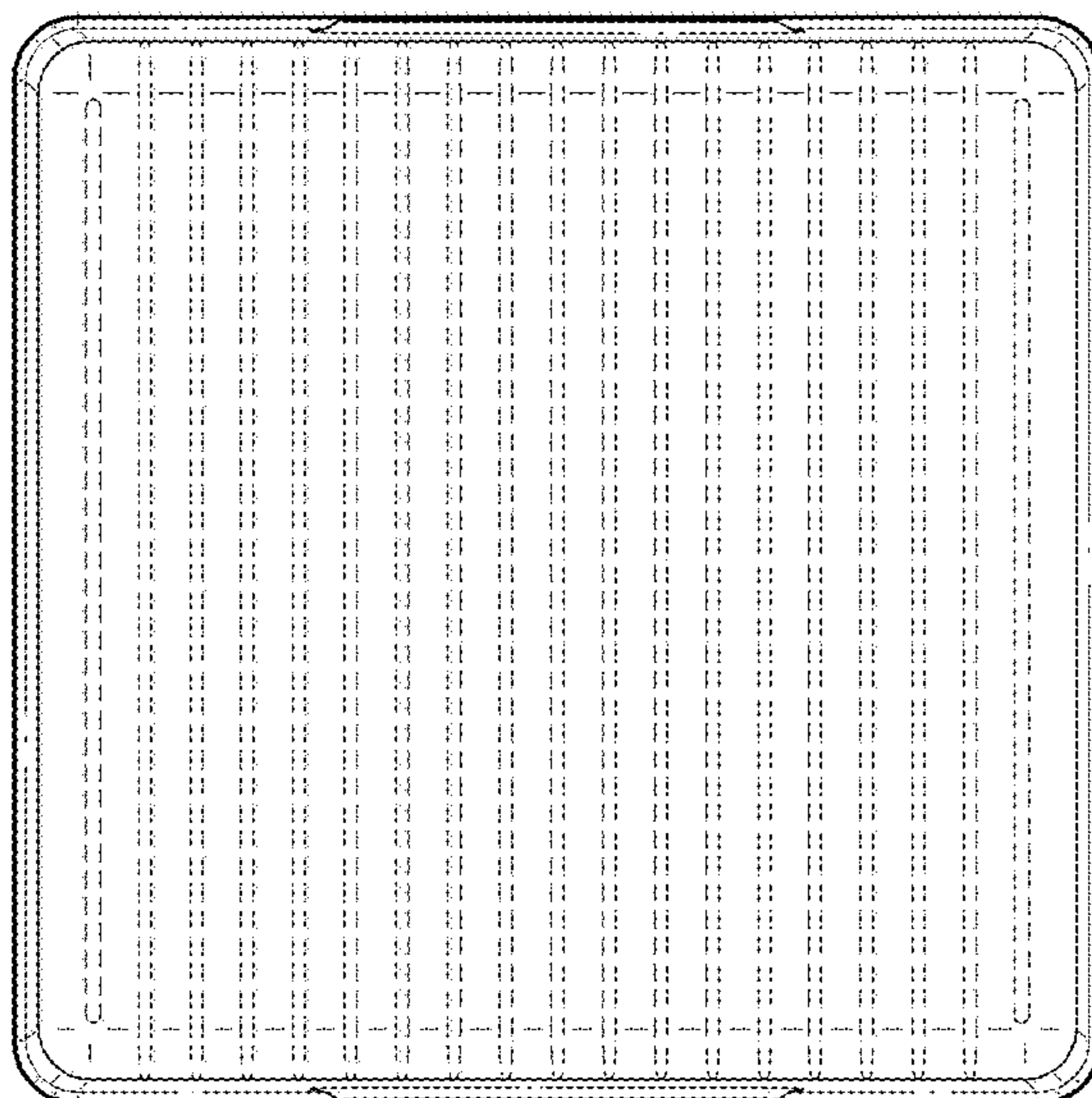


FIG. 4

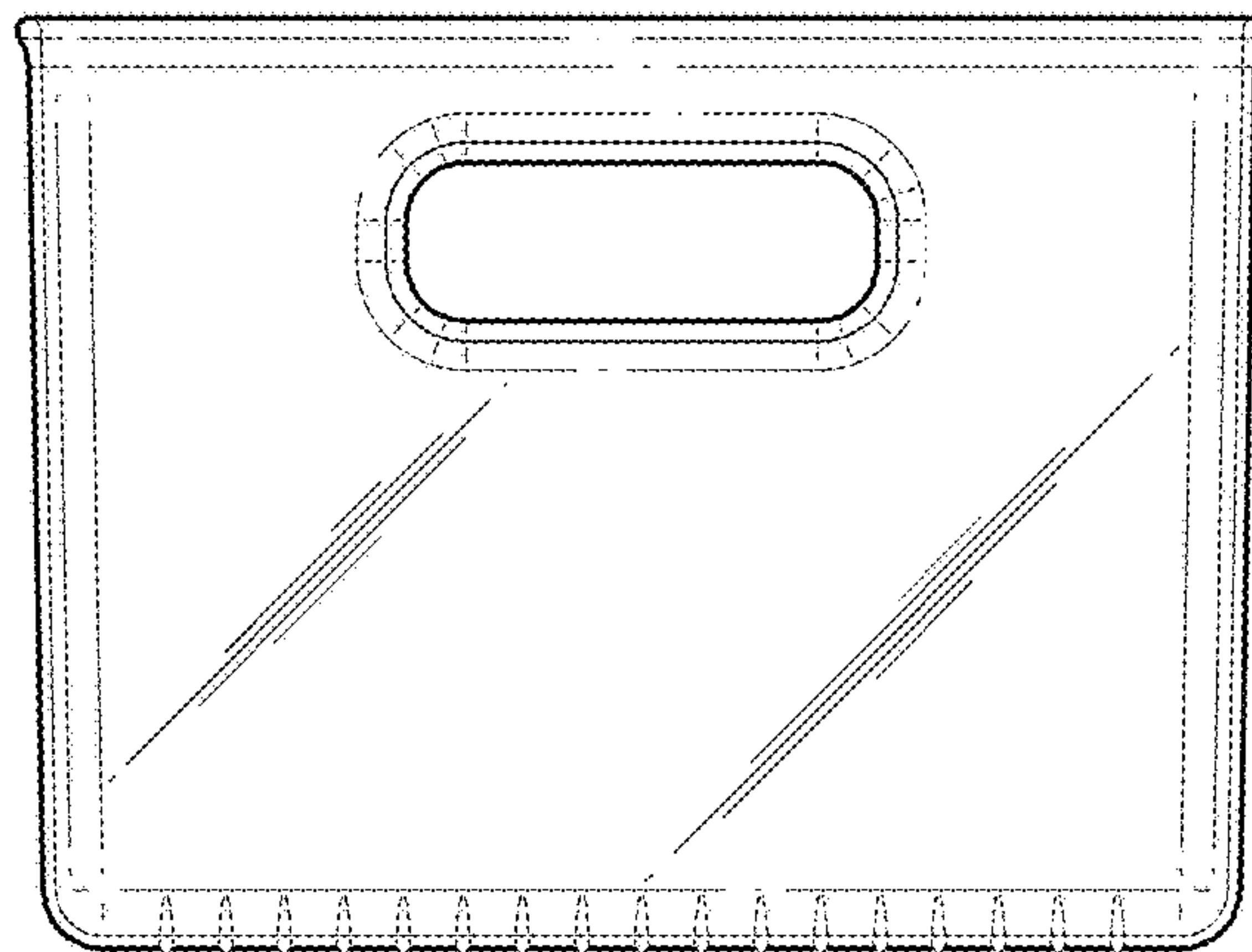


FIG. 5

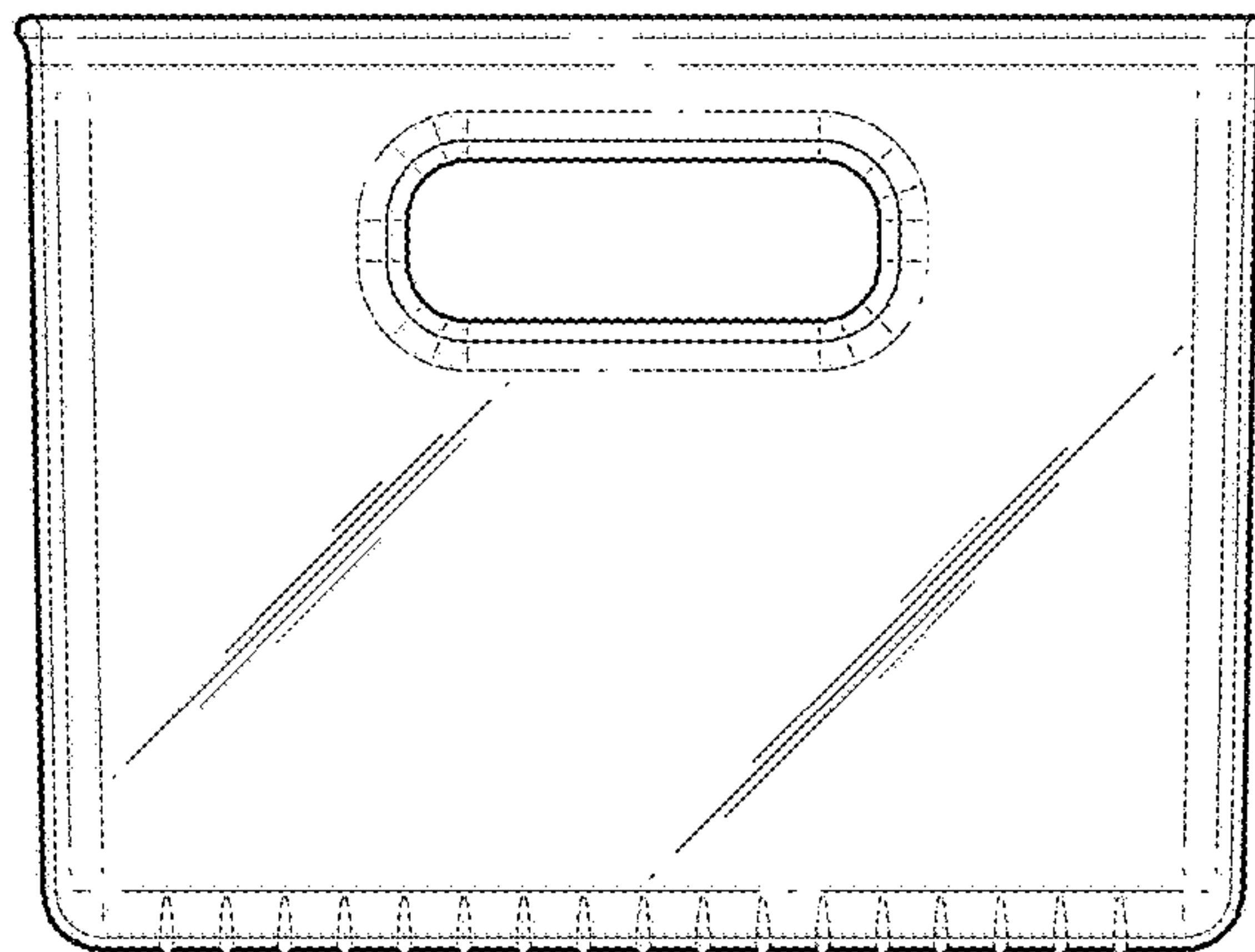


FIG. 6

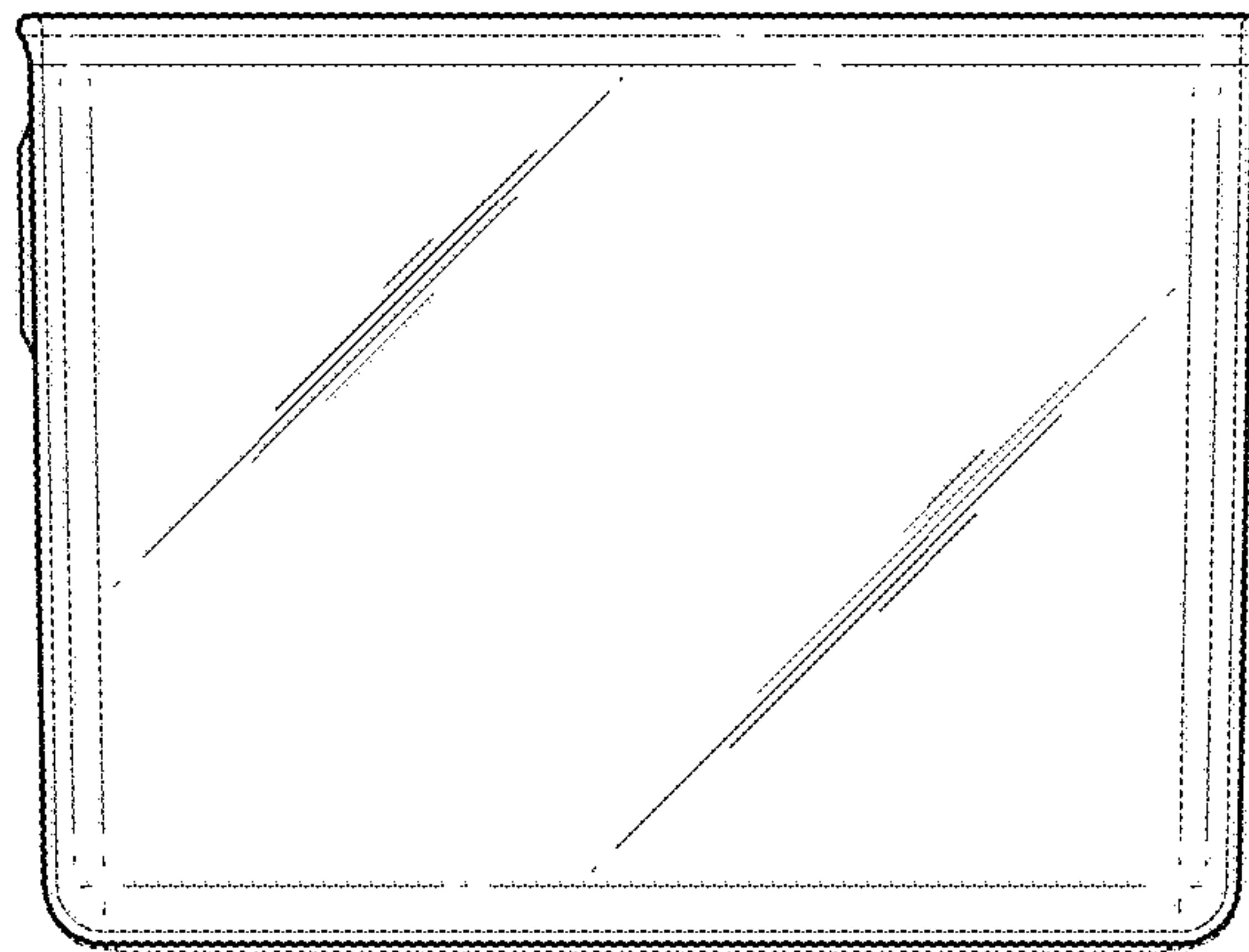


FIG. 7

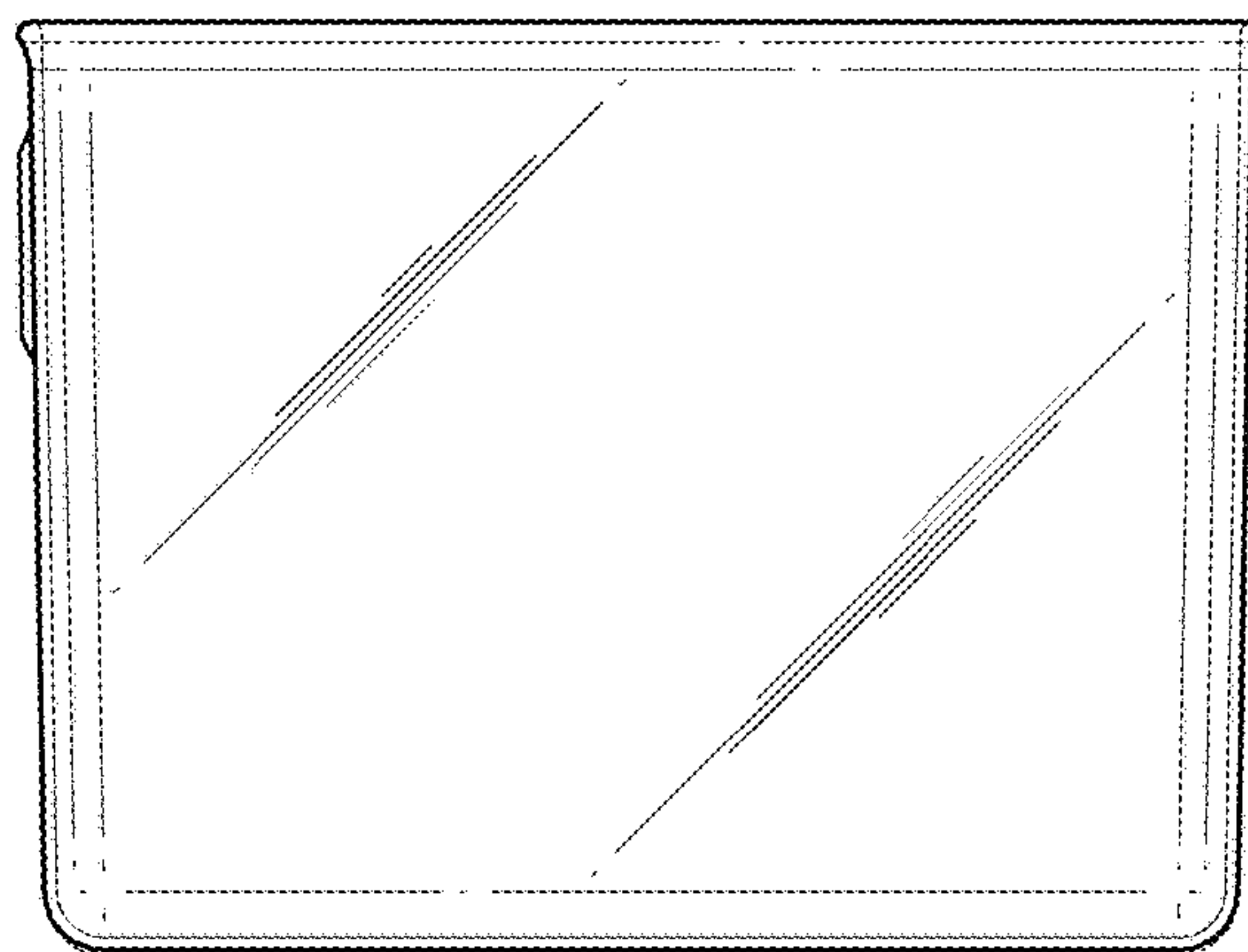


FIG. 8