



US00D842592S

(12) **United States Design Patent**
Radabaugh

(10) **Patent No.:** **US D842,592 S**
(45) **Date of Patent:** **** Mar. 12, 2019**

(54) **SHOE**

(71) Applicant: **Vionic Group LLC**, San Rafael, CA
(US)

(72) Inventor: **Scott Radabaugh**, Mill Valley, CA
(US)

(73) Assignee: **Vionic Group, LLC**, San Rafael, CA
(US)

(**) Term: **15 Years**

(21) Appl. No.: **29/642,026**

(22) Filed: **Mar. 27, 2018**

(51) **LOC (11) Cl.** **02-04**

(52) **U.S. Cl.**

USPC **D2/923**; D2/954

(58) **Field of Classification Search**

USPC D2/896-900, 907, 909, 919, 923-925,
D2/954, 969

CPC A43B 5/00; A43B 3/14; A43B 3/16; A43B
3/101

See application file for complete search history.

(56) **References Cited**

U.S. PATENT DOCUMENTS

D323,922 S * 2/1992 Emmert D2/924
D325,286 S * 4/1992 Biotteau D2/924

D467,061 S * 12/2002 Della Valle D2/954
D511,037 S * 11/2005 Della Valle D2/923
D602,681 S * 10/2009 Della Valle D2/896
D756,614 S * 5/2016 Weddle D2/906
D781,029 S * 3/2017 Freedman D2/908
D784,663 S * 4/2017 Freedman D2/908
D822,962 S * 7/2018 Ringdal D2/923

* cited by examiner

Primary Examiner — Rashida C. Walshon

(74) *Attorney, Agent, or Firm* — Reed Smith LLP; Nina
Habib Borders

(57) **CLAIM**

The ornamental design for the shoe, as shown and described.

DESCRIPTION

FIG. 1 is a top perspective view of my ornamental design for
a shoe;

FIG. 2 is a left side elevation view thereof;

FIG. 3 is a right side elevation view thereof;

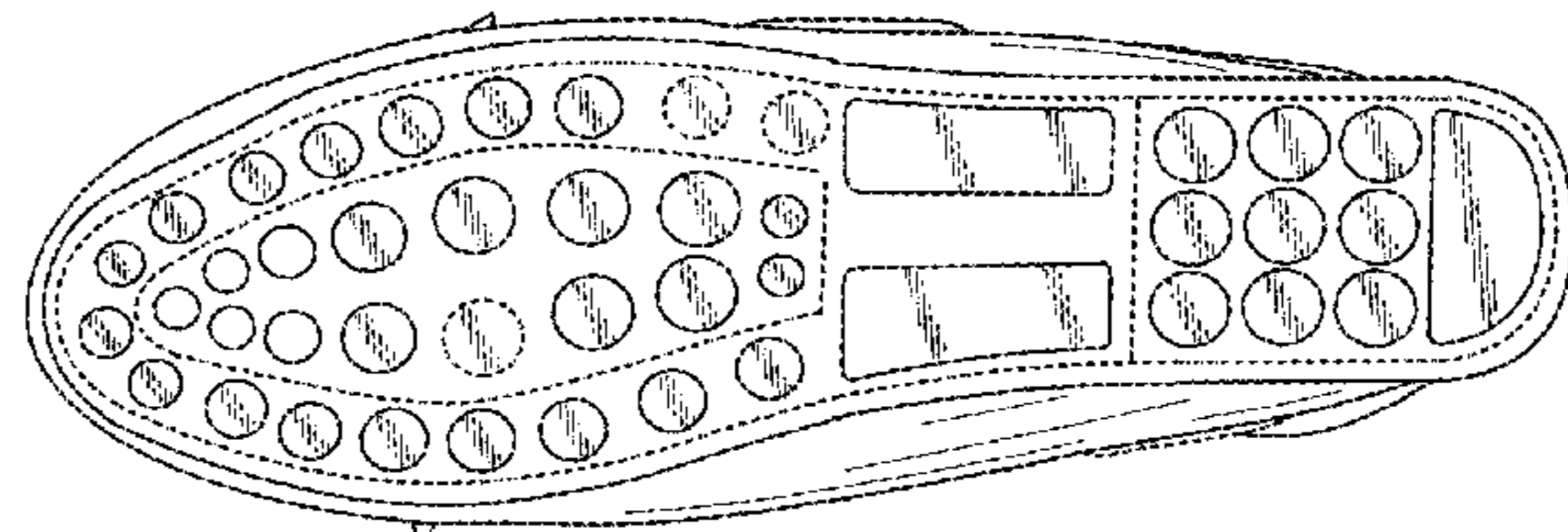
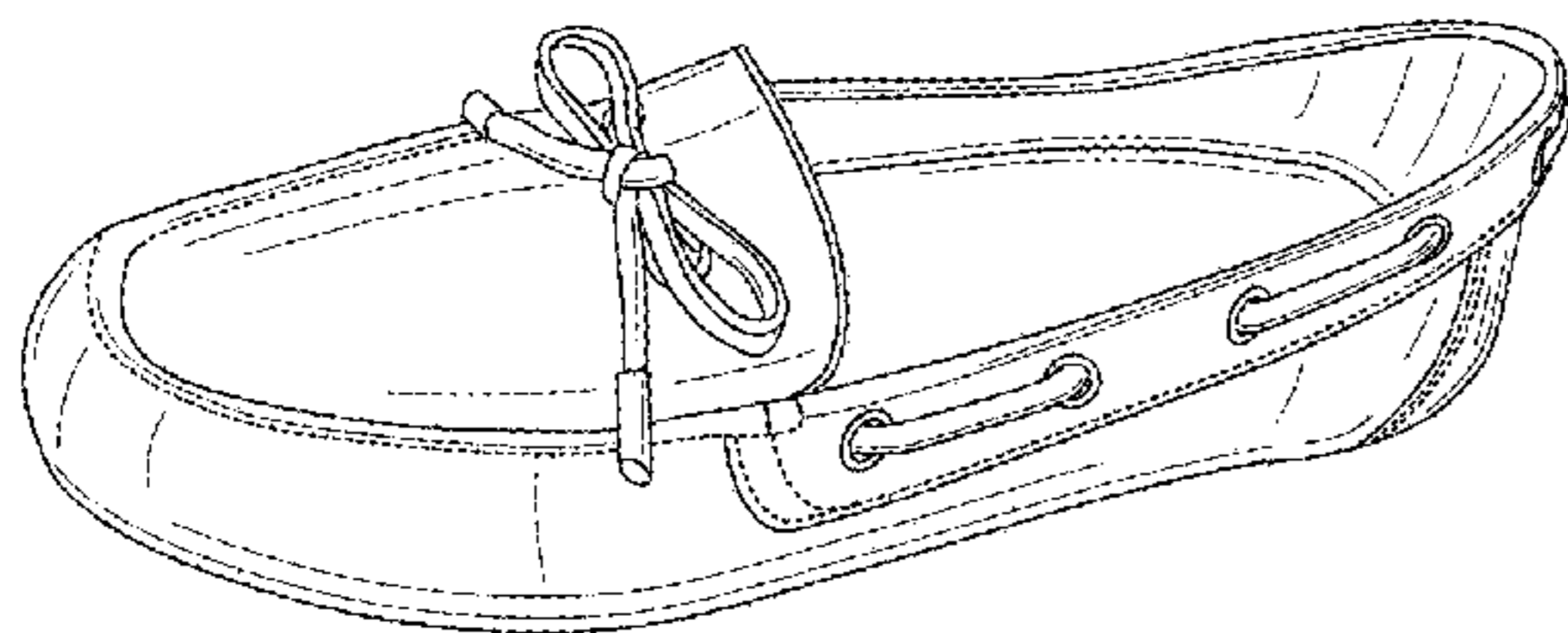
FIG. 4 is a top plan view thereof;

FIG. 5 is a bottom plan view thereof;

FIG. 6 is a front elevational view thereof; and,

FIG. 7 is a rear elevational view thereof.

1 Claim, 2 Drawing Sheets



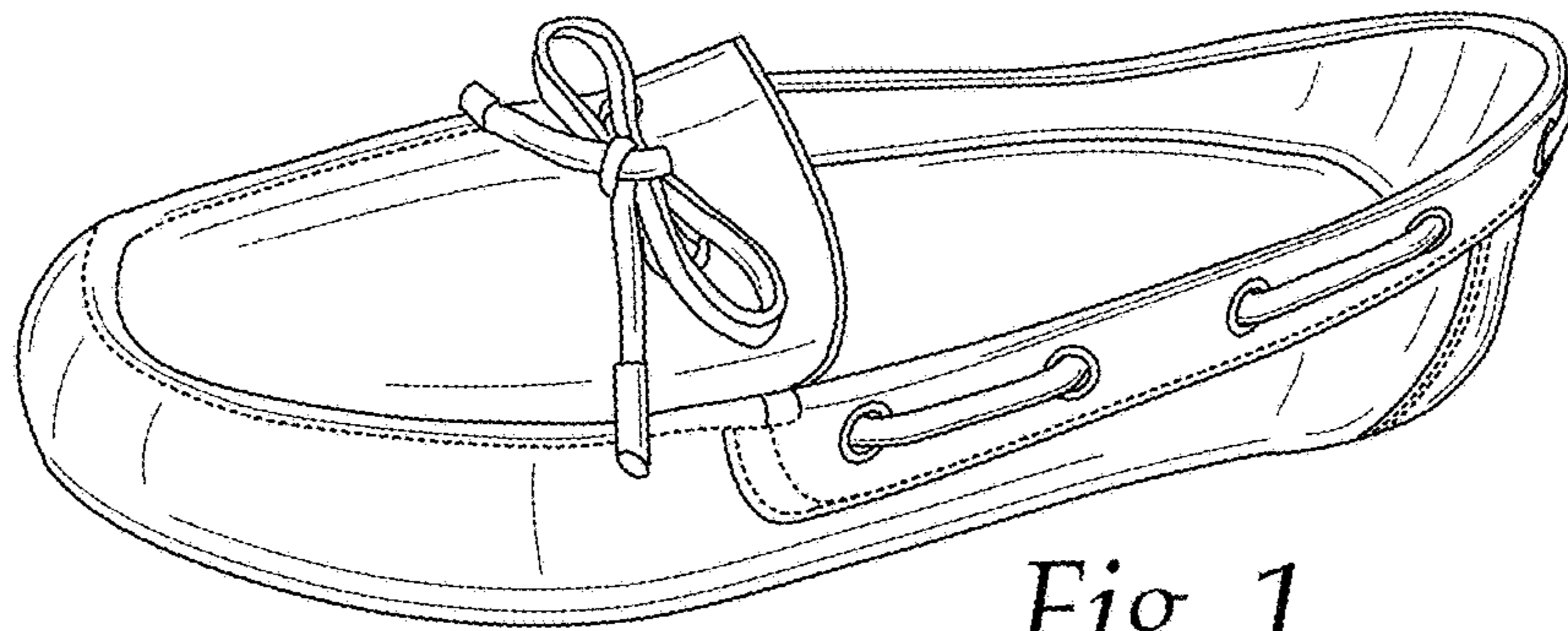


Fig. 1

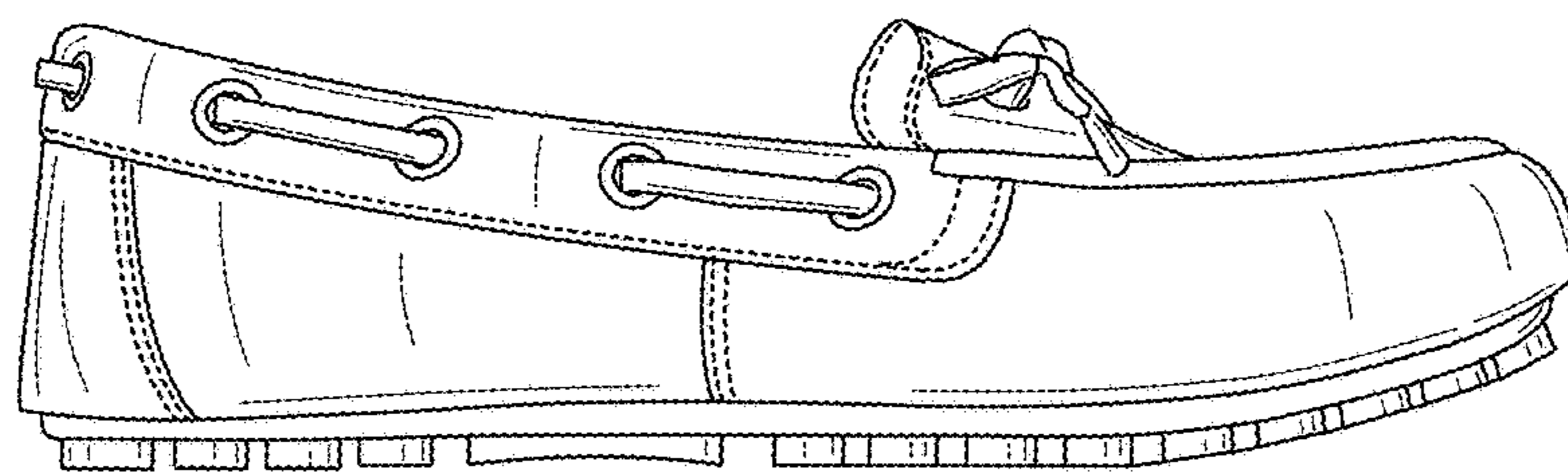


Fig. 2

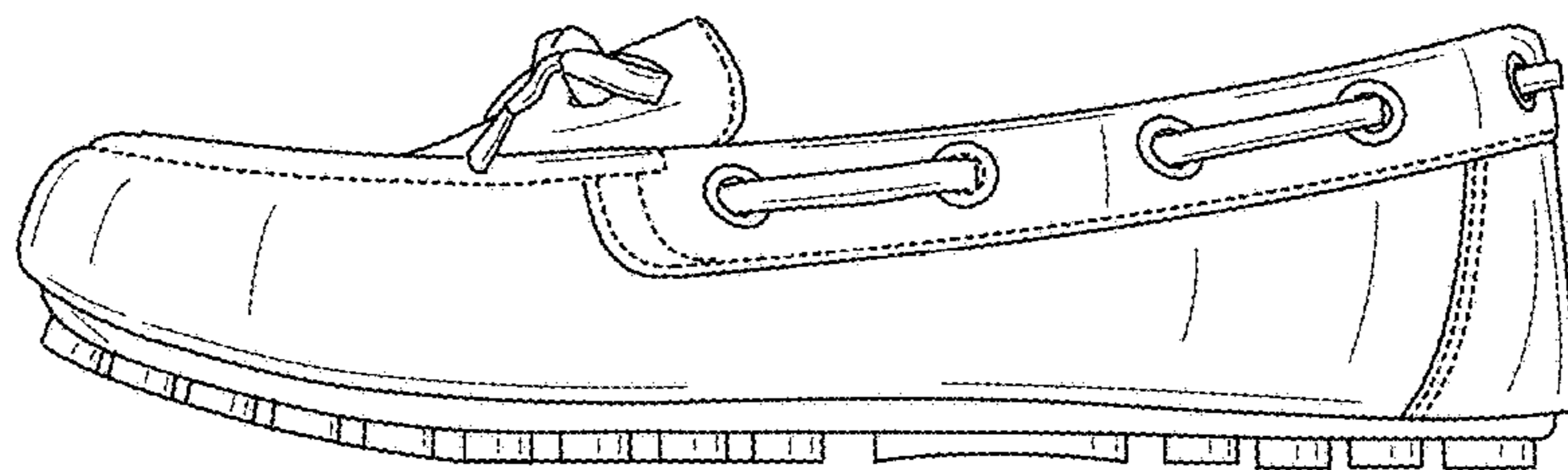


Fig. 3

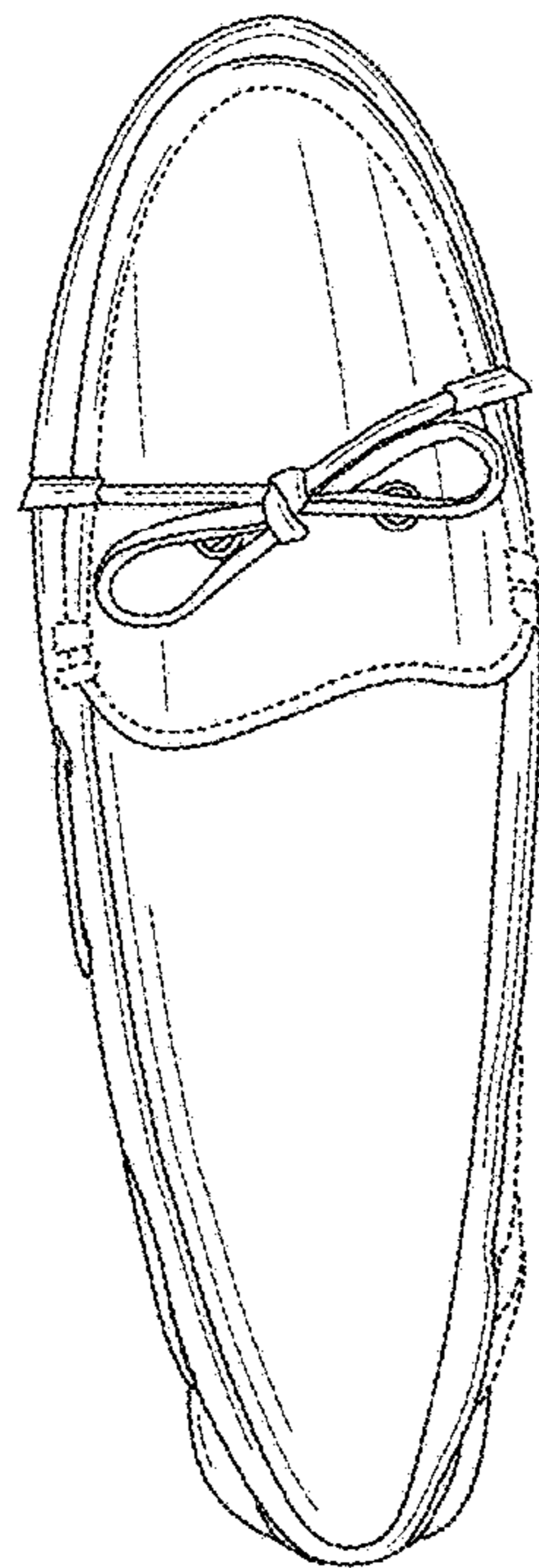


Fig. 4

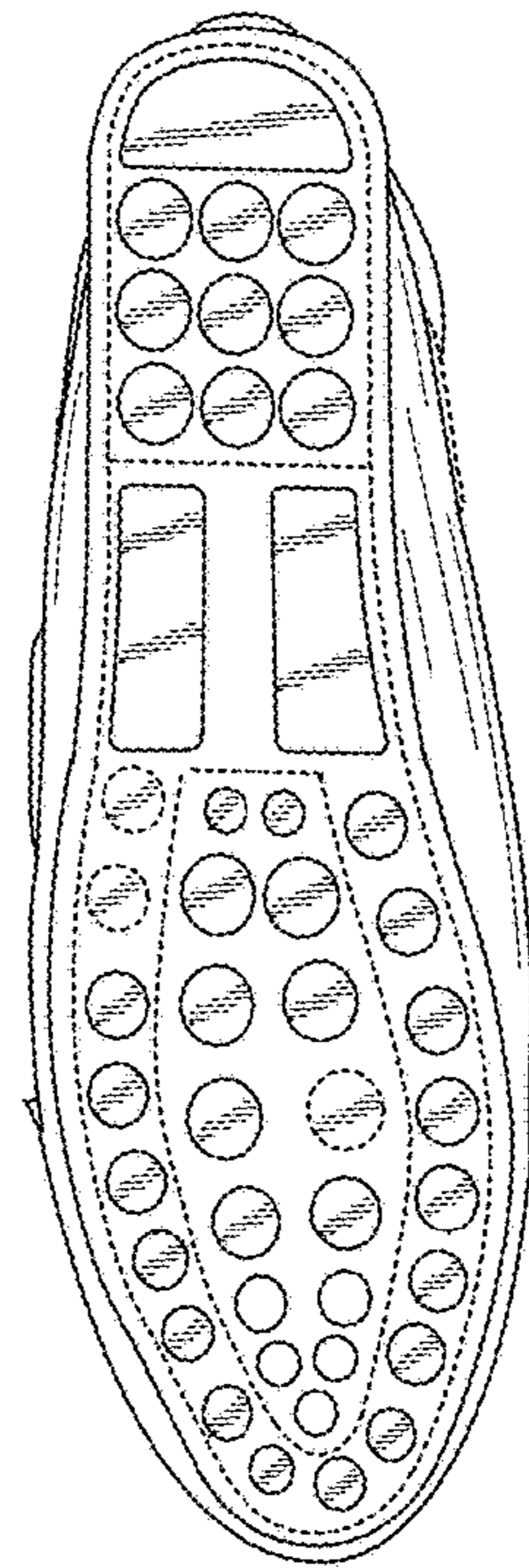


Fig. 5

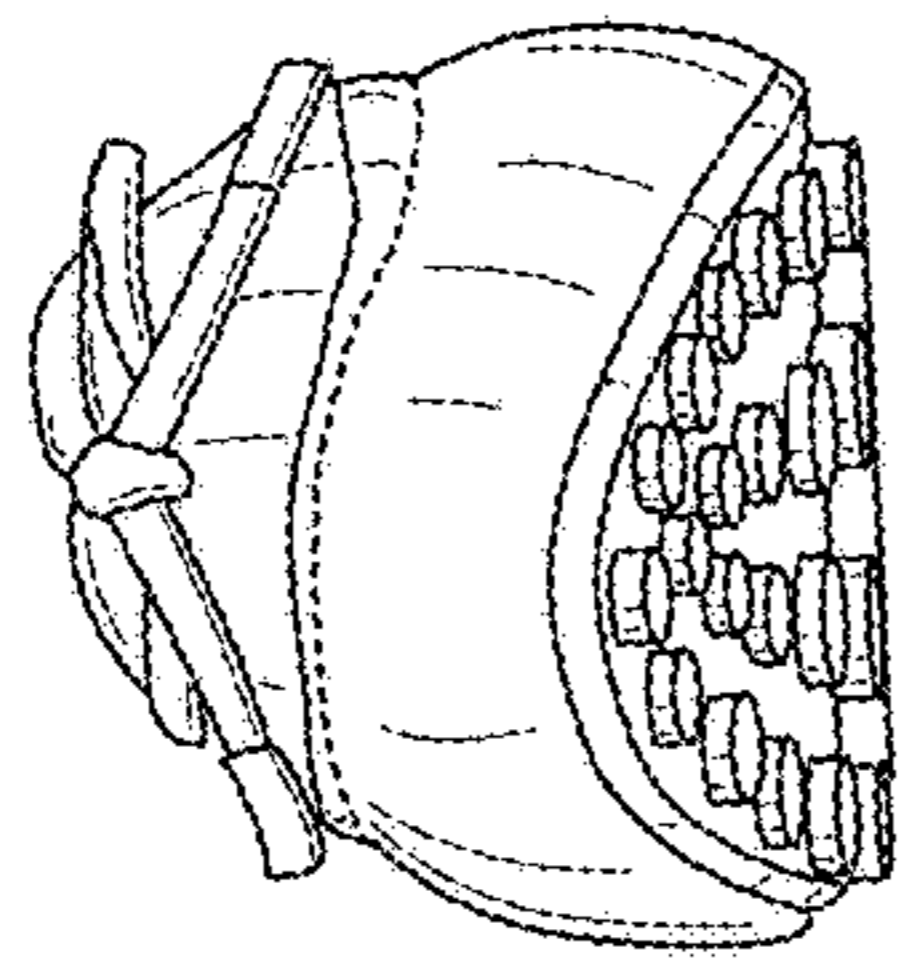


Fig. 6

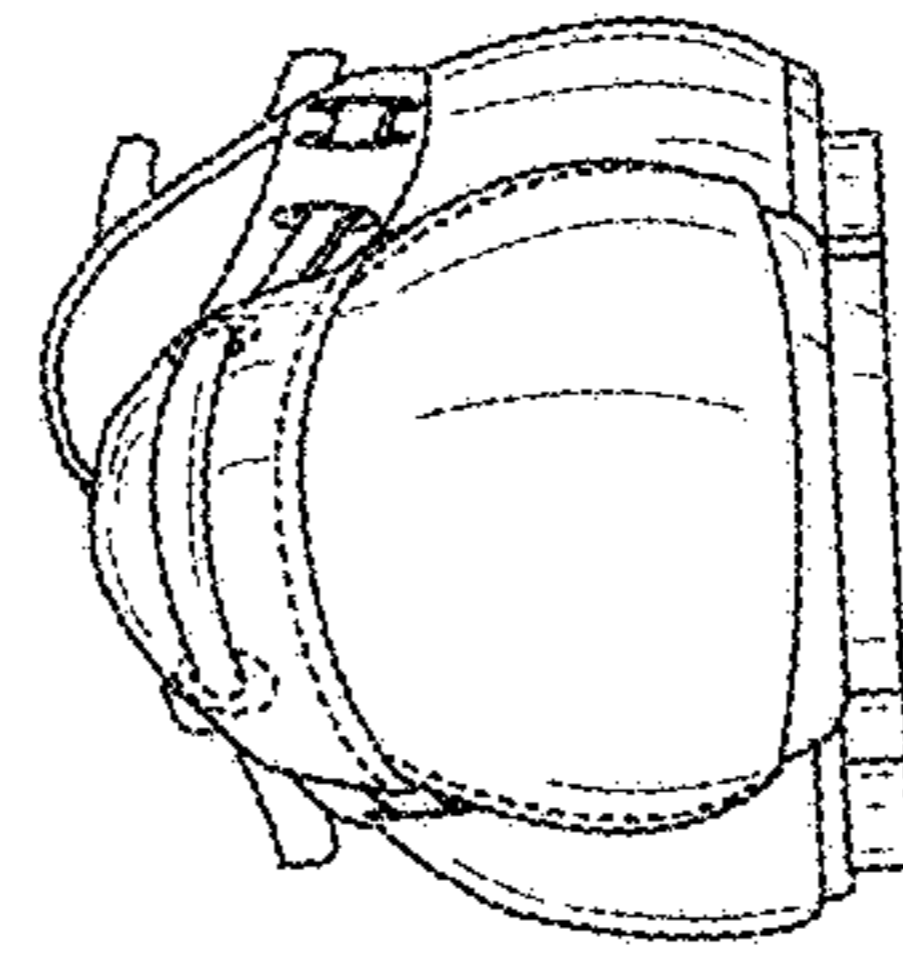


Fig. 7