

US00D842589S

(12) **United States Design Patent** (10) **Patent No.:** **US D842,589 S**
Johnson (45) **Date of Patent:** **** Mar. 12, 2019**

(54) **GARMENT WITH FRONT AND BACK ZIPPER**

D753,369 S * 4/2016 Iamartino D2/828
D783,233 S * 4/2017 Steel D2/831
D787,160 S * 5/2017 Crowe D2/750
D808,128 S * 1/2018 Blanchard D2/828
2013/0042383 A1* 2/2013 Ryan A41D 15/00
2/84

(71) Applicant: **S Jermikko Johnson**, Chicago, IL (US)

(72) Inventor: **S Jermikko Johnson**, Chicago, IL (US)

(**) Term: **15 Years**

(Continued)

(21) Appl. No.: **29/574,195**

(22) Filed: **Aug. 12, 2016**

FOREIGN PATENT DOCUMENTS

CN 202919058 U 5/2013
CN 103156310 A 6/2013

Primary Examiner — Robin V Webster

Assistant Examiner — J. Thorn, Sr.

(74) *Attorney, Agent, or Firm* — Vitale Vickrey Niro & Gasey

Related U.S. Application Data

(63) Continuation of application No. 15/134,504, filed on Apr. 21, 2016, now Pat. No. 10,028,541.

(51) **LOC (11) Cl.** **02-02**

(52) **U.S. Cl.**
USPC **D2/828**

(58) **Field of Classification Search**
USPC 2/67; D3/285; D2/731, 759–760, 831,
D2/828, 825, 750

CPC ... A41D 1/06; A41D 1/08; A41D 1/00; A41D 1/18; A41D 2300/50; A41D 2300/30; A41D 2300/322; A41D 27/24; A41D 27/10; A41D 27/20; A41D 2600/104

See application file for complete search history.

(57) **CLAIM**

I claim the hooded garment with front and back zipper, as shown and described in the Figures herein.

DESCRIPTION

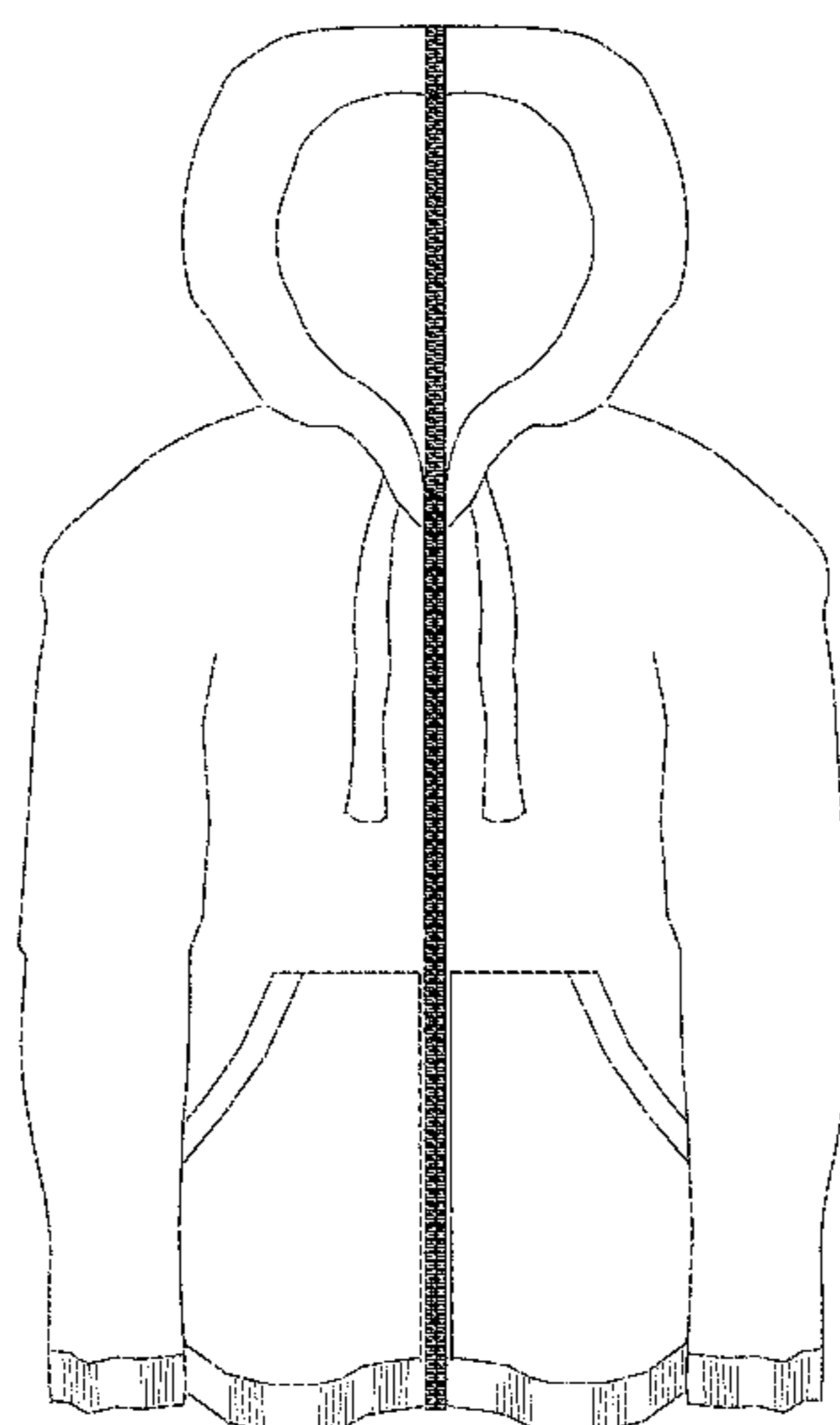
FIG. 1 is a front view of a garment with front and back zipper, showing the present invention;
FIG. 2 is a top view thereof;
FIG. 3 is a bottom view thereof;
FIG. 4 is a right side view thereof;
FIG. 5 is a left side view thereof;
FIG. 6 is a back view thereof; shown in a fully zipped configuration;
FIG. 7 is a back view thereof, shown in a partially unzipped configuration;
FIG. 8 is a front view of FIG. 1, shown fully unzipped;
FIG. 9 is a top view of FIG. 8 thereof;
FIG. 10 is a bottom view of FIG. 8 thereof;
FIG. 11 is right side view of FIG. 8 thereof;
FIG. 12 is a left side view of FIG. 8 thereof; and,
FIG. 13 is a back view of FIG. 8 thereof.

(56) **References Cited**

U.S. PATENT DOCUMENTS

D385,088 S * 10/1997 Handysides D2/828
D512,204 S * 12/2005 Thomas D2/831
D621,132 S * 8/2010 Crisp D2/831
D636,973 S * 5/2011 Smith D2/830
D653,836 S * 2/2012 Woysner D2/750
D701,368 S * 3/2014 Borovicka D2/831
D736,496 S * 8/2015 Gonzalez D2/750
D736,497 S * 8/2015 Harris D2/831
D739,646 S * 9/2015 Meguid D2/831
D741,576 S * 10/2015 Sakosits D2/833
D746,024 S * 12/2015 Albert D2/831

1 Claim, 9 Drawing Sheets



(56)

References Cited

U.S. PATENT DOCUMENTS

2013/0219581 A1* 8/2013 Schrimpf A41D 27/20
2/69
2014/0304885 A1* 10/2014 Oliver A41D 1/04
2/84
2015/0052657 A1* 2/2015 Miller A41D 13/0015
2/67

* cited by examiner

FIG. 1

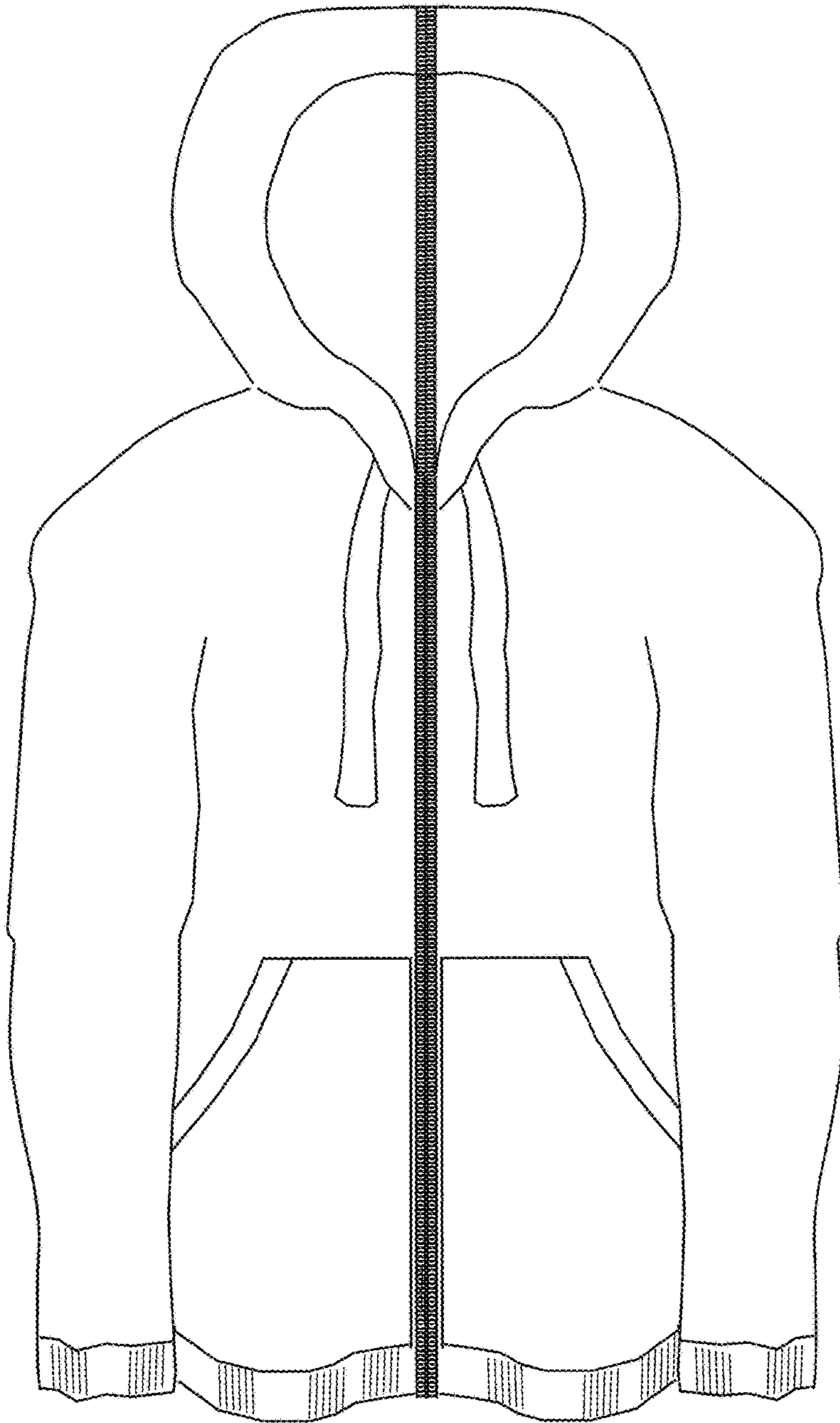


FIG. 2

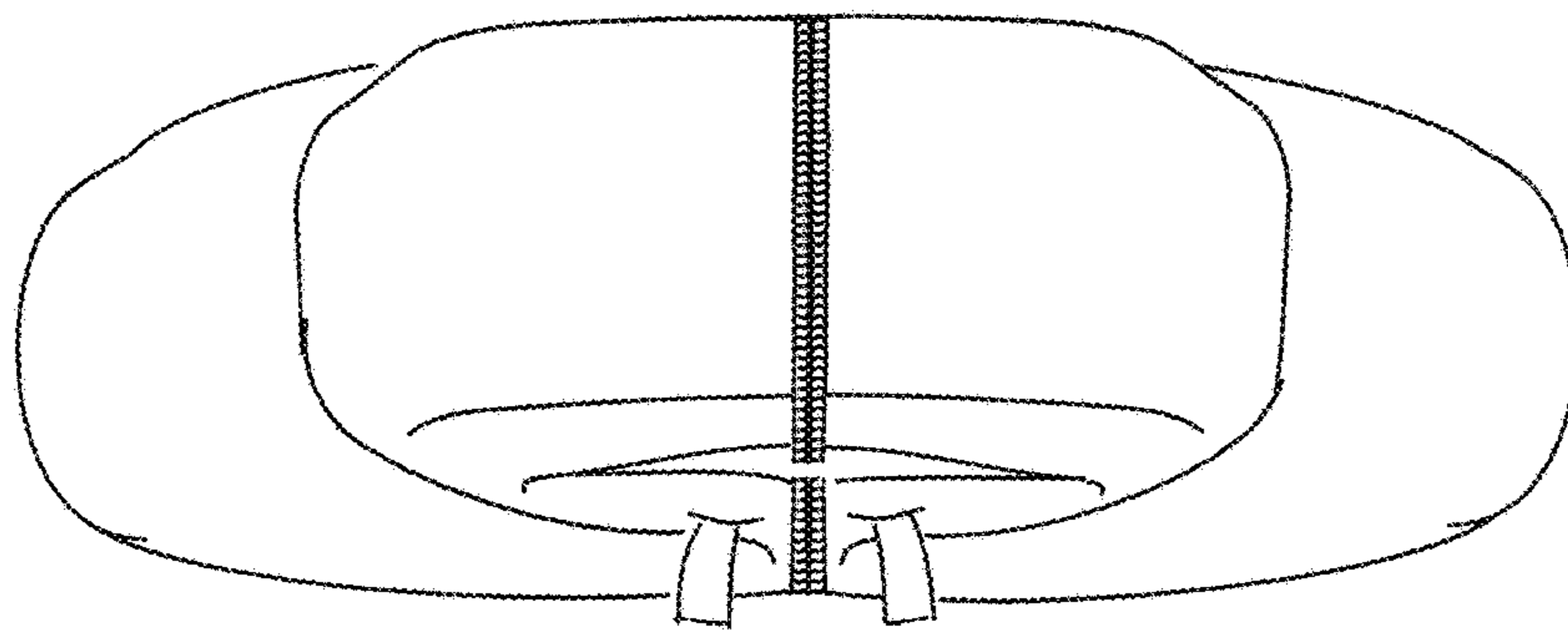


FIG. 3

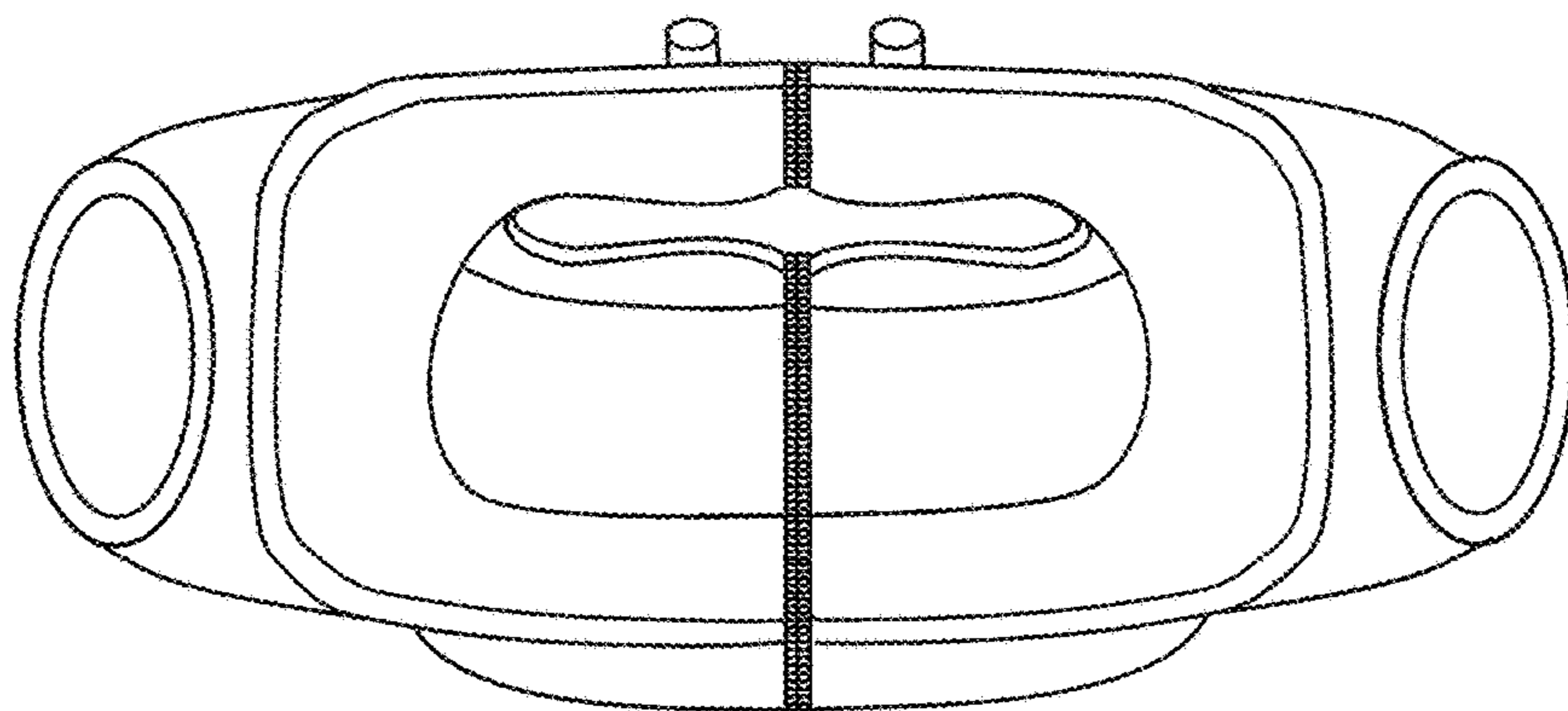


FIG. 4

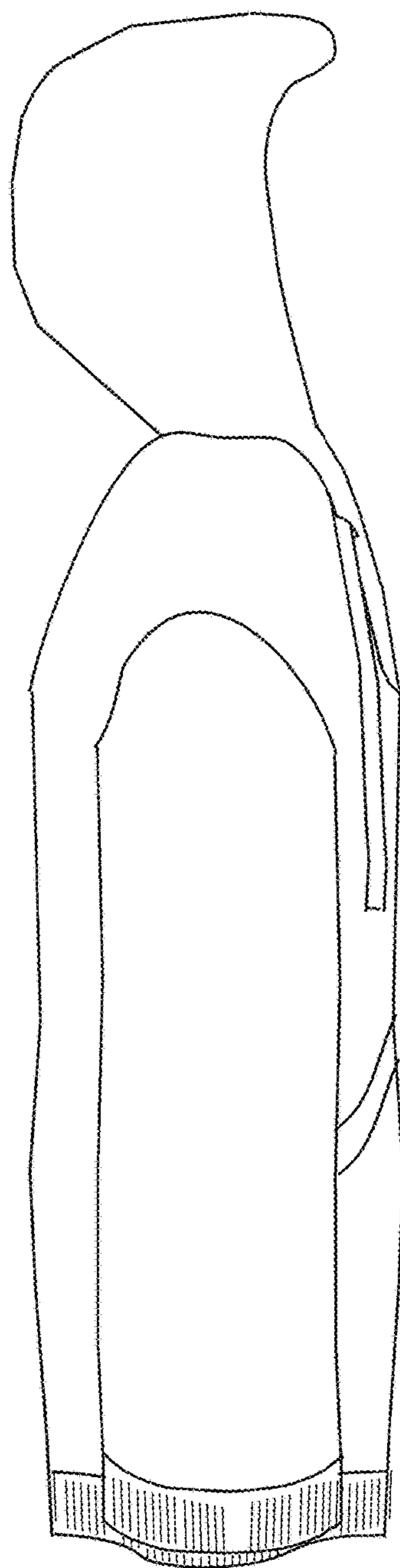


FIG. 5

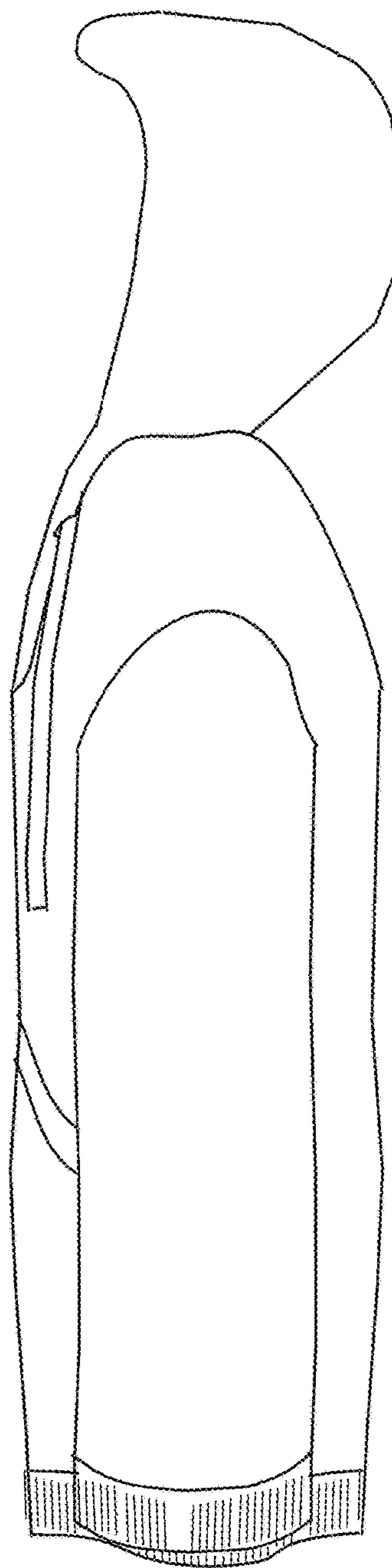


FIG. 6

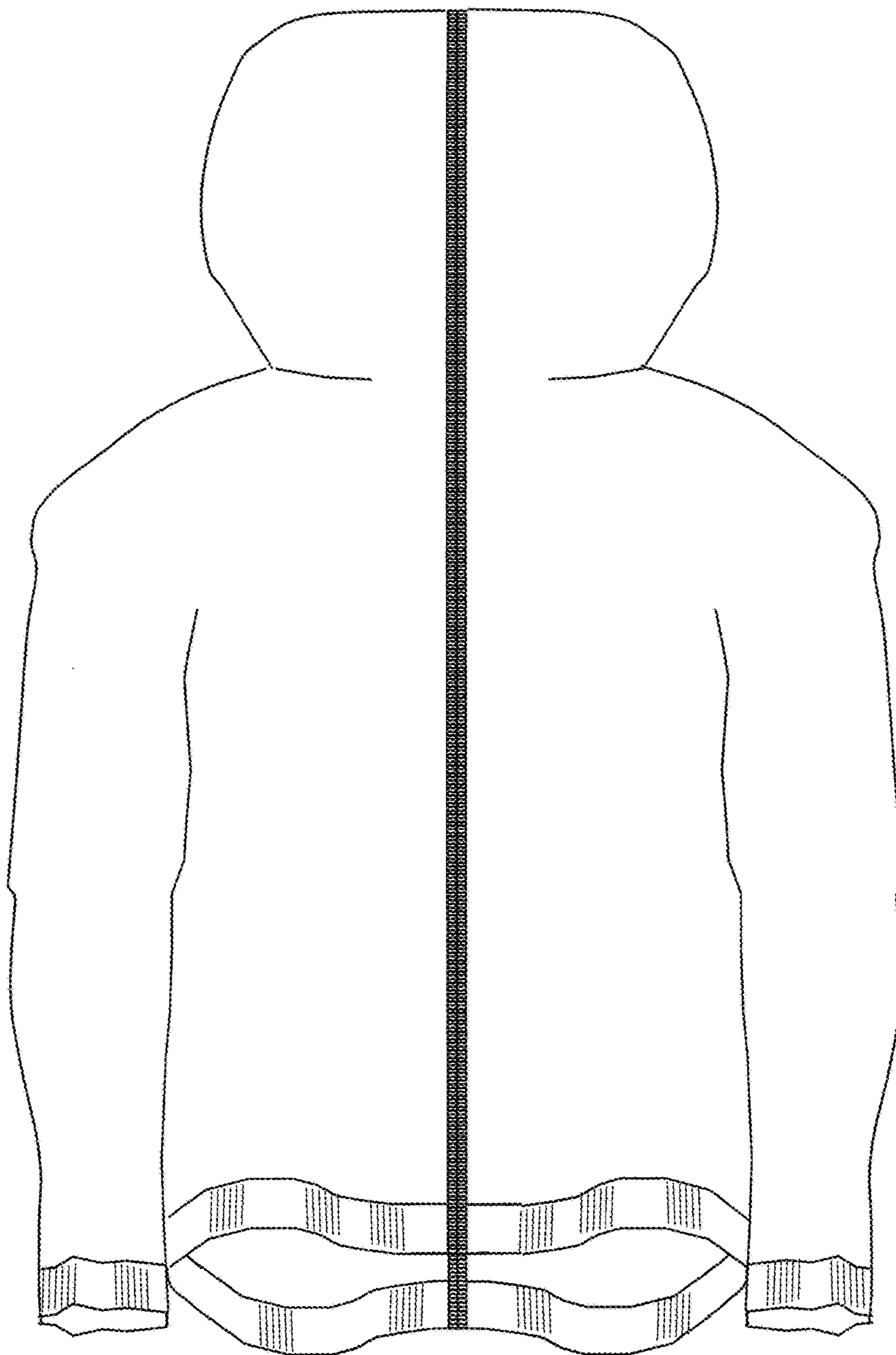


FIG. 7

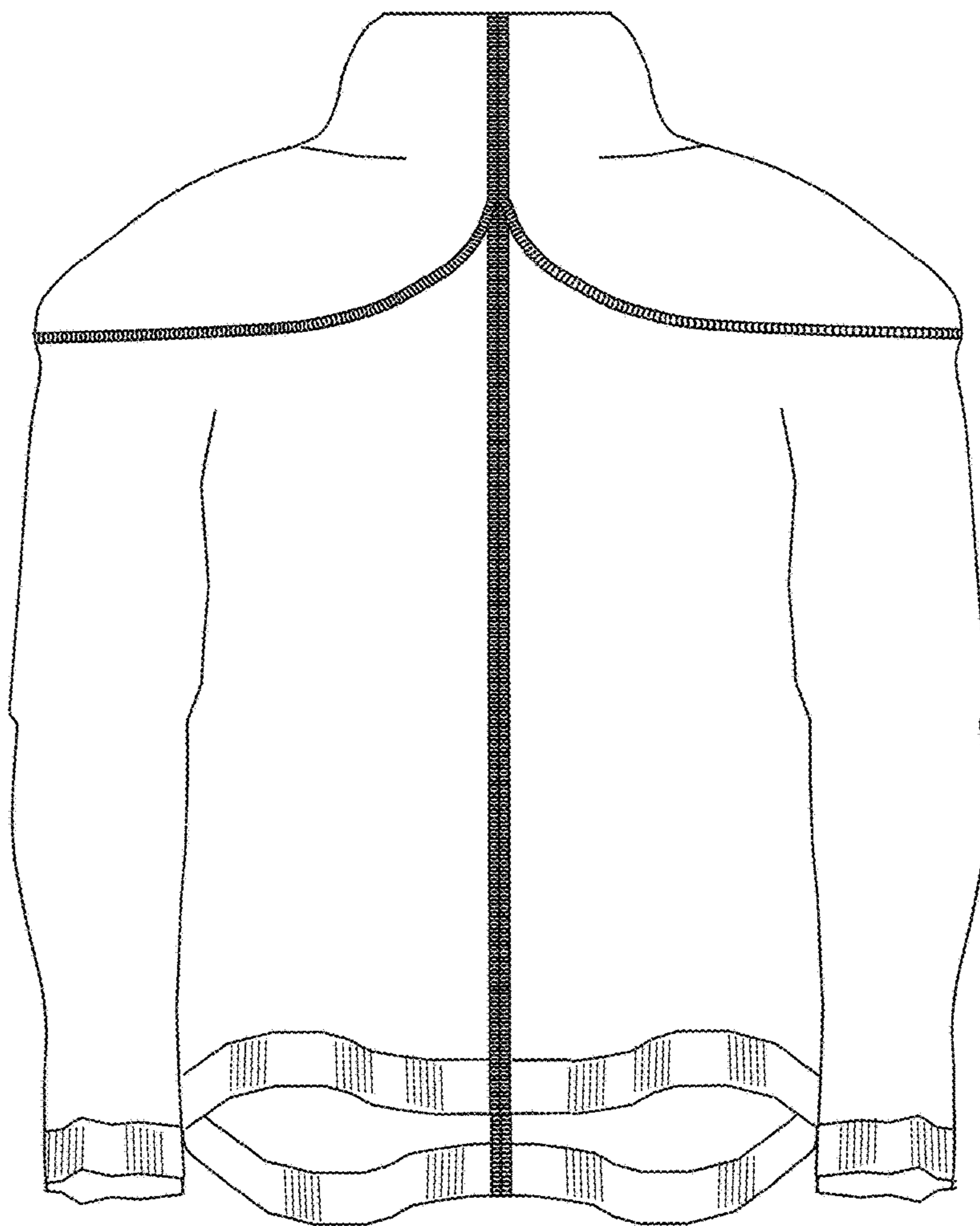


FIG. 8

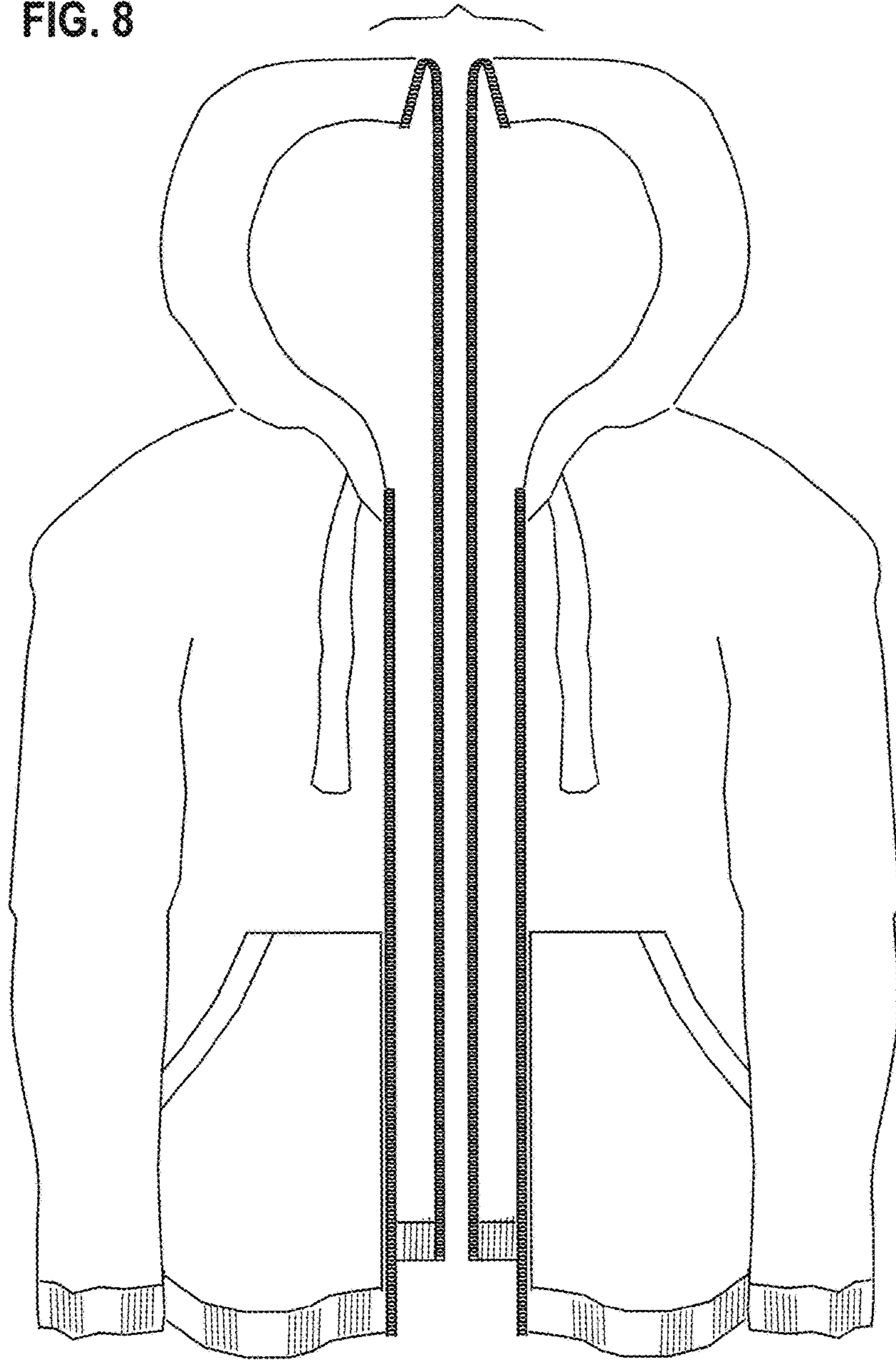


FIG. 9

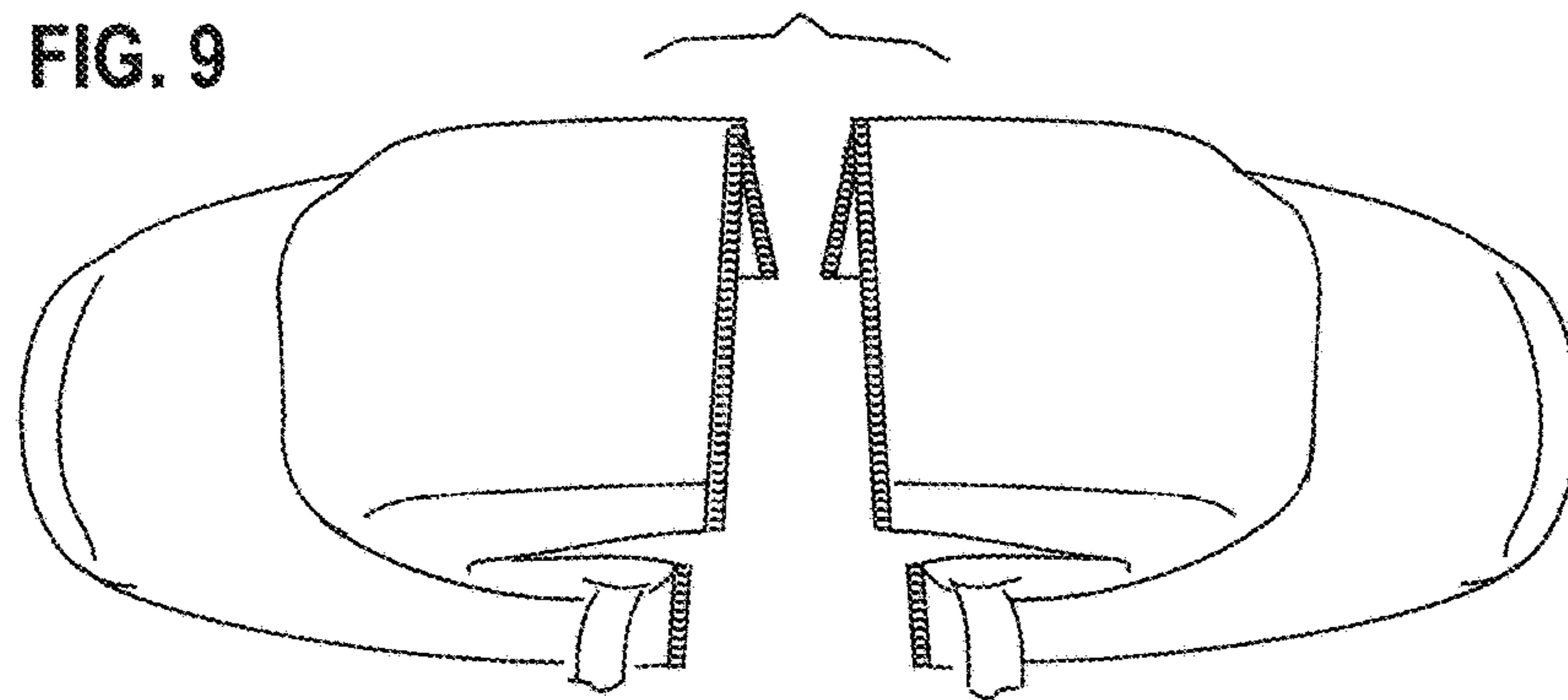


FIG. 10

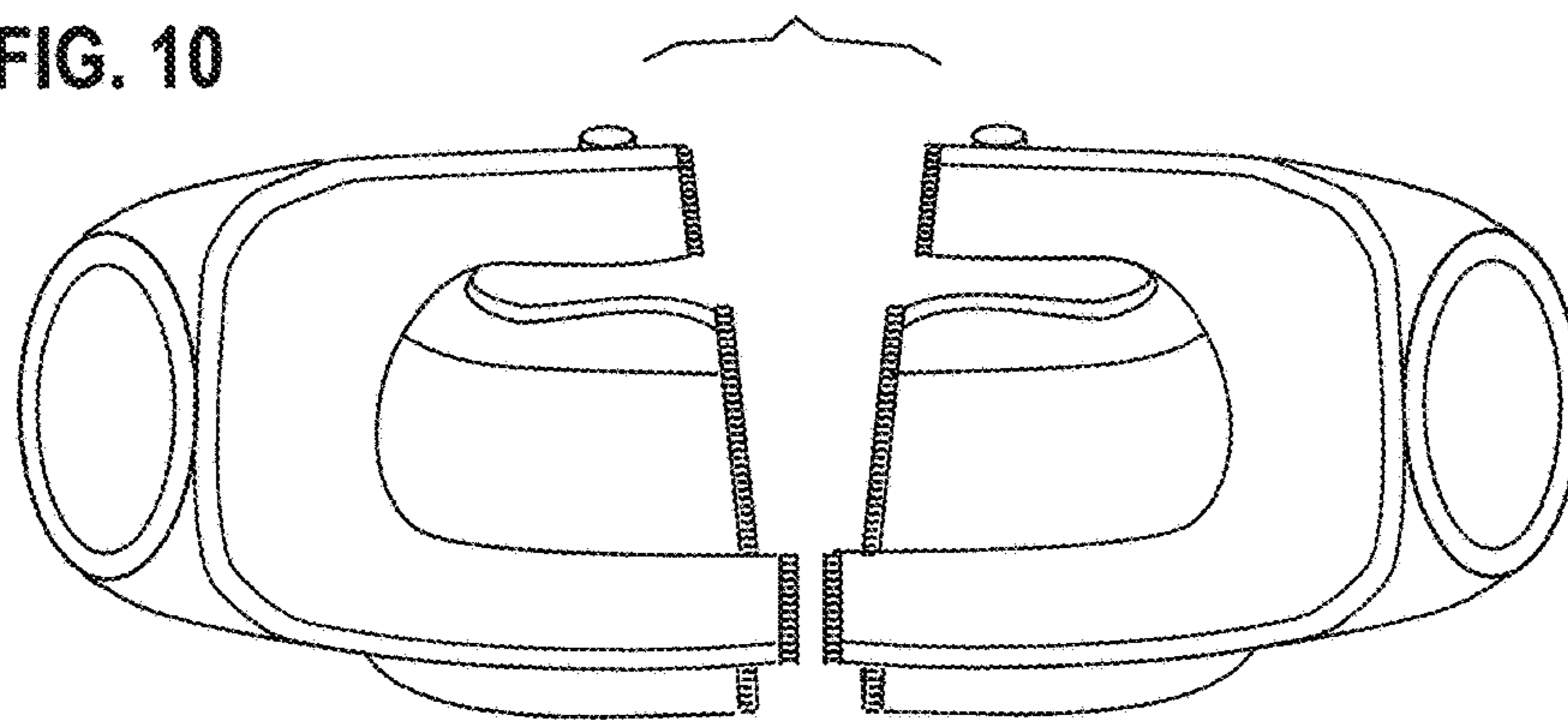


FIG. 11

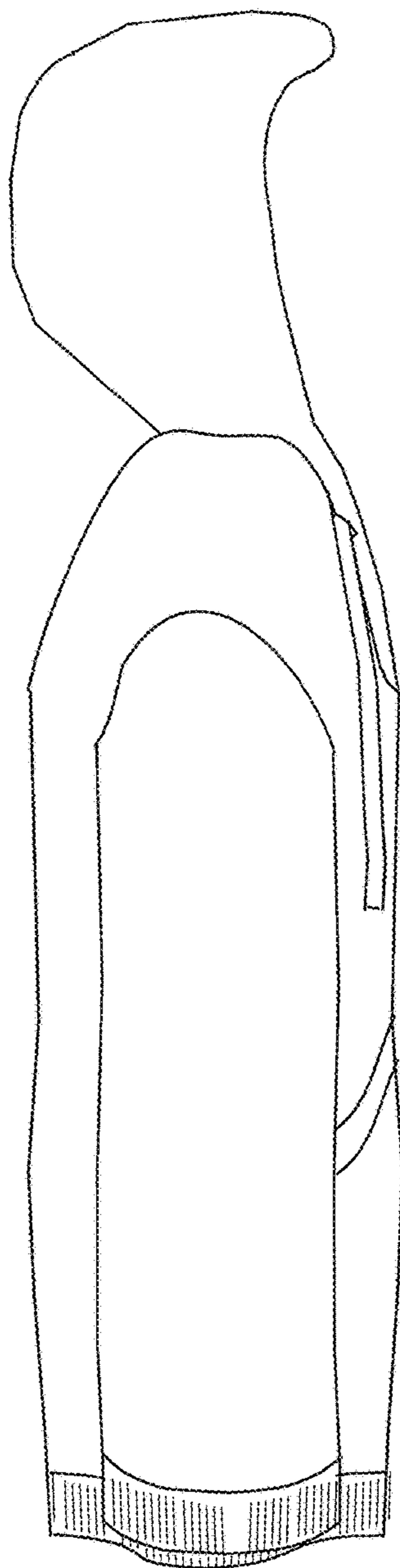


FIG. 12

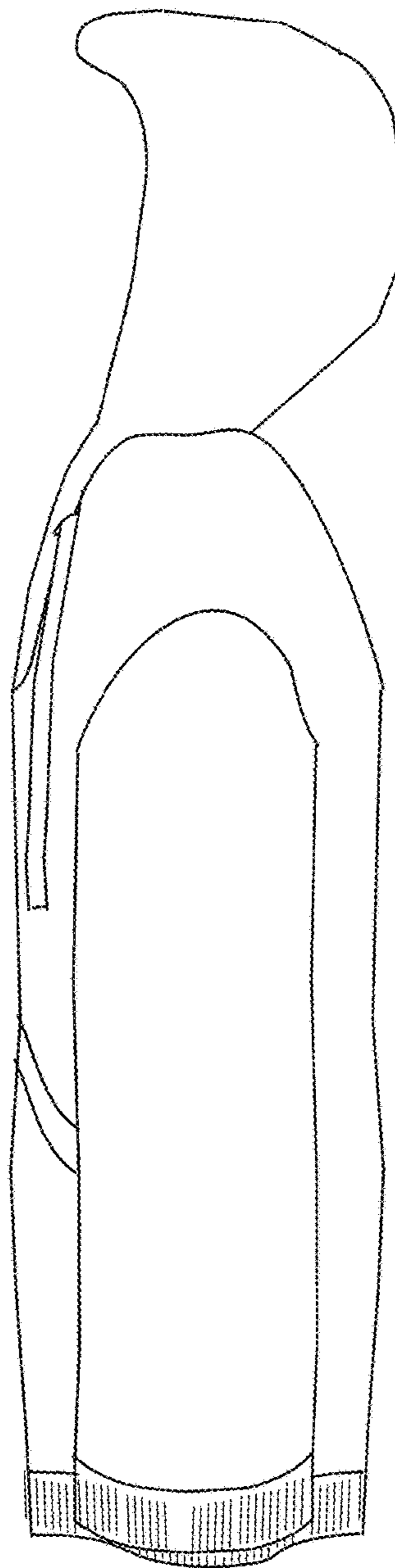


FIG. 13

