



US00D842584S

(12) **United States Design Patent**  
**Sooahoo**

(10) **Patent No.:** **US D842,584 S**  
(45) **Date of Patent:** **\*\* Mar. 12, 2019**

(54) **BRASSIERE SHOULDER STRAP ANCHOR  
UPHOLDER SUSTAINER WITH COMPRISED  
STRAP-FASTENING CLIPS**

D800,417 S \* 10/2017 Gagich ..... D2/626  
D810,403 S \* 2/2018 Grenville ..... D2/853  
2017/0164672 A1\* 6/2017 Fildan ..... A41F 1/006

\* cited by examiner

(71) Applicant: **Nora Soohoo**, Dublin, CA (US)

*Primary Examiner* — Robin V Webster

(72) Inventor: **Nora Soohoo**, Dublin, CA (US)

*Assistant Examiner* — J. Thorn, Sr.

(\*\*) Term: **15 Years**

(74) *Attorney, Agent, or Firm* — Foundation Patents;  
Richard Salles

(21) Appl. No.: **29/628,835**

(57) **CLAIM**

(22) Filed: **Dec. 7, 2017**

The ornamental design for a brassiere shoulder strap anchor upholder sustainer with comprised strap-fastening clips, as shown and described.

(51) **LOC (11) Cl.** ..... **02-01**

**DESCRIPTION**

(52) **U.S. Cl.**  
USPC ..... **D2/708; D2/706**

(58) **Field of Classification Search**  
USPC ..... D2/853, 705–706, 708, 624–626;  
D11/212, 218  
CPC . A44B 19/00; A41F 1/006; A41F 1/08; A41C  
3/00; A41C 3/12; A41C 3/122  
See application file for complete search history.

FIG. 1 is a front perspective view of brassiere shoulder strap anchor upholder sustainer with comprised strap-fastening clips;  
FIG. 2 is a rear view thereof;  
FIG. 3 is a front view thereof;  
FIG. 4 is a right side view thereof;  
FIG. 5 is a left side view thereof;  
FIG. 6 is a top plan view thereof;  
FIG. 7 is a bottom plan view thereof;  
FIG. 8 is a rear perspective view of the adjustable fastener shown separately;  
FIG. 9 is a front view thereof;  
FIG. 10 is a left side view thereof;  
FIG. 11 is a rear side view thereof;  
FIG. 12 is a top plan view thereof; and,  
FIG. 13 is a bottom plan view.

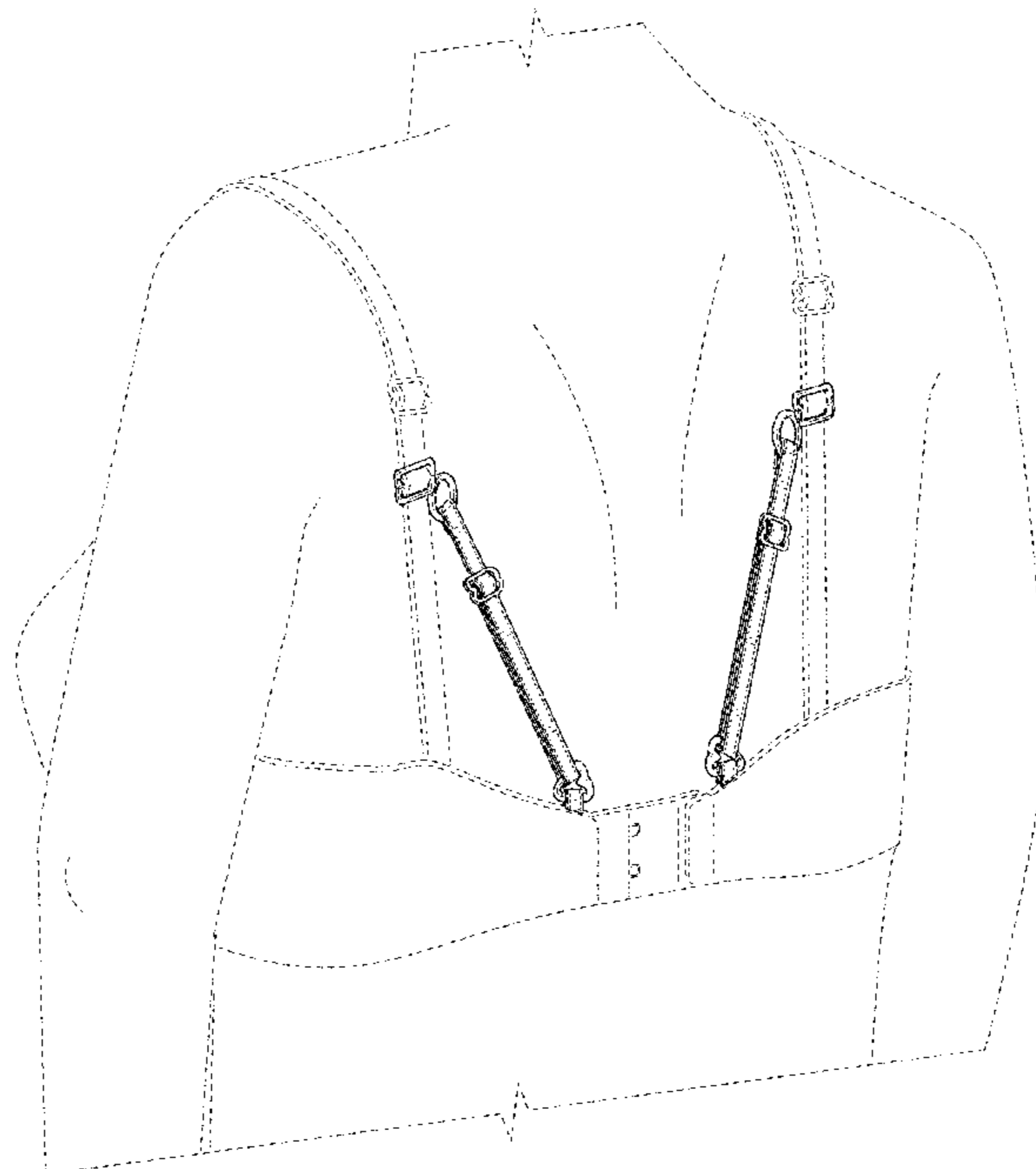
(56) **References Cited**

**U.S. PATENT DOCUMENTS**

6,179,687 B1 \* 1/2001 Lee ..... A41F 1/006  
2/67  
D519,261 S \* 4/2006 Reis ..... D11/200  
D587,433 S \* 3/2009 Ratcliff ..... D11/16  
D619,781 S \* 7/2010 Beaulieu ..... D2/706  
D631,638 S \* 2/2011 Jones ..... D2/706  
D632,608 S \* 2/2011 Corrado ..... D11/208  
D737,541 S \* 9/2015 Morin ..... D2/708  
D748,892 S \* 2/2016 Yegge-Schreiber ..... D2/625  
D767,248 S \* 9/2016 Rogers ..... D2/624  
D786,735 S \* 5/2017 Koreishi ..... D11/218  
D793,671 S \* 8/2017 Grenville ..... D2/853

The broken lines shown in the drawings are included for the purpose of illustrating environmental structure and form no part of the claimed design.

**1 Claim, 6 Drawing Sheets**



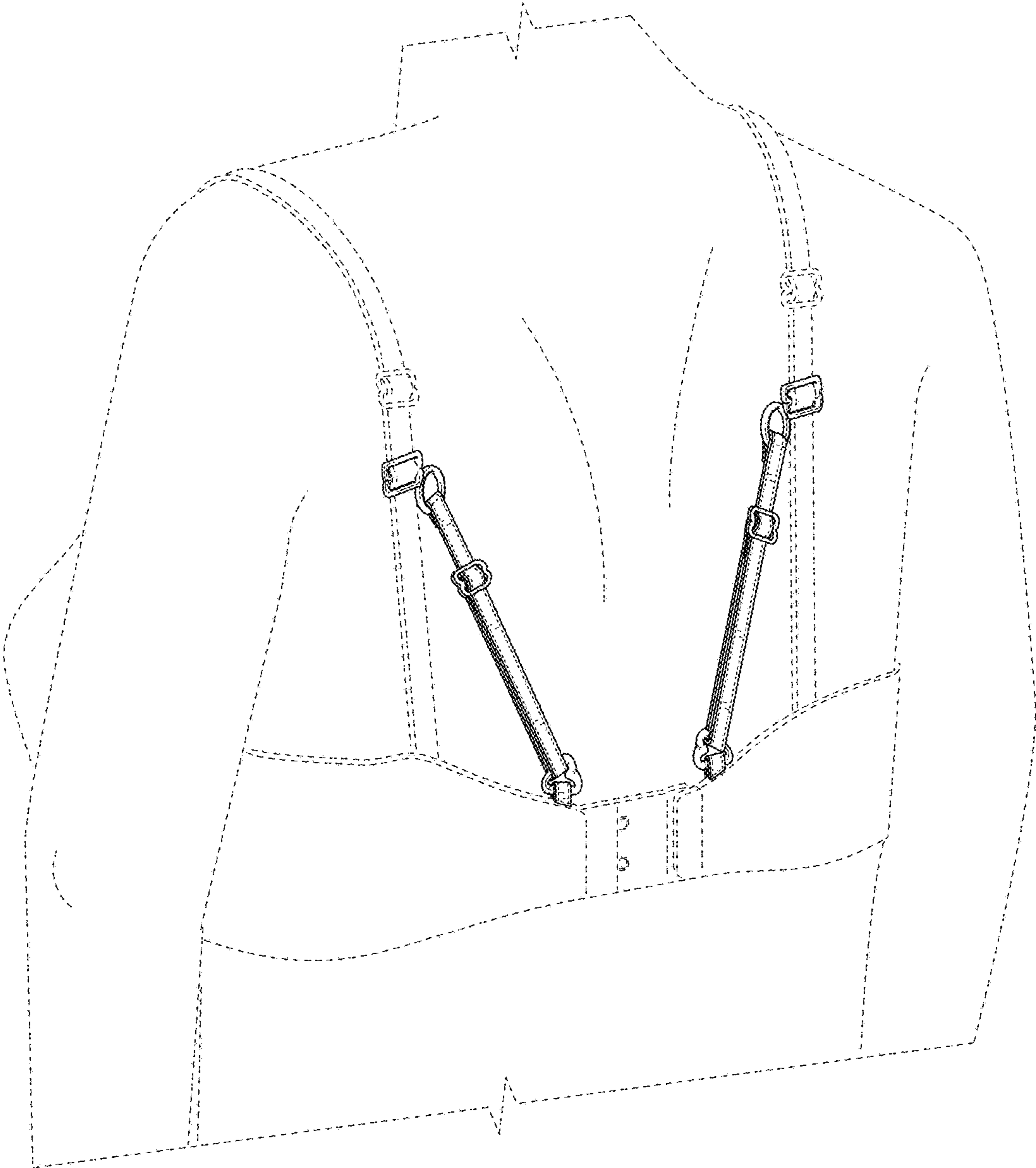


FIG. 1

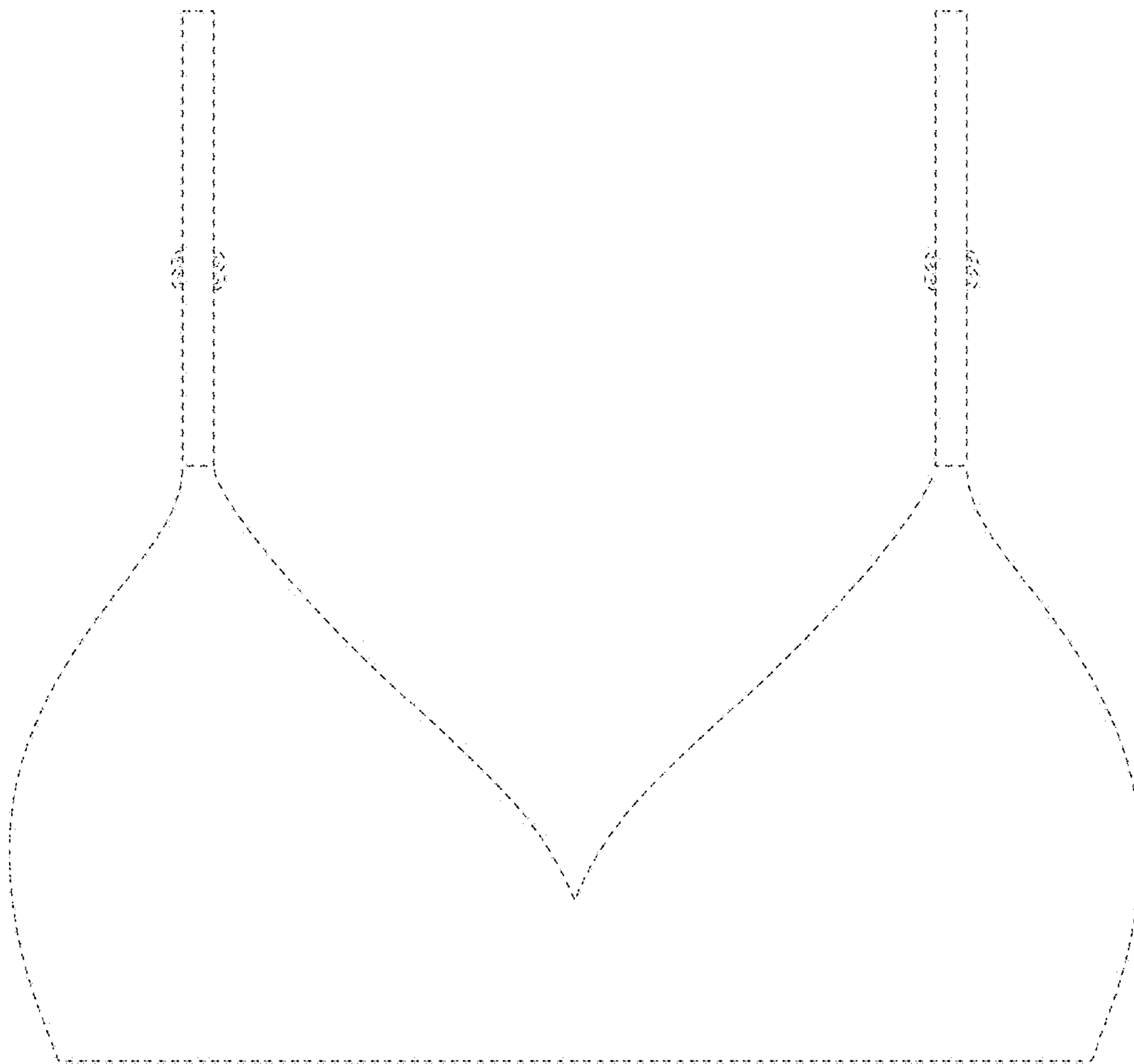


FIG. 2

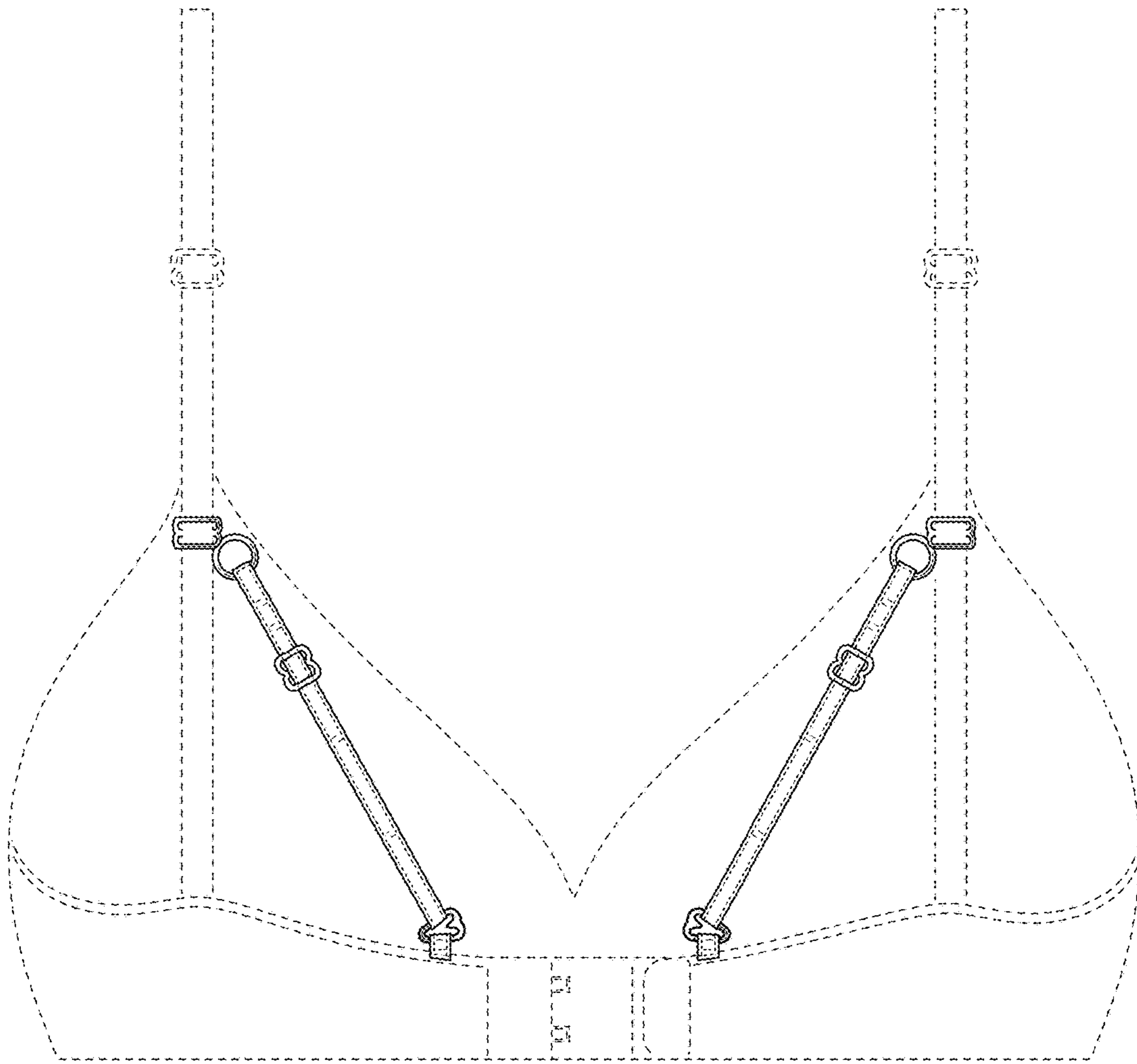


FIG. 3

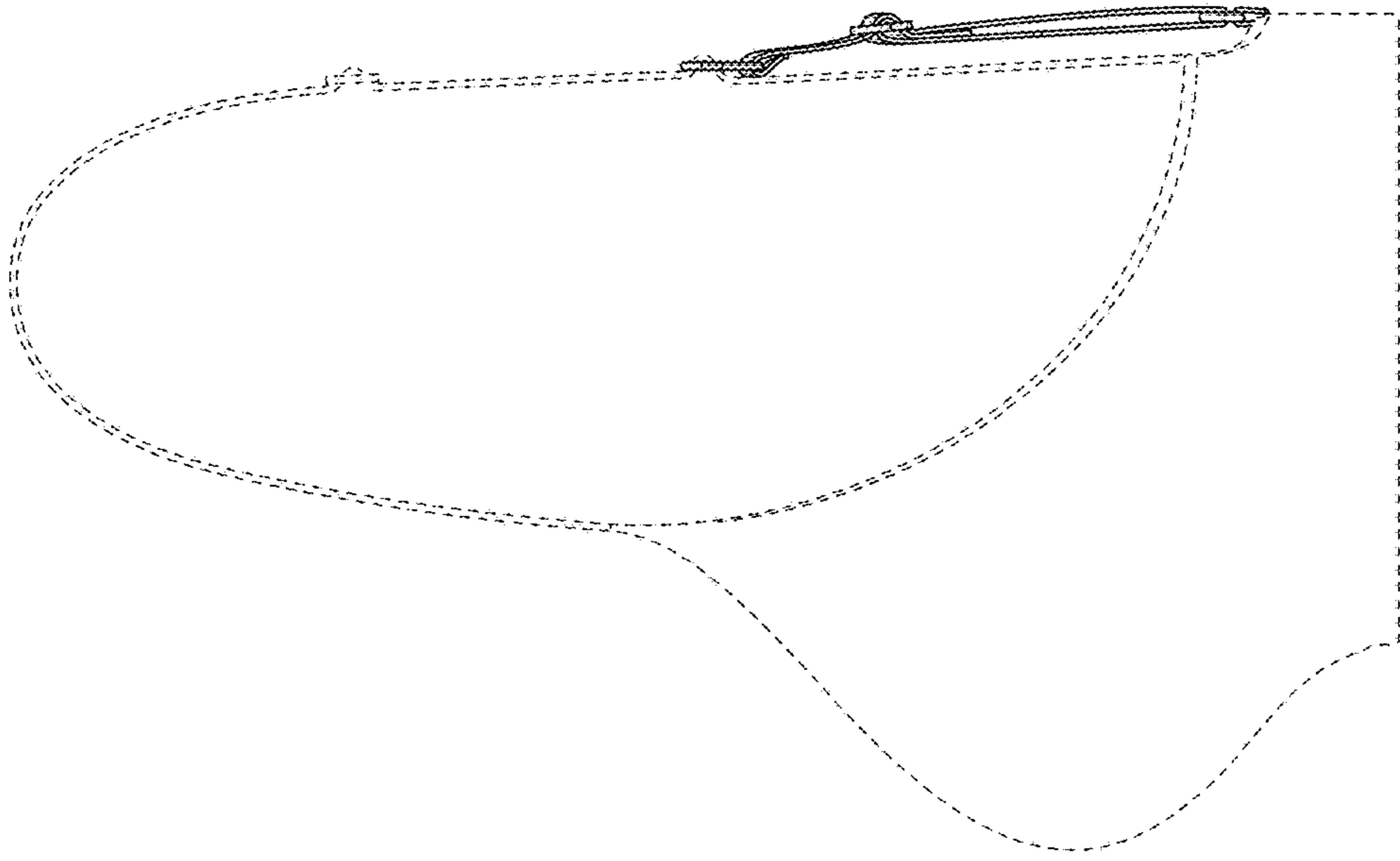


FIG. 5



FIG. 4

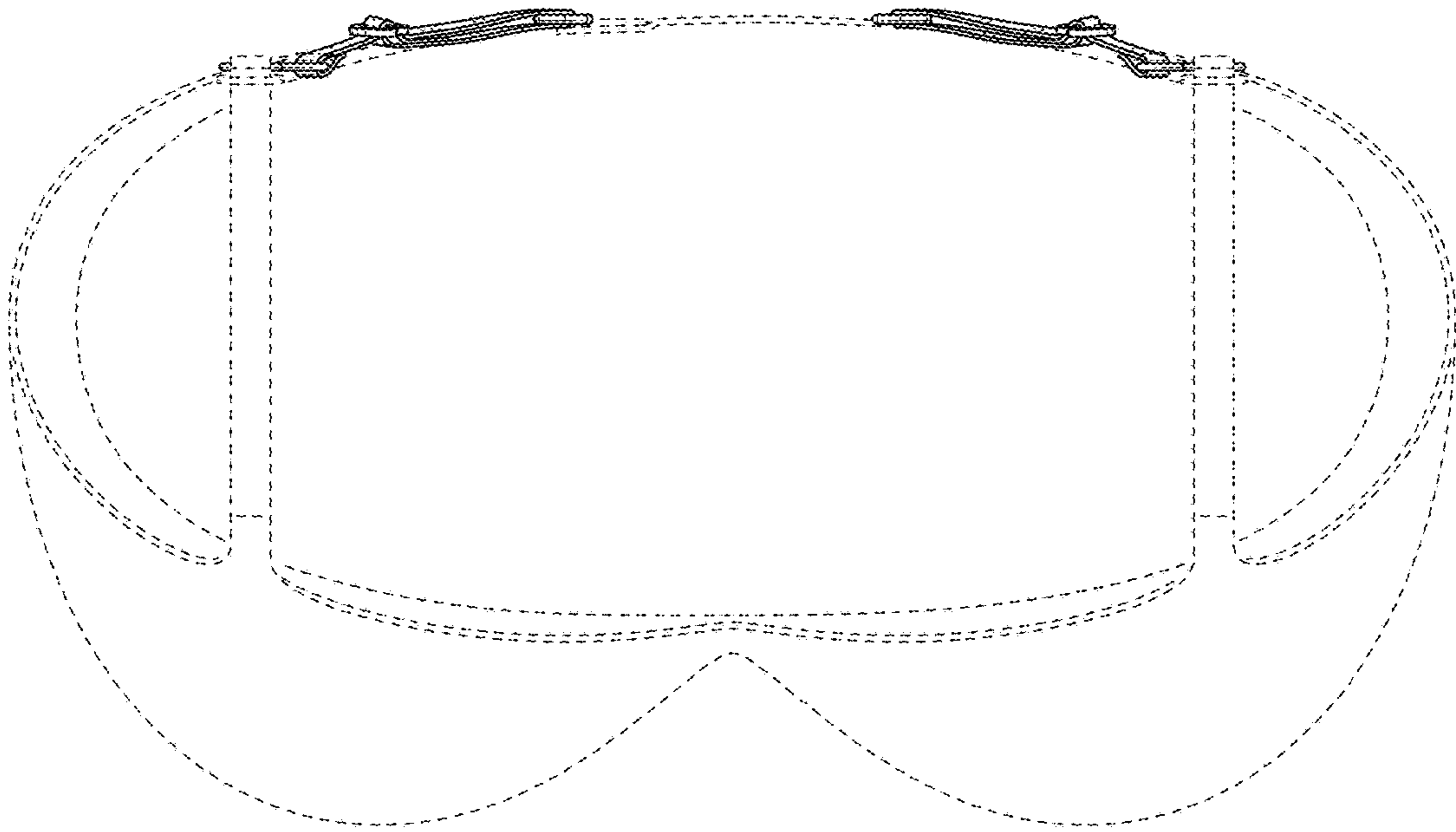


FIG. 6

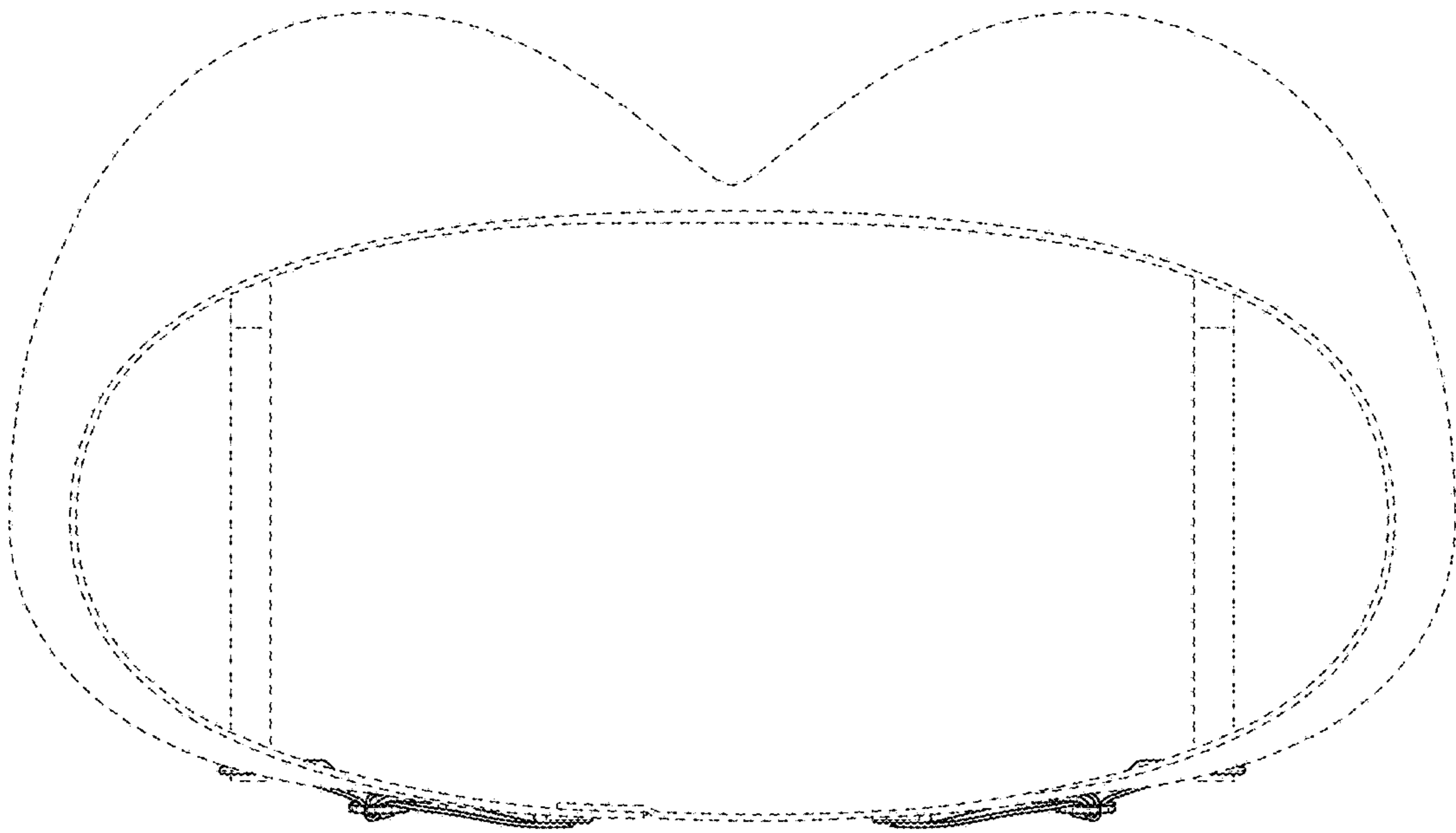


FIG. 7

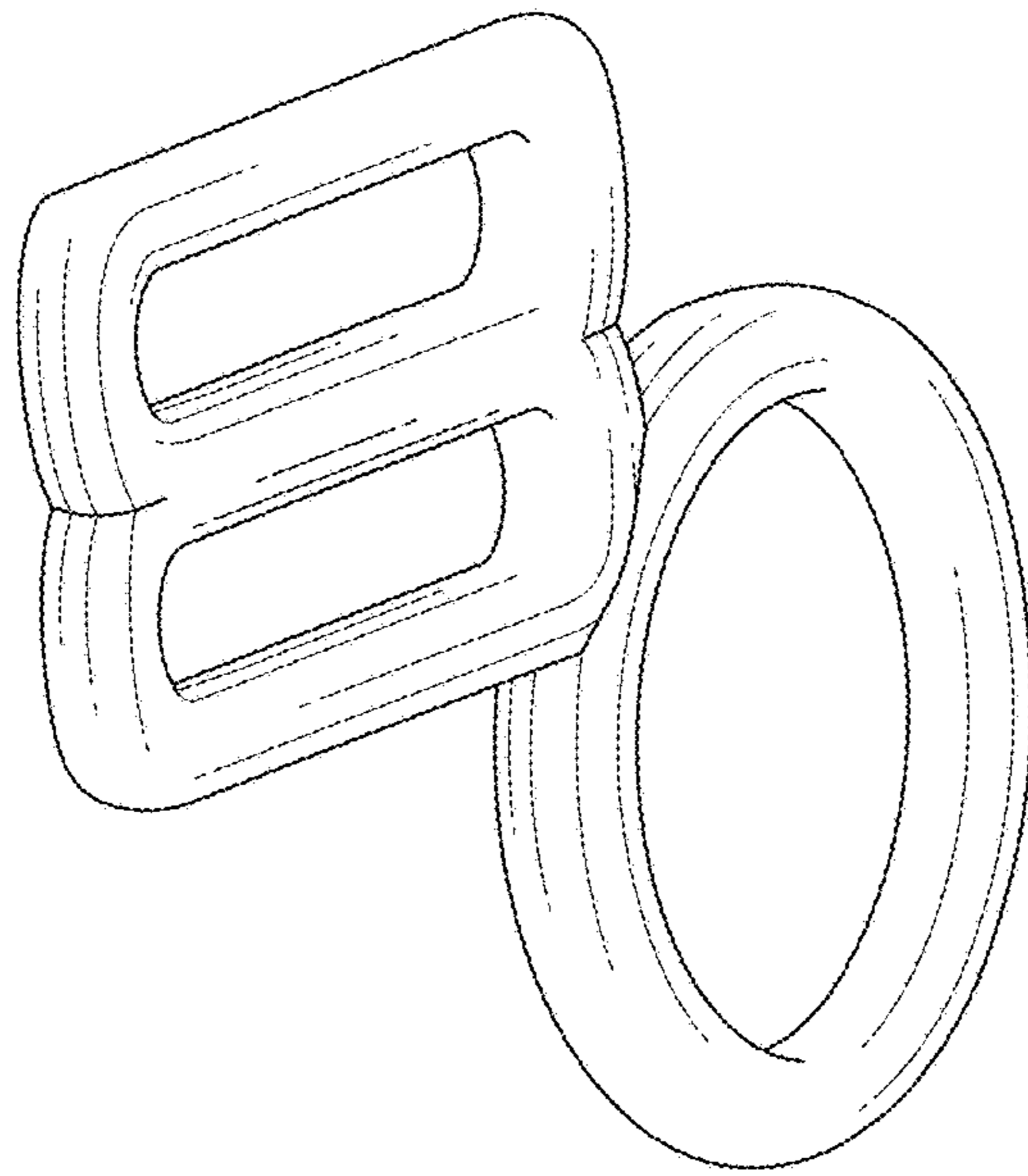


FIG. 8

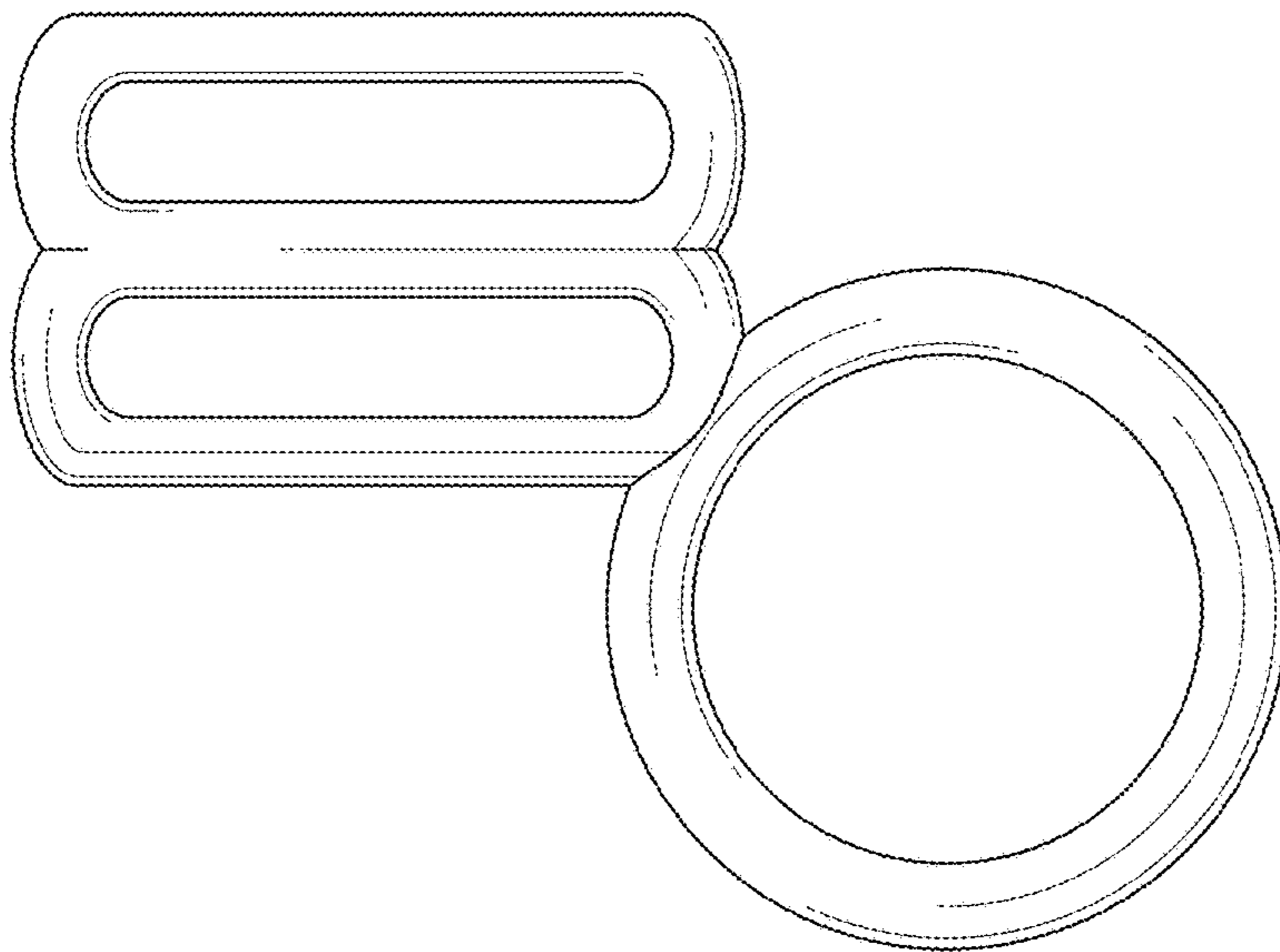


FIG. 9



FIG. 10



FIG. 11

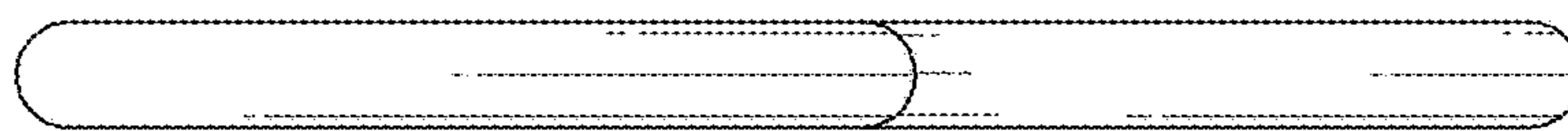


FIG. 12



FIG. 13