



US00D842579S

(12) **United States Design Patent** (10) **Patent No.:** **US D842,579 S**
Sonzogni et al. (45) **Date of Patent:** **** Mar. 5, 2019**

(54) **BARREL**
(71) Applicant: **Silvia Romana Marabini**, Grassobbio (BG) (IT)
(72) Inventors: **Sergio Sonzogni**, Grassobbio (IT); **Philip Andrew Walton**, Bishop Auckland (GB)
(73) Assignee: **Silvia Romana Marabini**, Grassobbio (BG) (IT)
(**) Term: **15 Years**

D558,950 S * 1/2008 Brans D34/39
D568,025 S 4/2008 Schutz
D574,574 S 8/2008 Bax
D635,322 S 3/2011 Knighton
D722,215 S 2/2015 Sonzogni
D725,864 S 3/2015 Sonzogni
D732,262 S * 6/2015 Pellham D34/39
9,359,100 B2 * 6/2016 Smith B65D 1/0223
2009/0218358 A1 9/2009 Schutz
2010/0072212 A1 3/2010 Howard et al.
2012/0104035 A1 * 5/2012 Bates B65D 7/045
222/386.5
2012/0125938 A1 * 5/2012 Bates B65D 7/045
220/495.03
2013/0256180 A1 10/2013 Smith et al.

(21) Appl. No.: **29/597,988**
(22) Filed: **Mar. 22, 2017**
(30) **Foreign Application Priority Data**
Sep. 23, 2016 (EM) 003390442
(51) **LOC (11) Cl.** **09-02**
(52) **U.S. Cl.**
USPC **D34/39**
(58) **Field of Classification Search**
USPC D34/39, 28; 220/672, 601, 669, 661, 220/DIG. 1, 675, 592.19, 649, 495.03, 220/386.5; D23/205
CPC B65D 9/04; B65D 15/02; B65D 7/045
See application file for complete search history.

FOREIGN PATENT DOCUMENTS

EM 001634809_0001 11/2009
EM EC001645474_001 12/2009
EM 001783010_0001 11/2010
EM 001783010-0002 11/2010
EM 003390442_0001 9/2016

* cited by examiner

Primary Examiner — Cynthia Ramirez
Assistant Examiner — Gino Colan
(74) *Attorney, Agent, or Firm* — King & Schickli, PLLC

(57) **CLAIM**

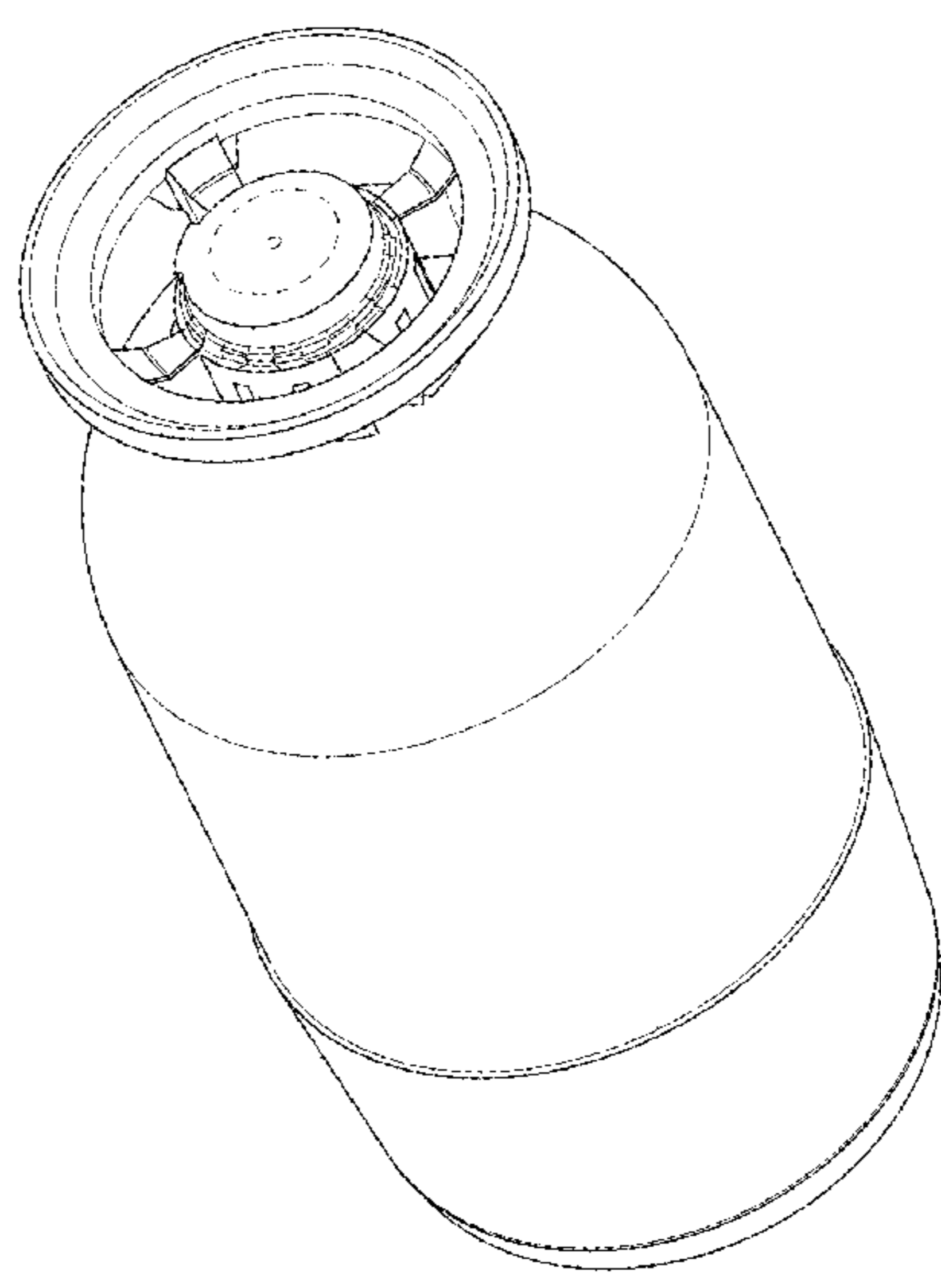
The ornamental design for a barrel, as shown and described.

DESCRIPTION

FIG. 1 is a top perspective view of the barrel;
FIG. 2 is a side elevation view of the barrel;
FIG. 3 is a top view of the barrel; and,
FIG. 4 is a bottom view of the barrel.
The broken lines shown in the figures are included for the purpose of illustrating portions of the barrel and form no part of the claimed design.

1 Claim, 4 Drawing Sheets

(56) **References Cited**
U.S. PATENT DOCUMENTS
2,043,183 A 6/1936 Wilhelm et al.
D188,822 S 9/1960 Wareham
3,170,586 A 2/1965 Bulgrin et al.
D331,825 S * 12/1992 Osgar D23/205
D335,744 S * 5/1993 Small D23/205
D374,959 S * 10/1996 Mull D34/39
5,579,912 A 12/1996 Yamamoto



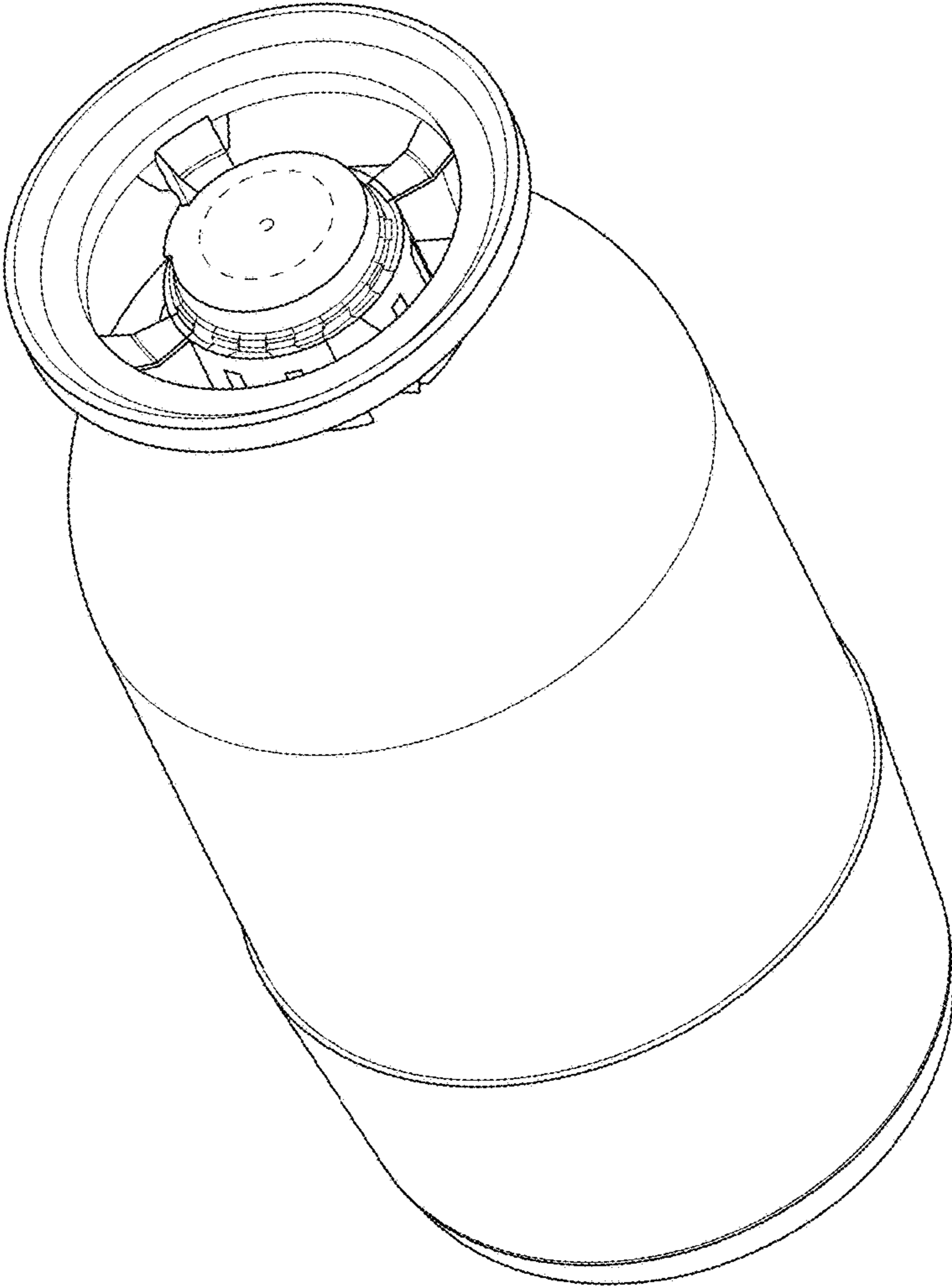


FIG. 1

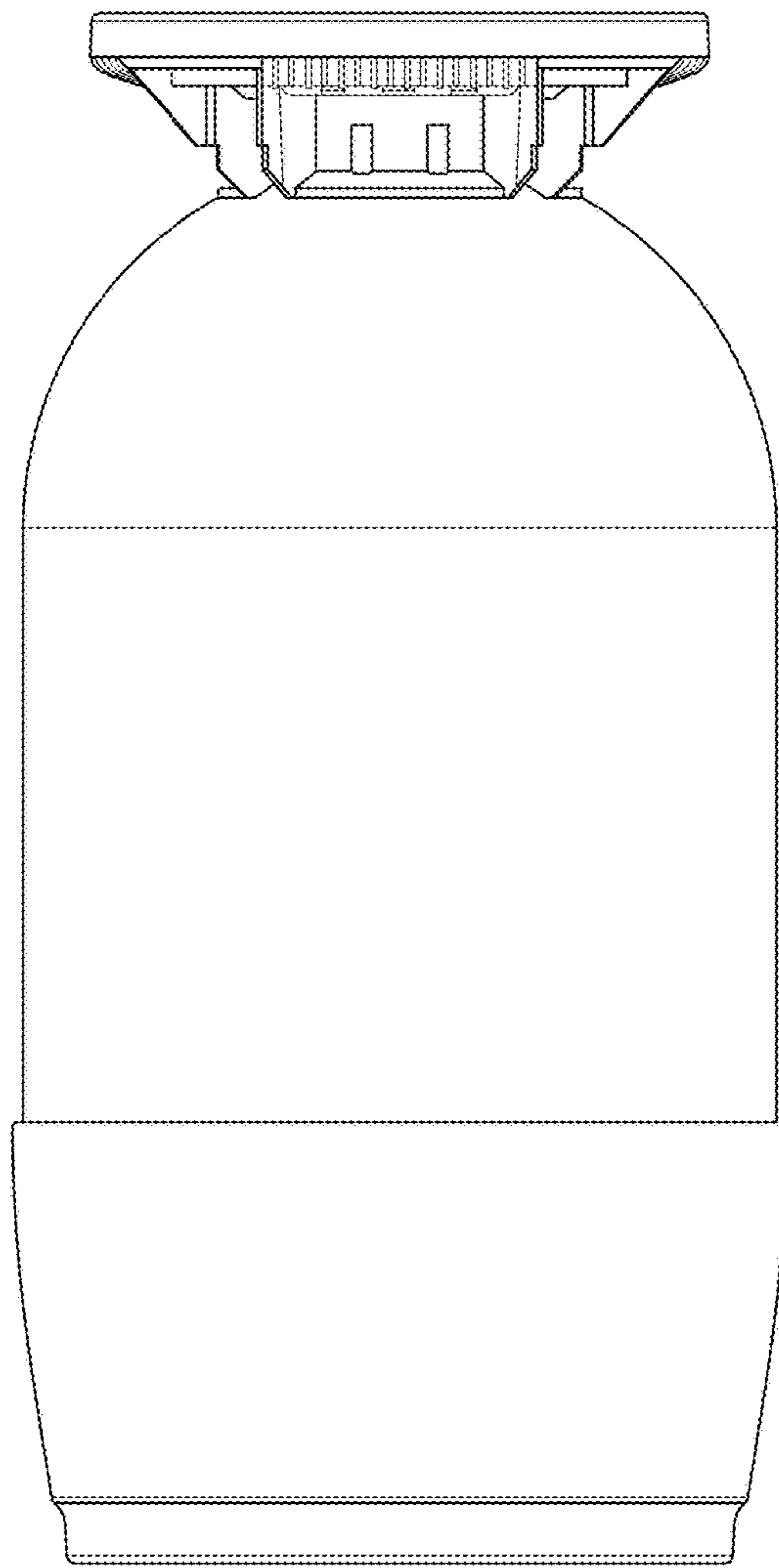


FIG. 2

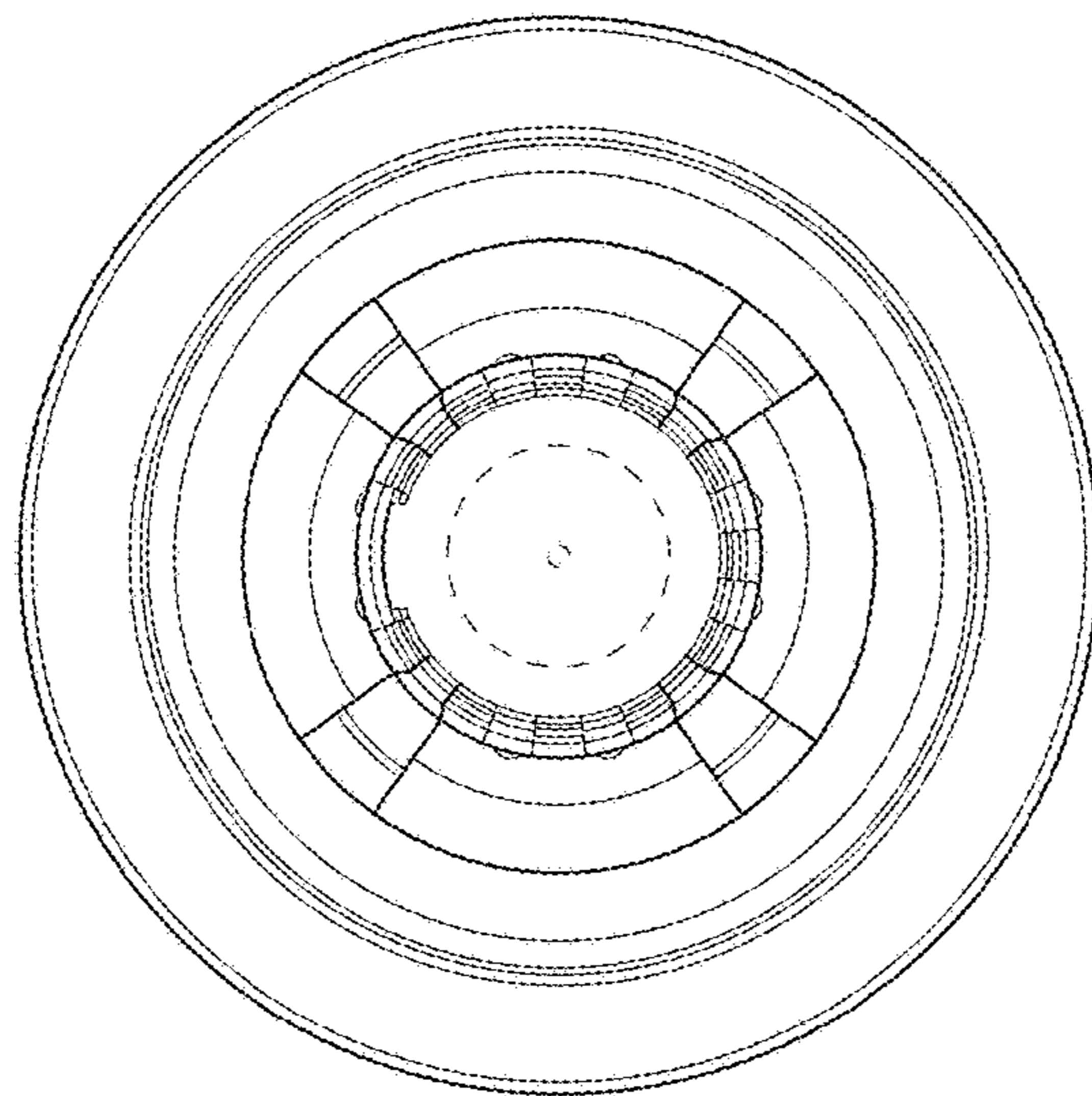


FIG. 3

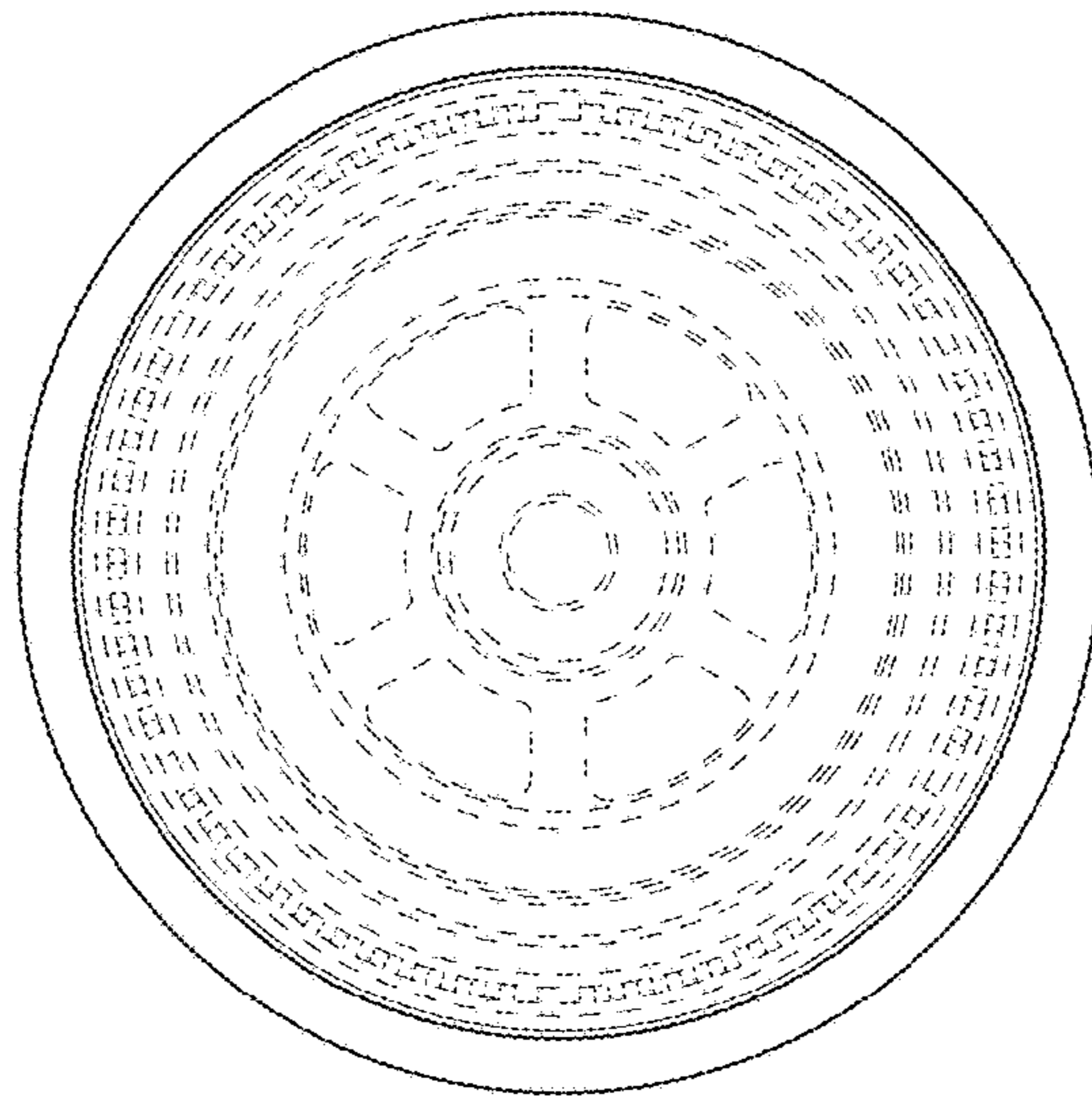


FIG. 4