



US00D842578S

(12) **United States Design Patent** (10) **Patent No.:** **US D842,578 S**
Brown (45) **Date of Patent:** **** Mar. 5, 2019**

(54) **CORDLESS FLOOR CAR JACK**
(71) Applicant: **Kevin Brown**, Moultonborough, NH (US)
(72) Inventor: **Kevin Brown**, Moultonborough, NH (US)

9,340,397 B1 5/2016 Hernandez
9,566,826 B2 2/2017 Yaschur
2003/0043581 A1 3/2003 Finnigan
2008/0137338 A1 6/2008 Lin
2015/0360653 A1 12/2015 Van Den Bos
2017/0113908 A1 4/2017 Chadwick et al.

FOREIGN PATENT DOCUMENTS

(**) Term: **15 Years**
(21) Appl. No.: **29/618,148**

ES 1059912 6/2005
WO 2008015303 2/2008
WO 2014116252 7/2014

* cited by examiner

(22) Filed: **Sep. 19, 2017**
(51) **LOC (11) Cl.** **12-05**
(52) **U.S. Cl.**
USPC **D34/31**
(58) **Field of Classification Search**
USPC D34/31; 254/93 H, 8 R, 8 B, 88, 84, 94,
254/93 R
CPC B66F 1/00; B66F 1/06; B66F 1/08; B66F
3/25; B66F 5/00
See application file for complete search history.

Primary Examiner — Cynthia Ramirez
(74) *Attorney, Agent, or Firm* — Lambert Shortell & Connaughton; Gary E. Lambert; David J. Connaughton, Jr.

(57) **CLAIM**

The ornamental design for a cordless floor car jack, as shown and described.

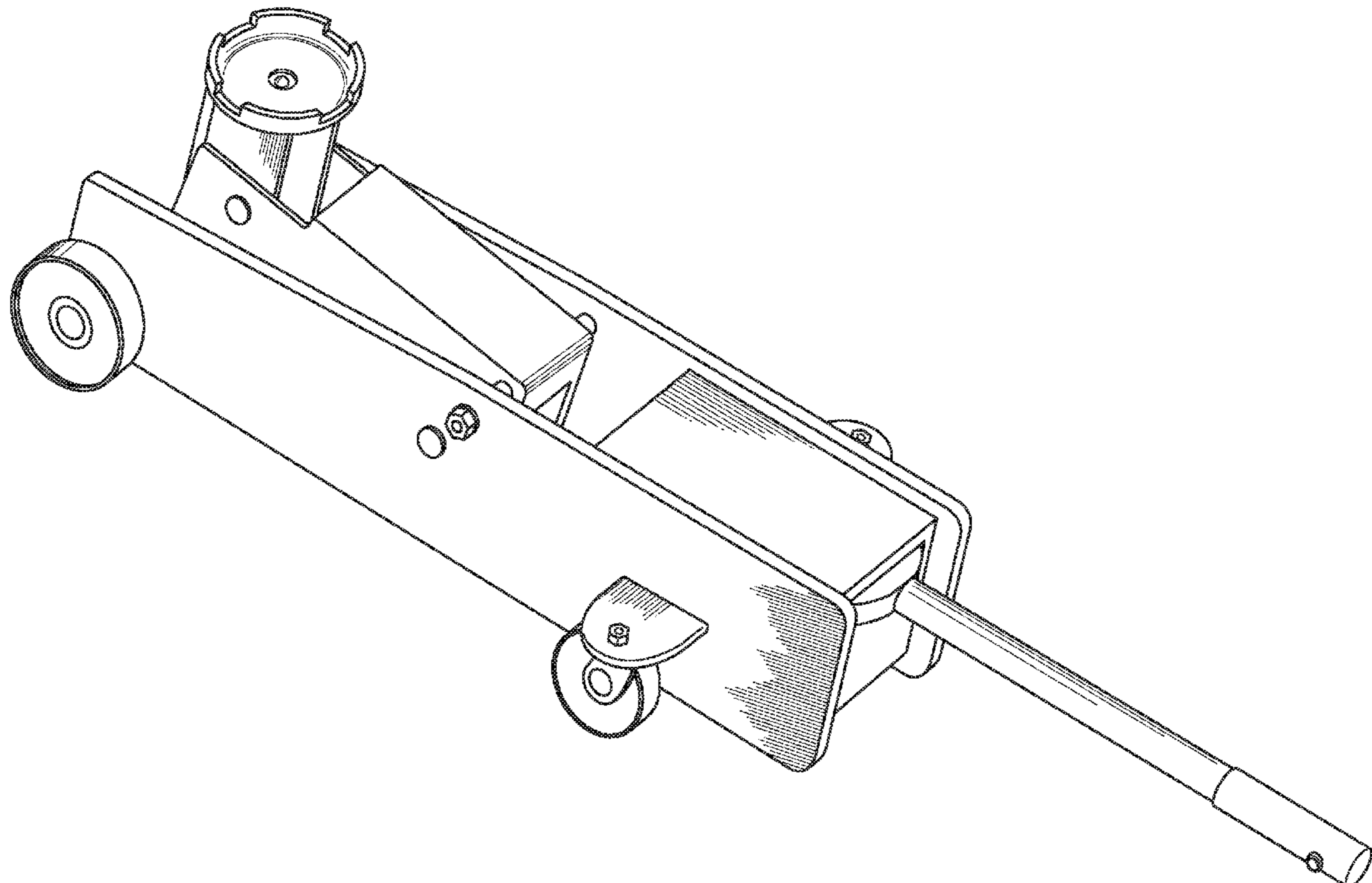
DESCRIPTION

FIG. 1 is an isometric view of the cordless floor car jack, which embodies my design;
FIG. 2 is a side view thereof;
FIG. 3 is the other side view thereof;
FIG. 4 is a top elevation view thereof;
FIG. 5 is a bottom elevation view thereof;
FIG. 6 is a front view thereof; and,
FIG. 7 is a rear view thereof.

(56) **References Cited**
U.S. PATENT DOCUMENTS

3,606,252 A 9/1971 Dorough, Jr.
4,142,299 A 3/1979 Alsina
6,082,011 A 7/2000 Phillips, III
6,637,908 B1 10/2003 Hung
6,910,677 B1 6/2005 Miller et al.
D537,225 S * 2/2007 Hernandez D34/31
D683,104 S * 5/2013 Flournoy D34/31
D720,914 S * 1/2015 Fox D34/31
9,045,150 B2 6/2015 Li et al.

1 Claim, 4 Drawing Sheets



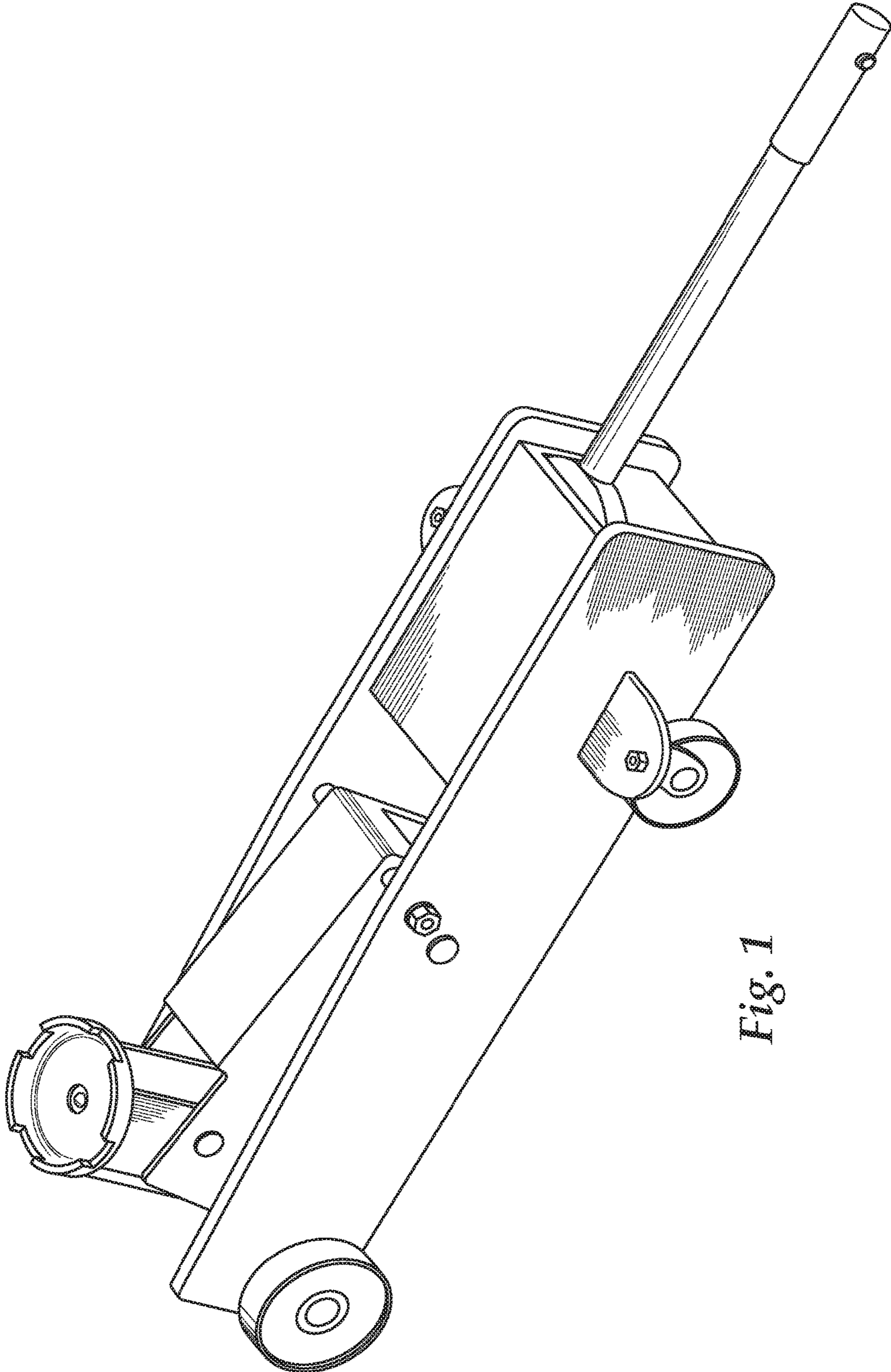


Fig. 1

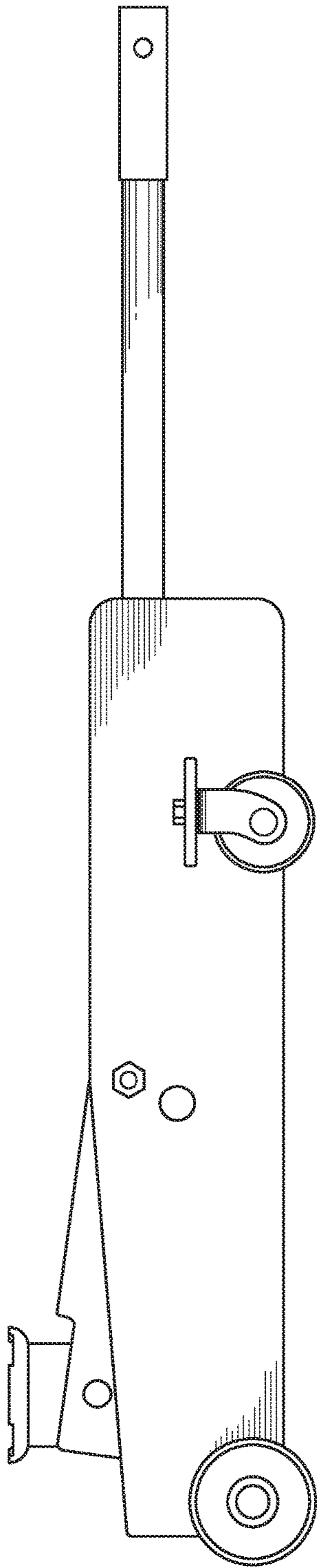


Fig. 2

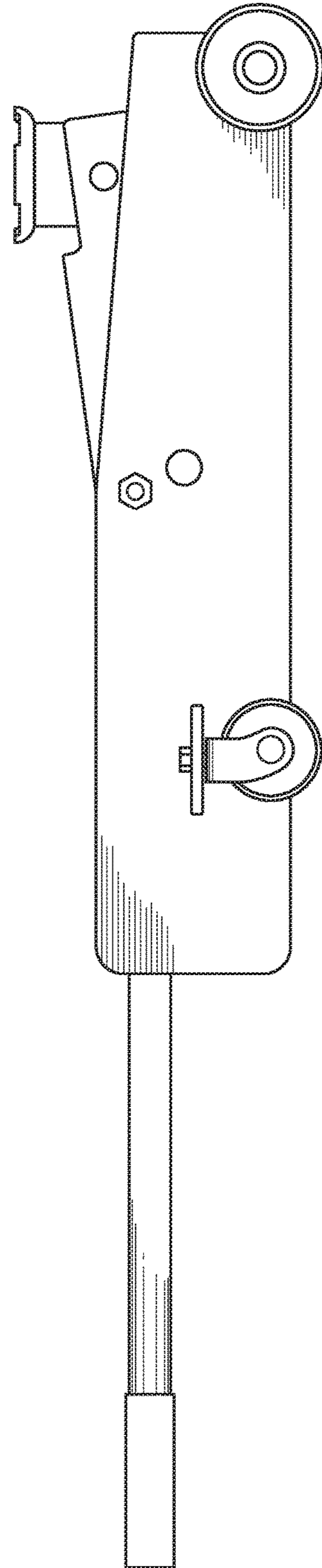


Fig. 3

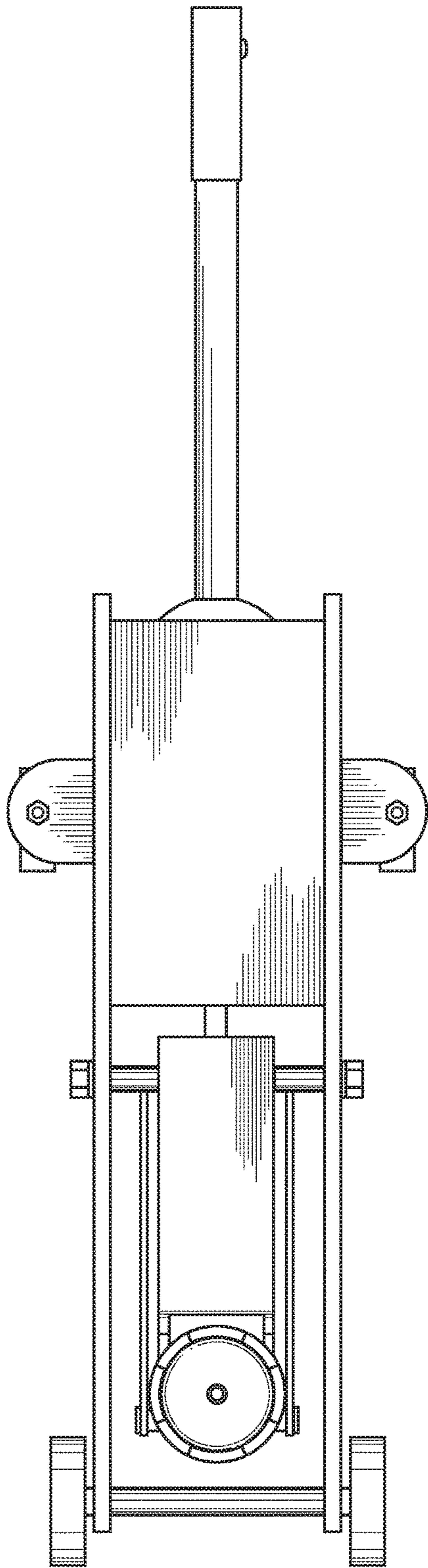


Fig. 4

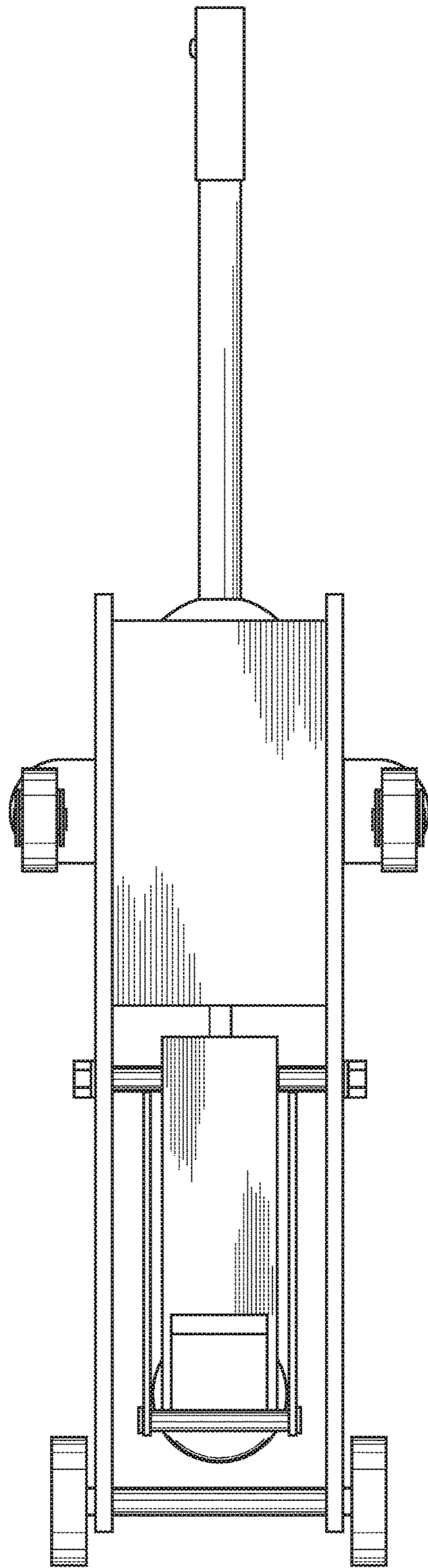


Fig. 5

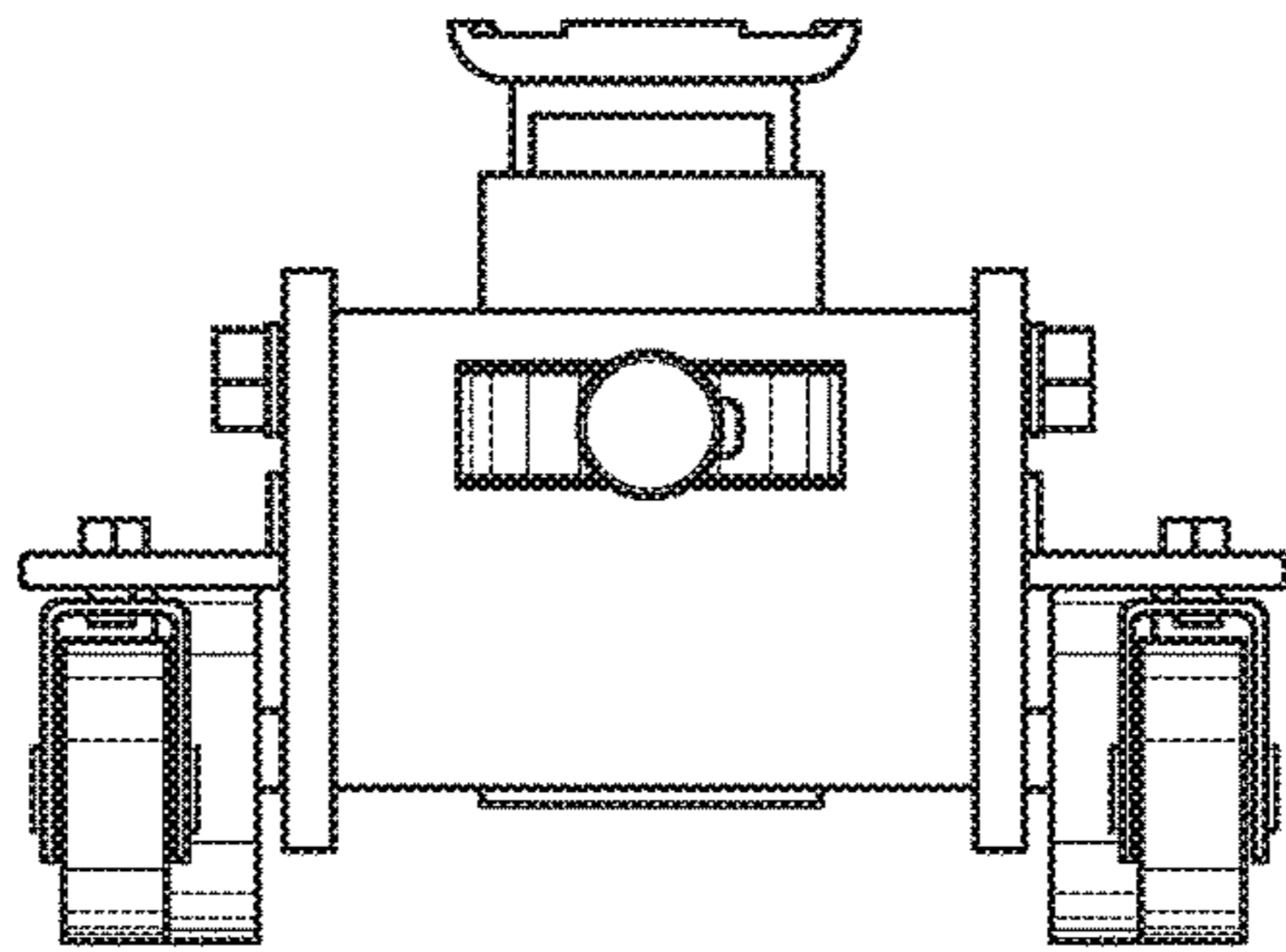


Fig. 6

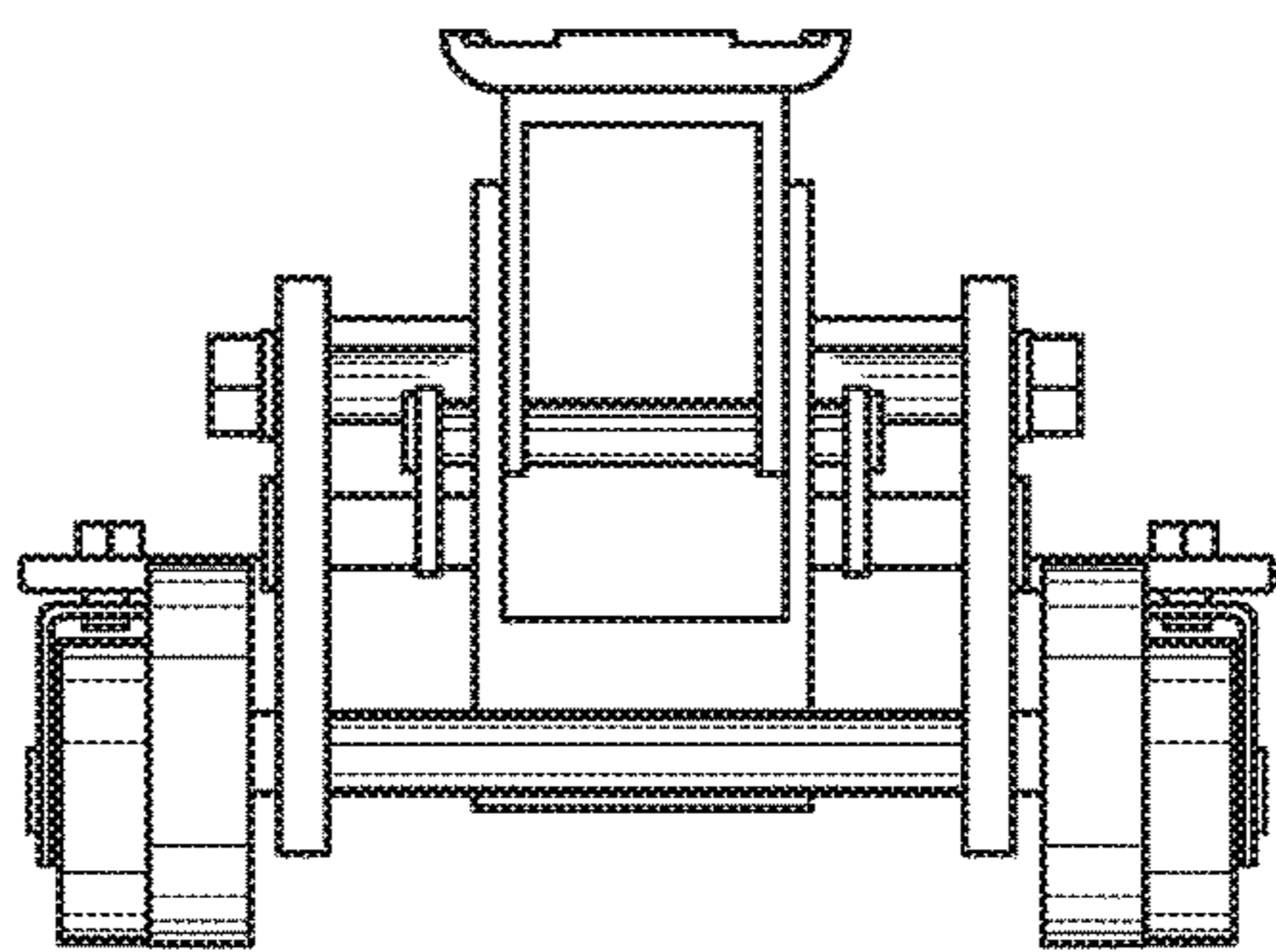


Fig. 7