



US00D842575S

(12) **United States Design Patent**
Yu et al.

(10) **Patent No.:** **US D842,575 S**
(45) **Date of Patent:** **** Mar. 5, 2019**

(54) **FOLDABLE TROLLEY**

(71) Applicant: **Zhuhai Shichang Metals Ltd., Zhuhai (CN)**

(72) Inventors: **Hai Yu, Zhuhai (CN); Che-Jen Wang, Zhuhai (CN)**

(73) Assignee: **Zhuhai Shichang Metals Ltd. (CN)**

(**) Term: **15 Years**

(21) Appl. No.: **29/586,639**

(22) Filed: **Dec. 6, 2016**

(51) **LOC (11) Cl.** **12-02**

(52) **U.S. Cl.**
USPC **D34/12**

(58) **Field of Classification Search**
USPC D34/12-27; 280/47.34, 651, 47.26, 47.37
CPC B62B 3/02; B62B 7/12; B62B 1/12
See application file for complete search history.

(56) **References Cited**

U.S. PATENT DOCUMENTS

D189,454 S *	12/1960	Wilmette, III	D34/17
D200,401 S *	2/1965	Olson	D34/18
D223,707 S *	5/1972	Salisbury	D34/18
4,856,810 A *	8/1989	Smith	B62B 3/02 280/37
D333,370 S *	2/1993	Monk	D34/12
D398,431 S *	9/1998	McDonald	D34/12
D565,824 S *	4/2008	Mueller	D22/113
D649,320 S *	11/2011	Renfrew	D34/12

D664,737 S *	8/2012	Slank	D2/742
8,342,544 B1	1/2013	Blewett et al.		
D723,762 S *	3/2015	Treadwell	D34/17
2018/0154916 A1 *	6/2018	Yu	B62B 3/027

FOREIGN PATENT DOCUMENTS

EP	2258599 A2	12/2010
EP	2258599 A3	12/2013
WO	2012064849 A1	5/2012

* cited by examiner

Primary Examiner — Cynthia Ramirez

(74) *Attorney, Agent, or Firm* — Luedeka Neely Group, P.C.

(57) **CLAIM**

The ornamental design for a foldable trolley, as shown and described.

DESCRIPTION

FIG. 1 is a front upper perspective view of a foldable trolley of our new design

FIG. 2 is a rear upper perspective view of the foldable trolley of FIG. 1.

FIG. 3 is a right-side view of the foldable trolley of FIG. 1, the left side being a mirror image thereto.

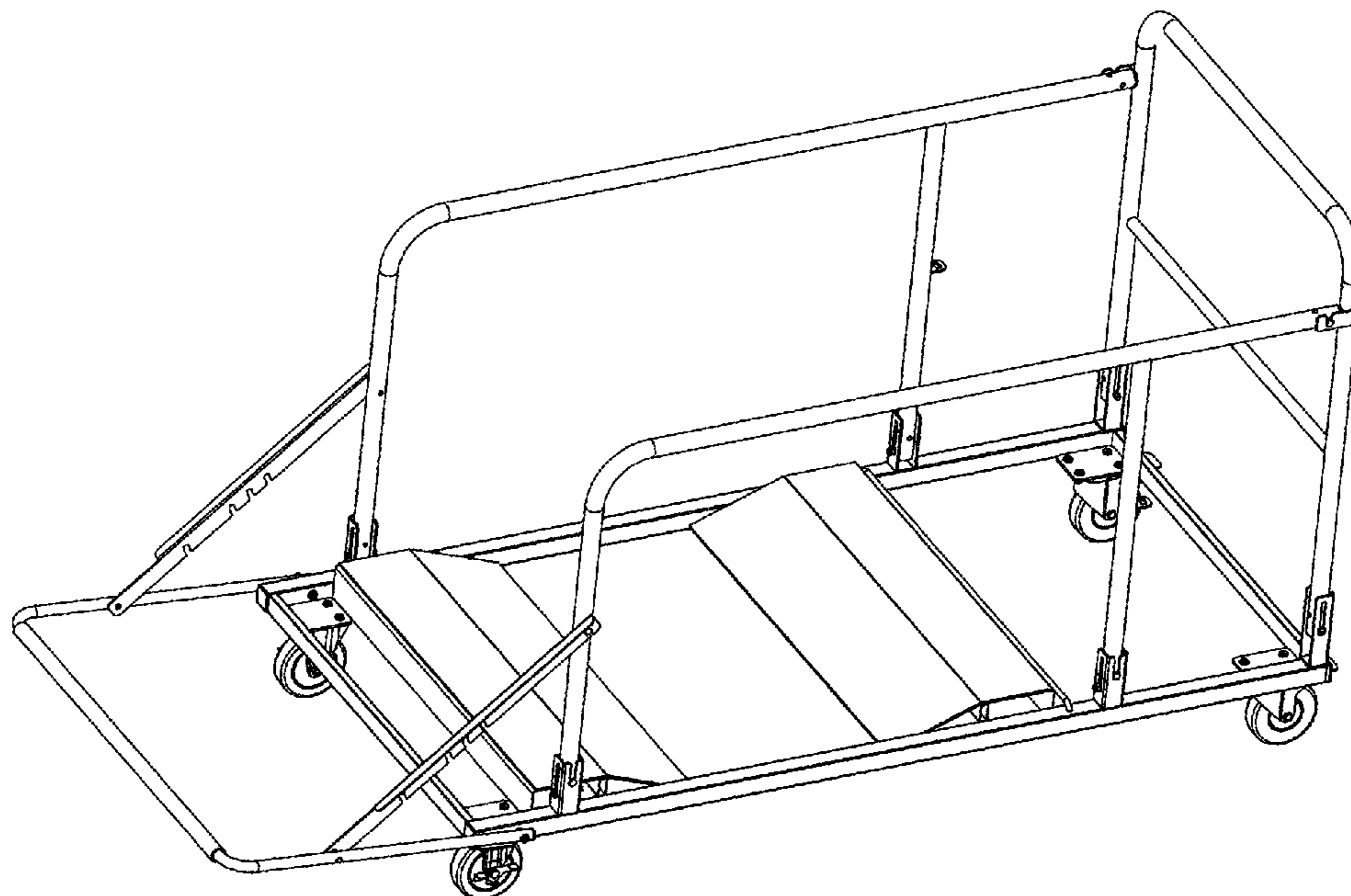
FIG. 4 is a bottom plan view of the foldable trolley of FIG. 1.

FIG. 5 is a front-end view of the foldable trolley of FIG. 1.

FIG. 6 is an upper perspective view of the foldable trolley of FIG. 1 showing the trolley folded; and,

FIG. 7 is a right-side view of the folded trolley of FIG. 6.

1 Claim, 6 Drawing Sheets



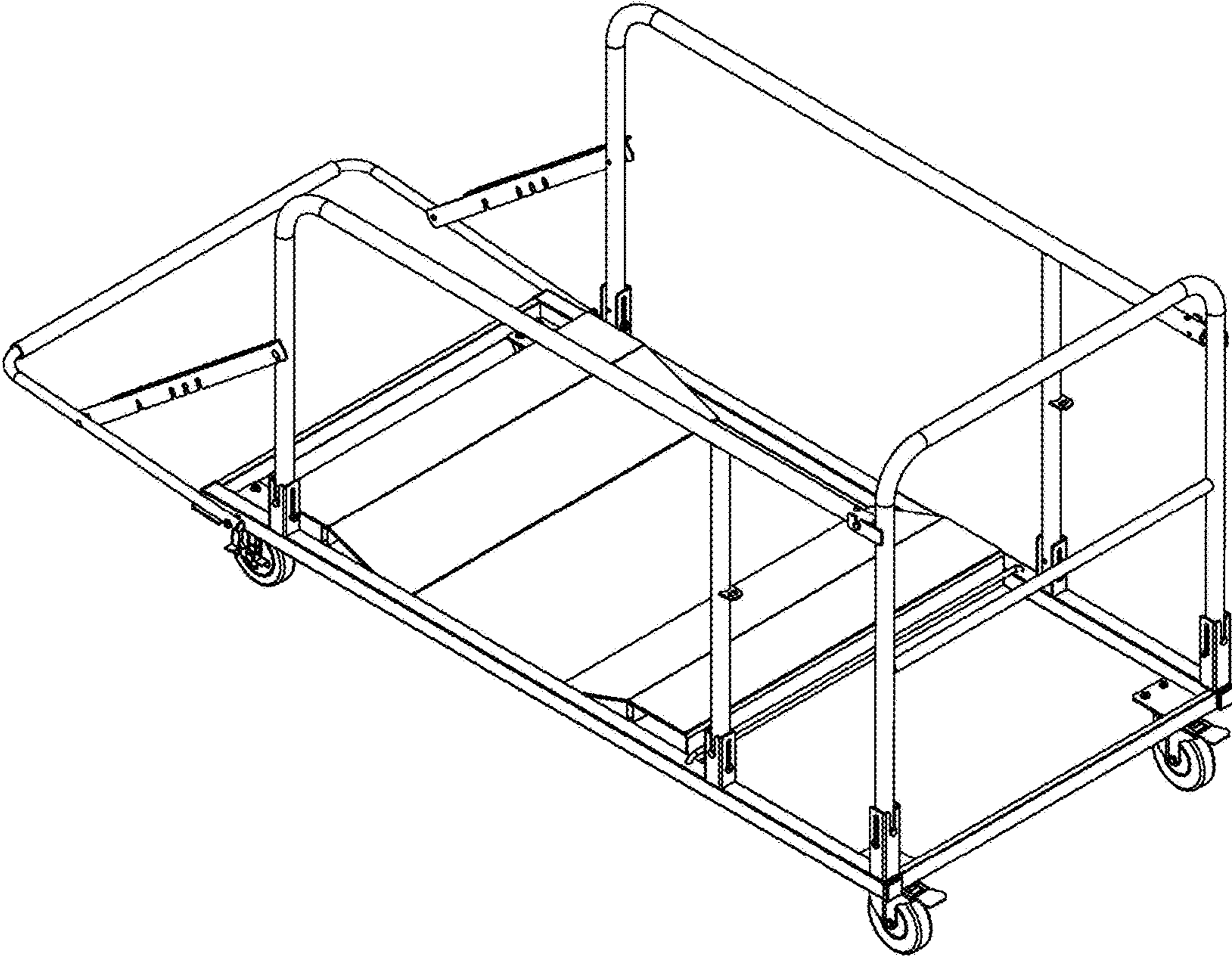


FIG. 1

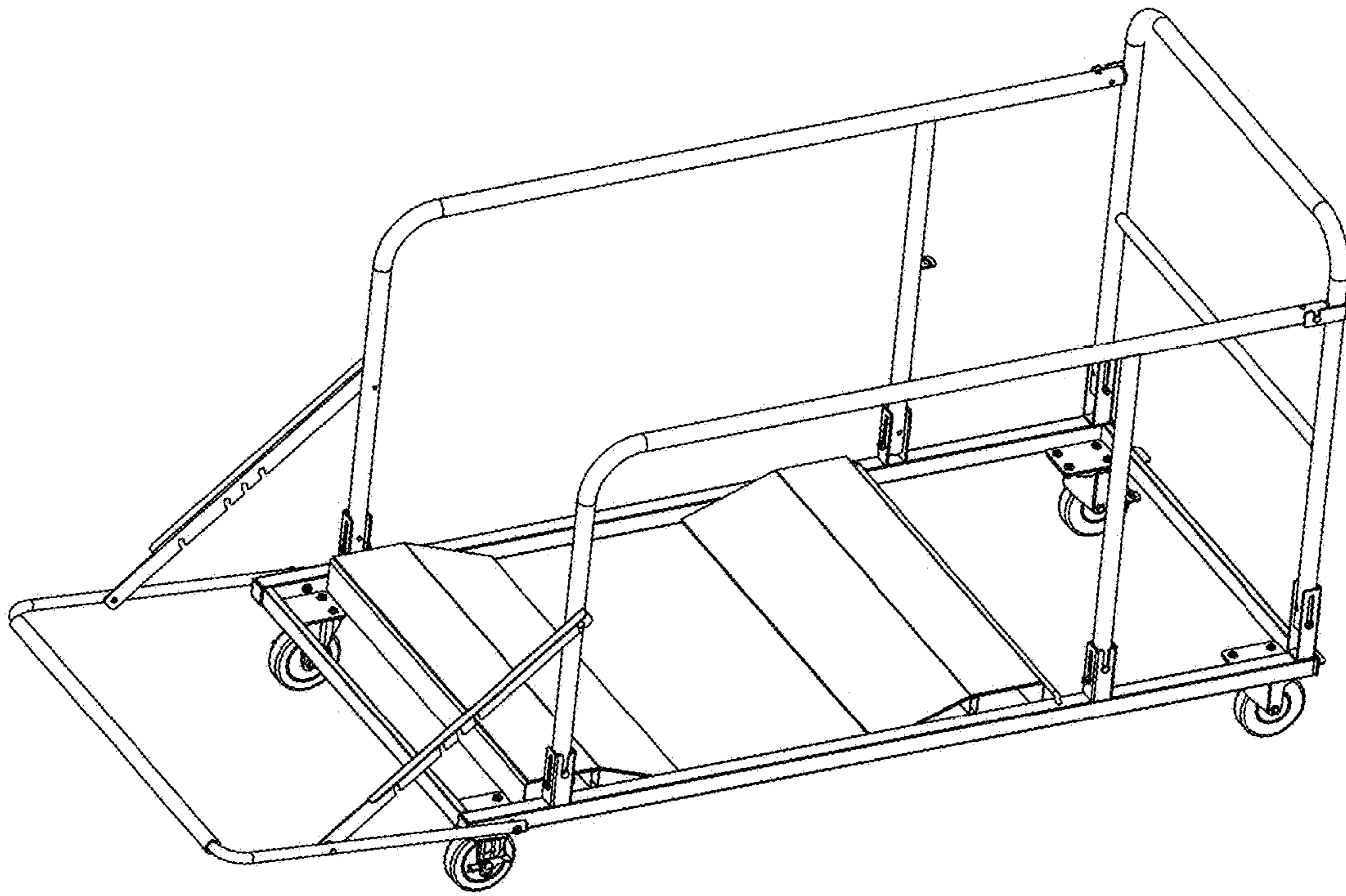


FIG. 2

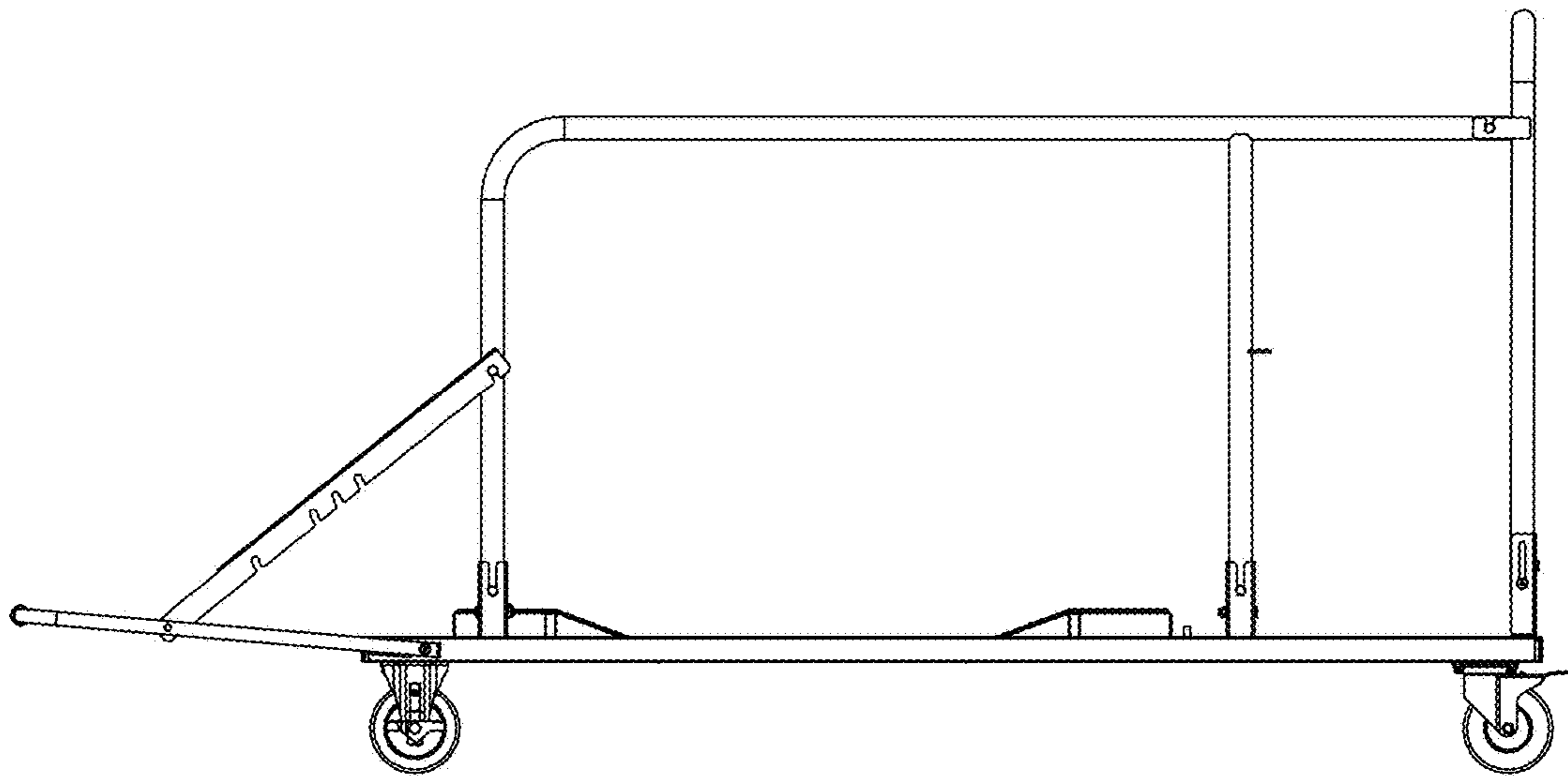


FIG. 3

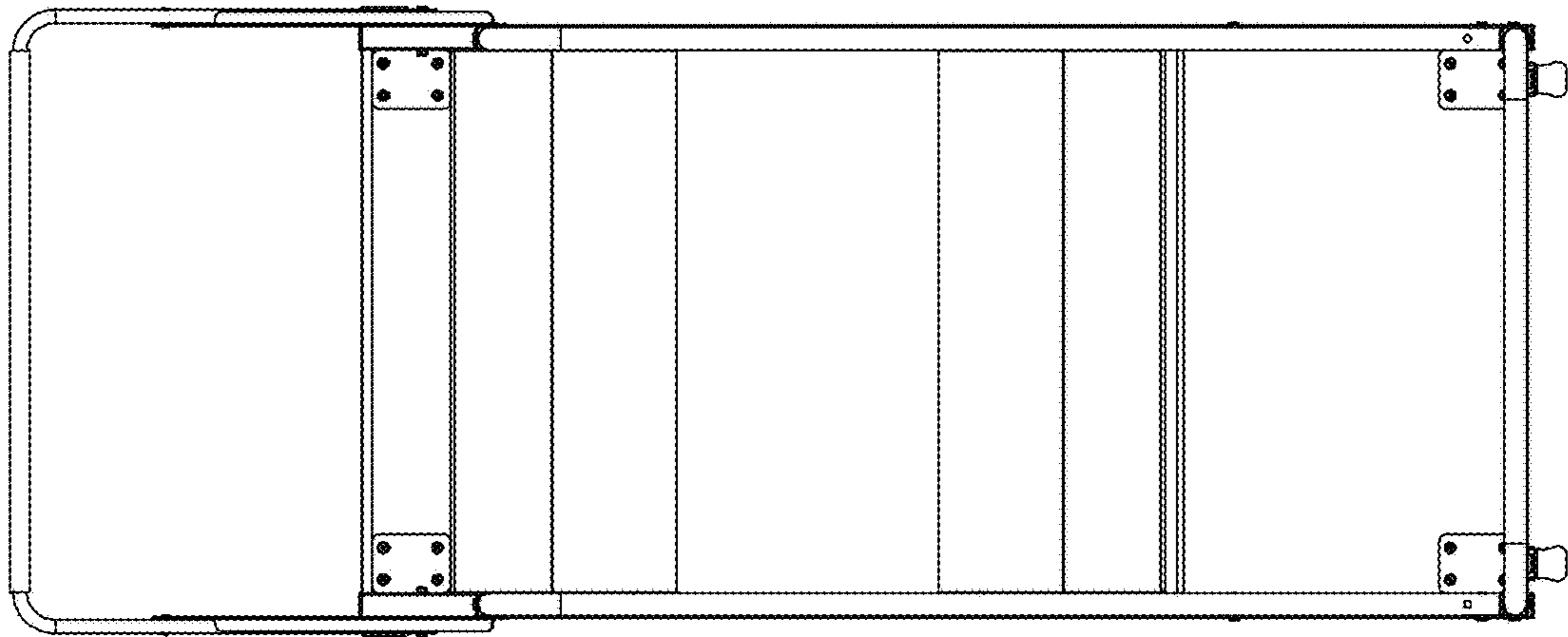


FIG. 4

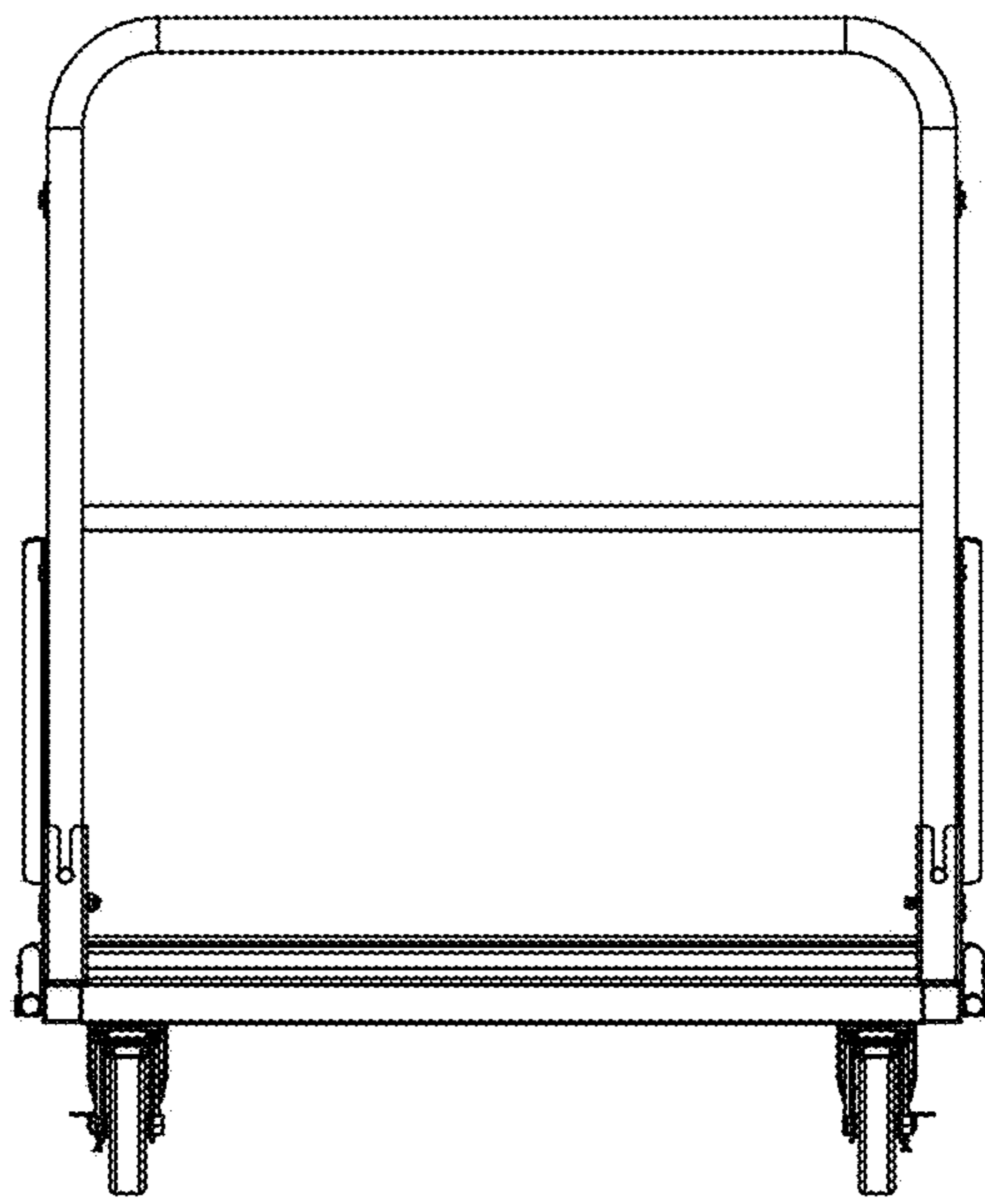


FIG. 5

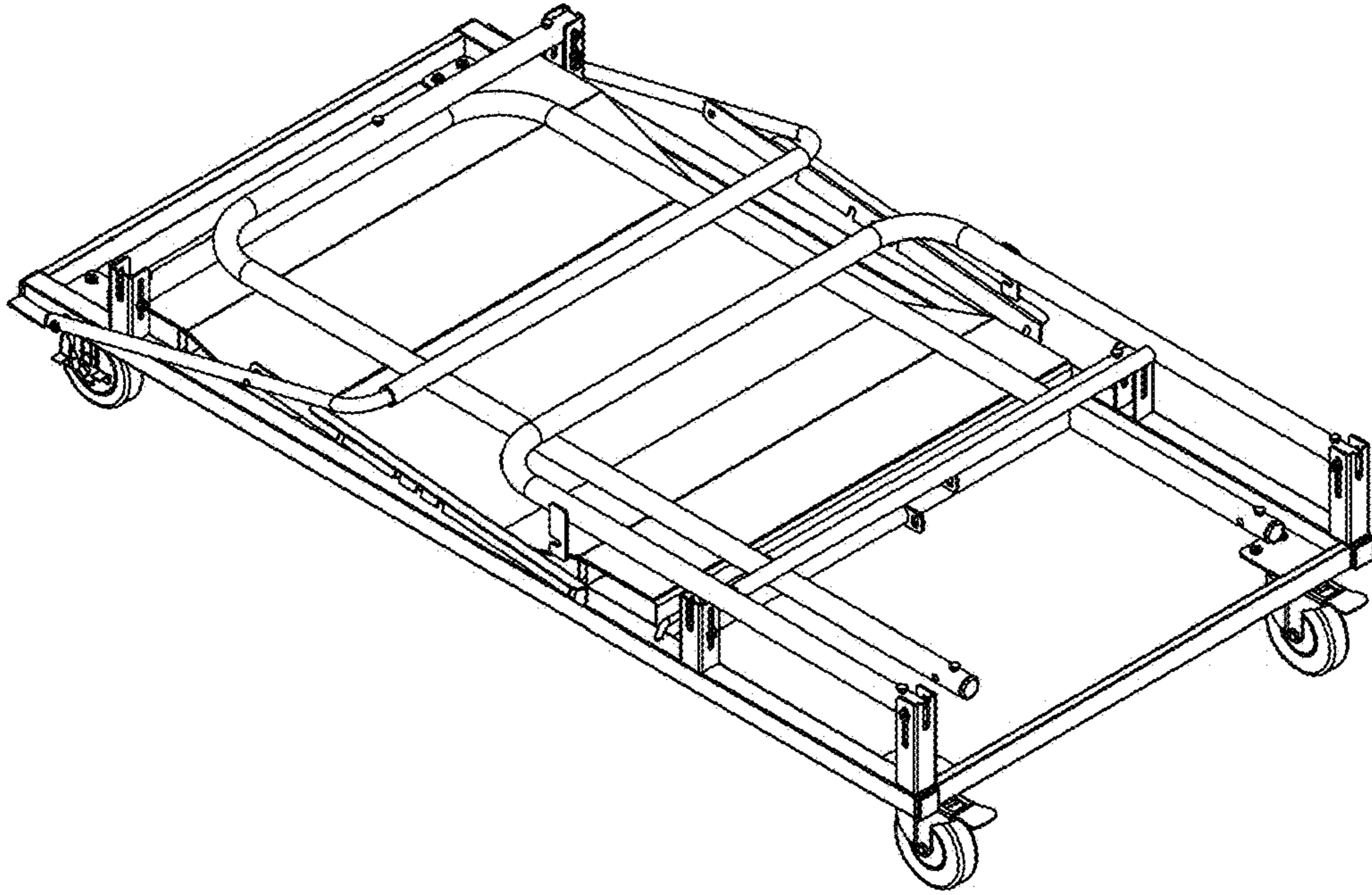


FIG. 6

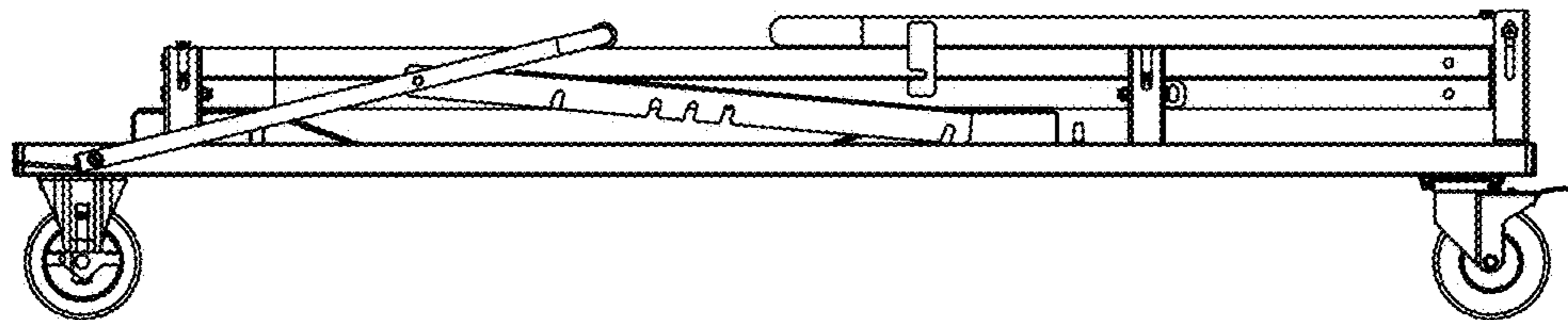


FIG. 7