



US00D842574S

(12) **United States Design Patent** (10) **Patent No.:** **US D842,574 S**
Busch (45) **Date of Patent:** **** Mar. 5, 2019**

(54) **CONTAINER**
(71) Applicant: **Busch Systems International Inc.,**
Barrie, Ontario (CA)
(72) Inventor: **Craig Busch,** Barrie (CA)
(73) Assignee: **Busch Systems International, Inc.**
(CA)
(**) Term: **15 Years**
(21) Appl. No.: **29/546,958**
(22) Filed: **Nov. 30, 2015**
(51) **LOC (11) Cl.** **09-09**
(52) **U.S. Cl.**
USPC **D34/11**
(58) **Field of Classification Search**
USPC D34/1, 7, 10, 11; 220/908, 908.1, 909,
220/911
CPC B65F 1/0053; B65F 1/004; B65F 1/16;
B65F 1/1607; B65D 53/02; B65D
2543/00083
See application file for complete search history.

D757,385 S * 5/2016 Peake-Atkins D34/7
D763,531 S * 8/2016 Mattern D34/7
D779,761 S * 2/2017 Bergemann D34/7
D800,985 S * 10/2017 Bersch D34/1
D805,707 S * 12/2017 Kopp D34/11
D805,708 S * 12/2017 Kopp D34/11
2010/0176126 A1 7/2010 Shikano

FOREIGN PATENT DOCUMENTS

DE 10 2004 008 592 A1 1/2005
EP 0440889 5/1993
EP 1172307 1/2002
EP 1493688 1/2005

* cited by examiner

Primary Examiner — Cynthia Ramirez

Assistant Examiner — Gino Colan

(74) *Attorney, Agent, or Firm* — Woodard Emhardt Henry
Reeves & Wagner LLP

(57) **CLAIM**

The ornamental design for a container, as shown and
described.

DESCRIPTION

FIG. 1 is a perspective view of a container showing my new
design;

FIG. 2 is a top plan view of the FIG. 1 container;

FIG. 3 is a bottom plan view of the FIG. 1 container;

FIG. 4 is a left side elevational view of the FIG. 1 container,
the right side elevational view being a mirror image thereof;
and,

FIG. 5 is a front elevational view of the FIG. 1 container, the
rear elevational view being identical thereto.

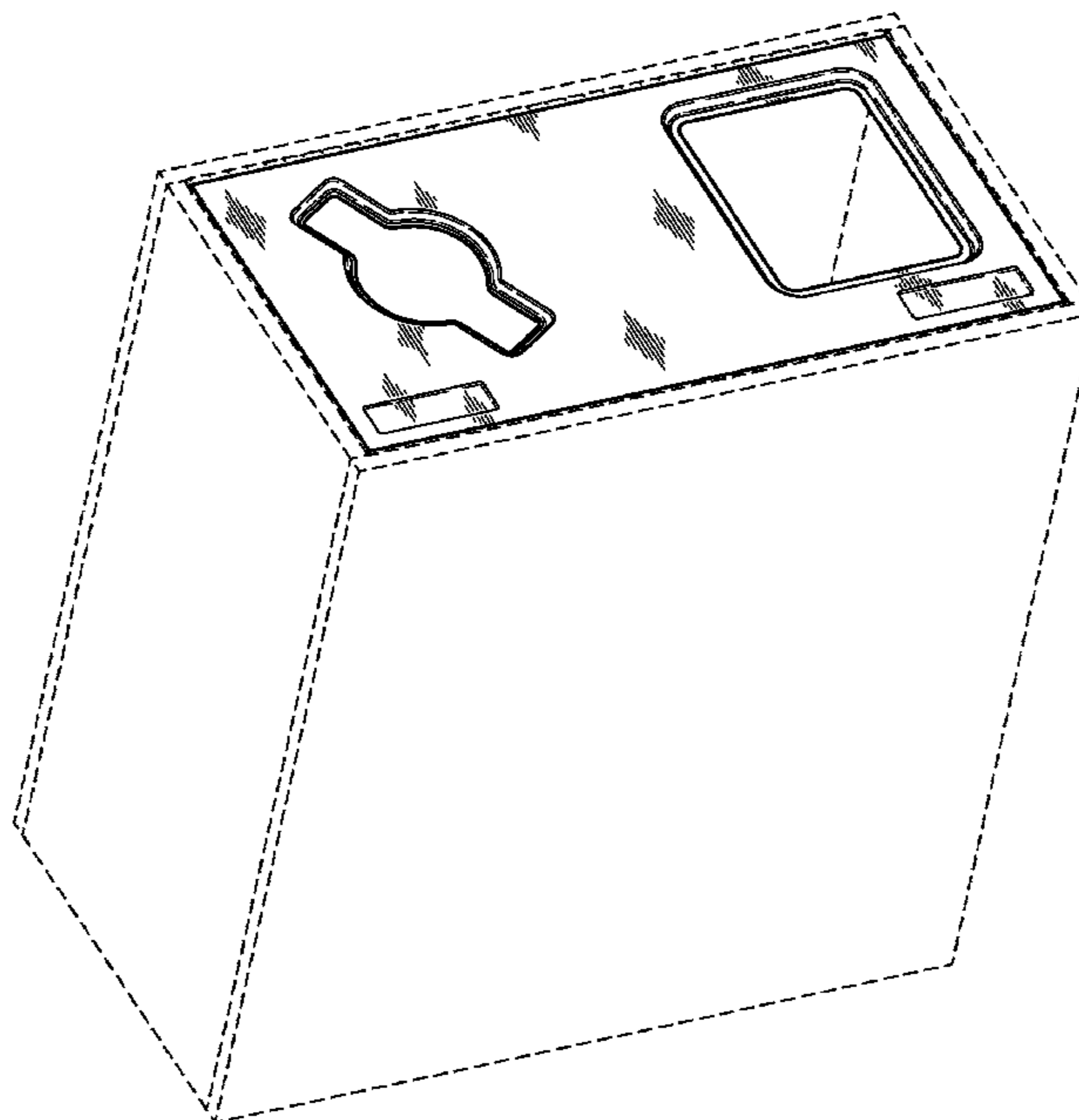
The broken lines in the drawings are for environmental
purposes only and form no part of the claimed design.

1 Claim, 4 Drawing Sheets

(56) **References Cited**

U.S. PATENT DOCUMENTS

4,576,310 A 3/1986 Isgar et al.
4,834,253 A 5/1989 Crine
5,558,254 A 9/1996 Anderson et al.
5,878,904 A 3/1999 Schweigert
D586,521 S * 2/2009 Pho D34/11
D638,598 S * 5/2011 Ziech D34/1
D681,301 S * 4/2013 Bennie D34/1
8,584,886 B1 11/2013 Ellman et al.
8,607,981 B2 12/2013 Wojno
D738,588 S * 9/2015 Bergemann D34/7



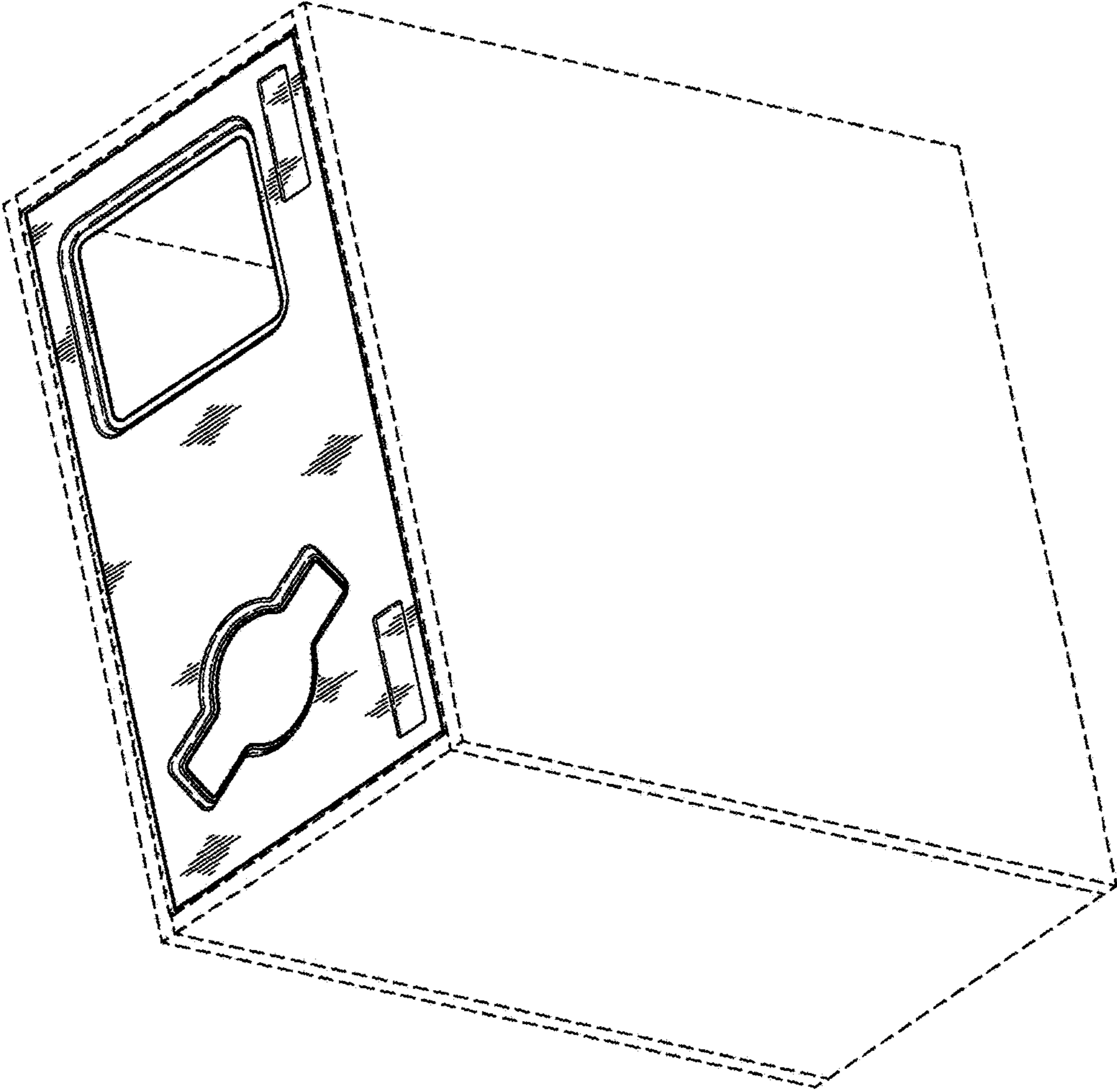


FIG. 1

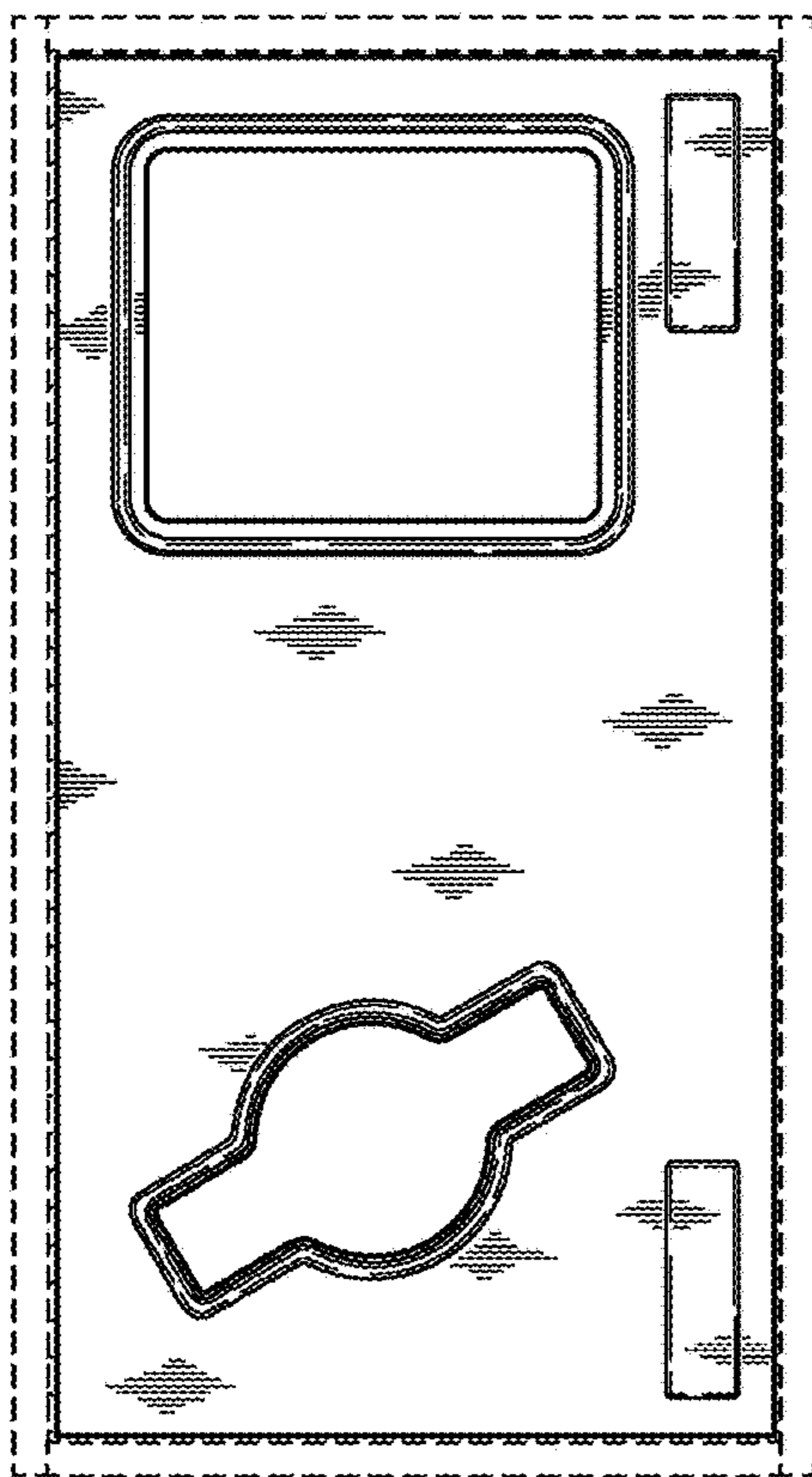


FIG. 2

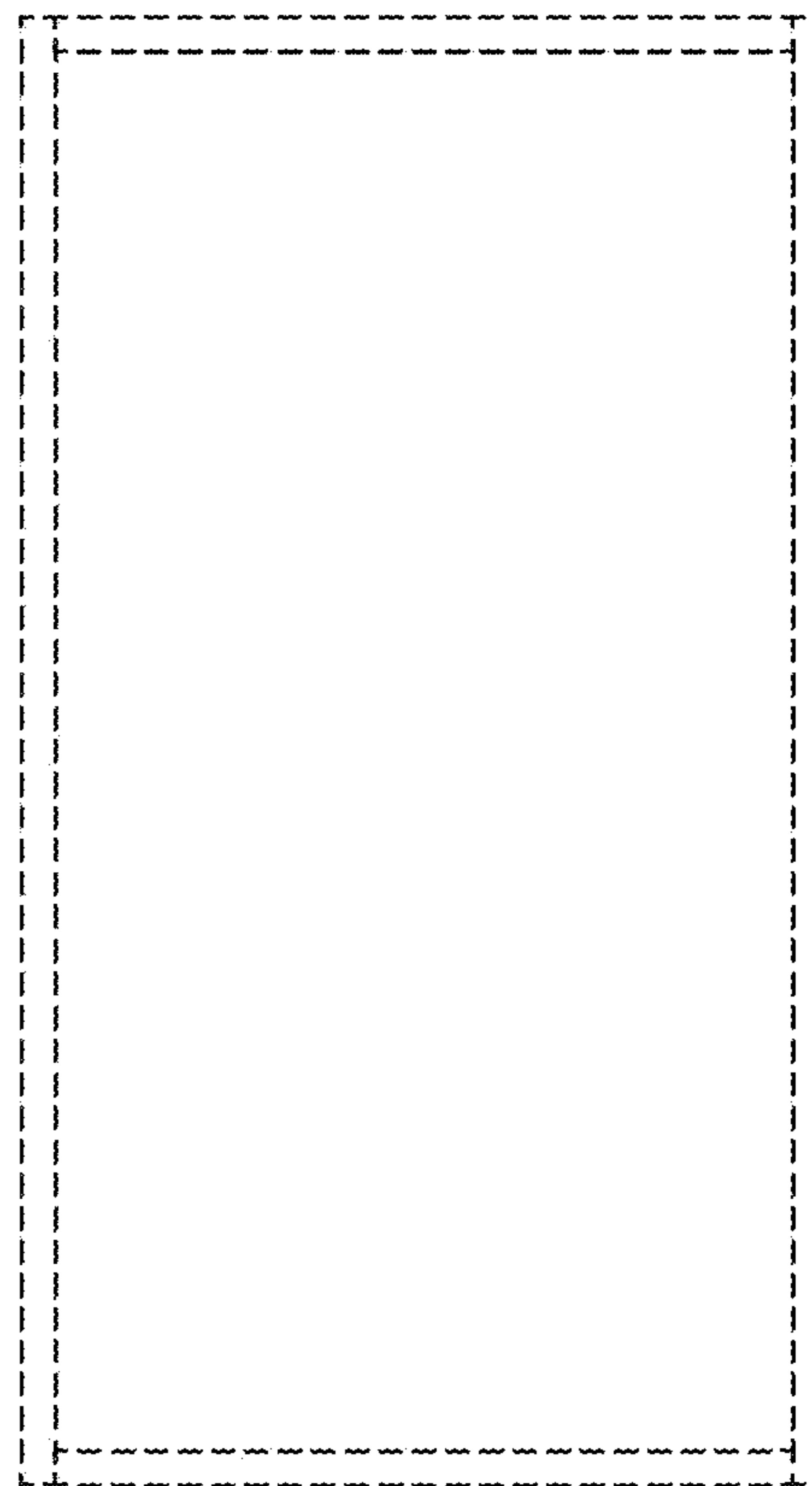


FIG. 3



FIG. 4



FIG. 5