



US00D842573S

(12) **United States Design Patent**
Smeets

(10) **Patent No.:** **US D842,573 S**

(45) **Date of Patent:** **** Mar. 5, 2019**

(54) **PEDAL BIN**

(71) Applicant: **Brabantia Nederland B.V.**,
Valkenswaard (NL)

(72) Inventor: **Joris Kristof Smeets**, Peer (BE)

(73) Assignee: **Brabantia Nederland B.V.**,
Valkenswaard (NL)

(**) Term: **15 Years**

(21) Appl. No.: **29/628,307**

(22) Filed: **Dec. 4, 2017**

(51) **LOC (11) Cl.** **09-09**

(52) **U.S. Cl.**
USPC **D34/9**

(58) **Field of Classification Search**
USPC D34/1, 7, 9, 10, 11; 220/908, 262, 263
CPC B65F 1/163; B65F 1/062; B65F 1/1623;
B65F 1/1646

See application file for complete search history.

(56) **References Cited**

U.S. PATENT DOCUMENTS

D352,144 S	*	11/1994	Brookshire	D34/9
D535,800 S	*	1/2007	Yang	D34/9
D537,601 S	*	2/2007	Lin	D34/9
D631,221 S	*	1/2011	Yang	D34/9
D759,934 S	*	6/2016	Yang	D34/11

D769,564 S	*	10/2016	Chen	D34/9
D771,344 S	*	11/2016	Yang	D34/9
D773,145 S	*	11/2016	Yang	D34/9
D773,769 S	*	12/2016	Chen	D34/9
D830,659 S	*	10/2018	Greenspon	D34/9
2013/0105486 A1	*	5/2013	Mashburn	B65F 1/06 220/495.06

* cited by examiner

Primary Examiner — Cynthia Ramirez

(74) *Attorney, Agent, or Firm* — Abelman, Frayne & Schwab

(57) **CLAIM**

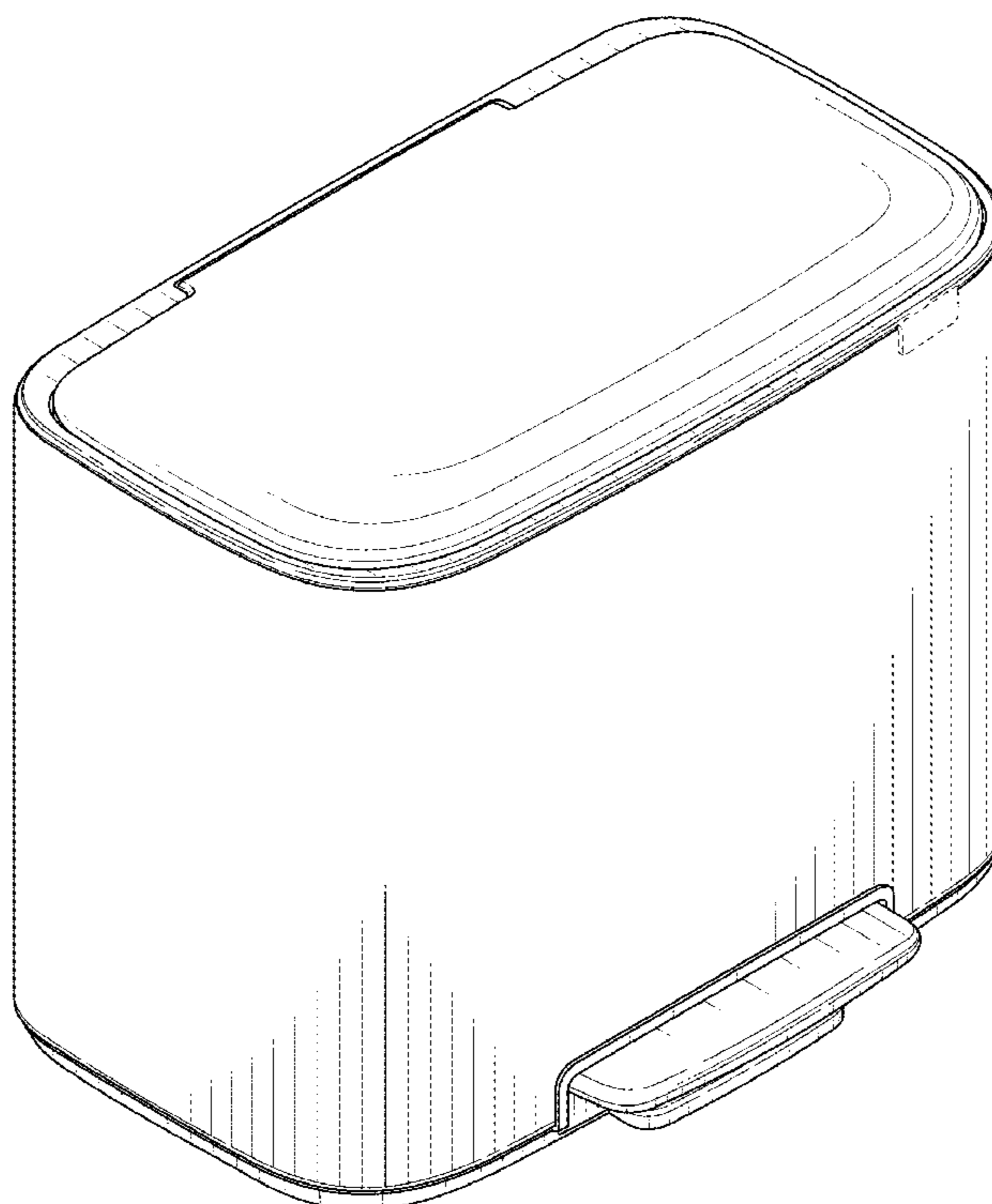
The ornamental design for a pedal bin, as shown and described.

DESCRIPTION

FIG. 1 is a top, front, and left side perspective view of a pedal bin, according to the present invention;
FIG. 2 is a front view thereof;
FIG. 3 is a rear view thereof;
FIG. 4 is a left side view thereof;
FIG. 5 is a right side view thereof;
FIG. 6 is a top view thereof; and,
FIG. 7 is a bottom view thereof.

The broken lines in the drawings show portions of the pedal bin which form no part of the claimed design.

1 Claim, 5 Drawing Sheets



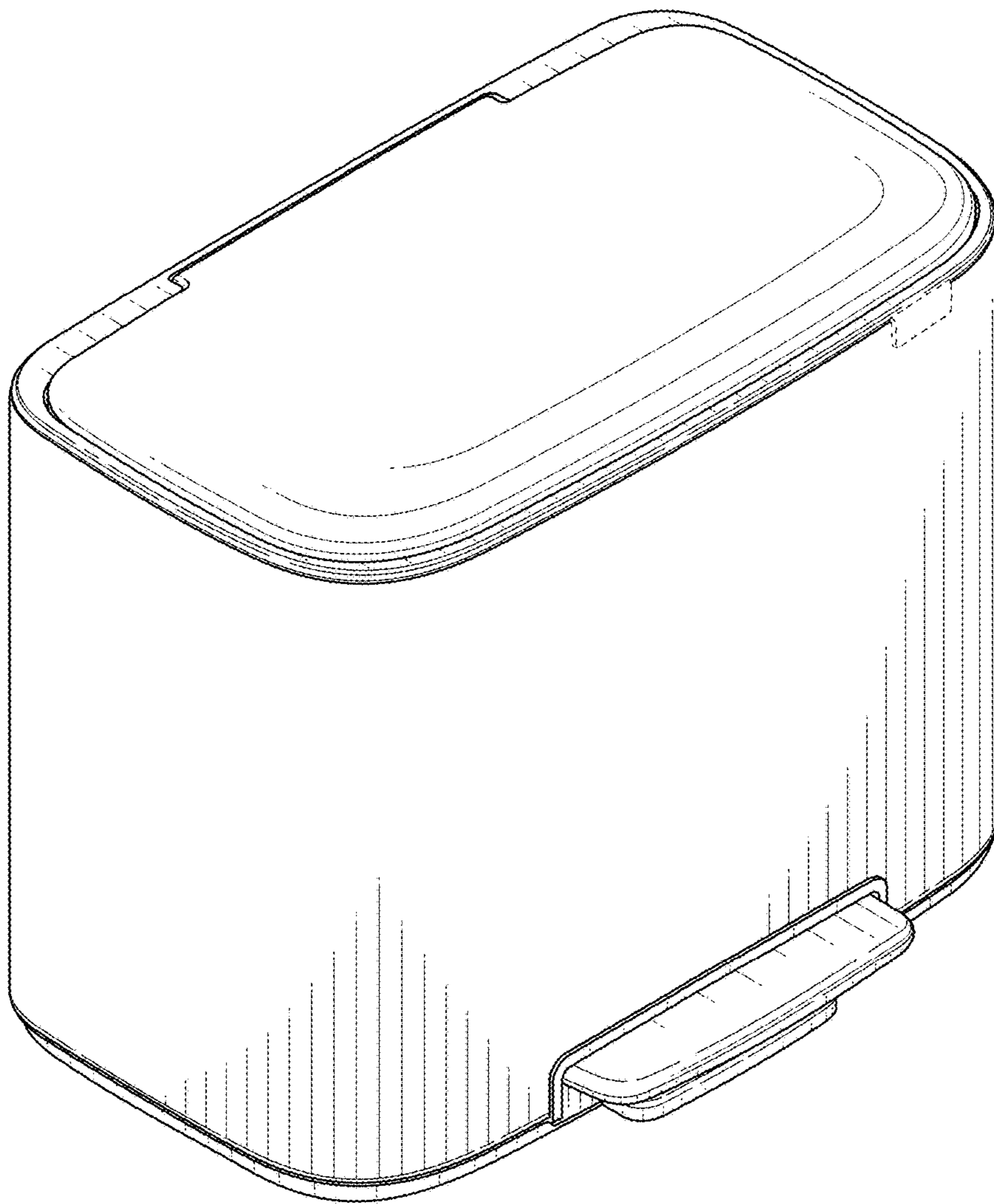


FIG. 1

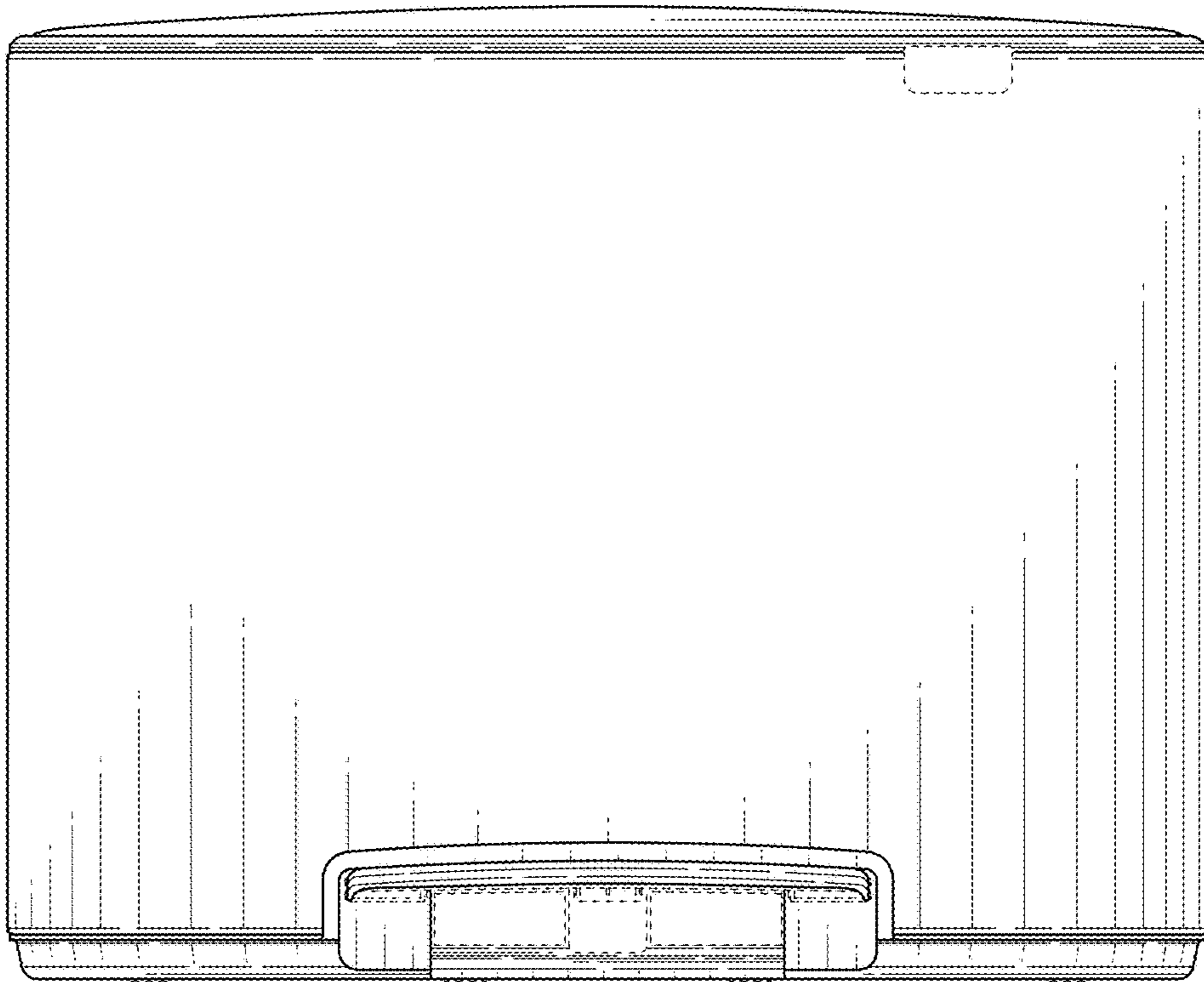


FIG. 2

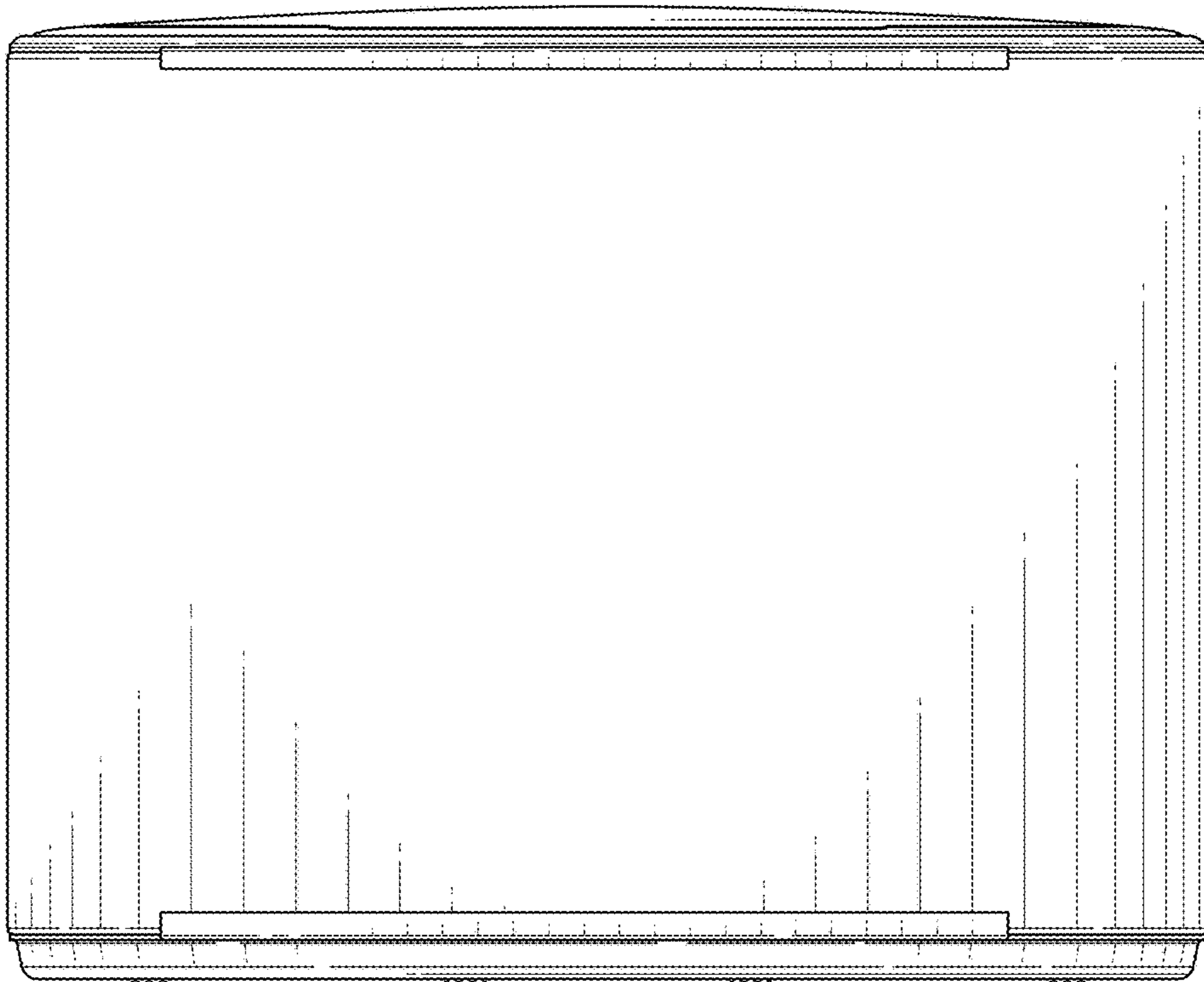


FIG. 3

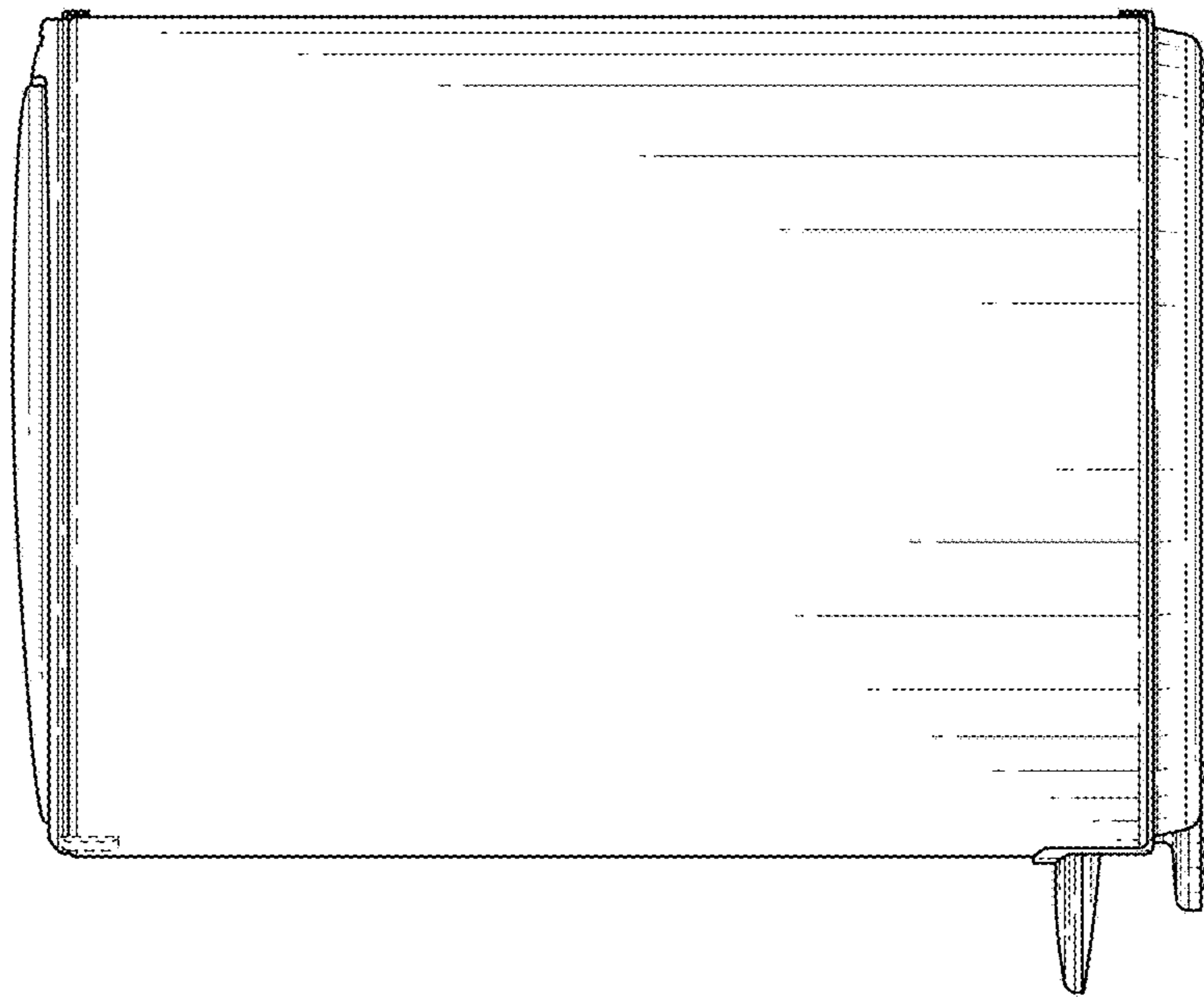


FIG. 5

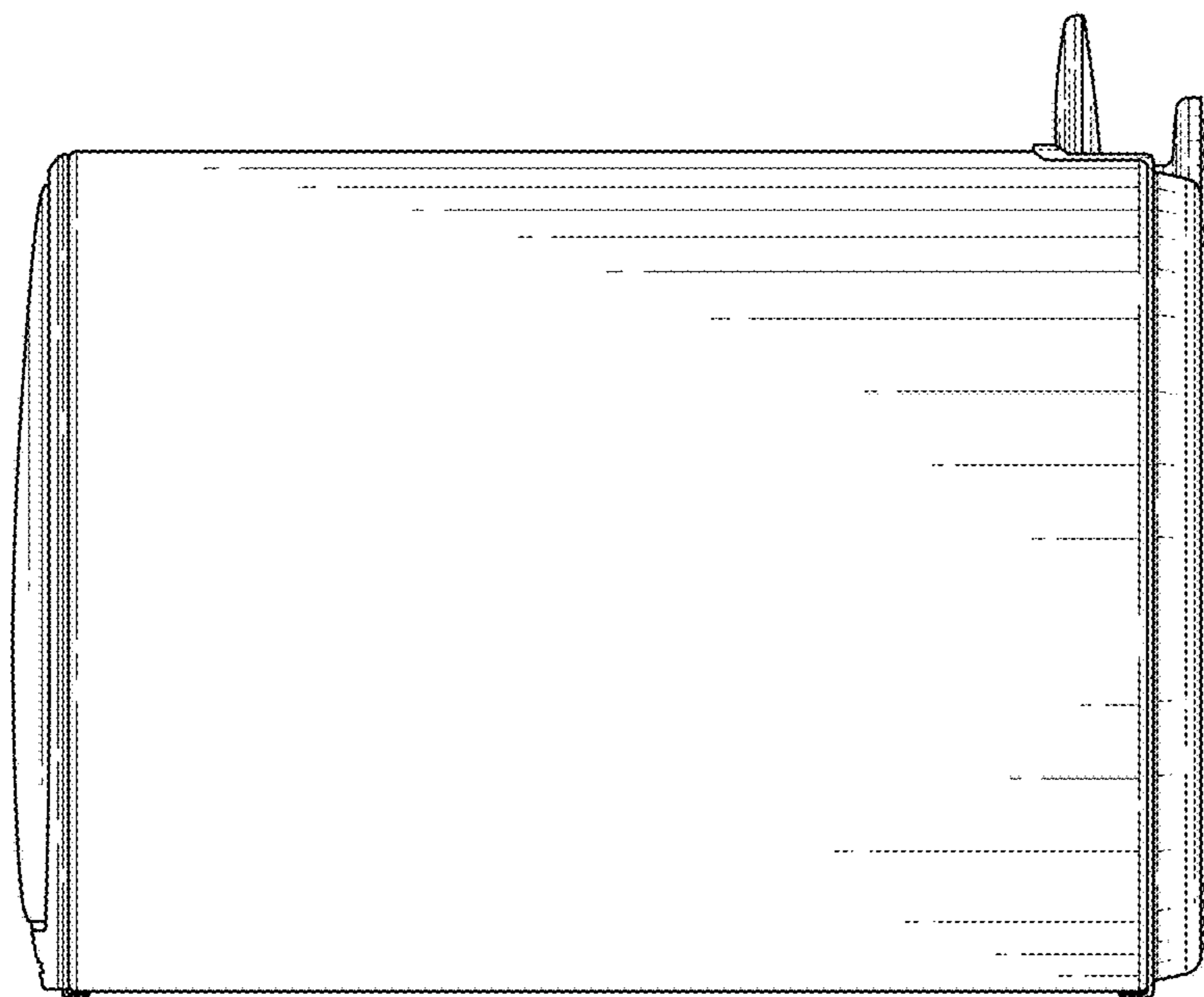


FIG. 4

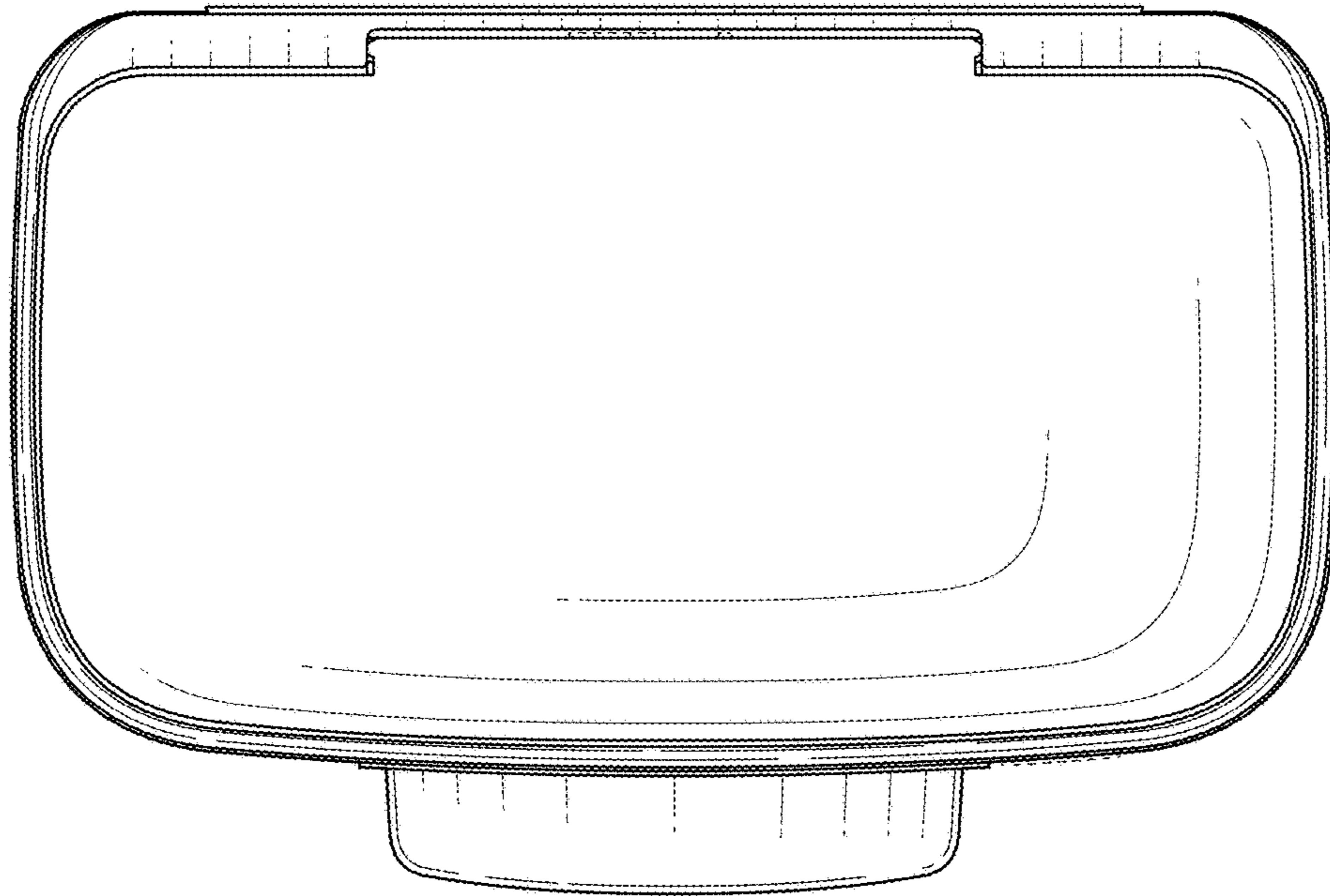


FIG. 6

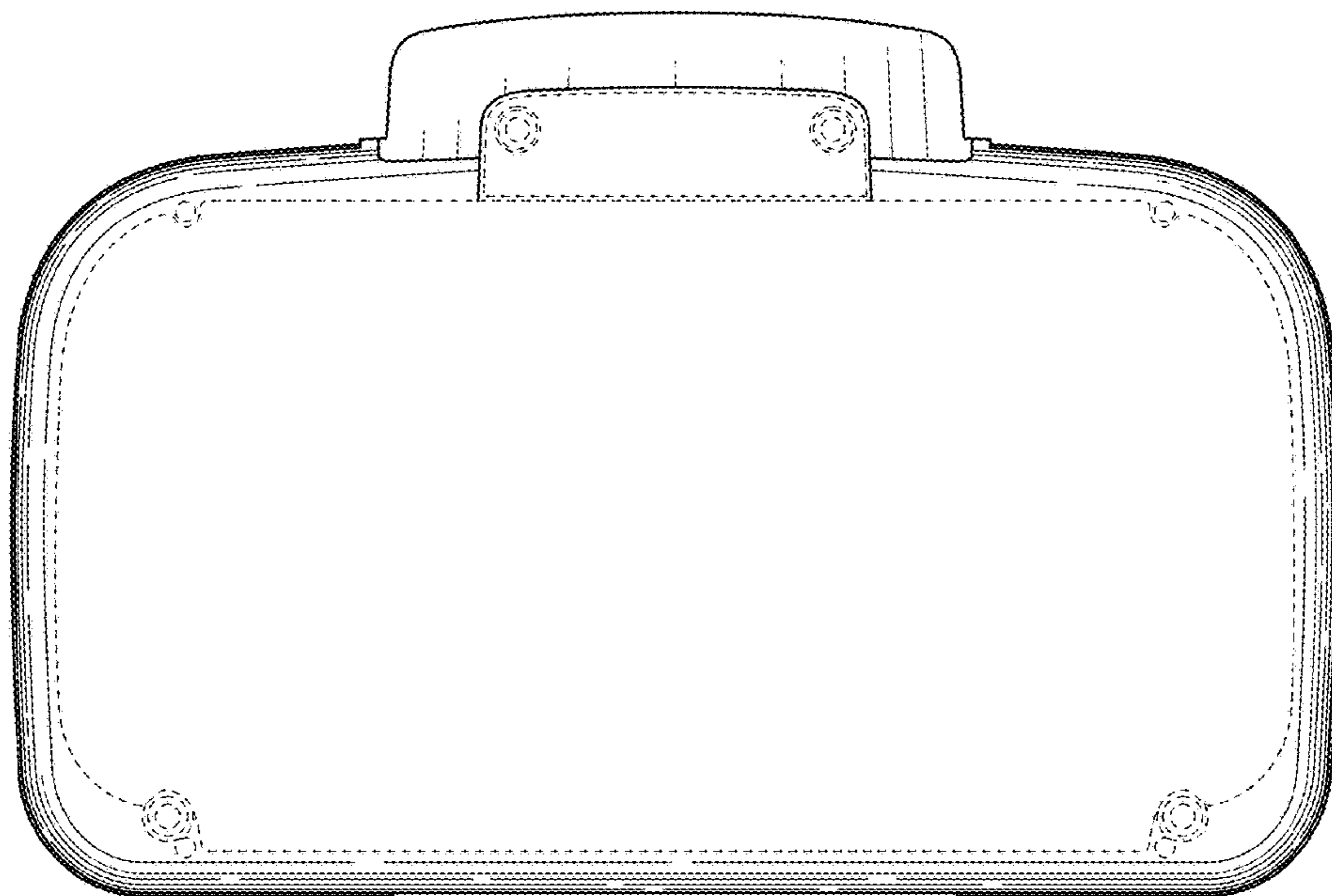


FIG. 7