



US00D842572S

(12) **United States Design Patent** (10) **Patent No.:** **US D842,572 S**
Liao (45) **Date of Patent:** **** Mar. 5, 2019**

(54) **TRASH CAN**

(71) Applicant: **Jiangmen Foreign Trade Group Co., Ltd.**, Jiangmen, Guangdong Province (CN)

(72) Inventor: **Henry Liao**, Jiangmen (CN)

(73) Assignee: **JIANGMEN FOREIGN TRADE GROUP CO., LTD.**, Jiangmen, Guangdong Province (CN)

6,386,386 B1 5/2002 George
6,626,316 B2 9/2003 Yang
6,626,317 B2 9/2003 Pfiefer
7,086,550 B2 8/2006 Yang
D537,600 S 2/2007 Lin
D555,318 S * 11/2007 Lin D34/9
D584,468 S 1/2009 Liao
D591,471 S 4/2009 Lee
D595,468 S 6/2009 Liao
D595,917 S 7/2009 Liao
D615,722 S * 5/2010 Yang D34/7
D620,667 S 7/2010 Liao
D656,699 S * 3/2012 Liao D34/9

(**) Term: **15 Years**

(21) Appl. No.: **29/576,241**

(22) Filed: **Sep. 1, 2016**

(30) **Foreign Application Priority Data**

Mar. 21, 2016 (CN) 2016 3 0081491

(51) **LOC (11) Cl.** **09-09**

(52) **U.S. Cl.**
USPC **D34/9**

(58) **Field of Classification Search**
USPC D6/403; D9/737, 738, 770, 772, 778, D9/781; D11/143; D19/77, 99; D23/202, 203, 205; D34/1, 2, 3, 4, 5, 6, D34/7, 8, 9, 10, 11, 39; 220/211, 4.04, 220/484, 495.08, 569, 62.12, 62.13, 703, 220/737, 748, 908.1, 908.2, 908, 909, 220/495.09
CPC B65F 1/163; B65F 7/00
See application file for complete search history.

(56) **References Cited**

U.S. PATENT DOCUMENTS

4,982,857 A 1/1991 Sher
5,072,852 A * 12/1991 Smith B30B 9/321
220/908.1
D355,740 S * 2/1995 Kirchner D34/1
5,662,235 A 9/1997 Nieto

(Continued)

OTHER PUBLICATIONS

U.S. Appl. No. 29/526,335, filed May 8, 2015, Liao, Henry.
U.S. Appl. No. 29/560,501, filed Apr. 7, 2016, Liao, Henry.

Primary Examiner — Cynthia Ramirez

Assistant Examiner — Michael A Maharajh

(74) *Attorney, Agent, or Firm* — Daniel F. Nesbitt; Hasse & Nesbitt LLC

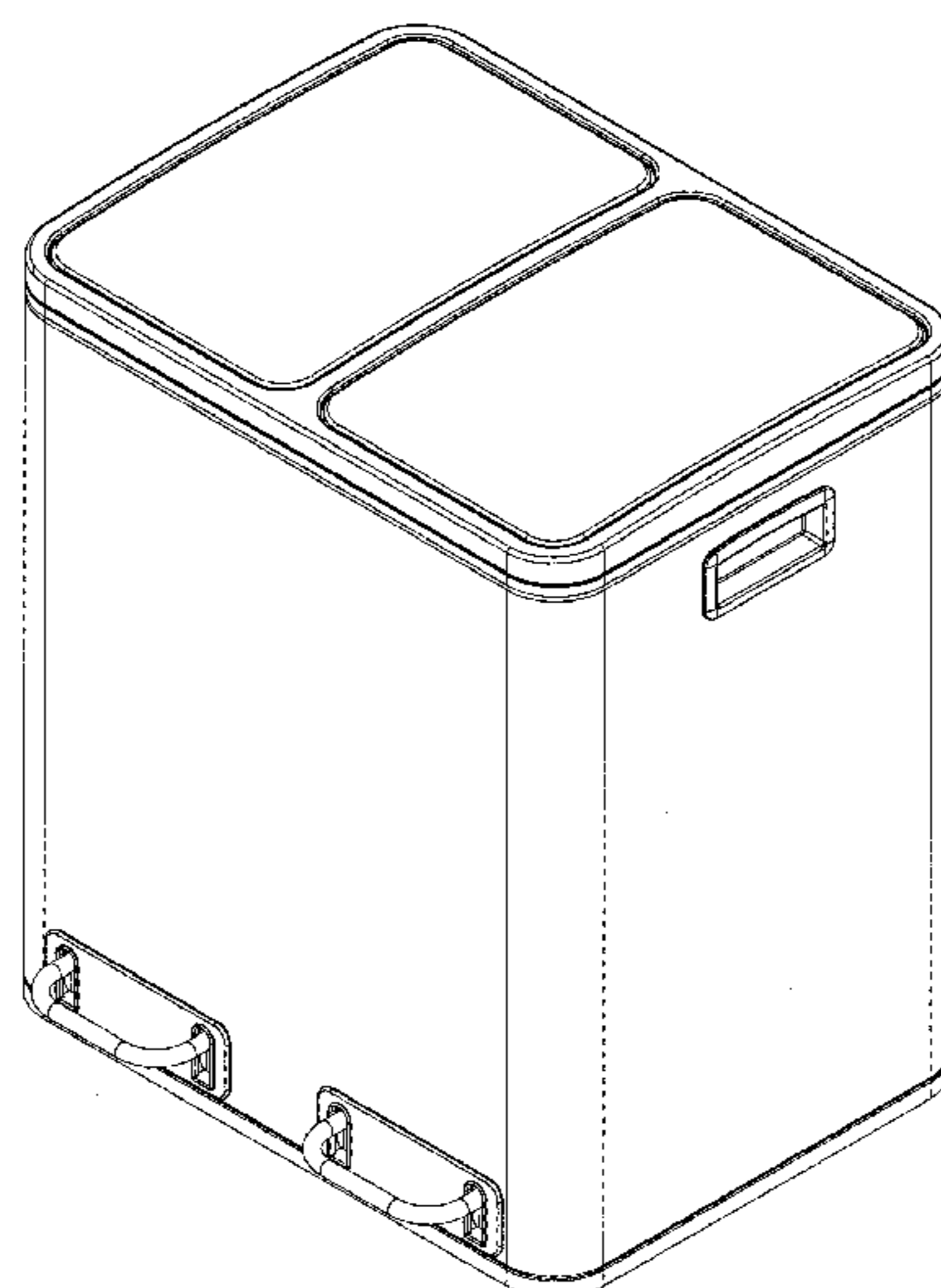
(57) **CLAIM**

I claim the ornamental design for a trash can, as shown and described.

DESCRIPTION

FIG. 1 is a perspective view of the trash can, showing my new design;
FIG. 2 is a front view thereof;
FIG. 3 is a back view thereof;
FIG. 4 is a right side view of the trash can, the left side view being a mirror image thereof;
FIG. 5 is a top plan view of the trash can thereof; and,
FIG. 6 is a bottom plan view of the trash can thereof.
The broken lines shown in the figures are for the purpose of illustrating portions of the trash can and form no part of the claimed design.

1 Claim, 6 Drawing Sheets



(56)

References Cited

U.S. PATENT DOCUMENTS

D657,108 S	*	4/2012	Yang	D34/7
D714,009 S		9/2014	Phillips	
D729,485 S	*	5/2015	Yang	D34/1
D762,037 S	*	7/2016	Chen	D34/7

* cited by examiner

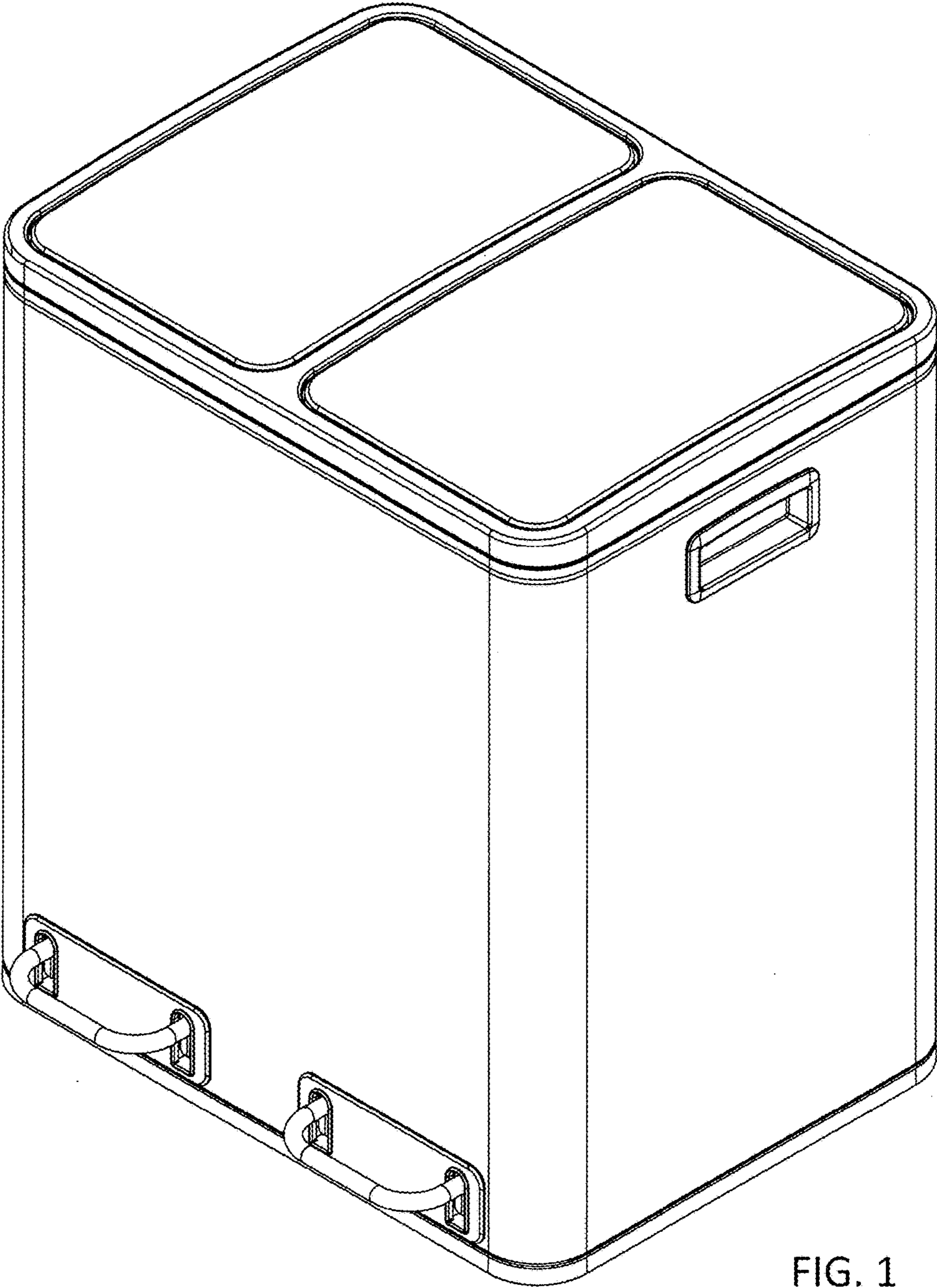


FIG. 1

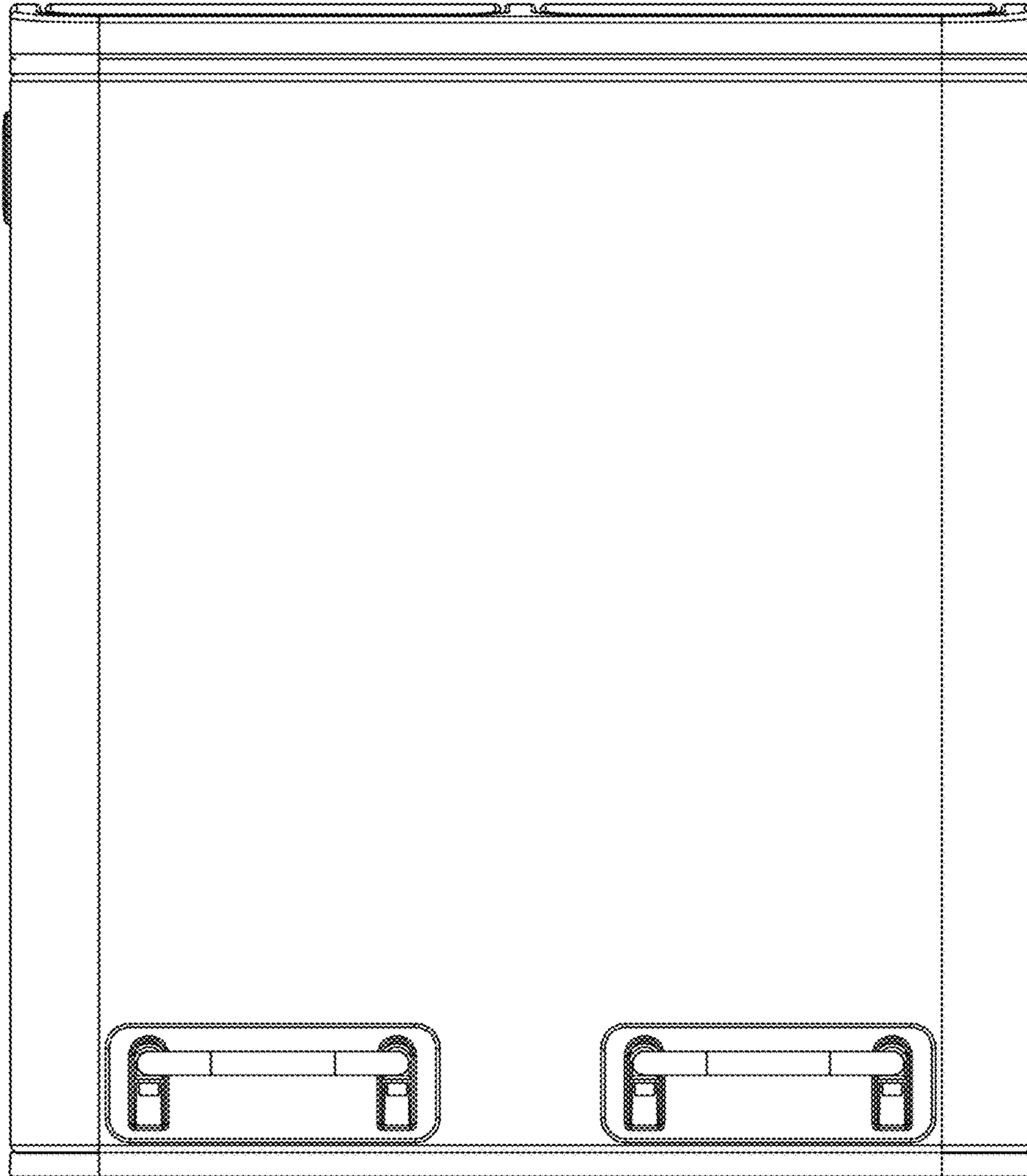


FIG. 2

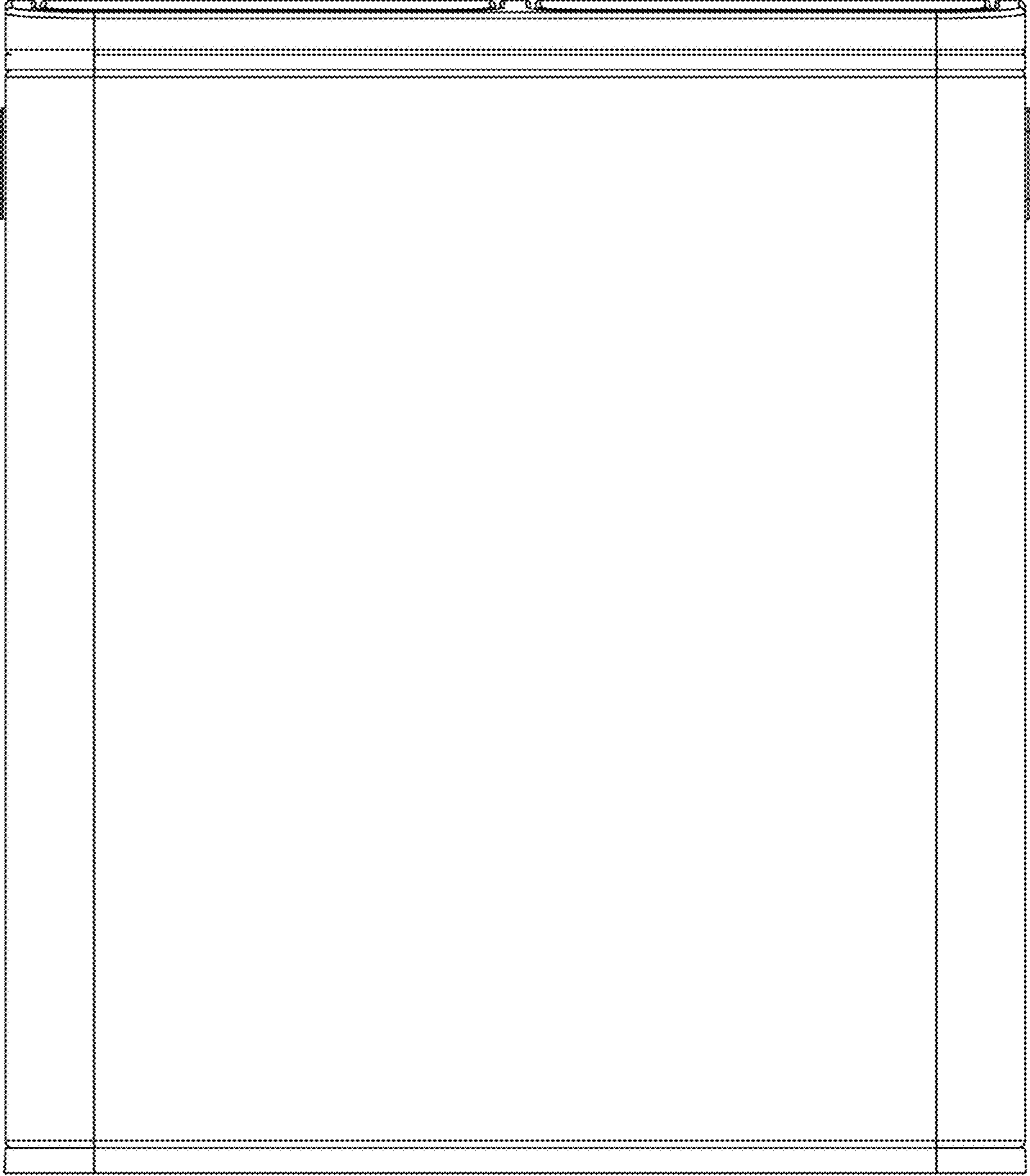


FIG. 3

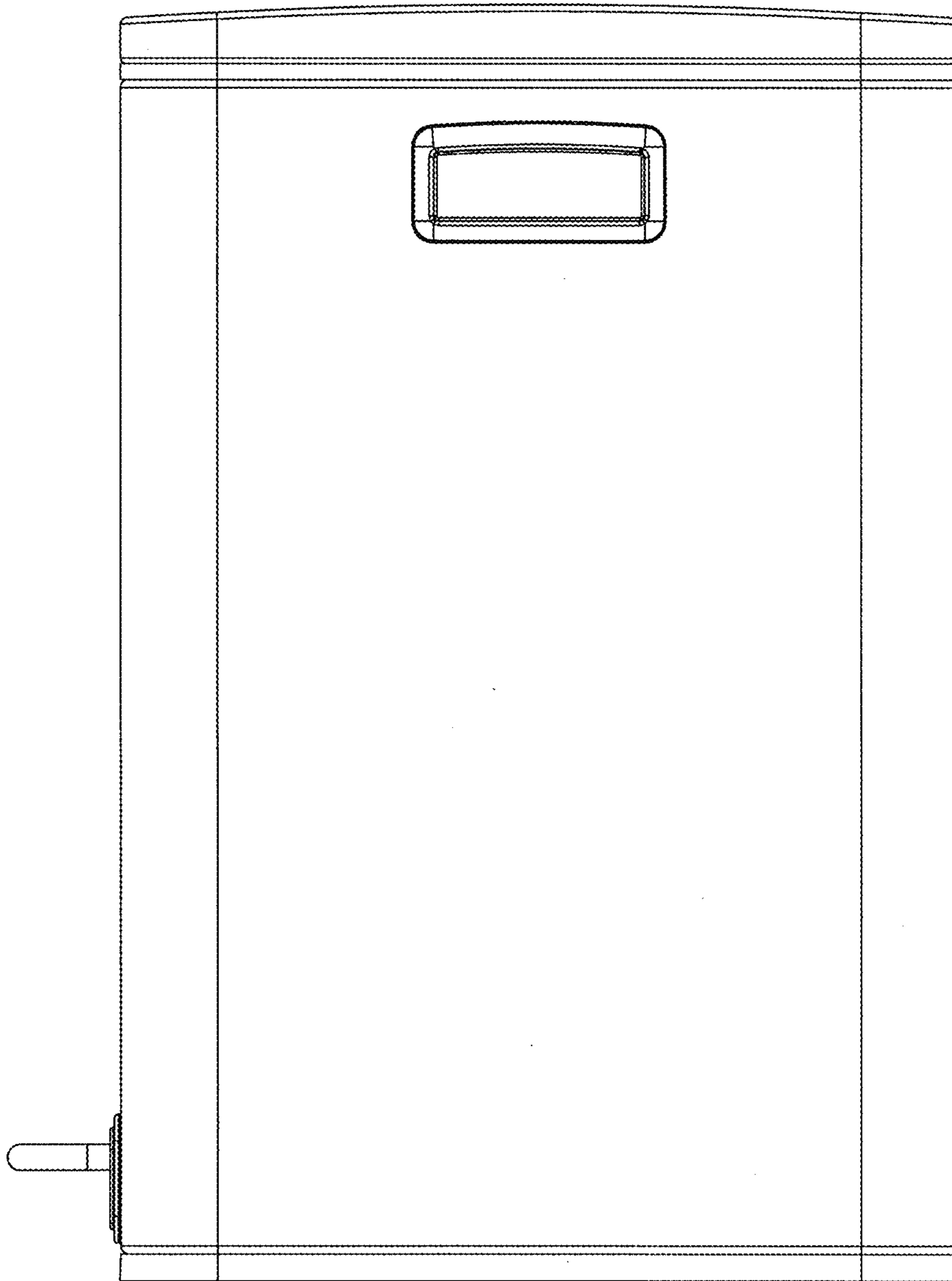


FIG. 4

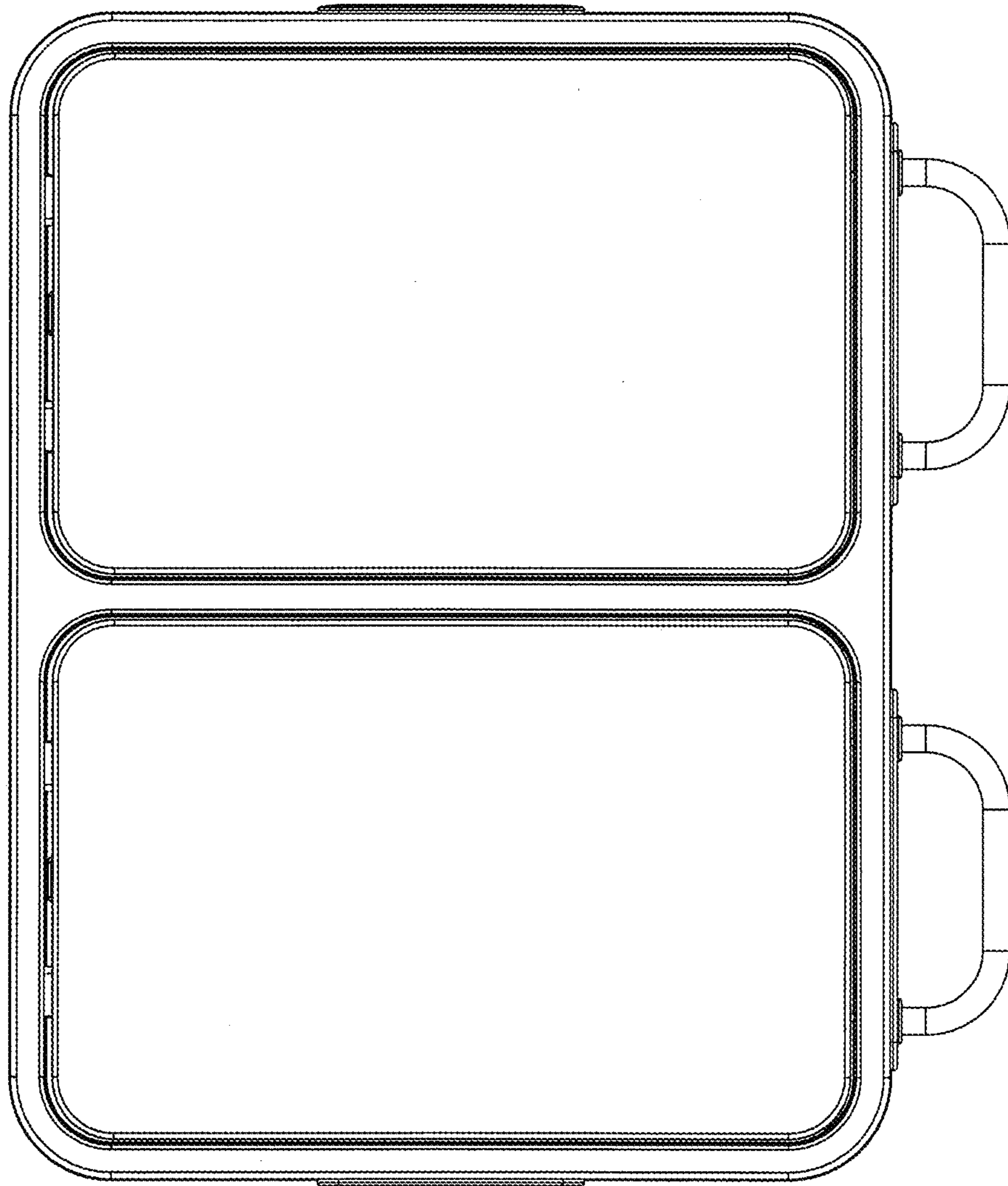


FIG. 5

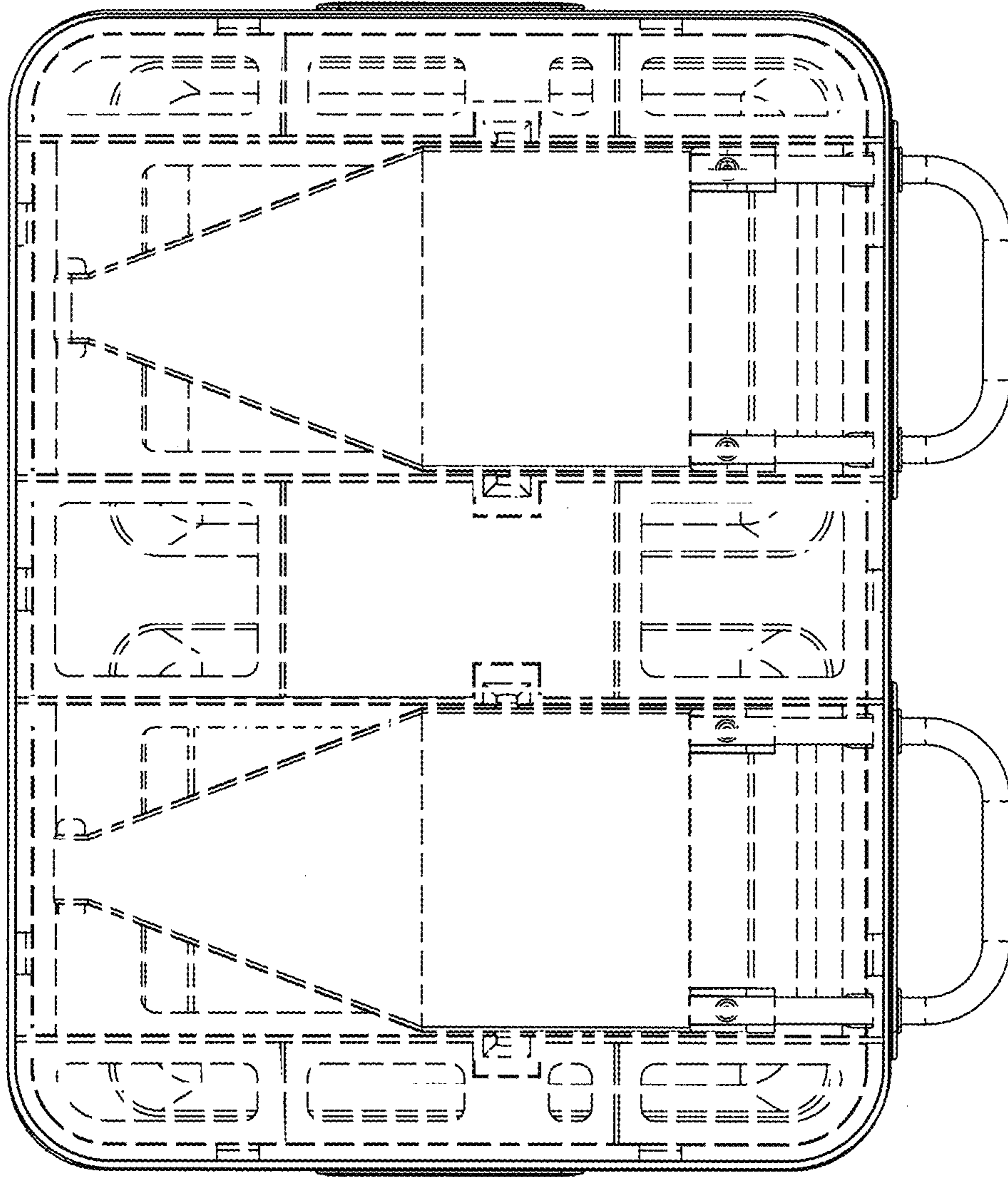


FIG. 6