



US00D842564S

(12) **United States Design Patent**  
**Dou et al.**

(10) **Patent No.:** **US D842,564 S**

(45) **Date of Patent:** **\*\* Mar. 5, 2019**

(54) **CLEANING ELEMENT FOR A ROBOTIC VACUUM**

(71) Applicant: **BEIJING XIAOMI MOBILE SOFTWARE CO., LTD.**, Haidian District, Beijing (CN)

(72) Inventors: **Wenbo Dou**, Beijing (CN); **Ningning Li**, Beijing (CN)

(73) Assignee: **BEIJING XIAOMI MOBILE SOFTWARE CO., LTD.**, Beijing (CN)

(\*\*) Term: **15 Years**

(21) Appl. No.: **29/615,879**

(22) Filed: **Aug. 31, 2017**

(51) **LOC (11) Cl.** ..... **15-05**

(52) **U.S. Cl.**  
USPC ..... **D32/31**

(58) **Field of Classification Search**  
USPC ..... D32/31–34, 20–22, 38–39, 45; D15/138, D15/126; D8/70  
CPC ..... A47L 9/02; A47L 9/04; A47L 9/06; A47L 9/0477; A47L 9/2842; A47L 9/0693; A47L 9/0444; A47L 9/0461; A47L 9/325; A47L 9/28; A47L 5/362; A47L 5/365; A47L 5/325; A47L 5/28; A47L 5/30; A47L 5/34; A47L 5/36; A47L 5/02; A47L 5/24; A47L 11/4044; E04H 4/1654; A46B 13/001; E01H 1/0854; B24B 55/06; B23Q 11/0071; B23Q 11/0046; B27C 5/10

See application file for complete search history.

(56) **References Cited**

U.S. PATENT DOCUMENTS

|           |      |         |          |       |              |
|-----------|------|---------|----------|-------|--------------|
| 7,441,298 | B2 * | 10/2008 | Svendsen | ..... | A47L 5/30    |
|           |      |         |          |       | 15/49.1      |
| 8,656,544 | B1 * | 2/2014  | Anderson | ..... | A47L 11/22   |
|           |      |         |          |       | 15/383       |
| 8,832,902 | B2 * | 9/2014  | Kim      | ..... | A47L 9/0411  |
|           |      |         |          |       | 15/383       |
| D720,103  | S *  | 12/2014 | Haug     | ..... | D32/21       |
| 9,320,398 | B2 * | 4/2016  | Hussey   | ..... | A47L 5/30    |
| 9,480,379 | B2 * | 11/2016 | Yoon     | ..... | A47L 11/33   |
| 9,480,380 | B2 * | 11/2016 | Yoo      | ..... | A47L 11/4011 |
| 9,826,870 | B2 * | 11/2017 | Gerth    | ..... | A47L 9/0488  |

\* cited by examiner

*Primary Examiner* — Ruth McInroy

(74) *Attorney, Agent, or Firm* — Dickinson Wright PLLC

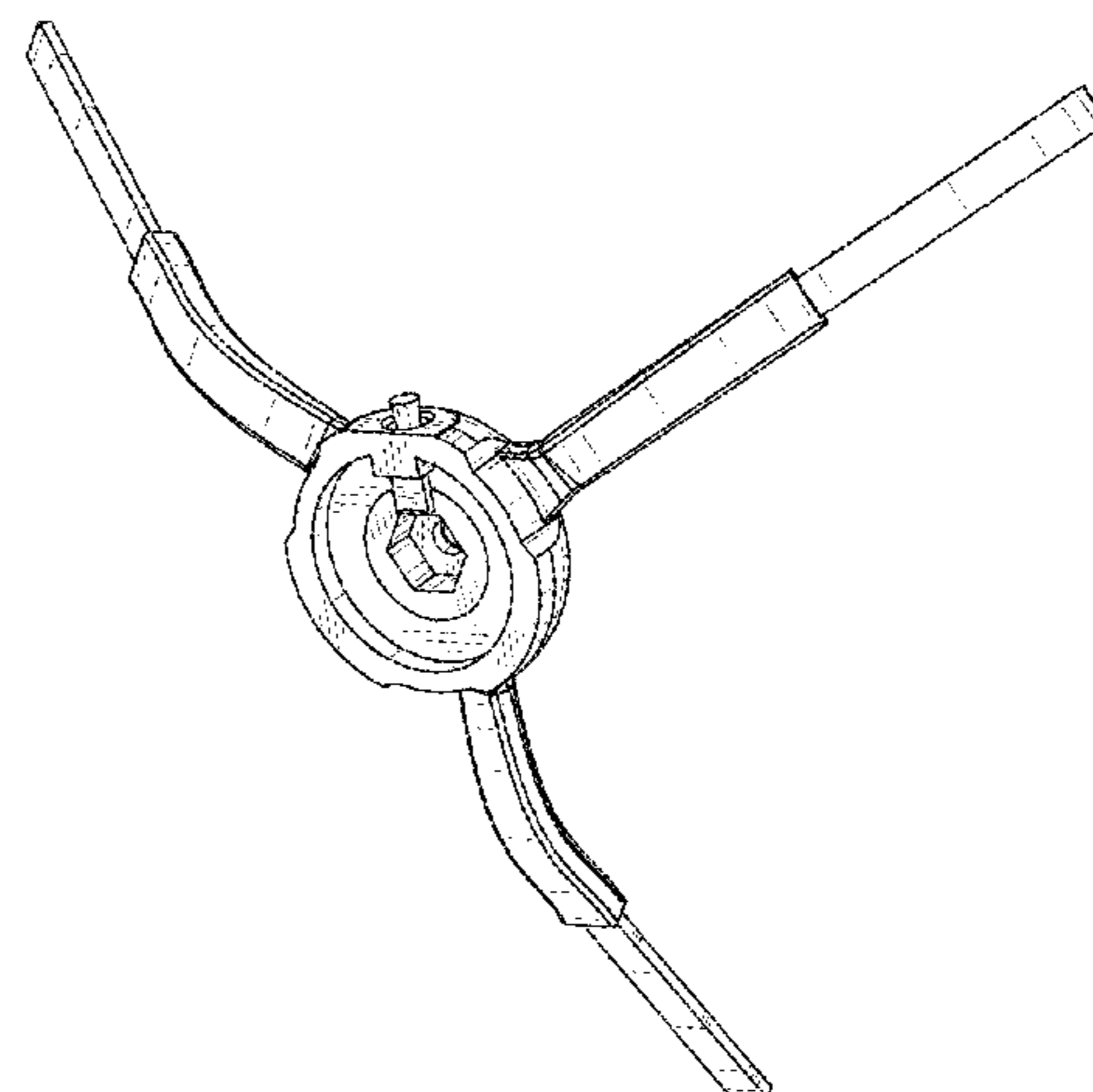
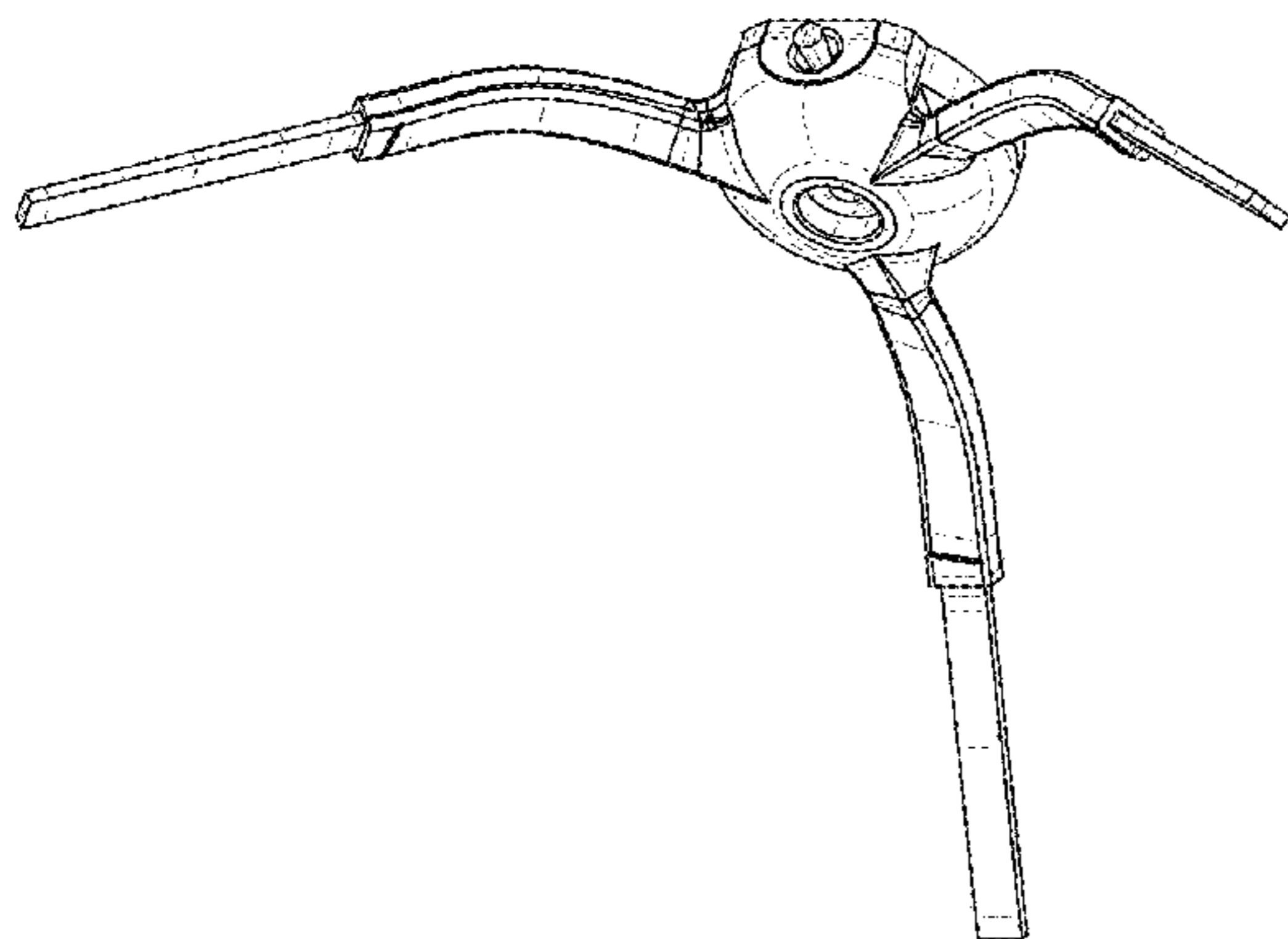
(57) **CLAIM**

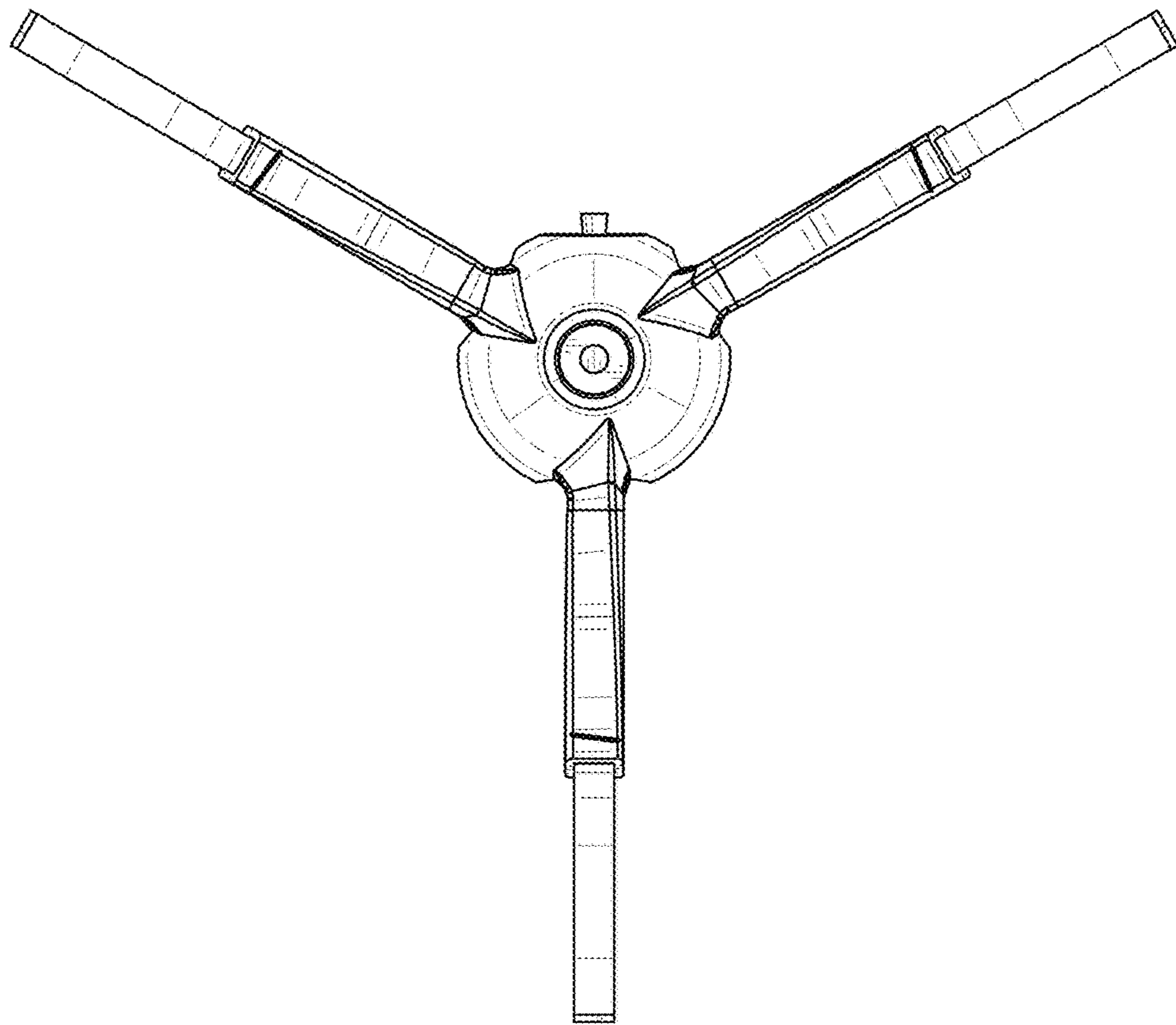
The ornamental design for a cleaning element for a robotic vacuum, as shown and described.

**DESCRIPTION**

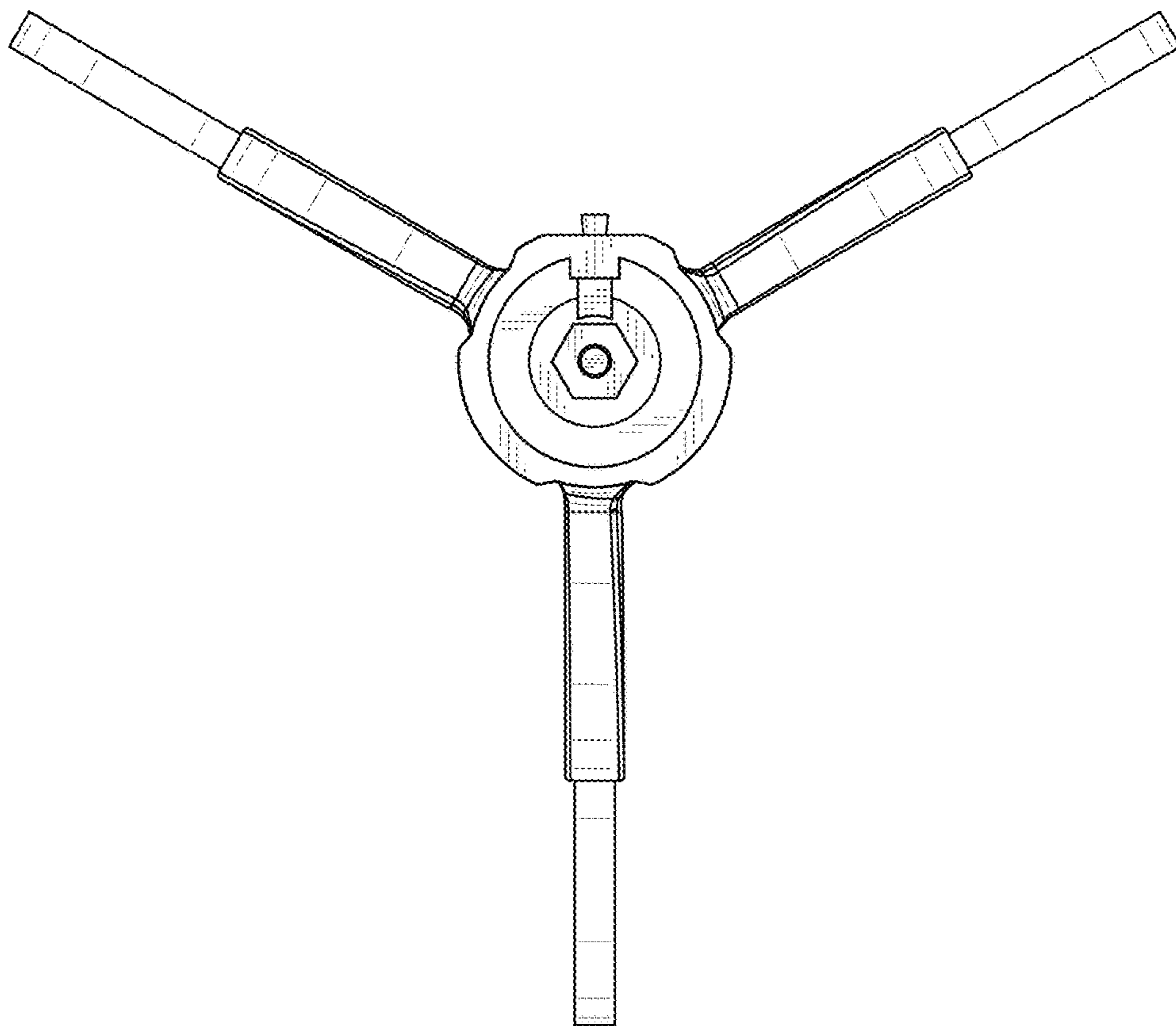
FIG. 1 is a bottom view of a cleaning element for a robotic vacuum showing our new design;  
FIG. 2 is a top view thereof;  
FIG. 3 is a left view thereof;  
FIG. 4 is a right view thereof;  
FIG. 5 is a front view thereof;  
FIG. 6 is a rear view thereof;  
FIG. 7 is a bottom perspective view thereof; and,  
FIG. 8 is a top perspective view thereof.

**1 Claim, 8 Drawing Sheets**

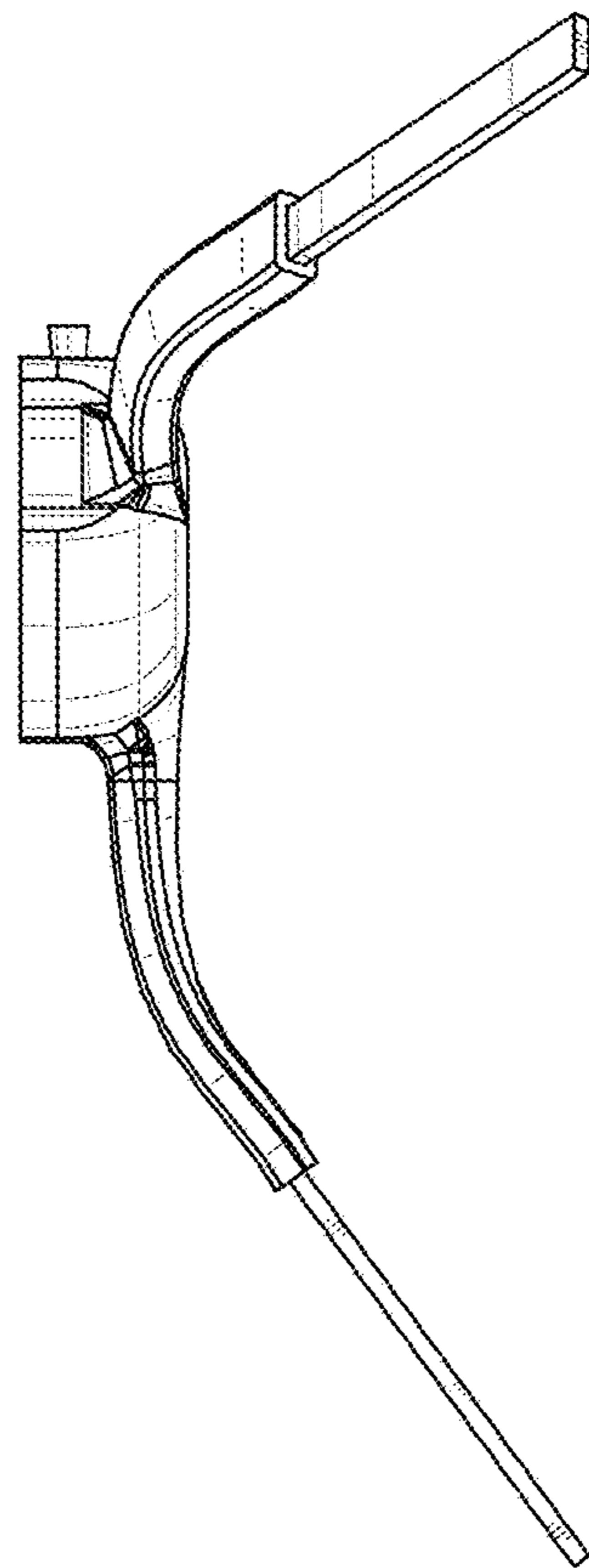




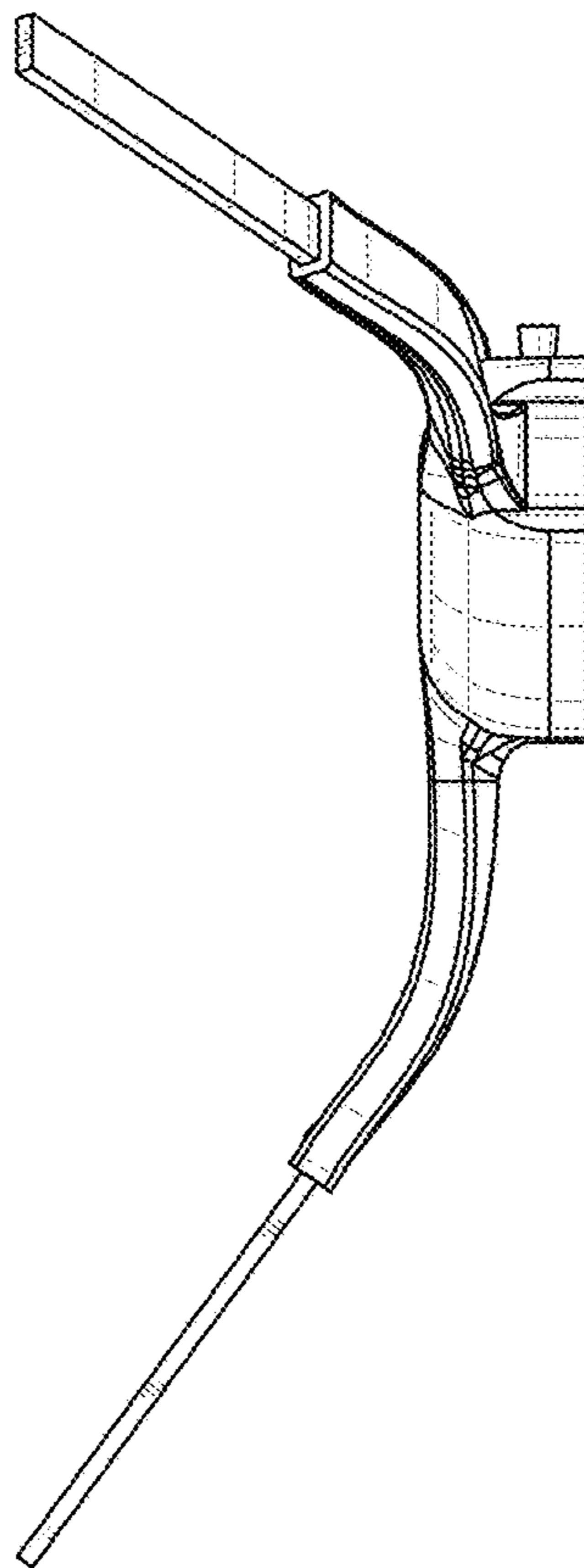
**FIG. 1**



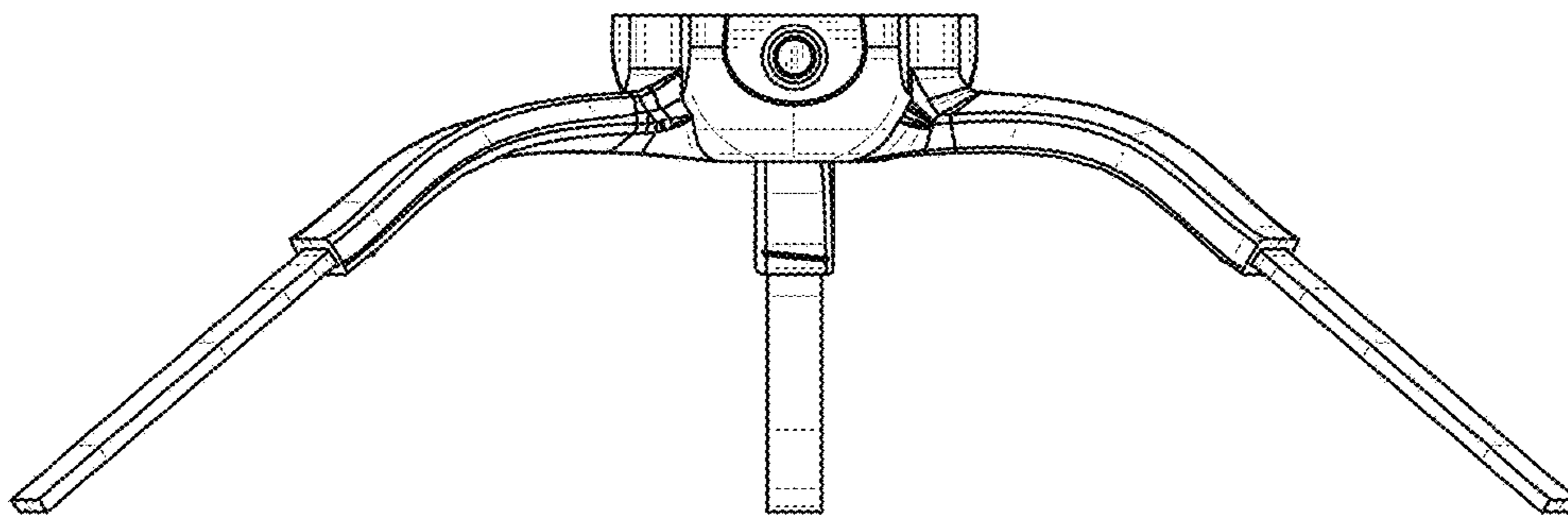
**FIG. 2**



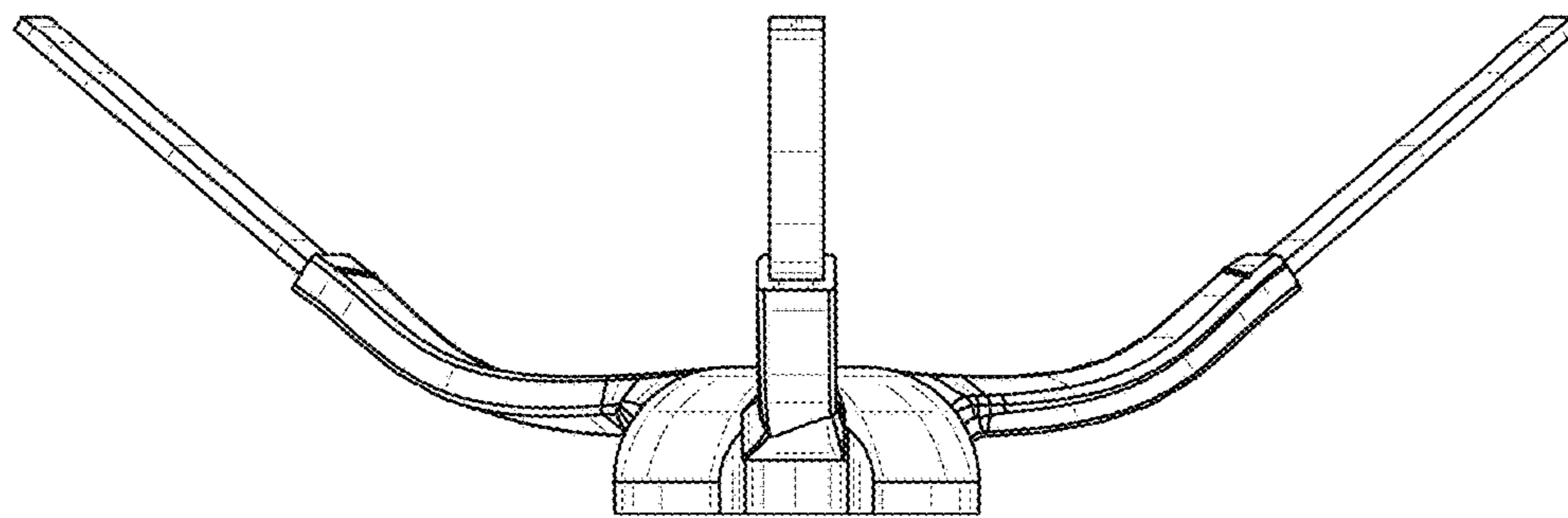
**FIG. 3**



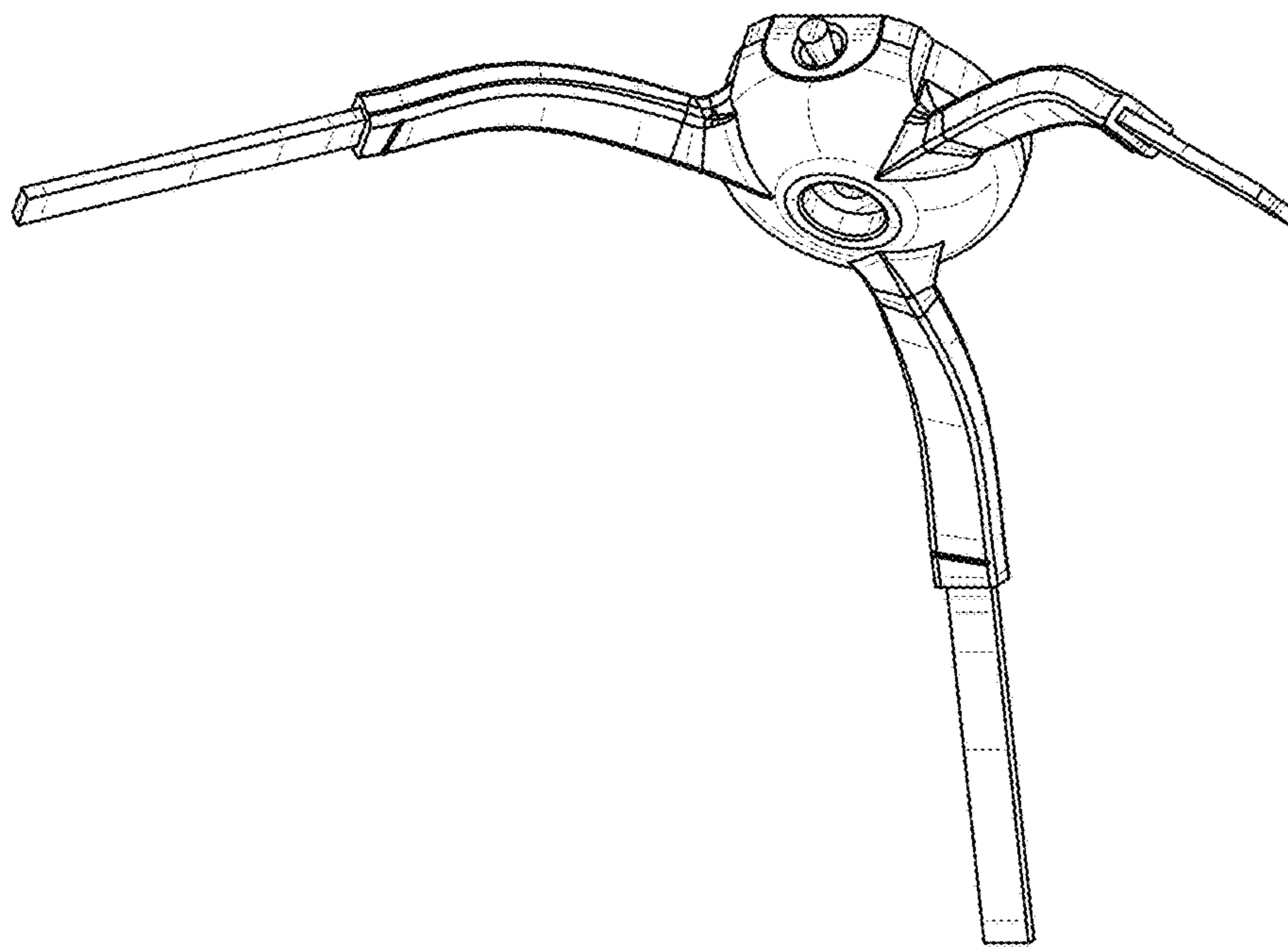
**FIG. 4**



**FIG. 5**

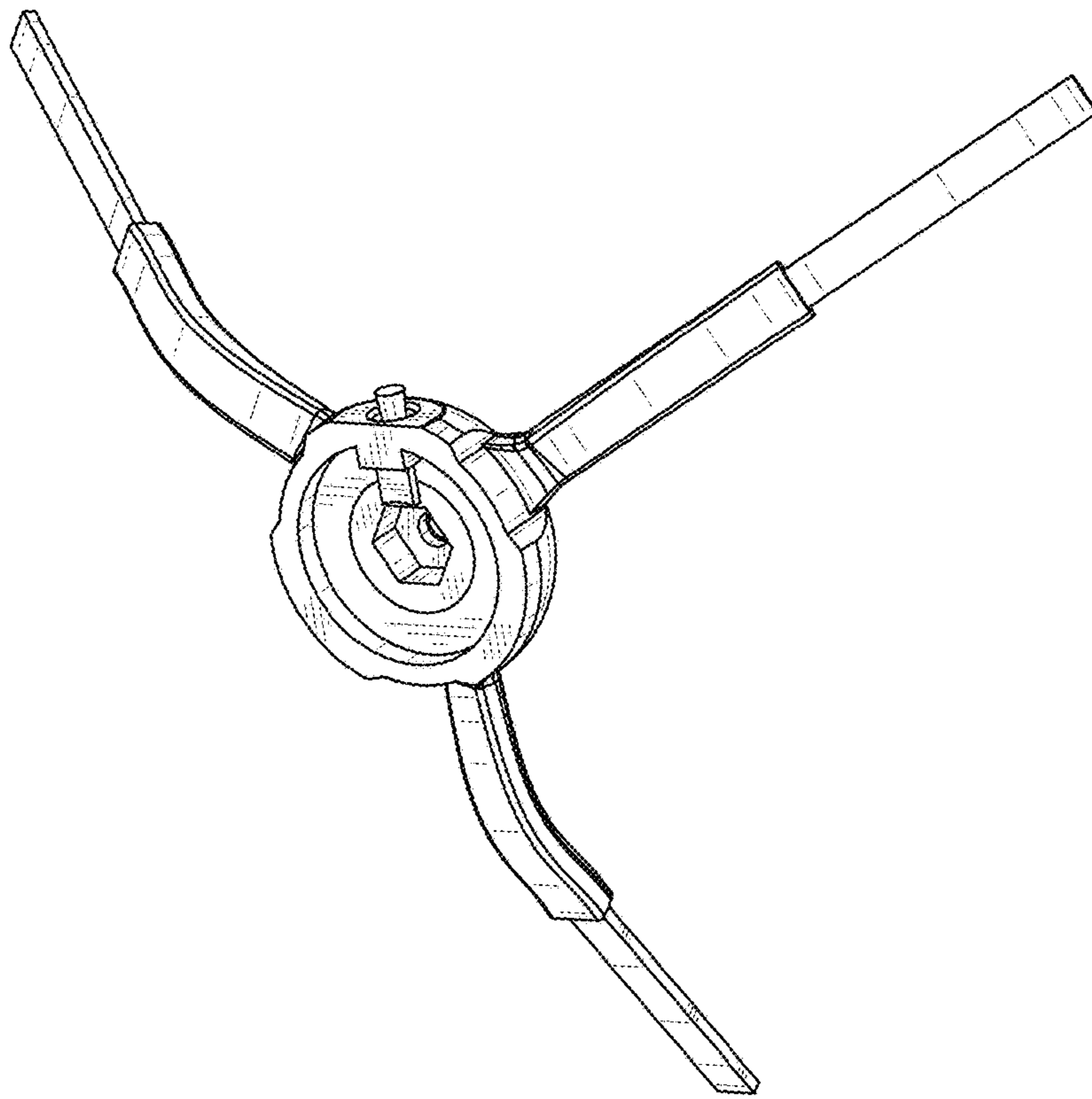


**FIG. 6**



**FIG. 7**





**FIG. 8**