



US00D842562S

(12) **United States Design Patent**  
**McCallister**

(10) **Patent No.:** **US D842,562 S**

(45) **Date of Patent:** **\*\* Mar. 5, 2019**

(54) **APPLIANCE DOOR HOLDER**

(71) Applicant: **DPX Distribution, LLC**, Phoenix, AZ  
(US)

(72) Inventor: **Steven C. McCallister**, Phoenix, AZ  
(US)

(73) Assignee: **DPX Distribution, LLC**, Phoenix, AZ  
(US)

(\*\*) Term: **15 Years**

(21) Appl. No.: **29/625,437**

(22) Filed: **Nov. 9, 2017**

(51) **LOC (11) Cl.** ..... **15-05**

(52) **U.S. Cl.**

USPC ..... **D32/25; D8/402**

(58) **Field of Classification Search**

USPC ... D32/1, 14, 25, 34, 35, 15, 17, 18, 31, 39,  
D32/49, 51, 52, 71, 72; D23/223, 224;  
D6/524; D28/7; 4/255.05, 255.01,  
4/255.12, 255.09, 255.11; 15/406,  
15/104.05, 104.31, 104.32, 104.33;  
D8/51, 70

CPC .. E03D 9/00; E03C 1/30; E03C 1/308; A47K  
11/10; E03F 9/005; B08B 9/045

See application file for complete search history.

(56) **References Cited**

**U.S. PATENT DOCUMENTS**

D345,234 S \* 3/1994 Iorli ..... D32/31  
D488,271 S \* 4/2004 Schroter ..... D32/31

6,854,216 B2 \* 2/2005 Ahrens ..... E04H 3/123  
52/183  
D577,165 S \* 9/2008 Quance ..... D32/34  
7,513,008 B2 \* 4/2009 Tucker ..... A47L 5/18  
15/320  
D611,665 S \* 3/2010 Braithwaite ..... D32/18  
D635,453 S \* 4/2011 Giles ..... D8/402

\* cited by examiner

*Primary Examiner* — Garth Rademaker

*Assistant Examiner* — Laura H Yu

(57) **CLAIM**

The ornamental design for an appliance door holder, as shown and described.

**DESCRIPTION**

FIG. 1 is a perspective view of an appliance door holder showing my new design.

FIG. 2 is a top plan view thereof.

FIG. 3 is a left side elevational view thereof.

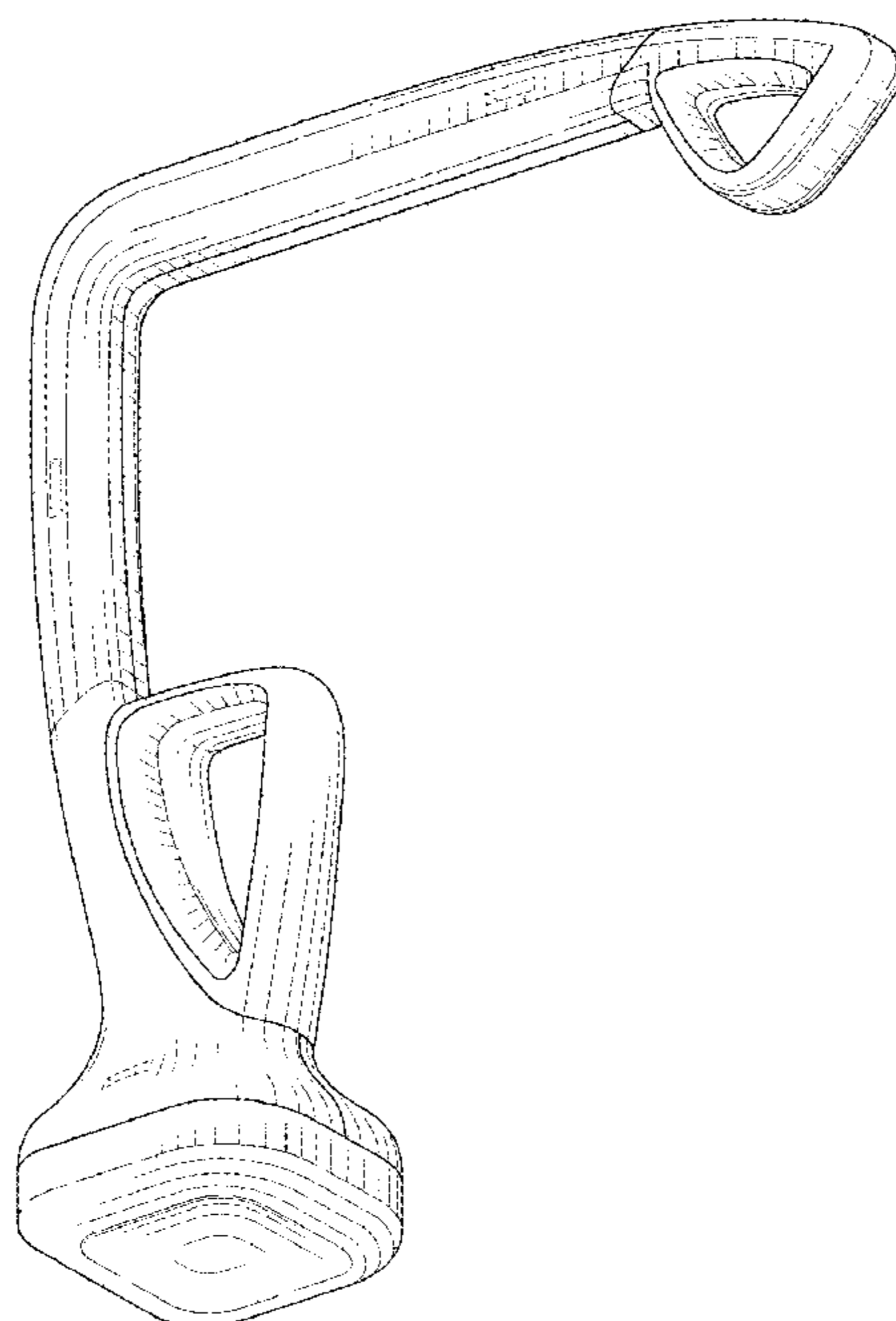
FIG. 4 is a front elevational view thereof, the rear view being a mirror image thereof.

FIG. 5 is a right side elevational view thereof; and,

FIG. 6 is a bottom plan view thereof.

The broken lines illustrating portions of the appliance door holder are for the purpose of illustrating portions that form no part of the claimed design.

**1 Claim, 4 Drawing Sheets**



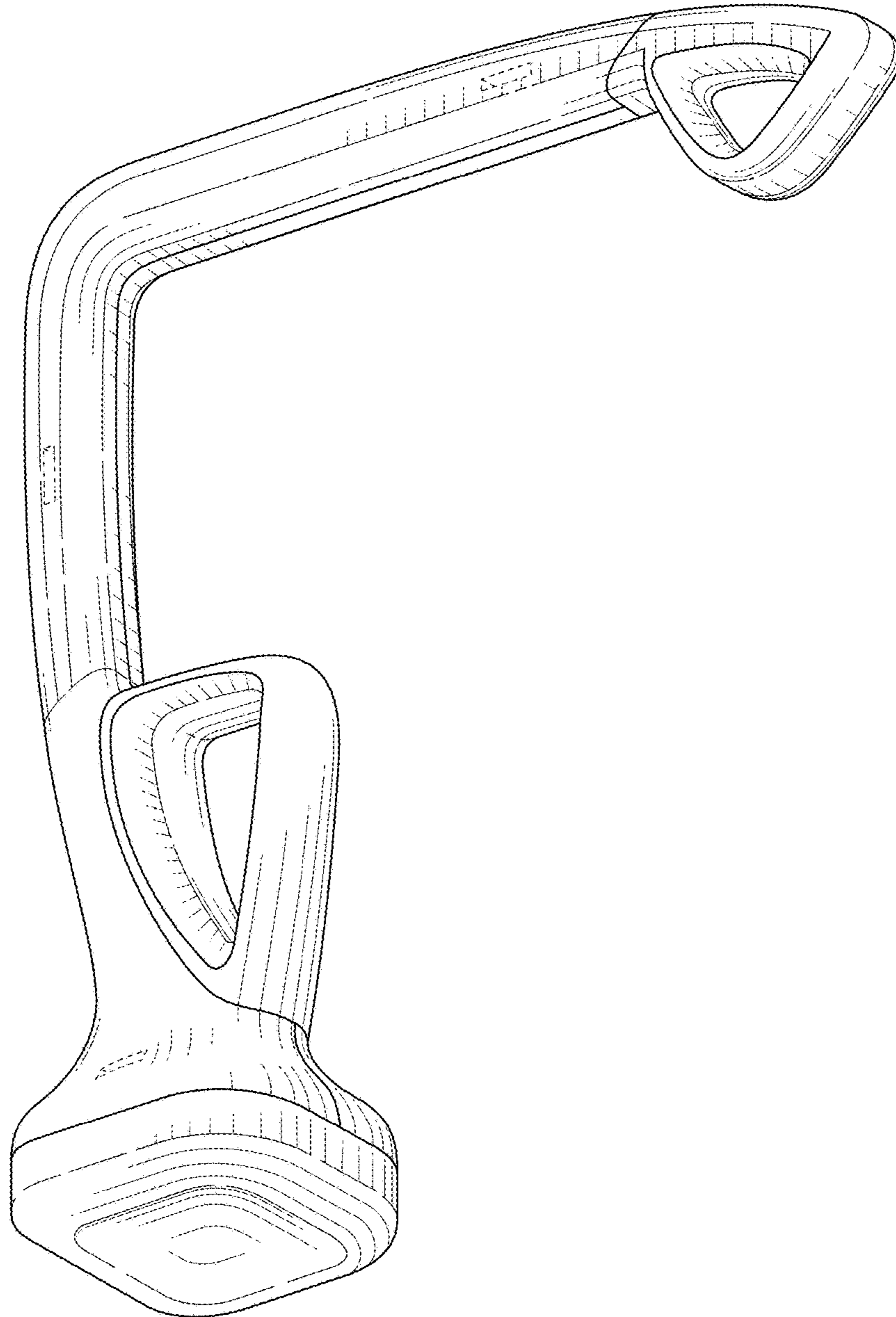


FIG. 1

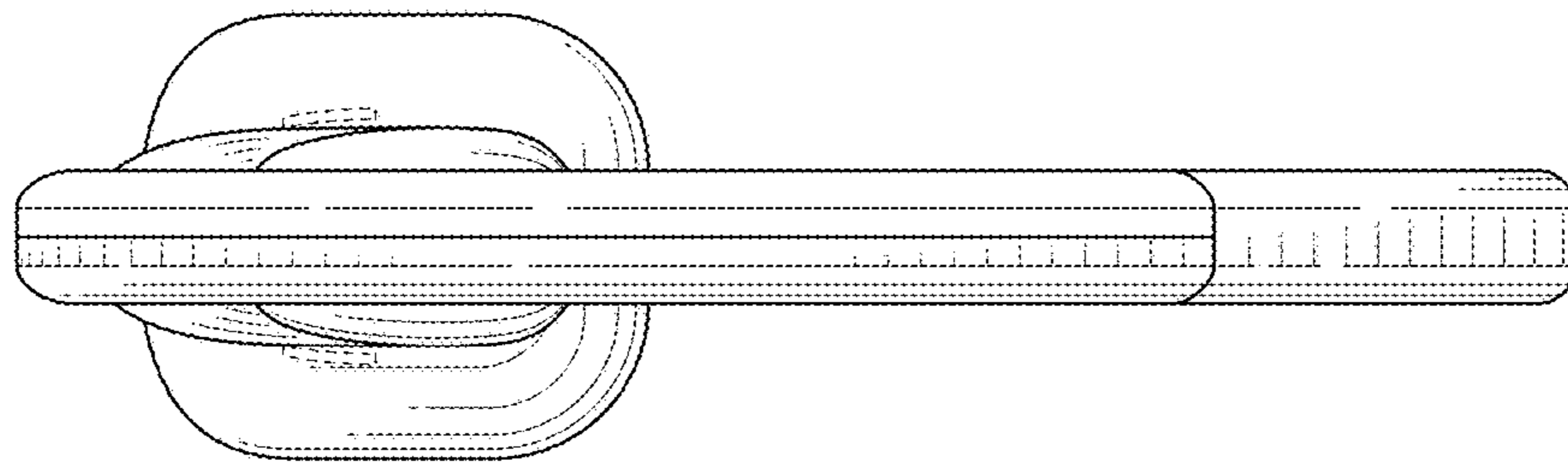


FIG. 2

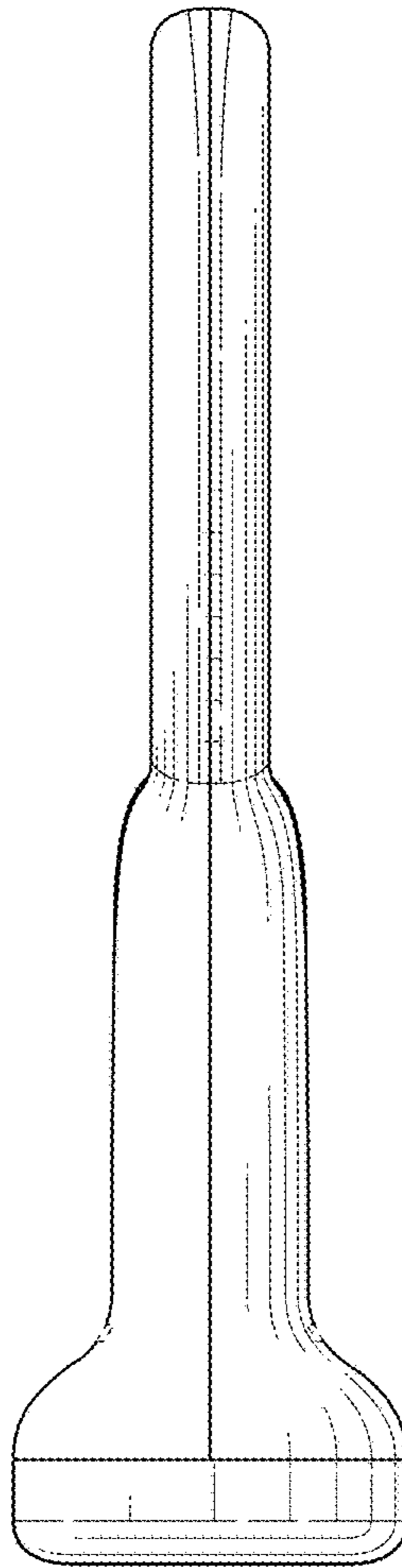


FIG. 3

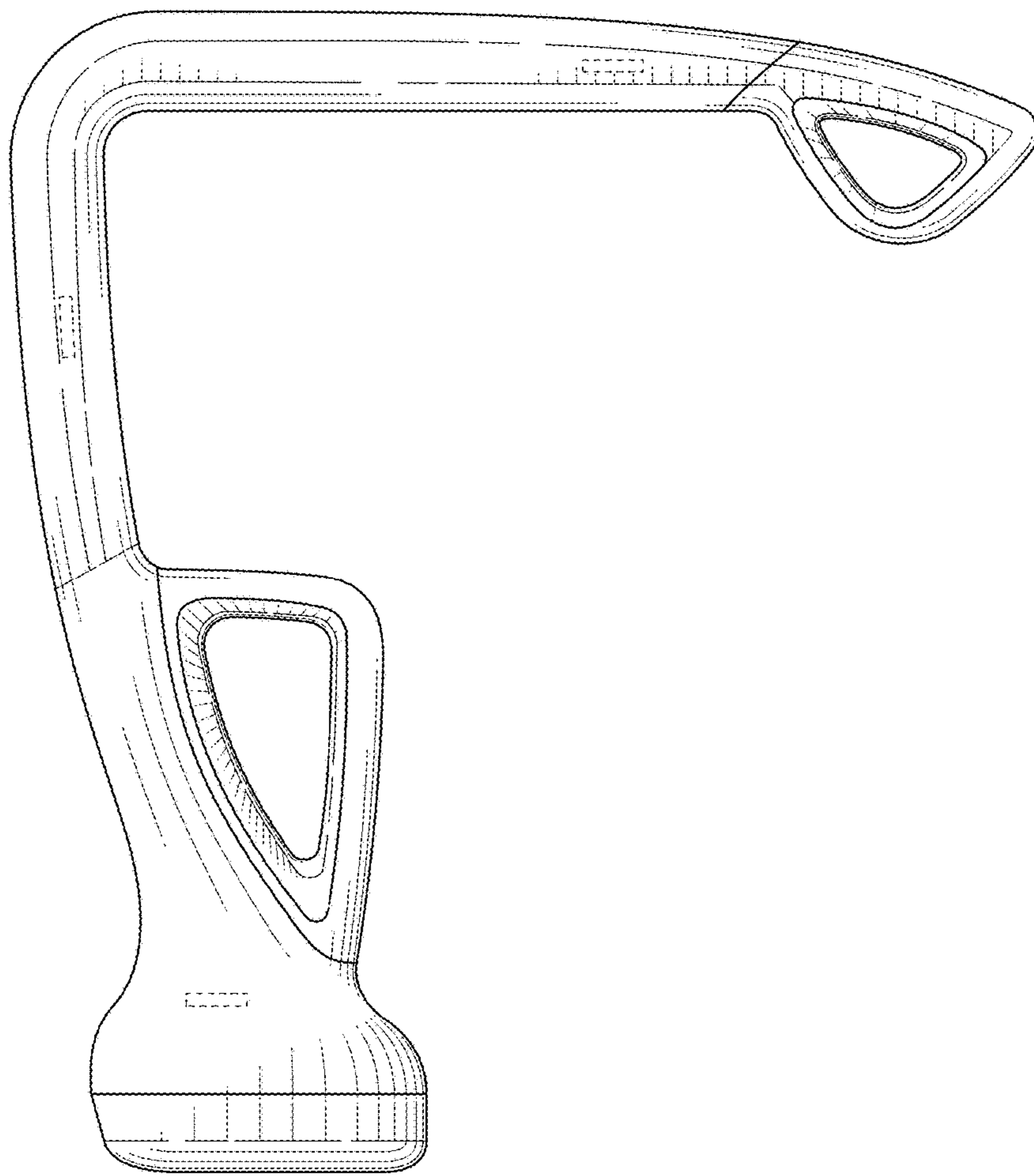


FIG. 4

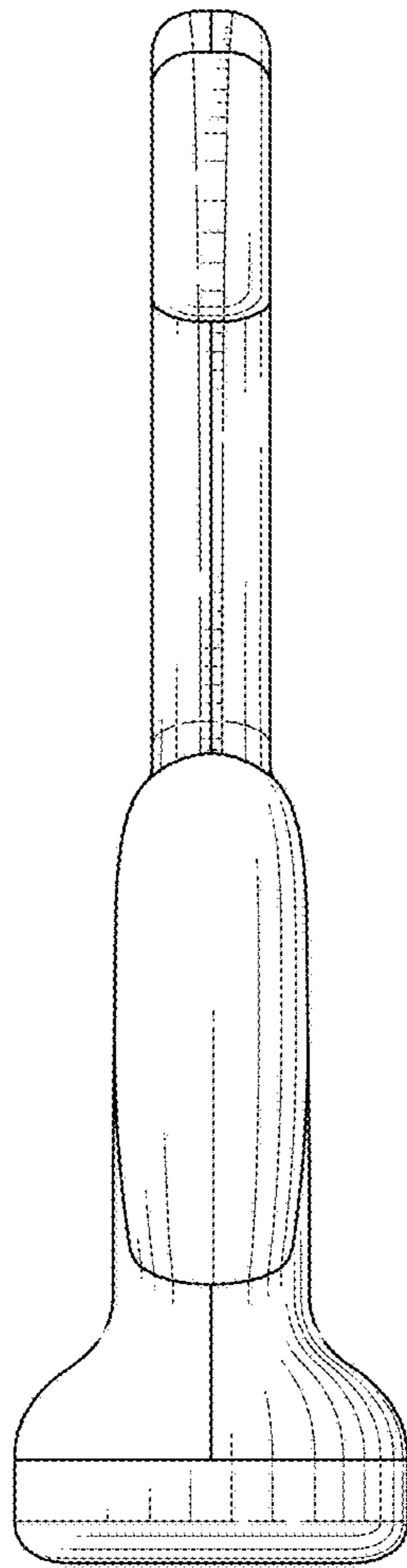


FIG. 5

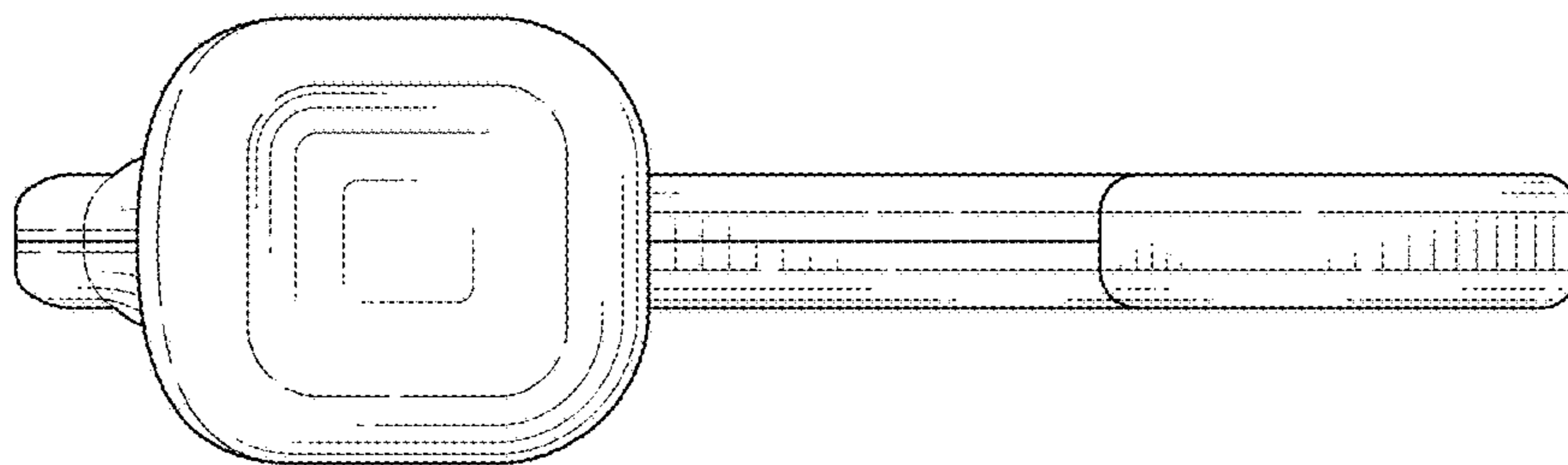


FIG. 6