

US00D842561S

(12) **United States Design Patent**
Tokoi

(10) **Patent No.:** **US D842,561 S**
(45) **Date of Patent:** **** Mar. 5, 2019**

(54) **ELECTRIC VACUUM CLEANER**

(71) Applicant: **IRIS OHYAMA INC.**, Sendai-shi,
Miyagi (JP)

(72) Inventor: **Shohei Tokoi**, Kakuda (JP)

(73) Assignee: **IRIS OHYAMA INC.**, Sendai-shi (JP)

(**) Term: **15 Years**

(21) Appl. No.: **29/615,640**

(22) Filed: **Aug. 30, 2017**

(30) **Foreign Application Priority Data**

Mar. 6, 2017 (JP) 2017-004517

(51) **LOC (11) Cl.** **15-05**

(52) **U.S. Cl.**
USPC **D32/21**

(58) **Field of Classification Search**
USPC D32/21-24, 31
CPC E04H 4/1654; A47L 9/2842; A47L 9/26;
A47L 9/325; A47L 9/009; A47L 11/34;
A47L 5/362; A47L 5/365; A47L 7/0004;
A47L 7/0019

See application file for complete search history.

(56) **References Cited**

U.S. PATENT DOCUMENTS

D417,323 S *	11/1999	Fujita	D32/21
D600,415 S *	9/2009	Svantesson	D32/21
D682,494 S *	5/2013	Kim	D32/21
D722,732 S *	2/2015	Ghim	D32/21
D724,282 S *	3/2015	Irfan	D32/21
D762,026 S *	7/2016	Tyler	D32/21
D787,762 S *	5/2017	Thackray	D32/21

FOREIGN PATENT DOCUMENTS

EM 000605027-0002 11/2006
JP 1568422 S 2/2017

OTHER PUBLICATIONS

An Office Action; "Notice of Allowance", issued by the Japanese Patent Office dated Nov. 7, 2017, which corresponds to Japanese Design Application No. 2017-004517; with English language Concise Explanation.

* cited by examiner

Primary Examiner — Ruth McInroy

(74) *Attorney, Agent, or Firm* — Studebaker & Brackett PC

(57) **CLAIM**

The ornamental design for an electric vacuum cleaner, as shown and described.

DESCRIPTION

FIG. 1 is a front, top and right-side perspective view of an electric vacuum cleaner showing my new design;
FIG. 2 is a front view thereof;
FIG. 3 is a rear view thereof;
FIG. 4 is a top view thereof;
FIG. 5 is a bottom view thereof;
FIG. 6 is a right-side view thereof; and,
FIG. 7 is a left-side view thereof.
The details shown in broken lines form no part of the claimed design.

1 Claim, 7 Drawing Sheets

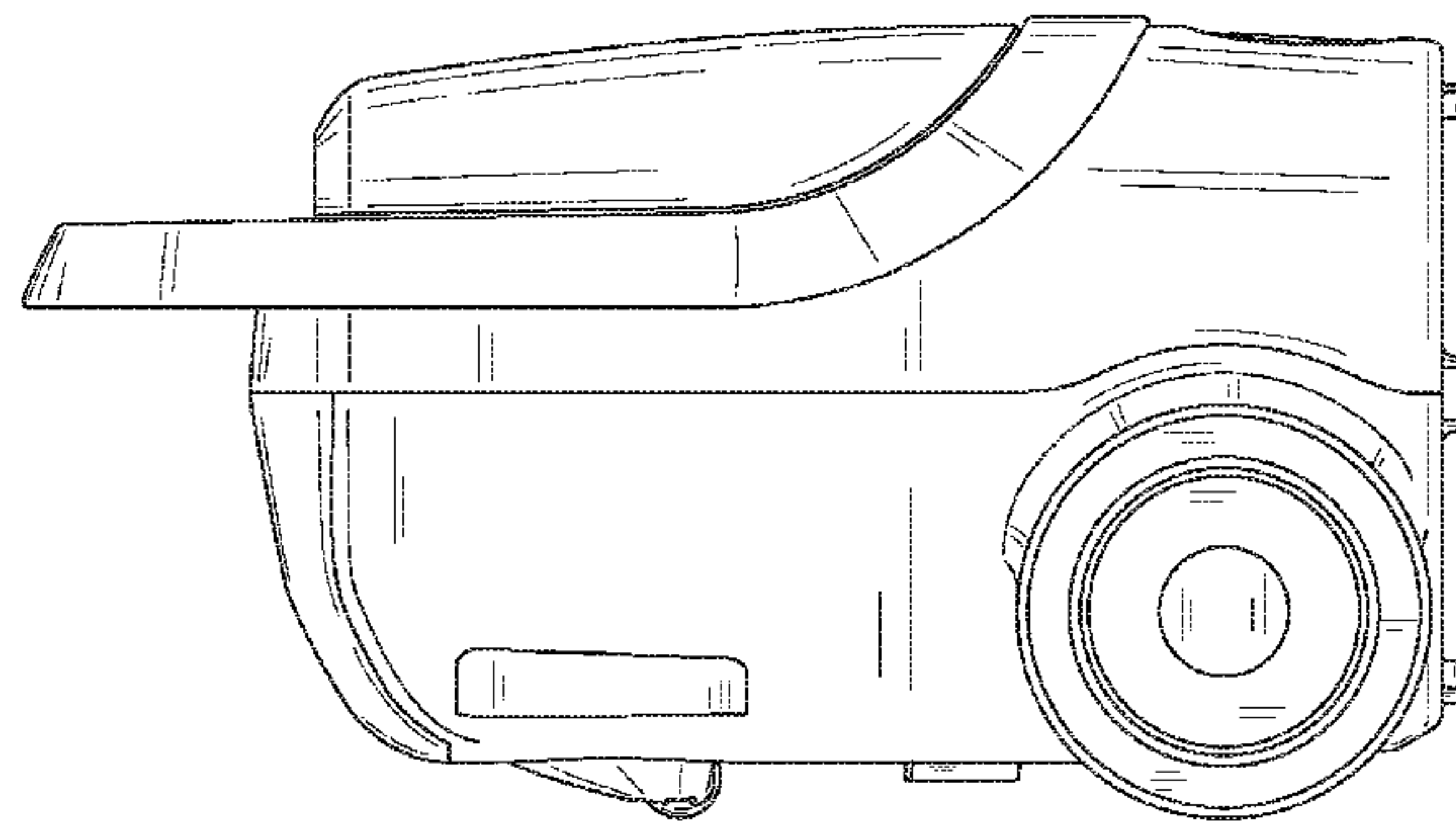
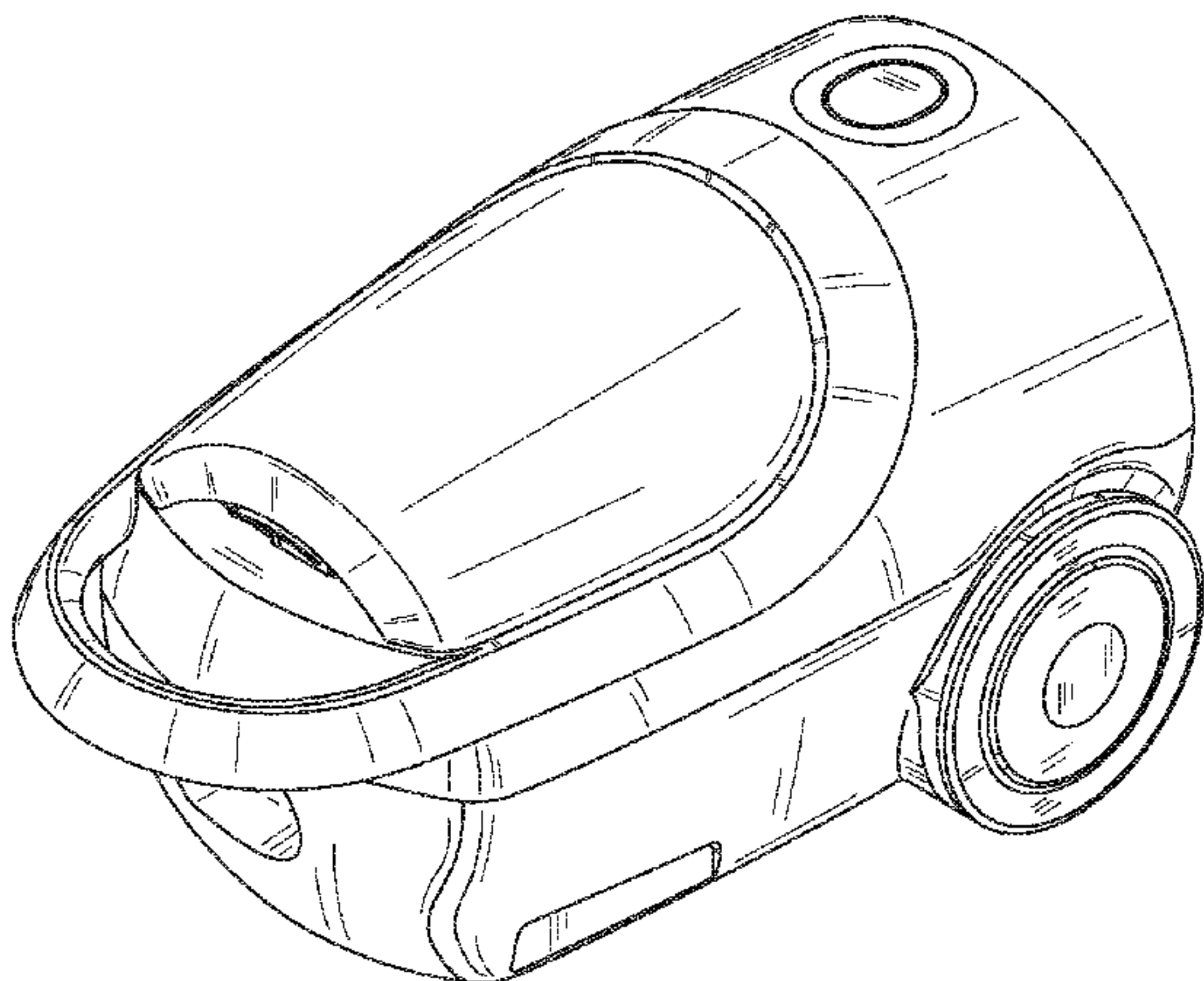


FIG. 1

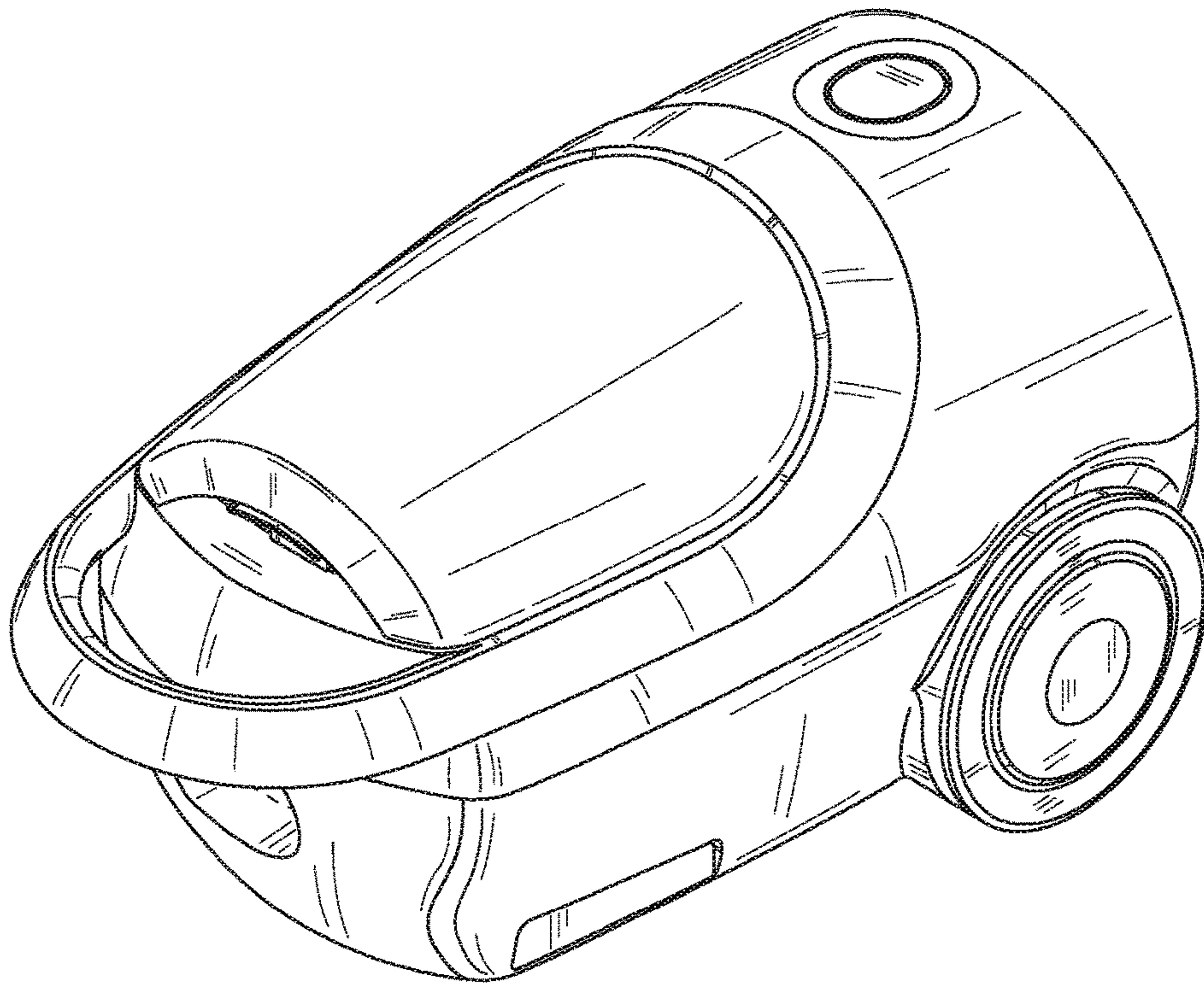


FIG. 2

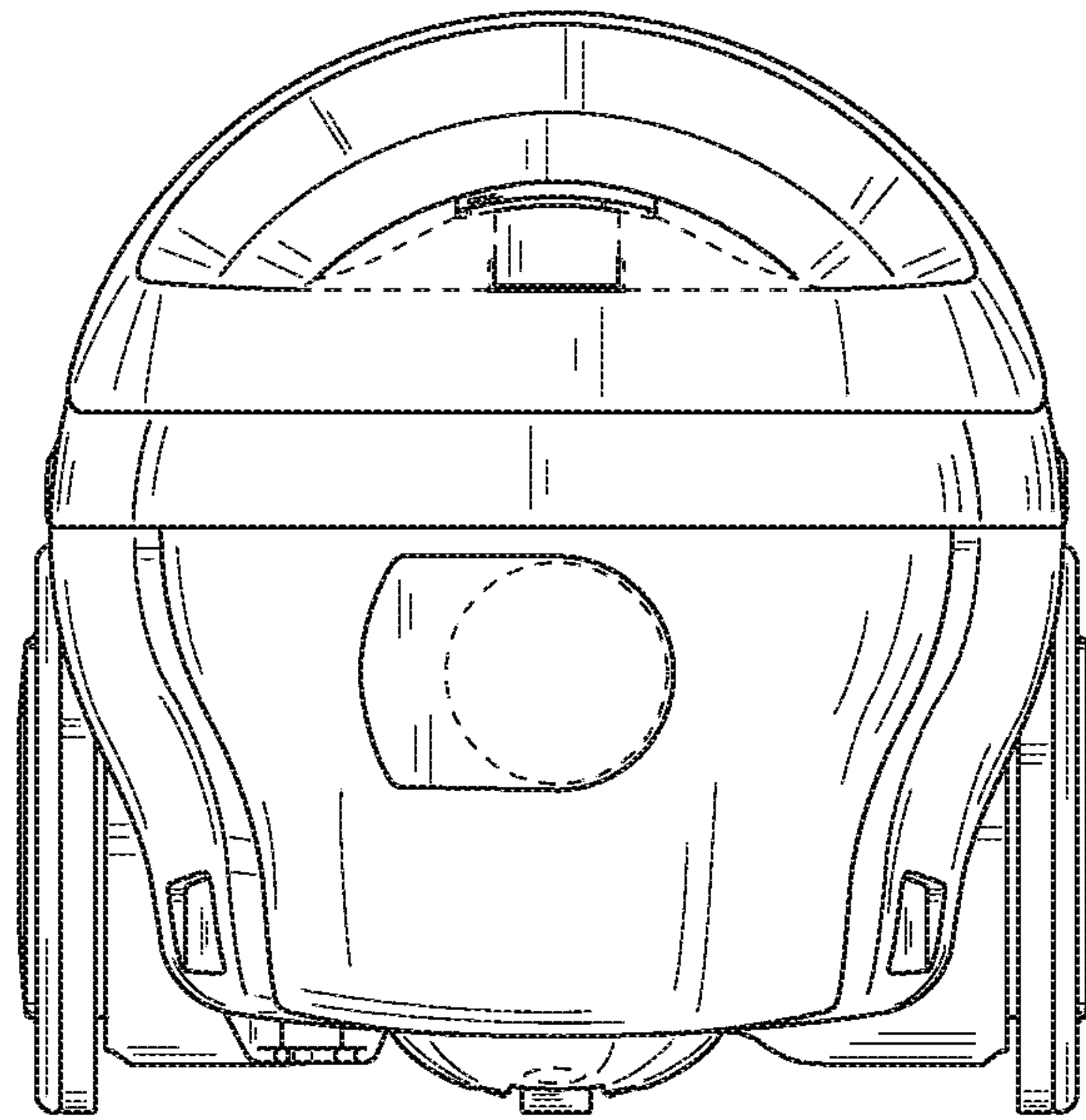


FIG. 3

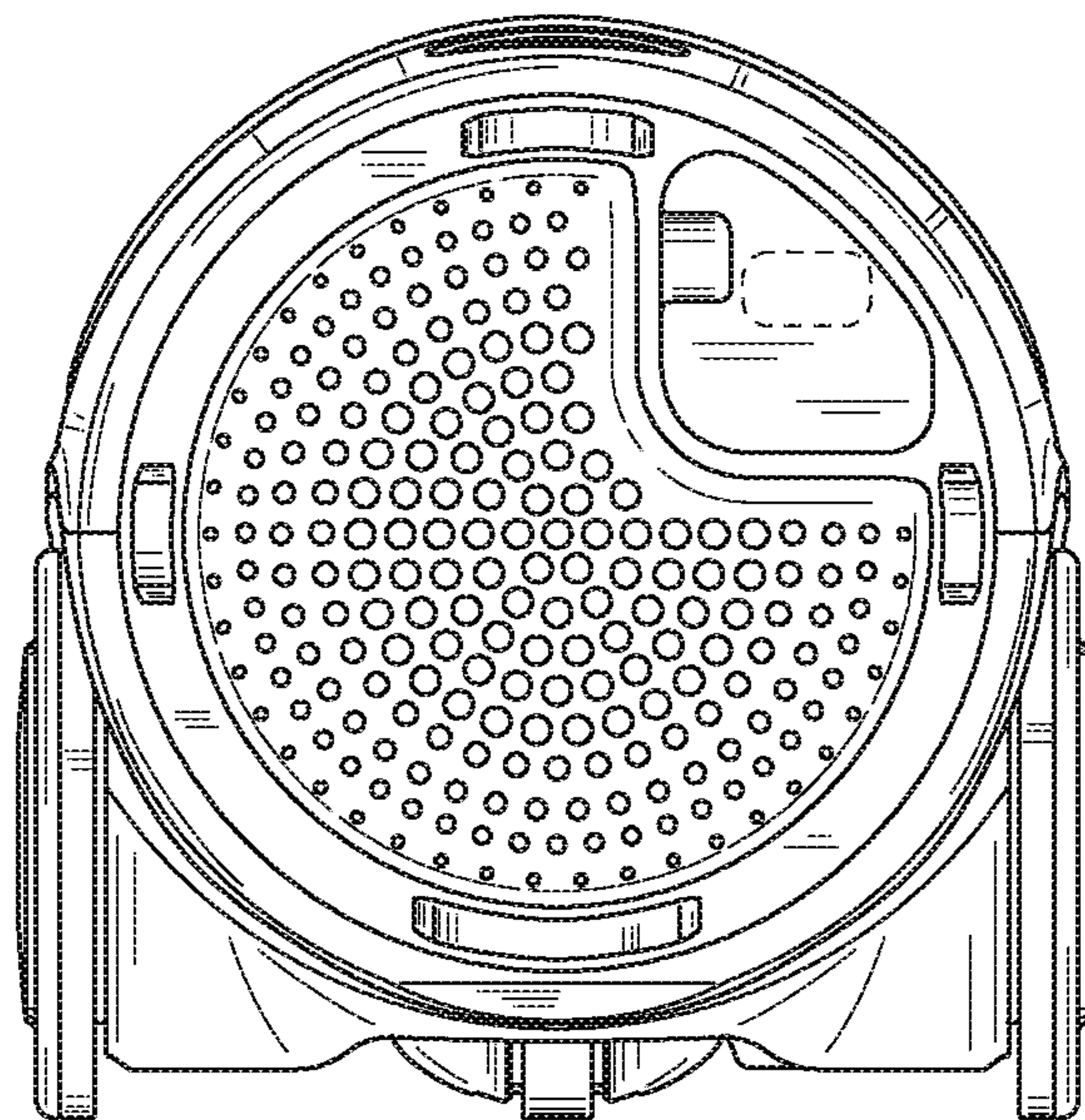


FIG. 4

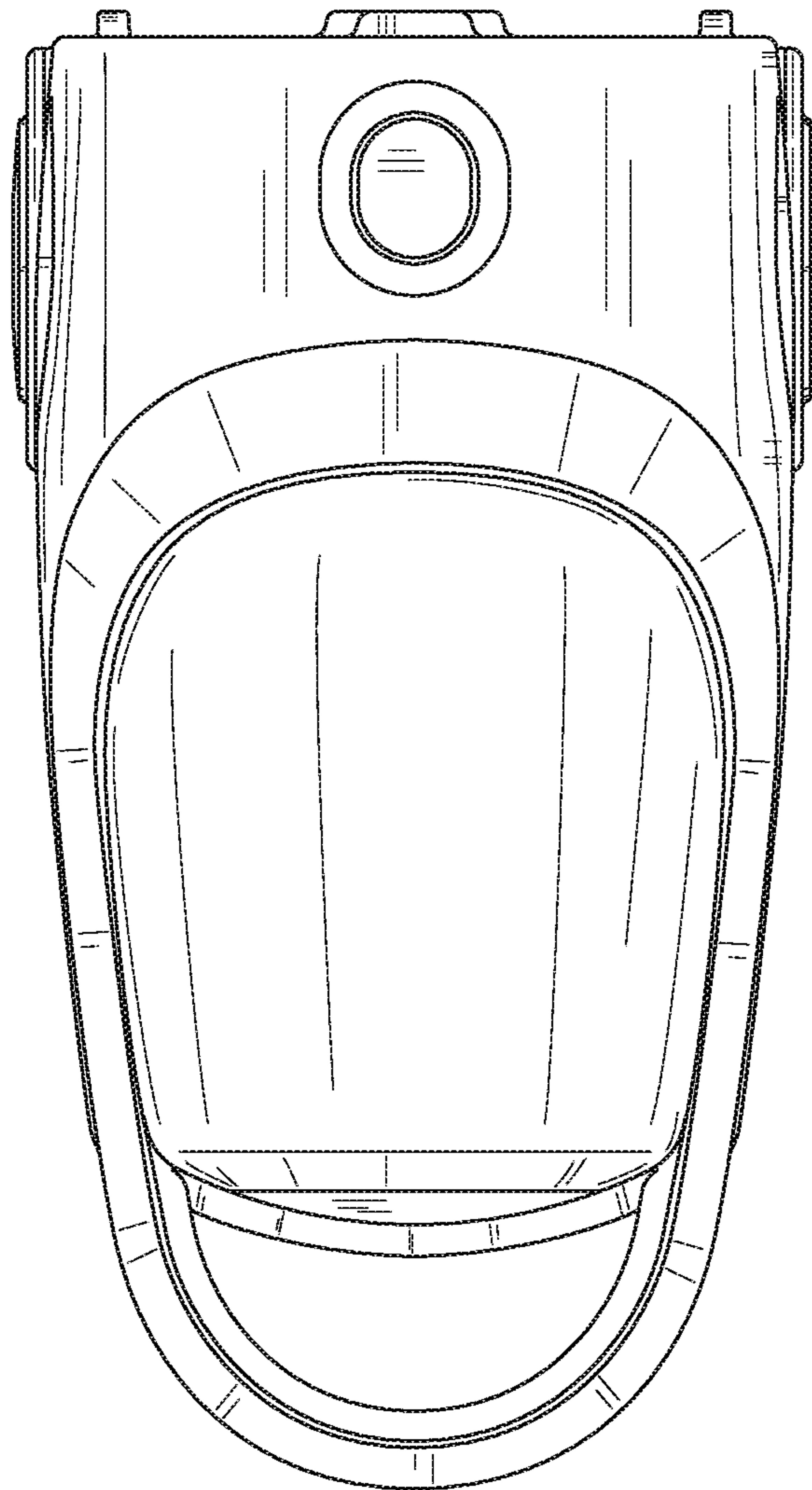


FIG. 5

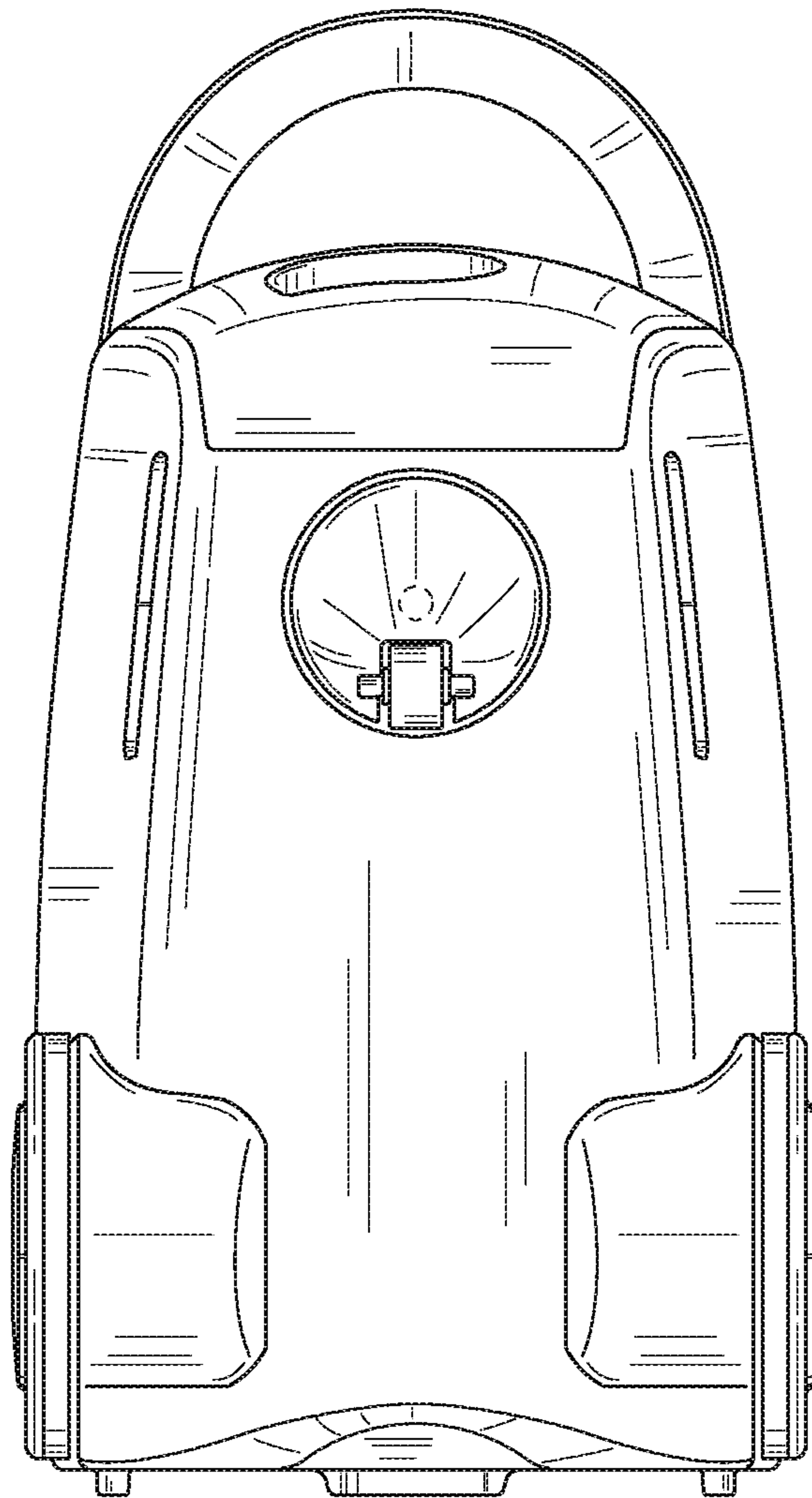


FIG. 6

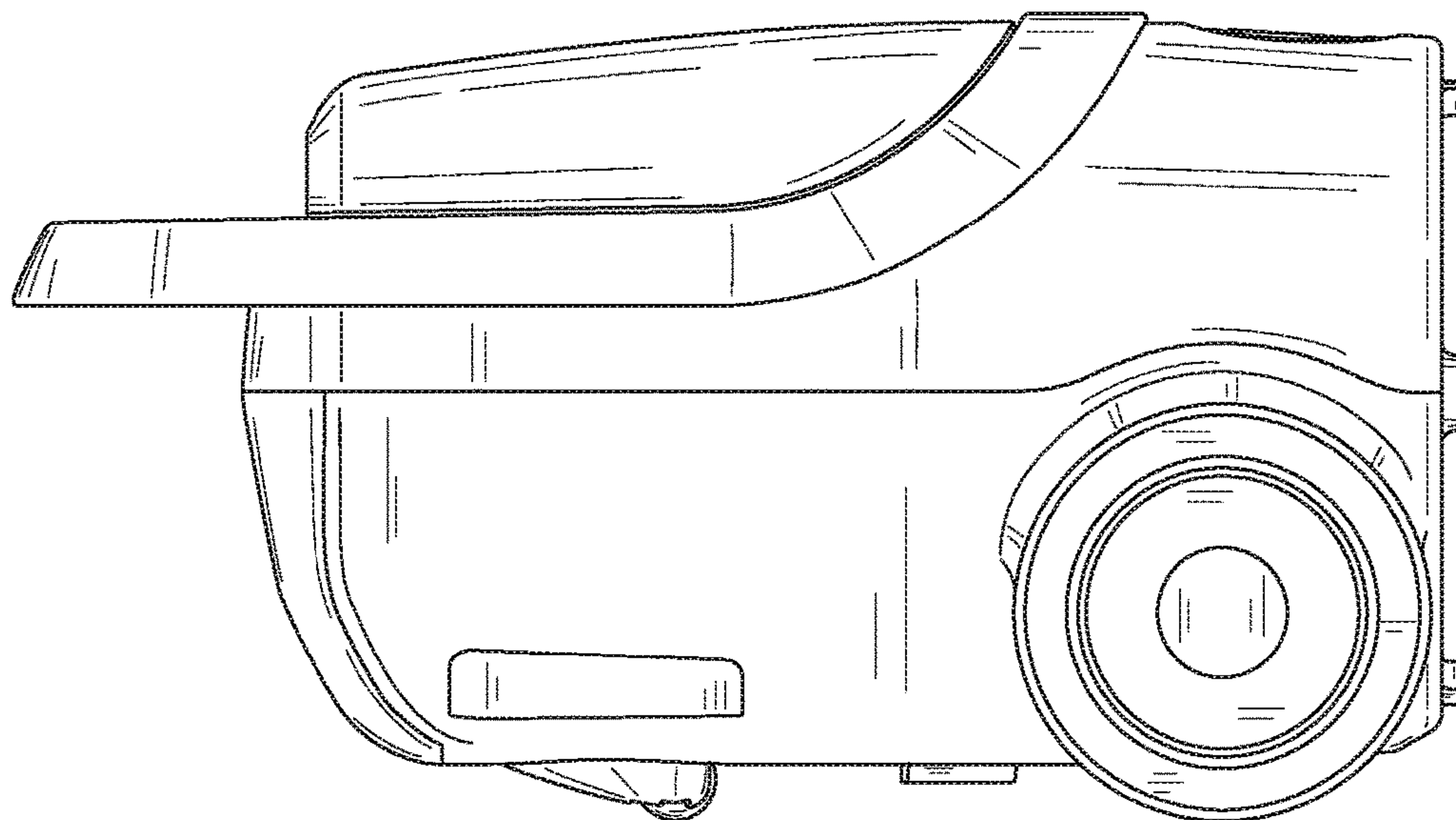


FIG. 7

