



US00D842560S

(12) **United States Design Patent**
Tschopp

(10) **Patent No.:** **US D842,560 S**

(45) **Date of Patent:** **** Mar. 5, 2019**

(54) **VACUUM**

(71) Applicant: **Black & Decker Inc.**, New Britain, CT (US)

(72) Inventor: **Tylan A. Tschopp**, Baltimore, MD (US)

(73) Assignee: **BLACK & DECKER INC.**, New Britain, CT (US)

(**) Term: **15 Years**

(21) Appl. No.: **29/607,371**

(22) Filed: **Jun. 13, 2017**

(51) **LOC (11) Cl.** **15-05**

(52) **U.S. Cl.**
USPC **D32/21**

(58) **Field of Classification Search**
USPC D32/21-24, 31, 34, 17-18
CPC A47L 5/24; A47L 5/22; A47L 5/28; A47L 5/225; A47L 5/362; A47L 5/365; A47L 9/2842; A47L 9/24; A47L 9/248
See application file for complete search history.

(56) **References Cited**

U.S. PATENT DOCUMENTS

D270,298 S * 8/1983 Ayukawa D32/21
D496,764 S * 9/2004 Lopano D32/21
D537,579 S * 2/2007 Zimmerle D32/21

D537,581 S * 2/2007 Zimmerle D32/21
D549,904 S * 8/2007 Eccardt D32/18
D558,410 S * 12/2007 Hill D32/21
D636,547 S * 4/2011 Moore, Jr. D32/24
D647,261 S * 10/2011 Schultz D32/18
D655,874 S * 3/2012 Dammkoehler D32/24
D672,102 S * 12/2012 Schouten D32/18
D707,001 S * 6/2014 Valk D32/21
D715,505 S * 10/2014 Dammkoehler D32/21
D746,523 S * 12/2015 Jin D32/21

* cited by examiner

Primary Examiner — Ruth McInroy

(74) *Attorney, Agent, or Firm* — Adan Ayala

(57) **CLAIM**

The ornamental design for a vacuum, as shown and described.

DESCRIPTION

FIG. 1 is a front perspective view of a vacuum according to the invention.

FIG. 2 is a front view of the vacuum of FIG. 1.

FIG. 3 is a rear view of the vacuum of FIG. 1.

FIG. 4 is a left side view of the vacuum of FIG. 1.

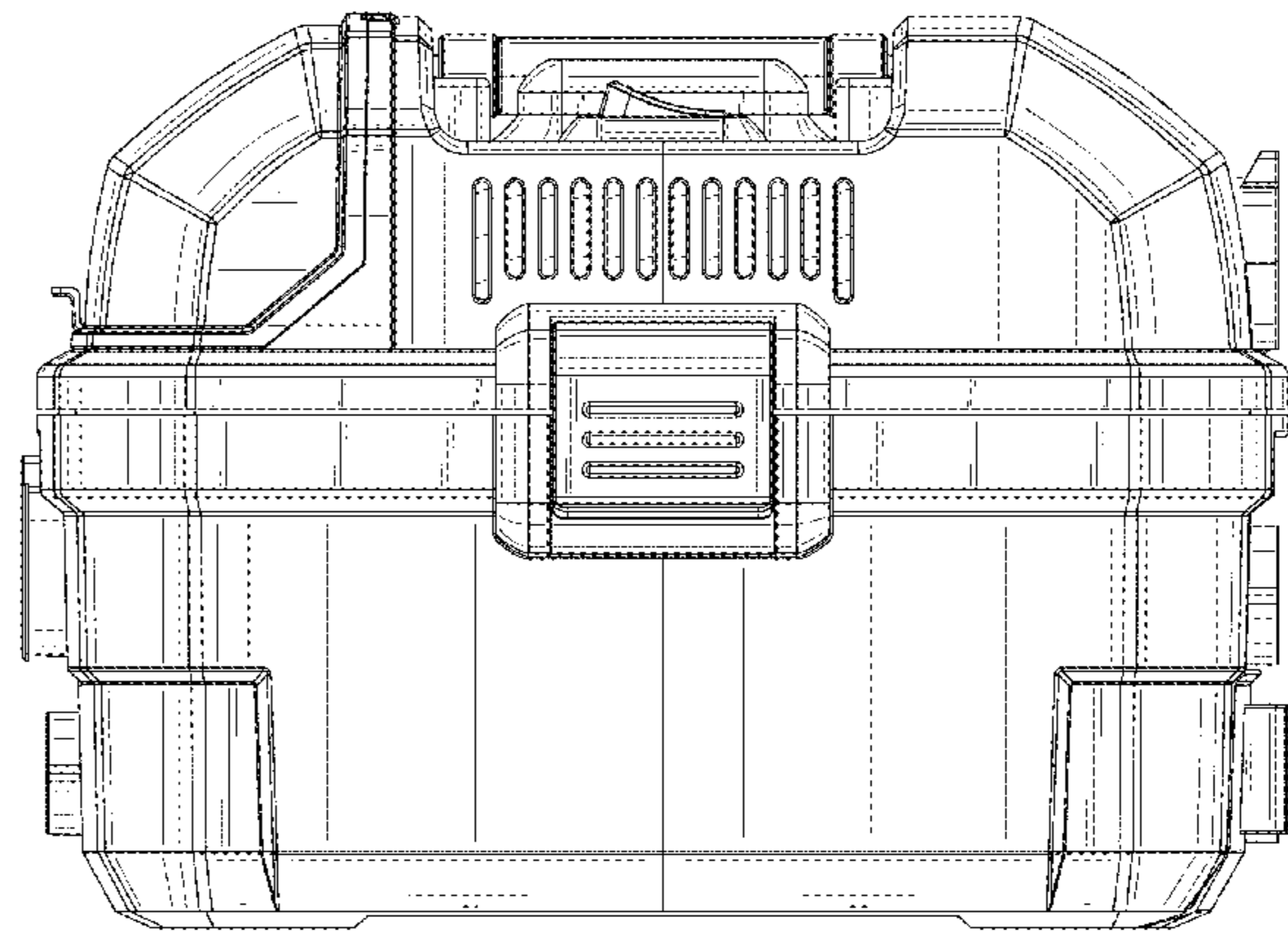
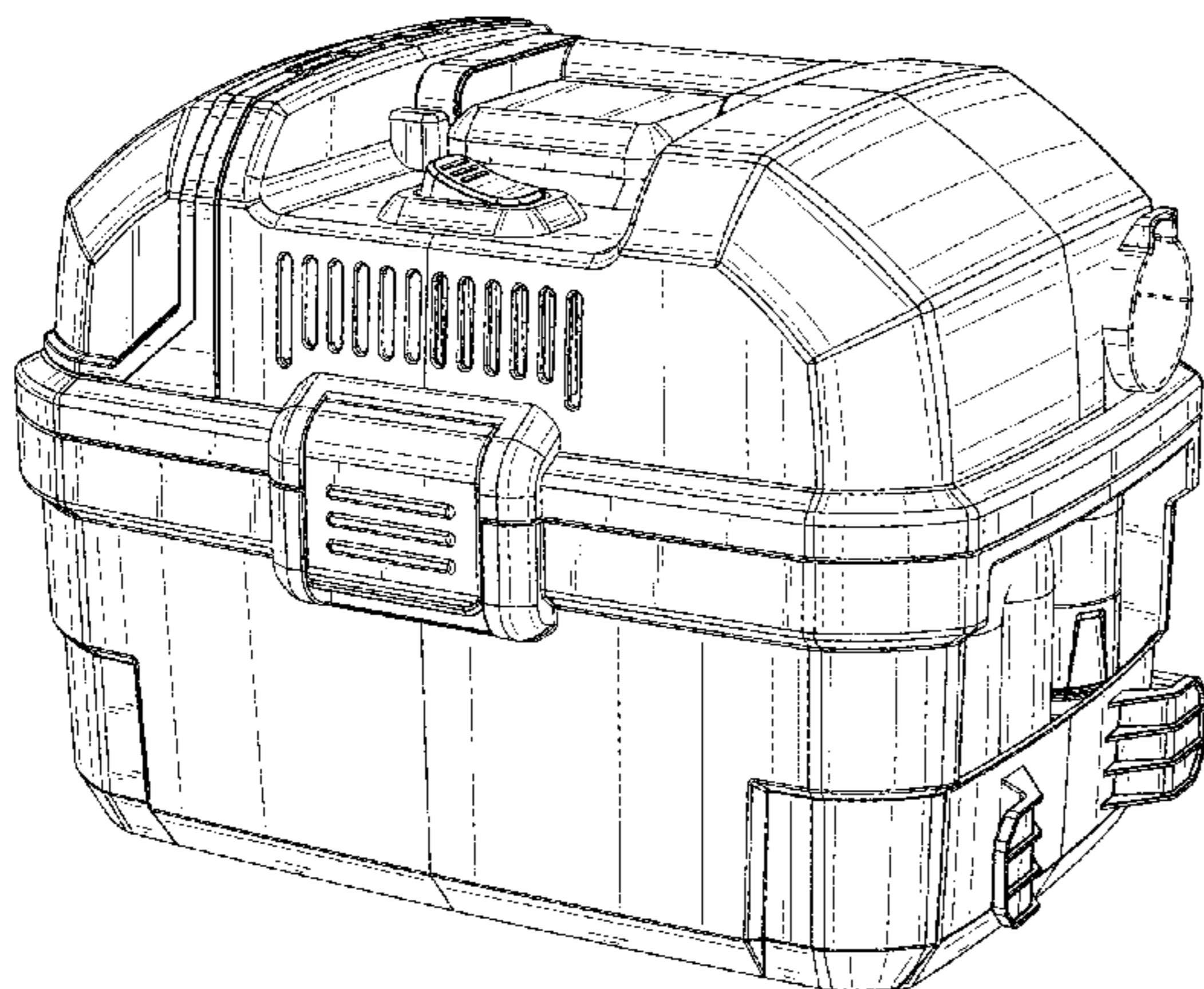
FIG. 5 is a right side view of the vacuum of FIG. 1.

FIG. 6 is a top plan view of the vacuum of FIG. 1; and,

FIG. 7 is a bottom plan view of the vacuum of FIG. 1.

The portions shown in broken line do not form part of the claimed design.

1 Claim, 7 Drawing Sheets



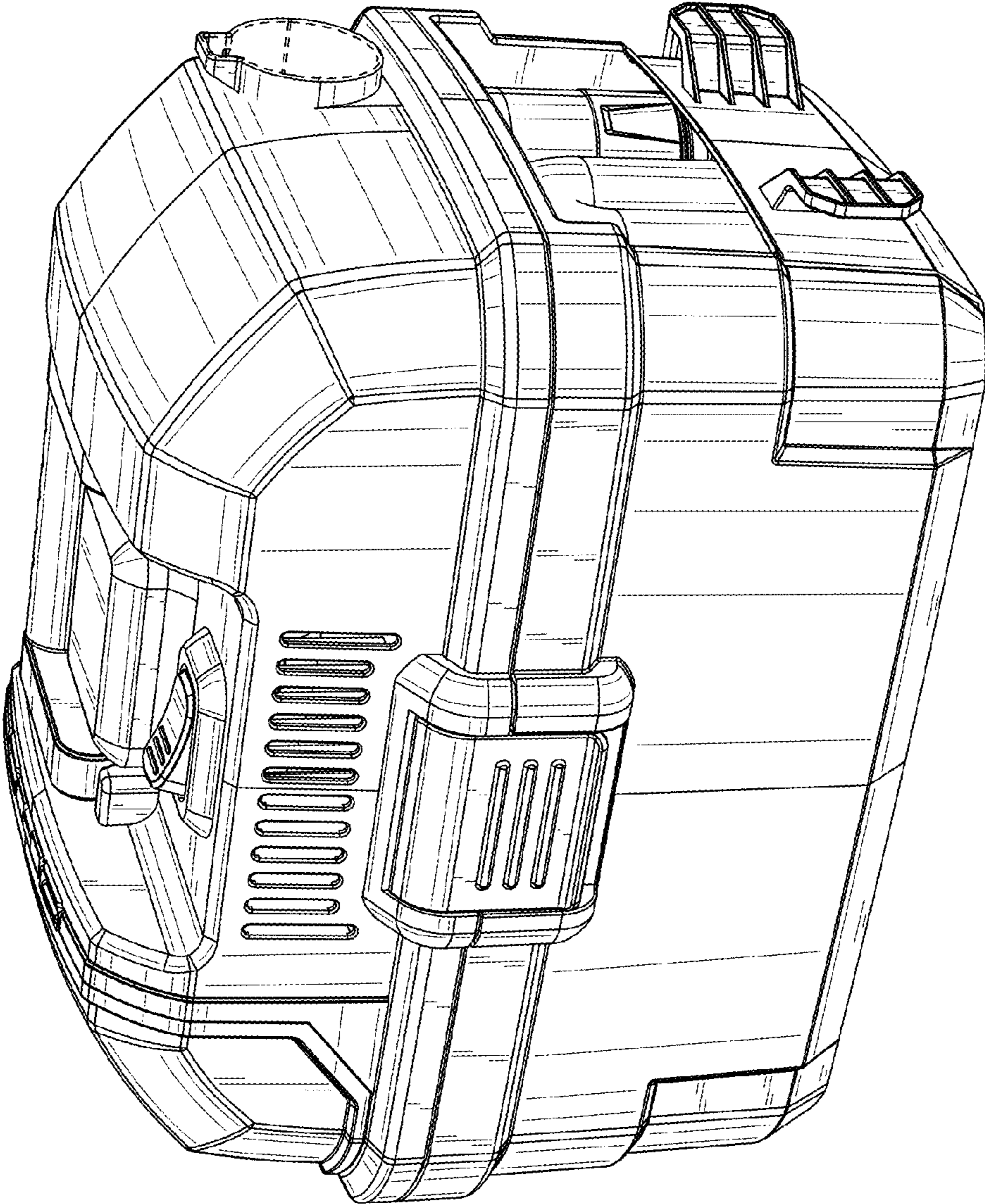


FIG. 1

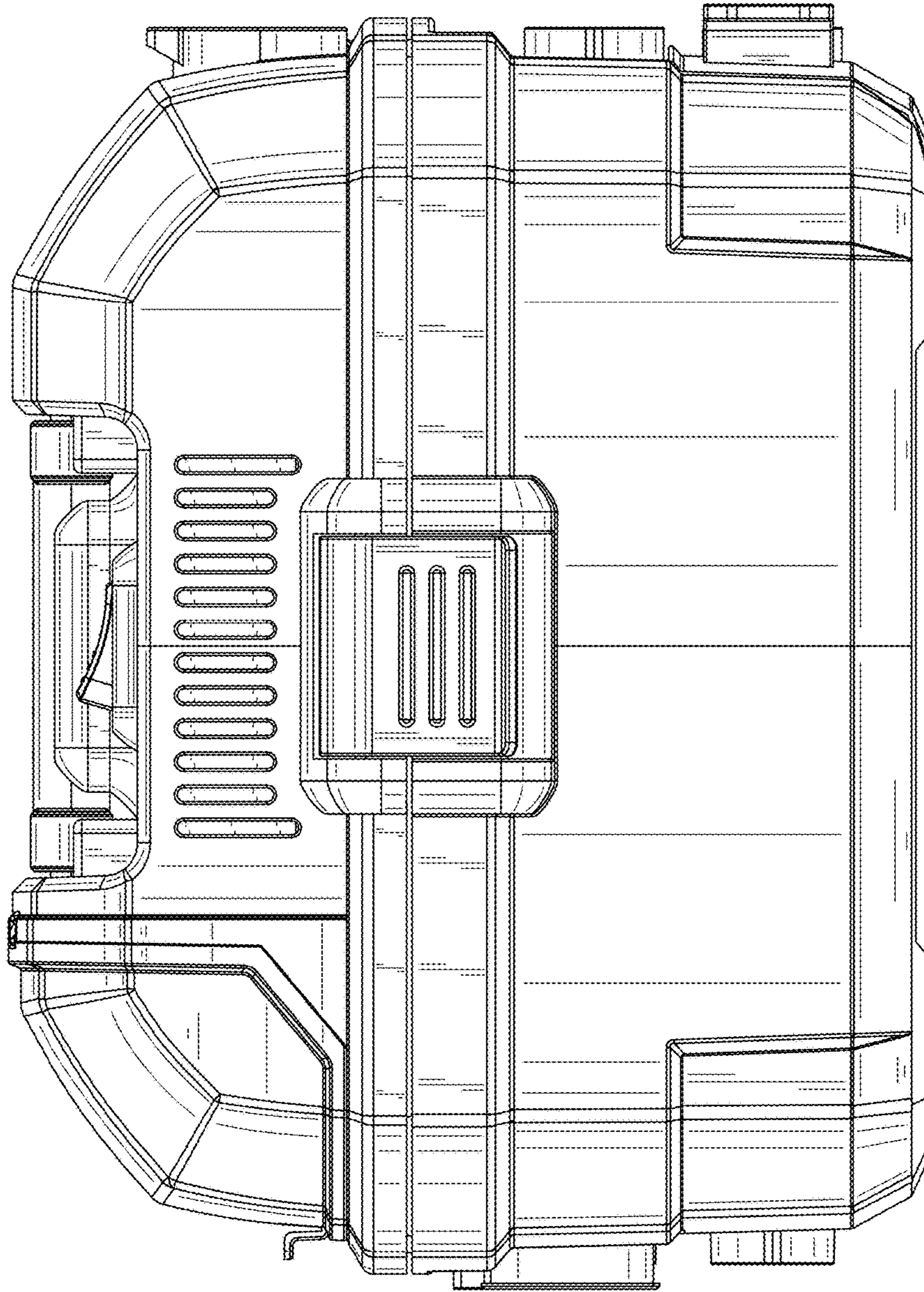


FIG. 2

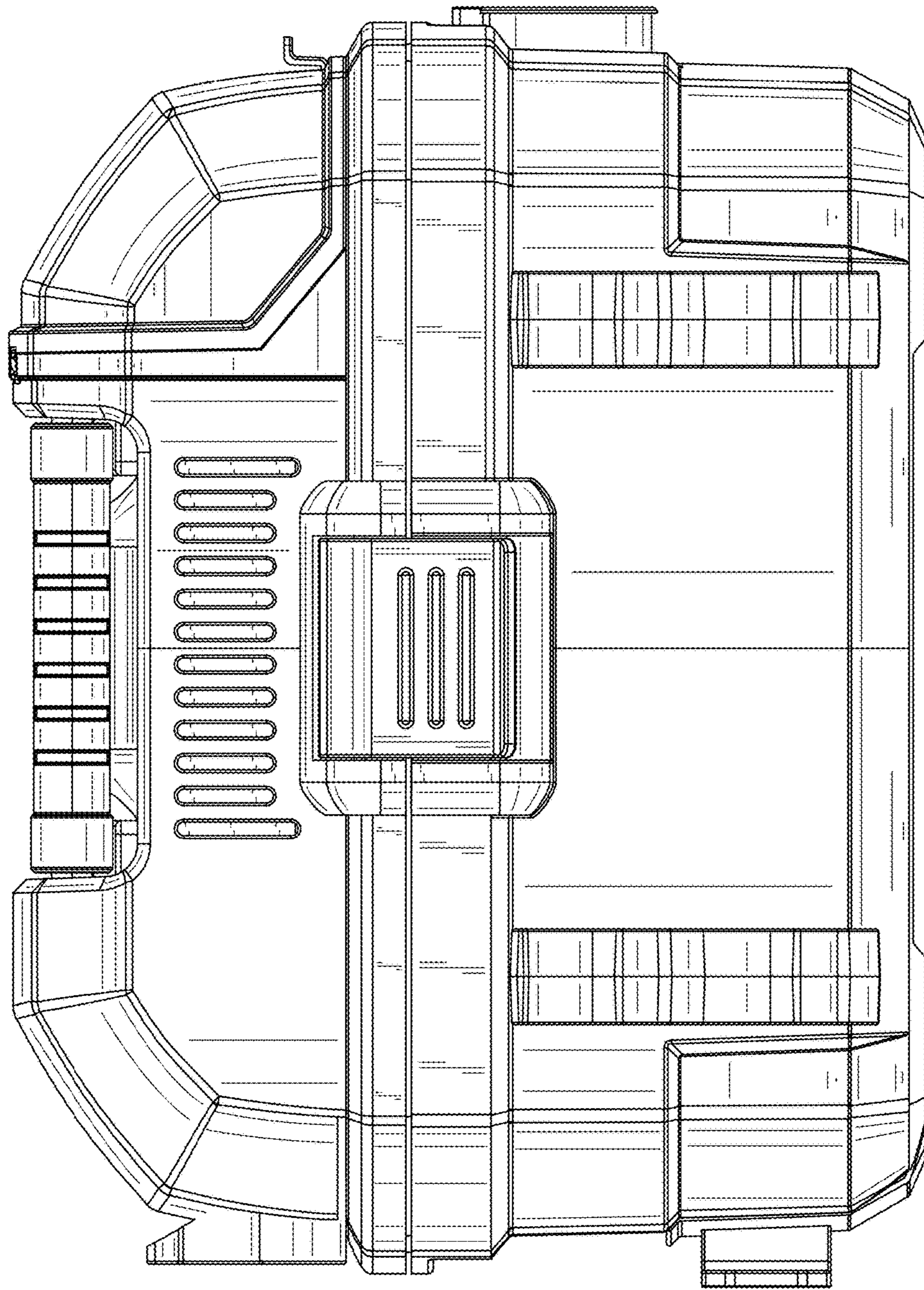


FIG. 3

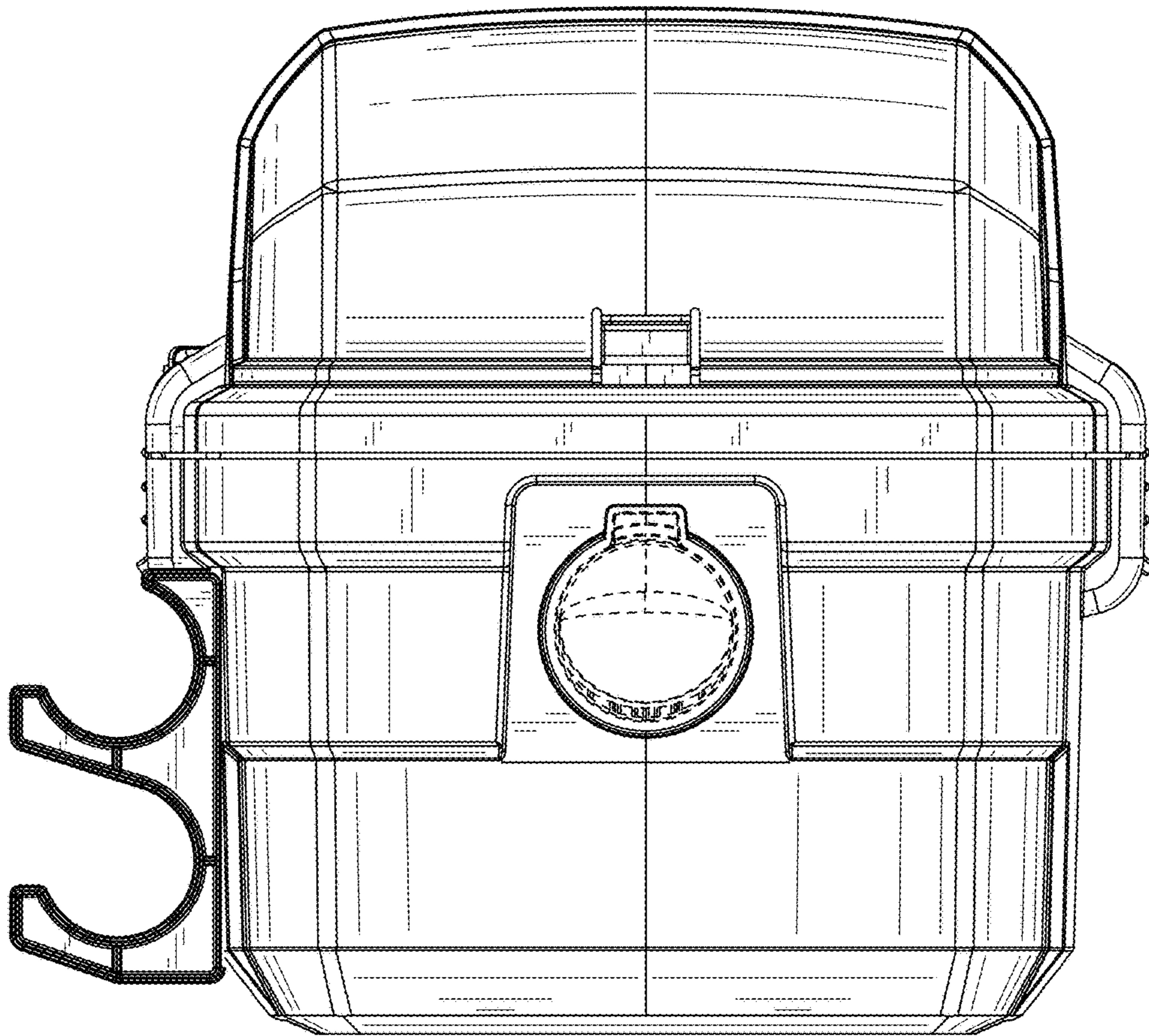


FIG. 4

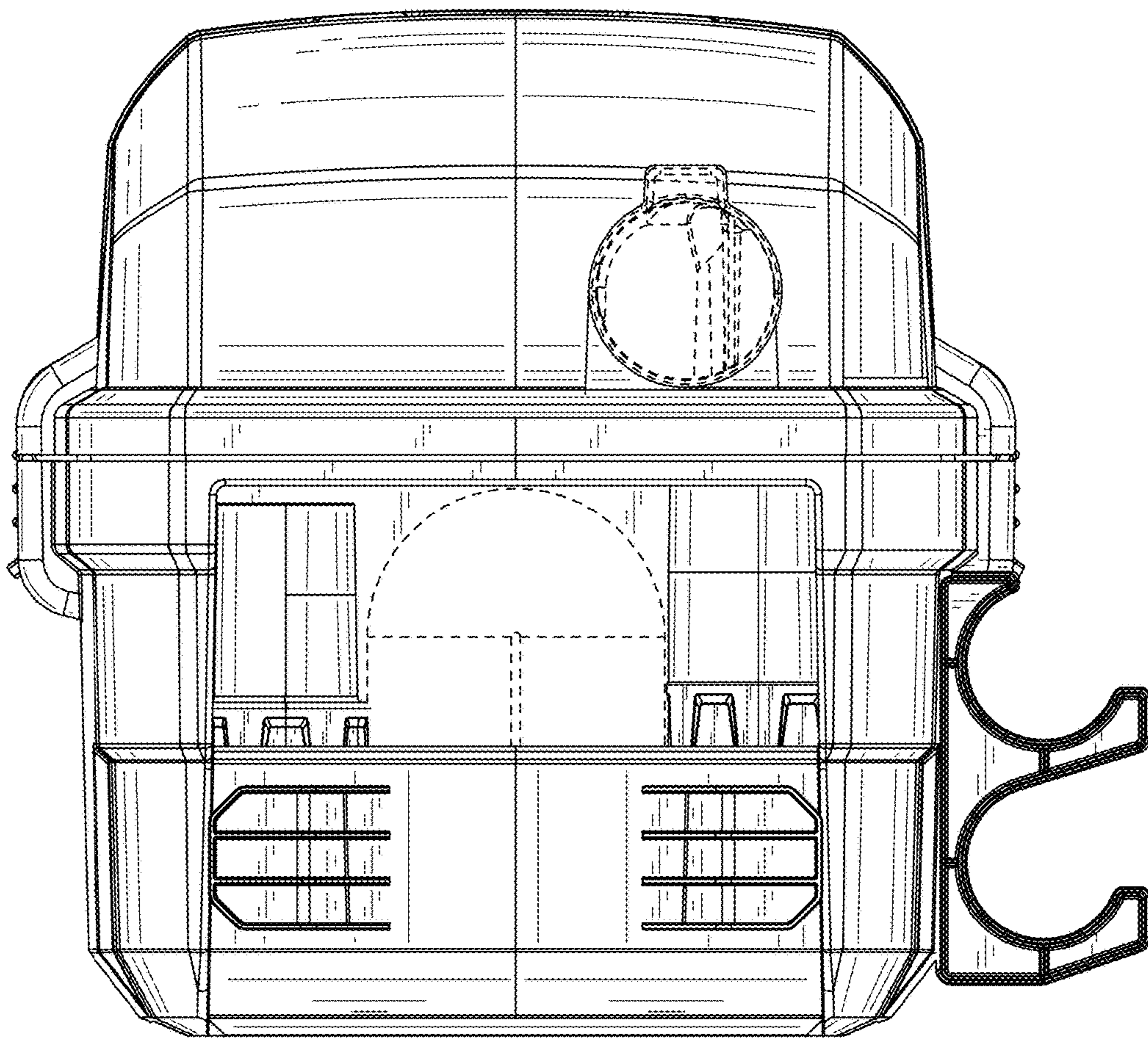


FIG. 5

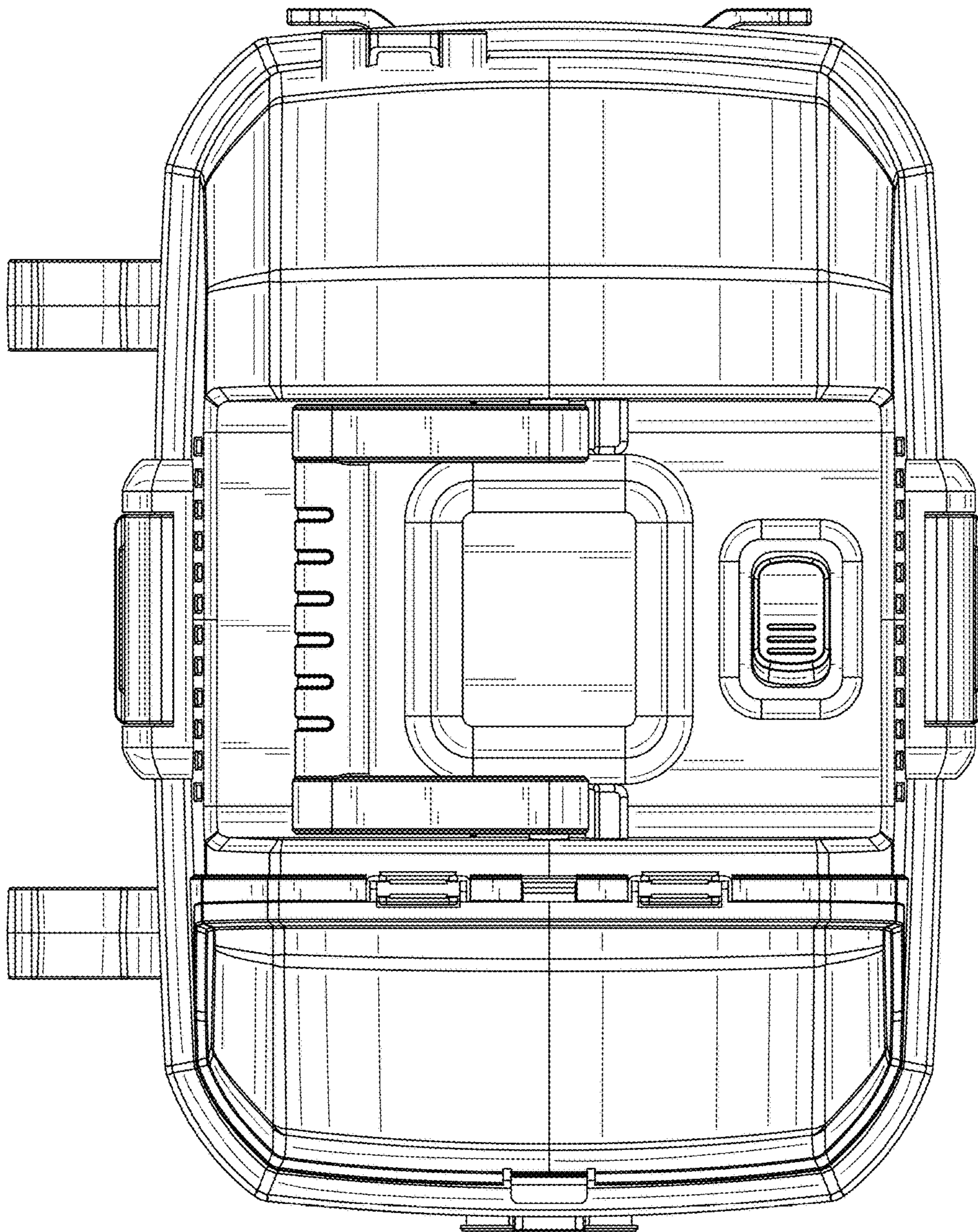


FIG. 6

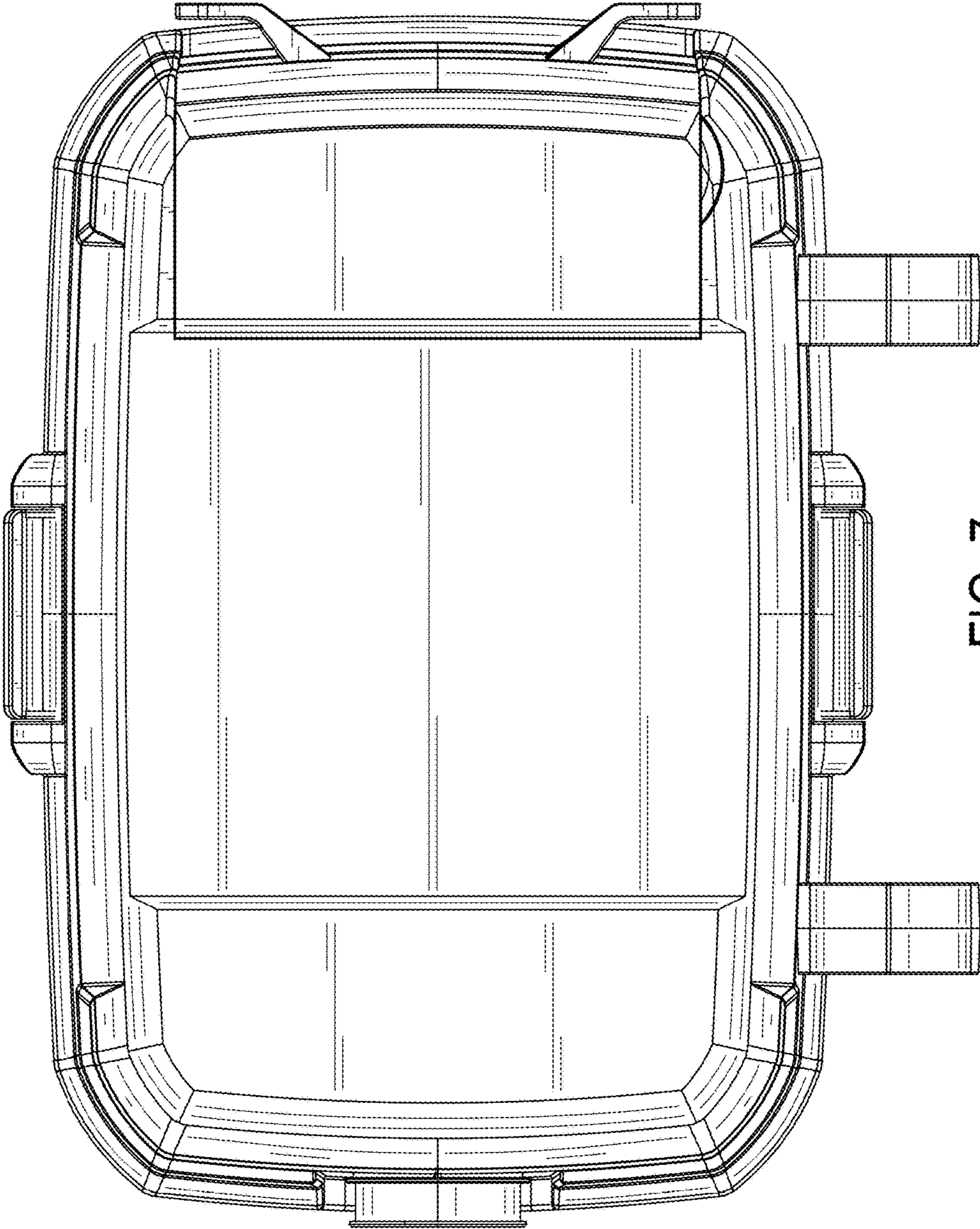


FIG. 7