



US00D842559S

(12) **United States Design Patent**  
**Yang et al.**

(10) **Patent No.:** **US D842,559 S**

(45) **Date of Patent:** **\*\* Mar. 5, 2019**

(54) **GARMENT STEAMER**

(71) Applicants: **Lin Yang**, Shenzhen (CN); **Hai Yang**, Shenzhen (CN)

(72) Inventors: **Lin Yang**, Shenzhen (CN); **Hai Yang**, Shenzhen (CN)

(\*\*) Term: **15 Years**

(21) Appl. No.: **29/628,966**

(22) Filed: **Dec. 8, 2017**

(51) **LOC (11) Cl.** ..... **15-05**

(52) **U.S. Cl.**  
USPC ..... **D32/17**

(58) **Field of Classification Search**  
USPC ..... D32/17, 18, 21, 71, 73, 25  
CPC ..... D06F 87/00; D06F 75/30; D06F 75/12;  
D06F 75/20; D06F 73/00; D06F 73/10;  
D06F 59/02; D06F 59/08; A47L 5/24  
See application file for complete search history.

(56) **References Cited**

**U.S. PATENT DOCUMENTS**

D576,363 S *	9/2008	Reiner	.....	D32/17
D589,663 S *	3/2009	Massip	.....	D32/17
D595,461 S *	6/2009	Massip	.....	D32/17
D622,457 S *	8/2010	Choi	.....	D32/17

D670,876 S *	11/2012	Vrdoljak	.....	D32/17
8,387,291 B2 *	3/2013	Compeau	.....	D06F 75/12 38/77.9
D731,723 S *	6/2015	Dammkoehler	.....	D32/17
9,410,283 B1 *	8/2016	Maronikolakis	...	D06B 19/0029
9,745,691 B2 *	8/2017	Date	.....	D06F 73/00
9,845,568 B2 *	12/2017	Fung	.....	D06F 75/18
D808,600 S *	1/2018	Malatray	.....	D32/17
9,915,024 B2 *	3/2018	Chua	.....	D06F 87/00
D826,492 S *	8/2018	Huang	.....	D32/17

\* cited by examiner

*Primary Examiner* — Ruth McInroy

(74) *Attorney, Agent, or Firm* — Law Offices of James Zhou; Jianmin Zhou

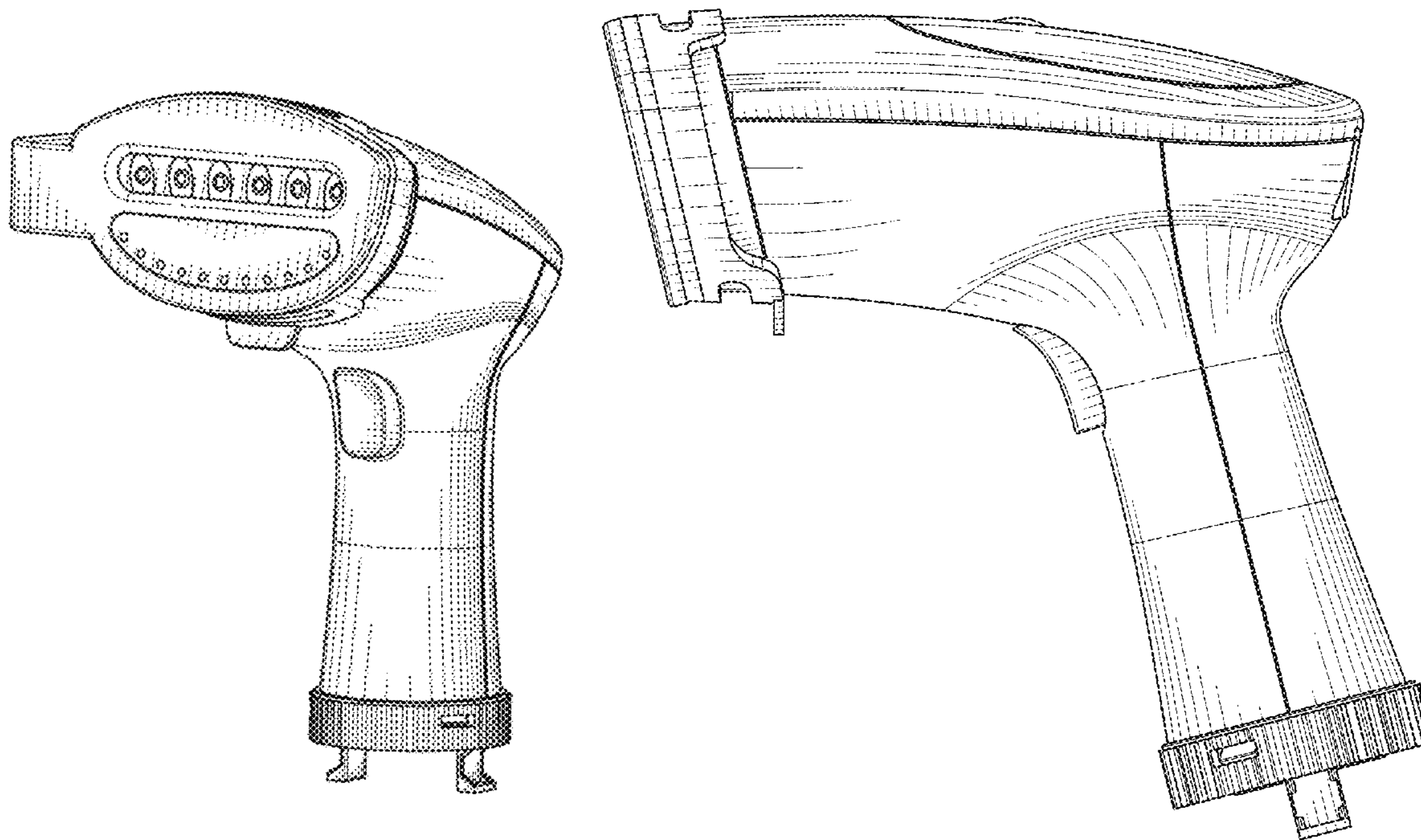
(57) **CLAIM**

The ornamental design for a garment steamer, as shown and described.

**DESCRIPTION**

FIG. 1 is a front perspective view of a garment steamer showing our new design;  
FIG. 2 is a front view thereof;  
FIG. 3 is a rear view thereof;  
FIG. 4 is a left side view thereof;  
FIG. 5 is a right side view thereof;  
FIG. 6 is a top view thereof; and,  
FIG. 7 is a bottom view thereof.

**1 Claim, 7 Drawing Sheets**



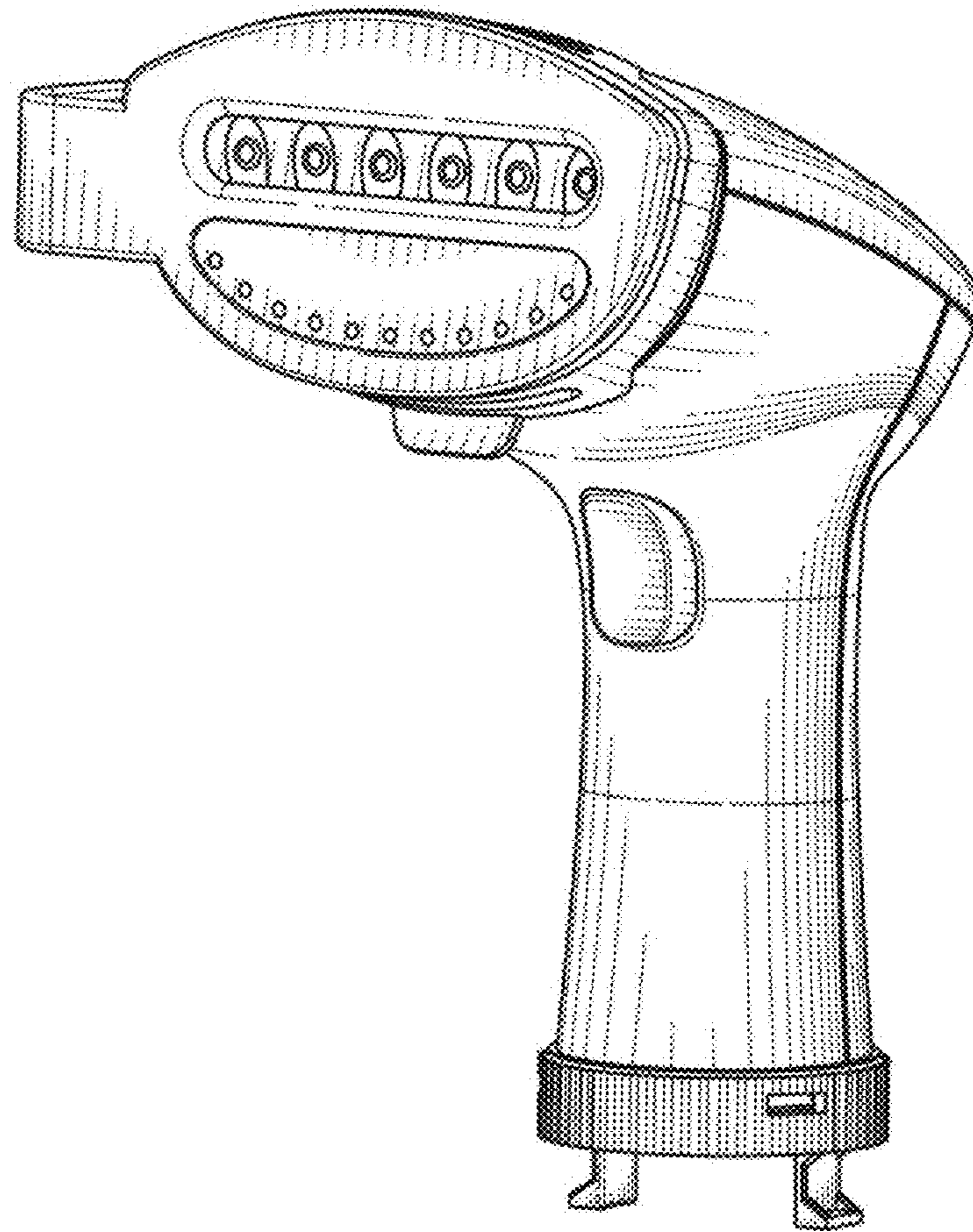


FIG. 1

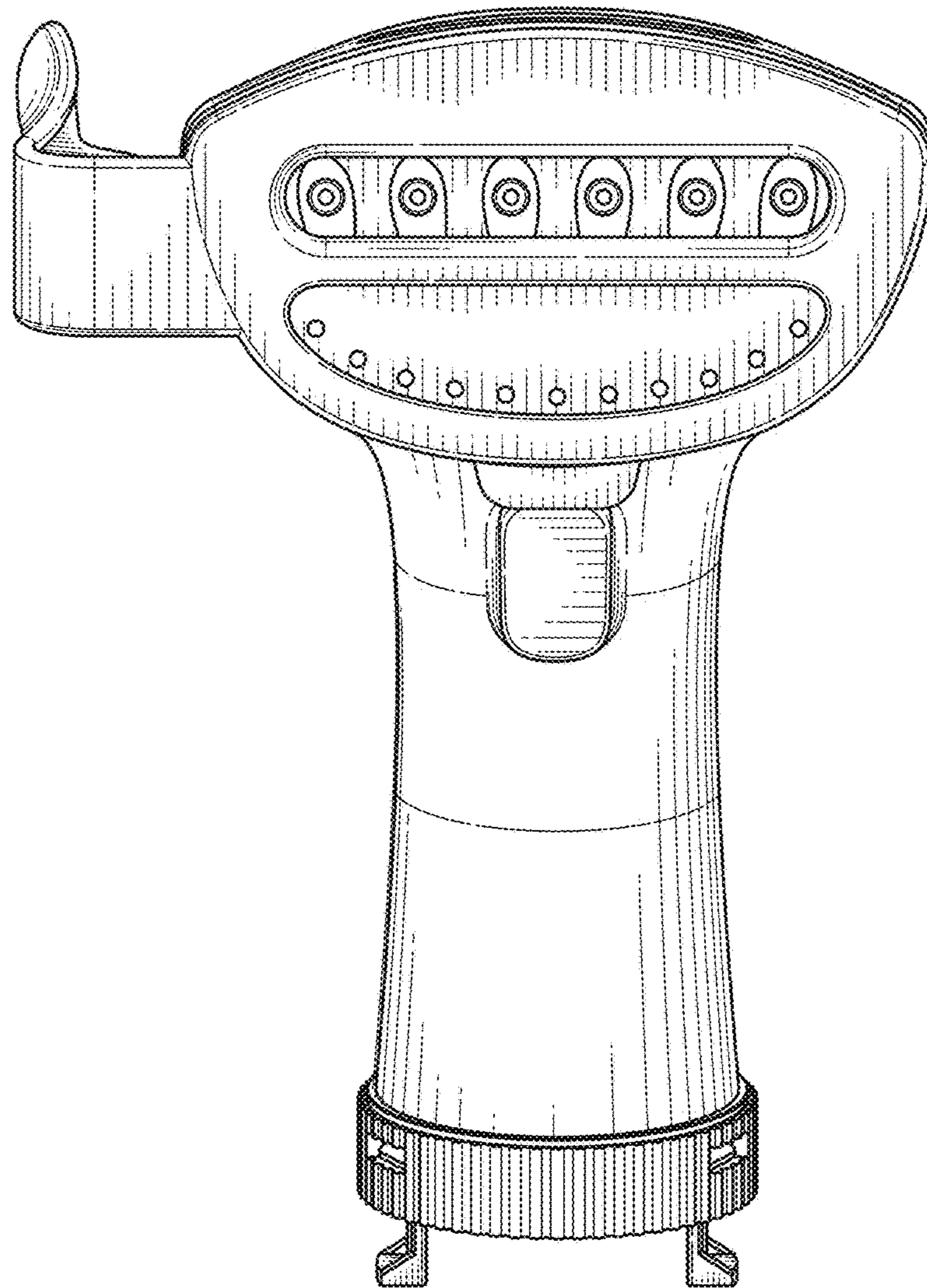


FIG. 2

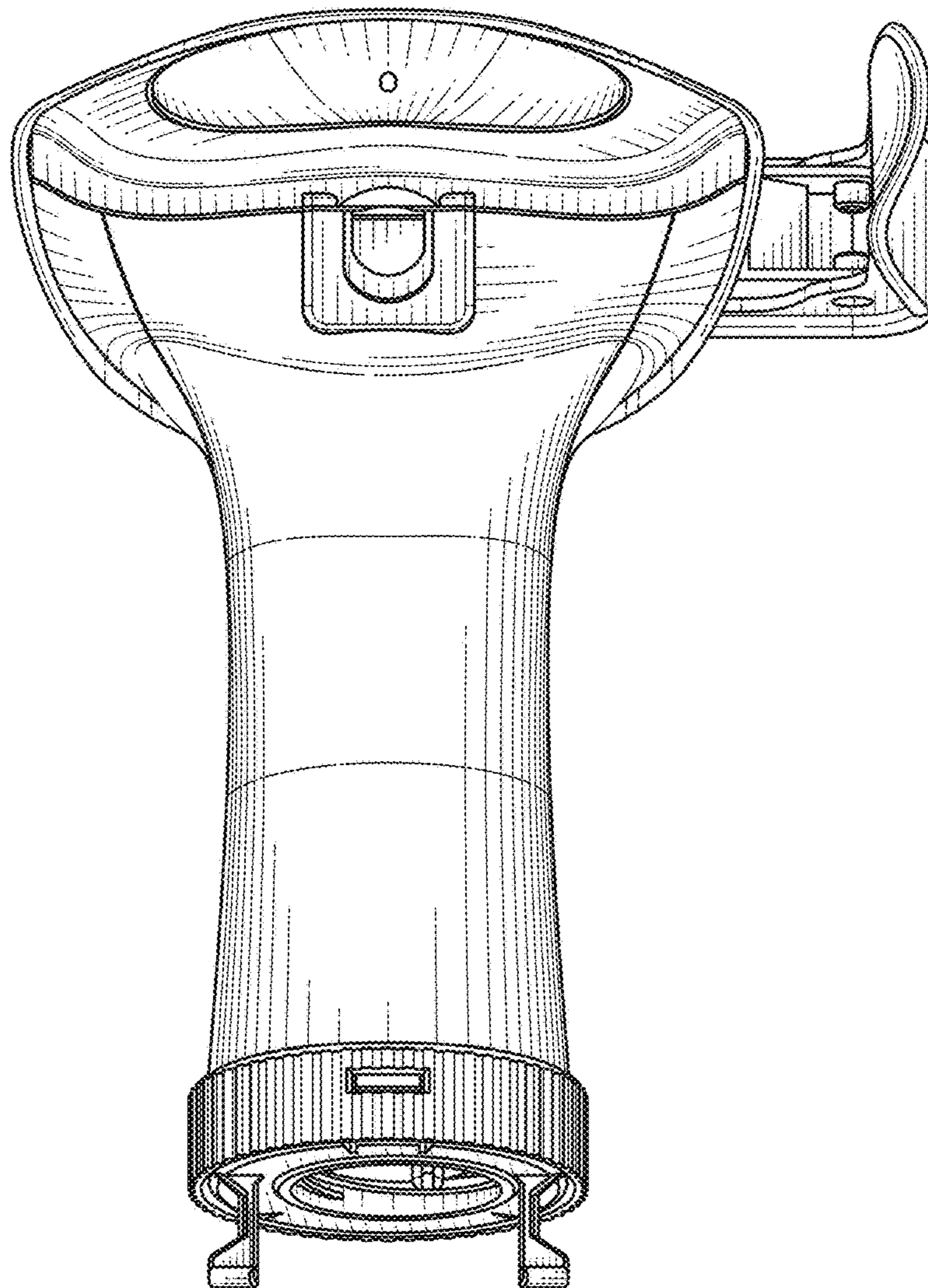


FIG. 3

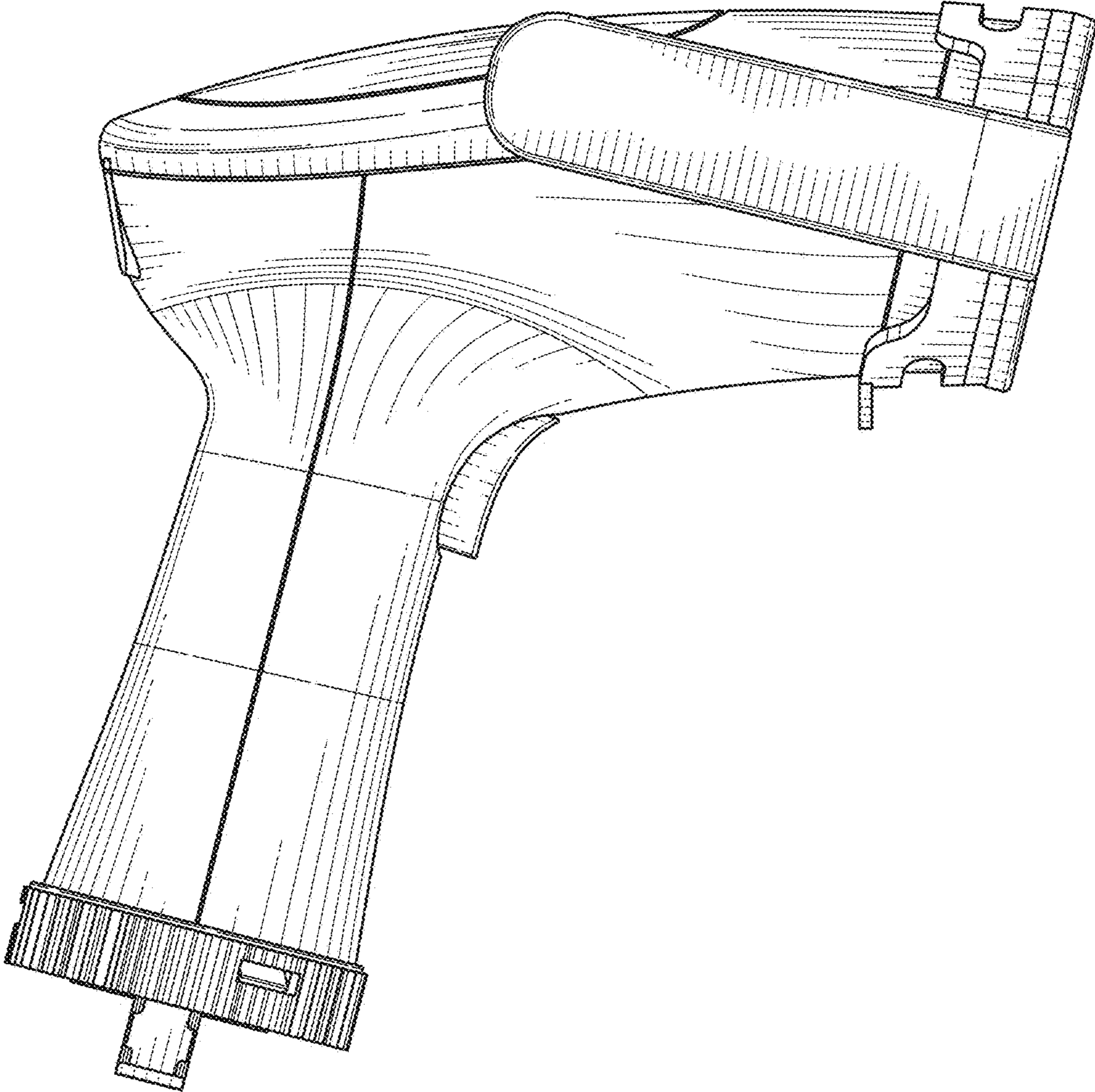


FIG. 4

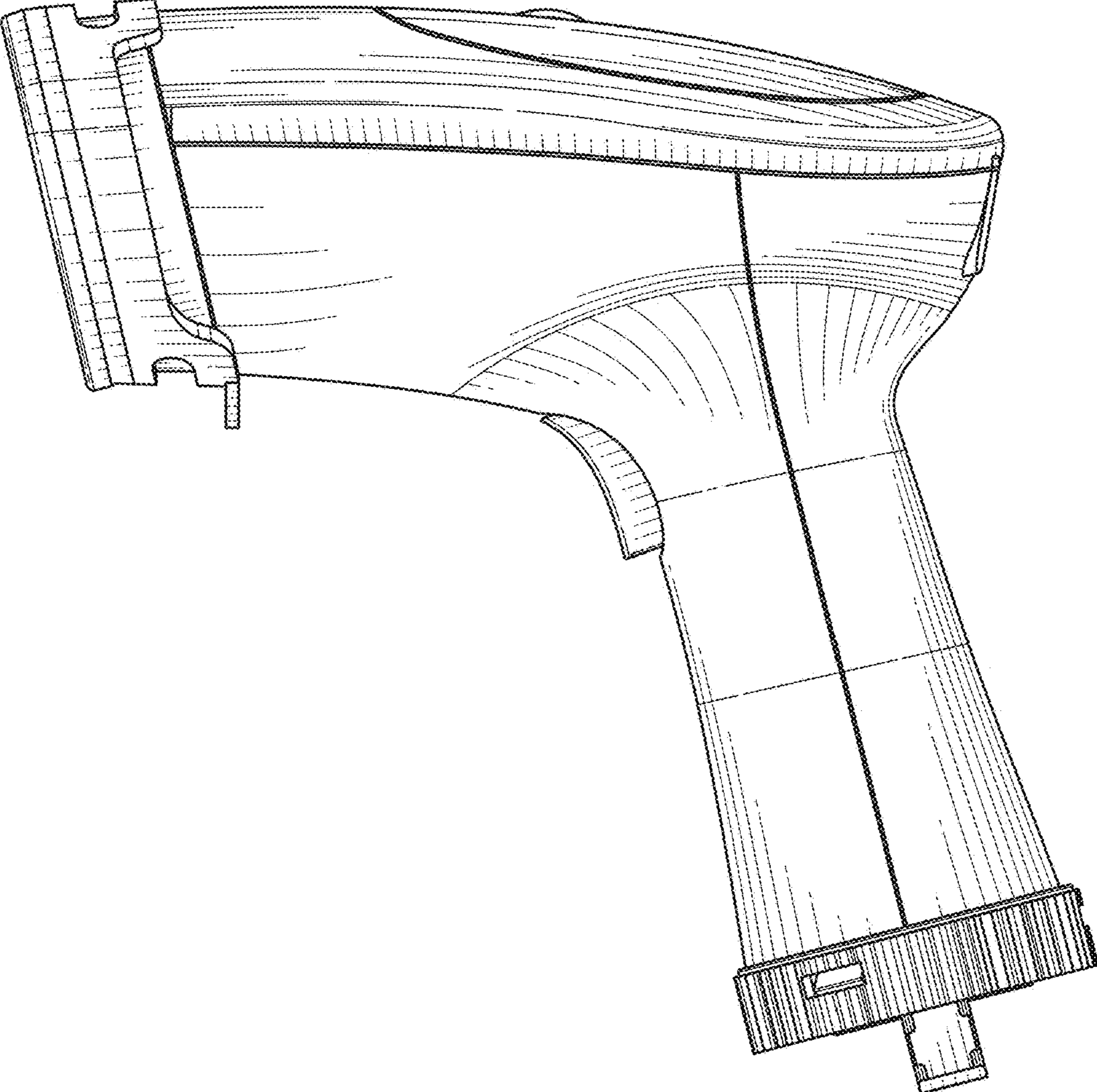


FIG. 5

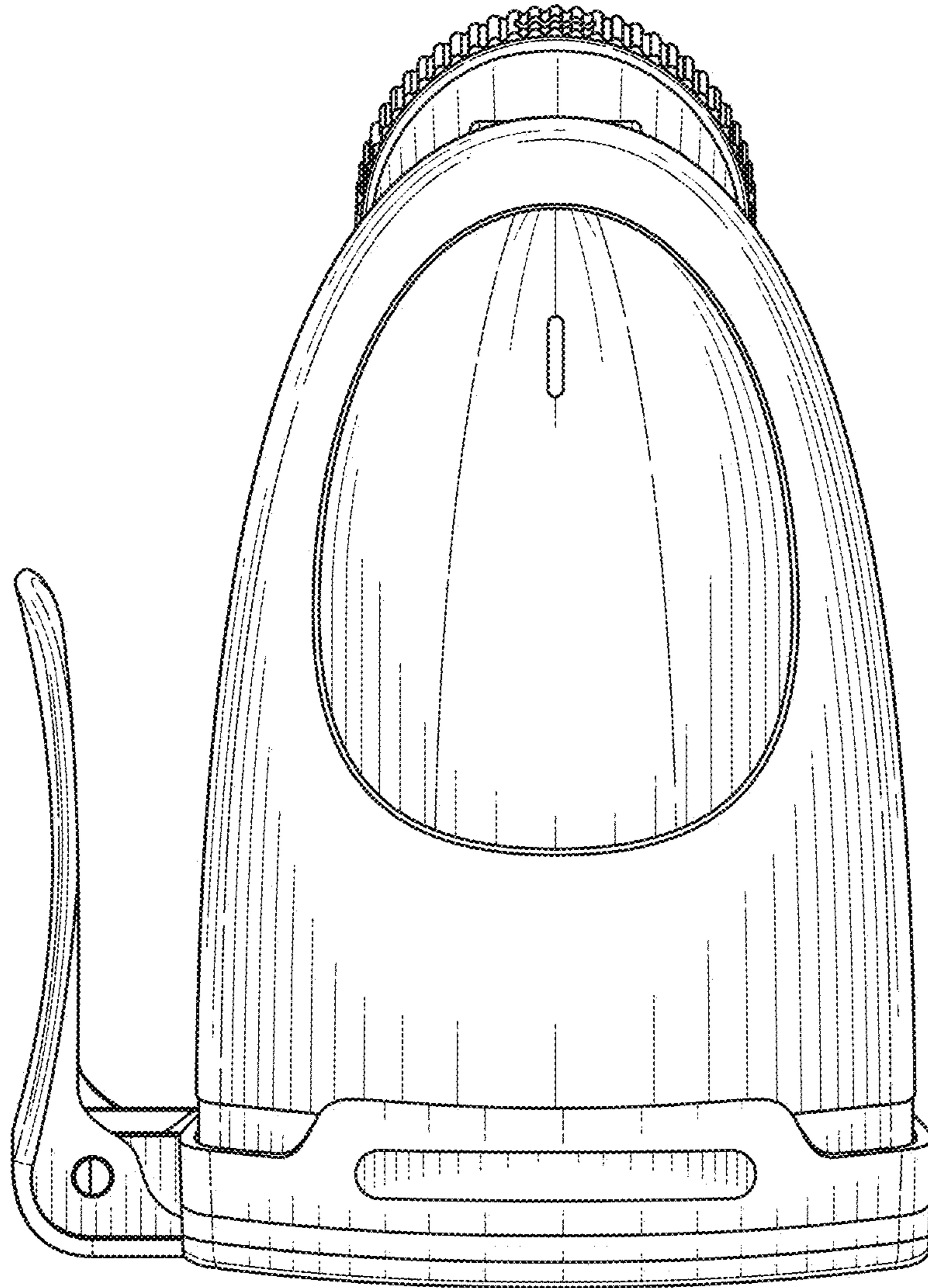


FIG. 6

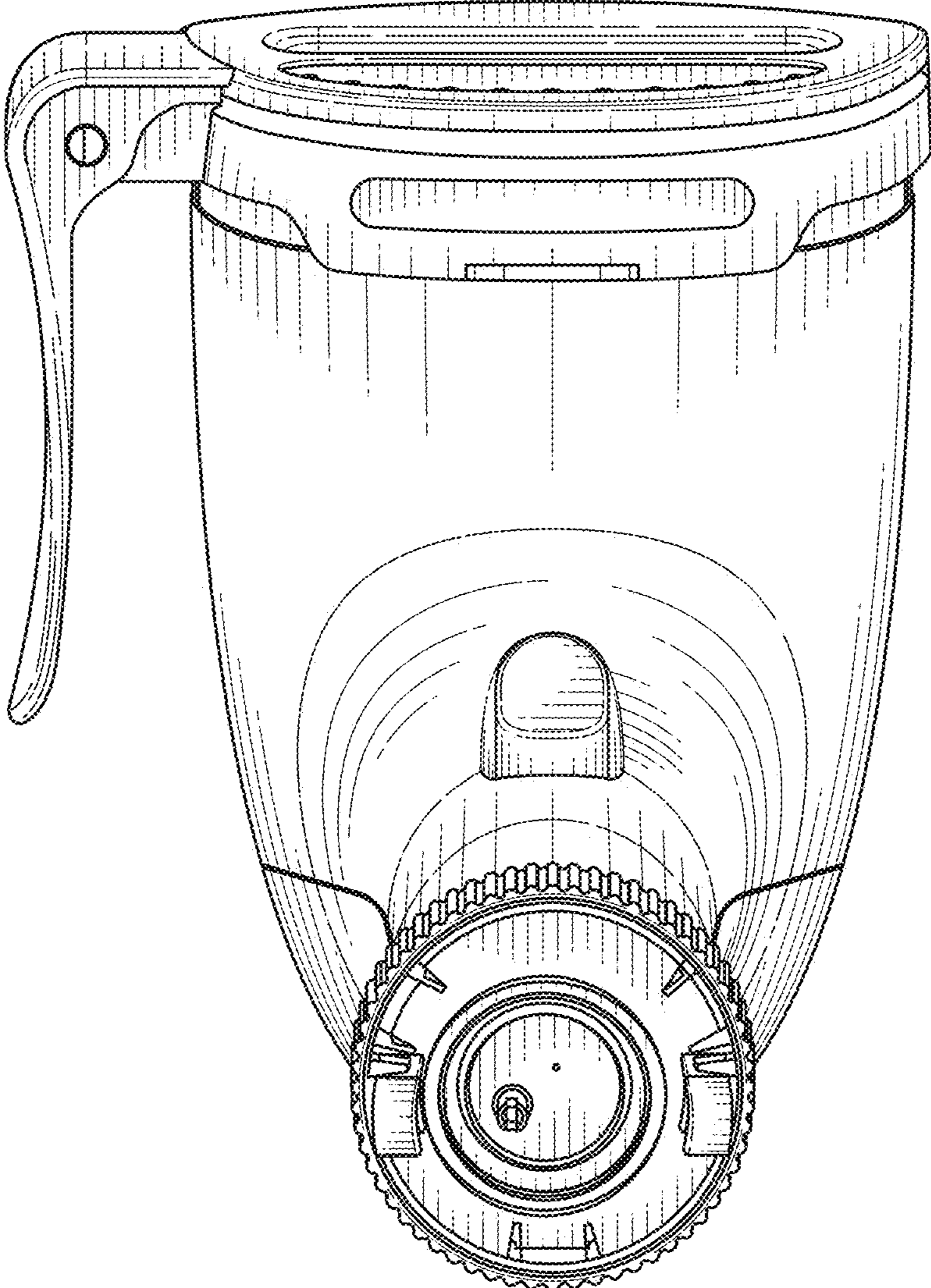


FIG. 7