



US00D842558S

(12) **United States Design Patent**
Haft et al.

(10) **Patent No.:** **US D842,558 S**

(45) **Date of Patent:** **** Mar. 5, 2019**

(54) **DISHWASHER FILTER CAP**

RE37,831 E * 9/2002 Thies A47L 15/4204
134/10

(71) Applicant: **Wolf Appliance, Inc.**, Fitchburg, WI
(US)

D561,413 S * 2/2008 Song D32/3
D564,141 S * 3/2008 Gaa D32/3

(Continued)

(72) Inventors: **Thomas Haft**, Madison, WI (US); **Joel Andrew Schmidt**, Oregon, WI (US);
Jacob Tyler Riggs, Oregon, WI (US);
L Tuck Foree, Jr., Waunakee, WI (US)

Primary Examiner — Michelle E. Wilson

(74) *Attorney, Agent, or Firm* — Bell & Manning, LLC

(73) Assignee: **Wolf Appliance, Inc.**, Fitchburg, WI
(US)

(57) **CLAIM**

We claim the ornamental design for a dishwasher filter cap, as shown and described.

(**) Term: **15 Years**

(21) Appl. No.: **29/578,757**

DESCRIPTION

(22) Filed: **Sep. 23, 2016**

(51) **LOC (11) Cl.** **15-05**

(52) **U.S. Cl.**
USPC **D32/3**

(58) **Field of Classification Search**
USPC D32/1-3, 25-27; D23/213, 218, 221
CPC .. A47L 15/00; A47L 15/0002; A47L 15/0005;
A47L 15/0007; A47L 15/0015; A47L
15/0023
See application file for complete search history.

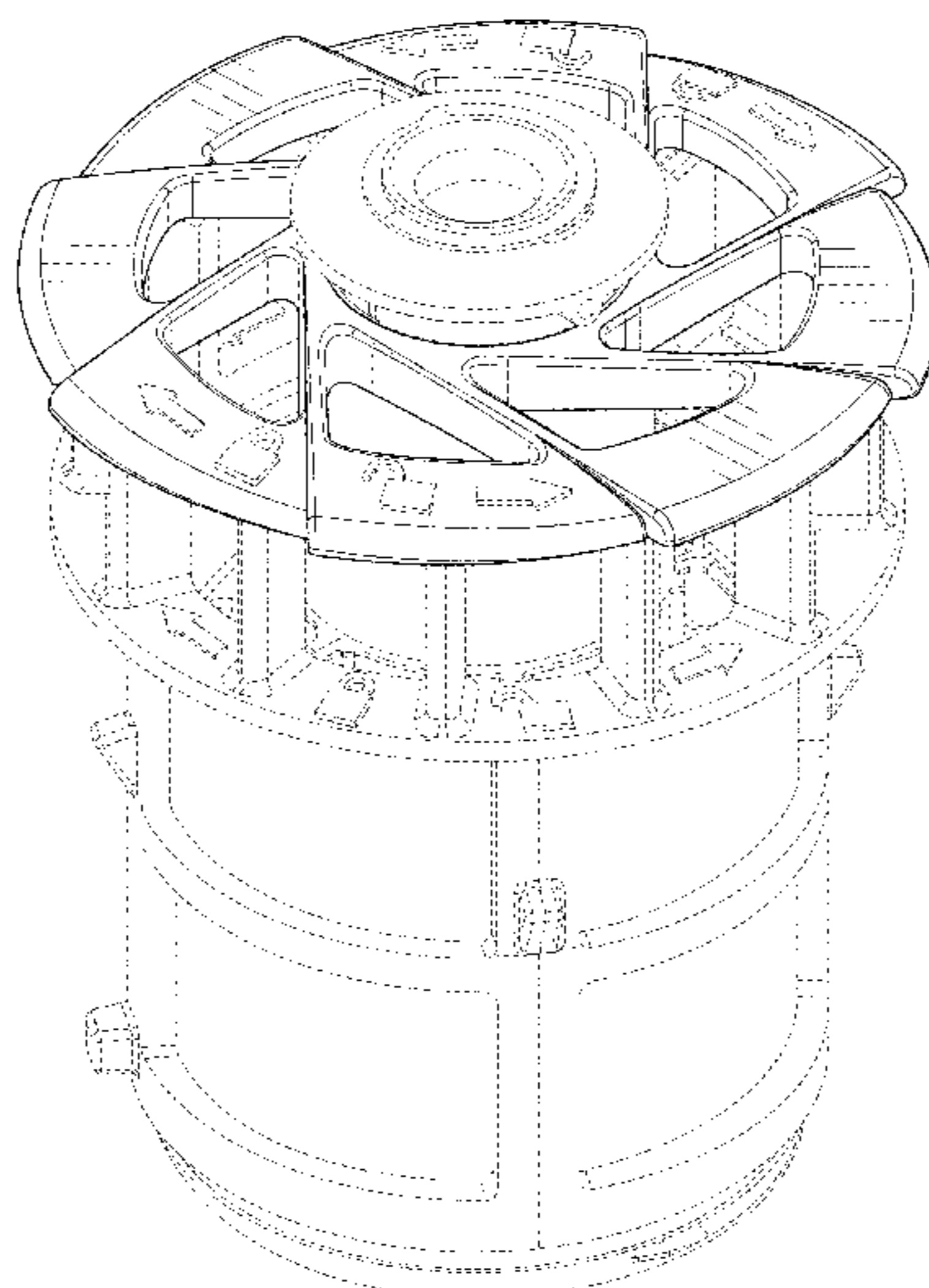
FIG. 1 is a front perspective view of a dishwasher filter cap shown in its environment of a dishwasher;
FIG. 2 is a front, right perspective view of the dishwasher filter cap of FIG. 1 attached to a filter;
FIG. 3 is a front elevation view of the dishwasher filter cap of FIG. 2;
FIG. 4 is a back elevation view of the dishwasher filter cap of FIG. 2;
FIG. 5 is a right elevation view of the dishwasher filter cap of FIG. 2;
FIG. 6 is a left elevation view of the dishwasher filter cap of FIG. 2;
FIG. 7 is a top plan view of the dishwasher filter cap of FIG. 2;
FIG. 8 is a bottom plan view of the dishwasher filter cap of FIG. 2;
FIG. 9 is a left to right center cross section view of the dishwasher filter cap of FIG. 2; and,
FIG. 10 is a front to back center cross section view of the dishwasher filter cap of FIG. 2.
The broken lines in FIGS. 1-7 form no part of the claimed design. FIGS. 2-10 show the dishwasher filter cap enlarged relative to that shown in FIG. 1 with the dishwasher filter cap in its environment.

(56) **References Cited**

U.S. PATENT DOCUMENTS

2,380,090 A * 7/1945 Wallace A47L 15/23
239/231
2,905,393 A 9/1959 Federighi et al.
3,035,706 A 5/1962 Burke
D197,026 S 12/1963 Jellies et al.
4,359,250 A * 11/1982 Jenkins A47L 15/4246
312/228
D314,255 S * 1/1991 Brito D32/3
5,299,586 A * 4/1994 Jordan A47L 15/4225
134/111
5,924,433 A * 7/1999 Thies A47L 15/4246
134/179
D461,284 S 8/2002 Hegeman

1 Claim, 7 Drawing Sheets



(56)

References Cited

U.S. PATENT DOCUMENTS

D564,142	S *	3/2008	Gaa	D32/3
D601,766	S *	10/2009	Gaa	D32/3
D608,960	S *	1/2010	Gaa	D32/3
D675,386	S *	1/2013	Burrows	D32/3
D675,387	S *	1/2013	Burrows	D32/3
D718,007	S	11/2014	Baldwin et al.	
D720,509	S	12/2014	Baldwin et al.	
D748,352	S	1/2016	Baldwin et al.	
D761,500	S *	7/2016	Feddema	D32/3
D776,372	S	1/2017	Haft et al.	
D799,763	S *	10/2017	Haft	D32/3
D799,764	S *	10/2017	Haft	D32/3
D799,765	S *	10/2017	Haft	D32/3
D799,766	S *	10/2017	Haft	D32/3
D800,398	S *	10/2017	Haft	D32/3
2004/0163680	A1	8/2004	Elick et al.	
2004/0200507	A1 *	10/2004	Williams	A47L 15/4246 134/25.2
2006/0005863	A1	1/2006	Gurubatham et al.	
2006/0060228	A1	3/2006	Yoon et al.	
2008/0072934	A1	3/2008	Pyo et al.	
2008/0149148	A1	6/2008	Woo et al.	
2010/0006125	A1	1/2010	Kim	
2010/0012160	A1	1/2010	Jeong et al.	
2011/0226289	A1	9/2011	Förster	
2012/0186609	A1	7/2012	Haltmayer et al.	
2013/0056029	A1	3/2013	Boyer et al.	
2013/0220386	A1	8/2013	Jozwiak	
2014/0158168	A1	6/2014	Thiyagarajan	
2015/0000714	A1	1/2015	Yoo et al.	
2015/0352472	A1	12/2015	Haft et al.	

* cited by examiner

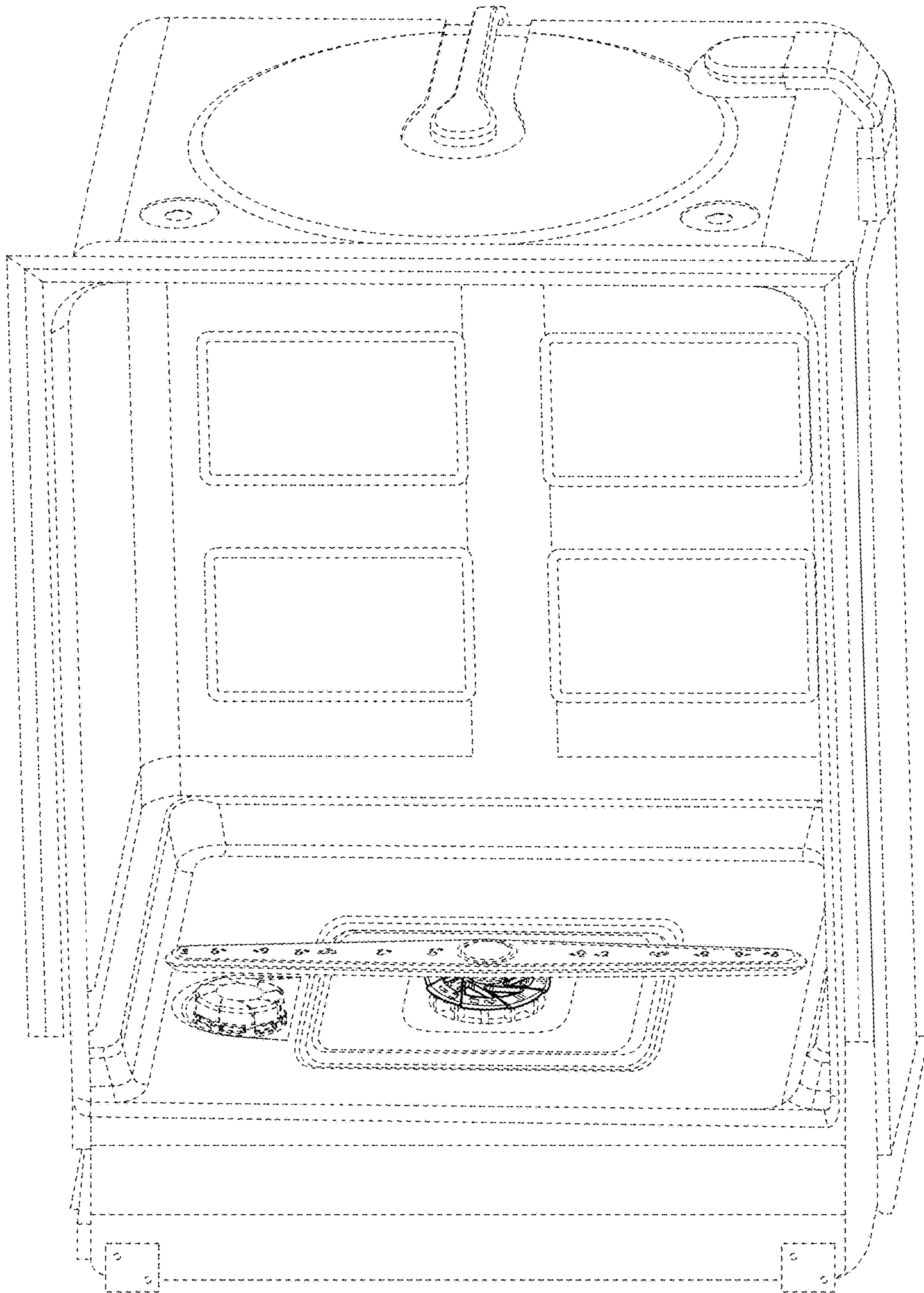


FIG. 1

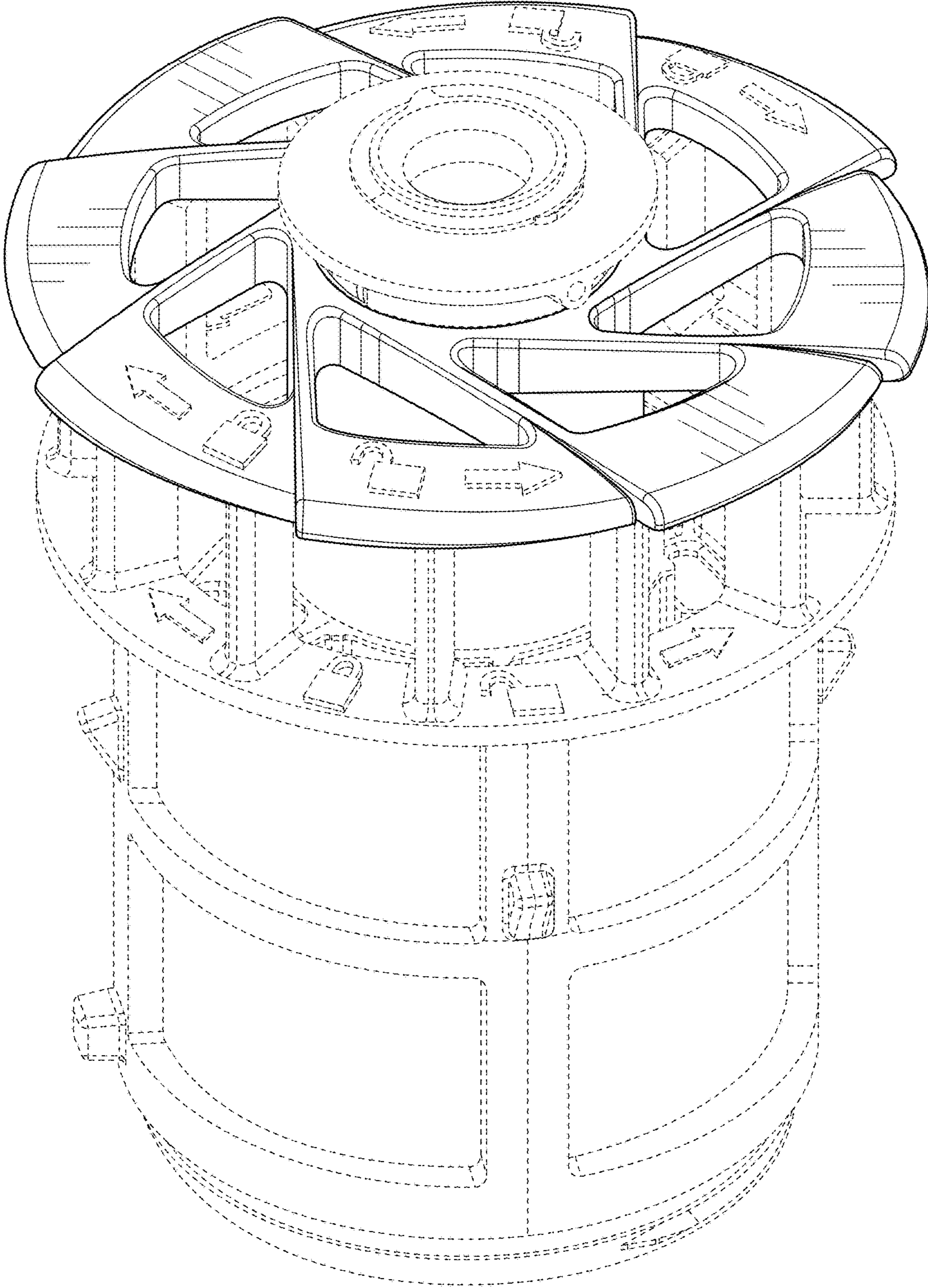


FIG. 2

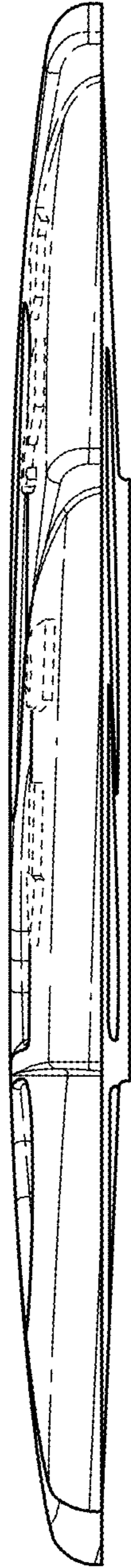


FIG. 3



FIG. 4



FIG. 5



FIG. 6

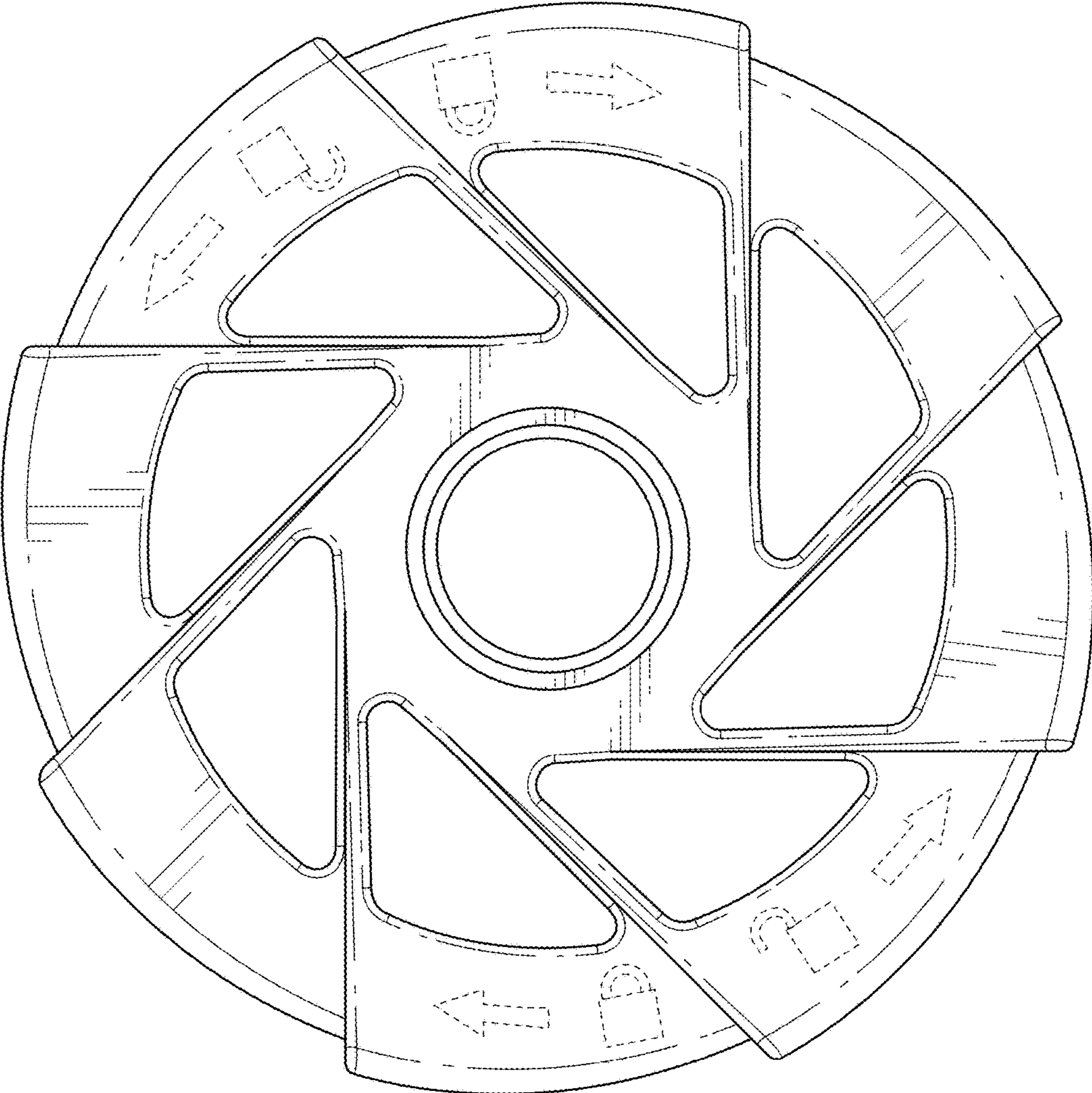


FIG. 7

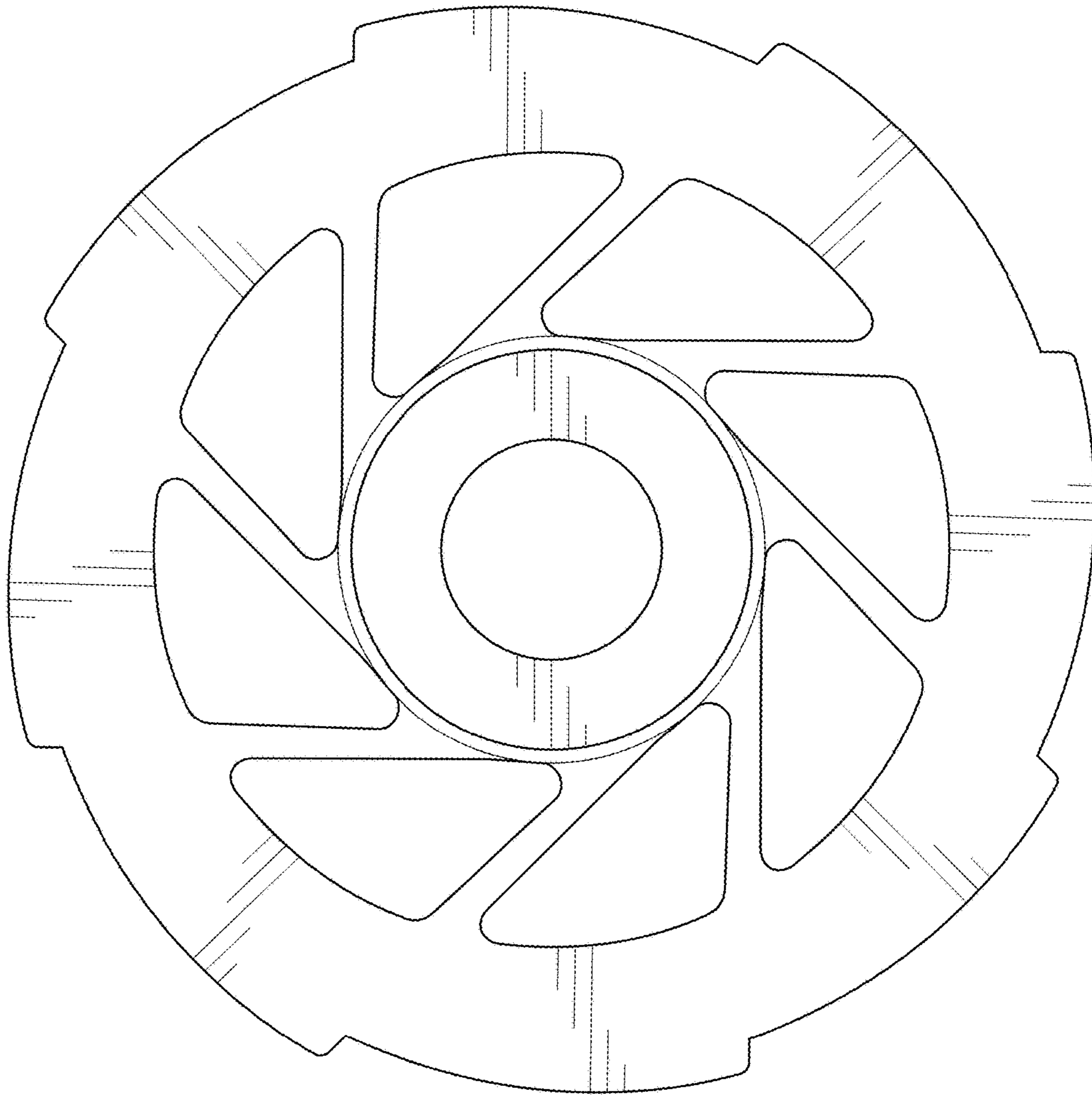


FIG. 8

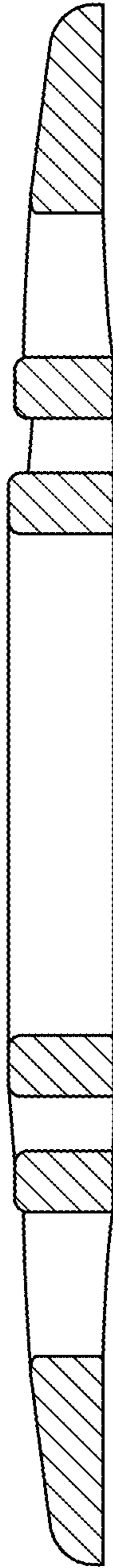


FIG. 9



FIG. 10