



US00D842557S

(12) **United States Design Patent**
Gardner

(10) **Patent No.:** **US D842,557 S**

(45) **Date of Patent:** **** Mar. 5, 2019**

- (54) **CAT TOY**
- (71) Applicant: **WITH A PURPOSE PRODUCTS LLC**, Los Angeles, CA (US)
- (72) Inventor: **Christopher Gardner**, Los Angeles, CA (US)
- (73) Assignee: **WITH A PURPOSE PRODUCTS, LLC**, Los Angeles, CA (US)
- (**) Term: **15 Years**
- (21) Appl. No.: **29/575,273**
- (22) Filed: **Aug. 23, 2016**
- (51) **LOC (11) Cl.** **30-99**
- (52) **U.S. Cl.**
USPC **D30/160; D30/118**
- (58) **Field of Classification Search**
USPC D30/158, 160; D21/402, 415, 438, 563, D21/59, 398, 465, 467; 119/707-718, 119/727, 741, 801, 868
CPC A01K 29/00; A01K 15/02; A01K 15/025
See application file for complete search history.

- D614,364 S * 4/2010 Kellogg D30/160
- D645,215 S * 9/2011 Lee D30/160
- 8,011,326 B2 * 9/2011 del Pinal A01K 15/025
119/707
- D659,305 S * 5/2012 Song D30/160
- 8,181,606 B1 * 5/2012 Kirschbaum A01K 15/025
119/707
- 8,336,501 B2 * 12/2012 Haaf A01K 13/004
119/621

(Continued)

Primary Examiner — Barbara Fox
Assistant Examiner — Mehri F Bajoul
(74) *Attorney, Agent, or Firm* — The Myers Law Group

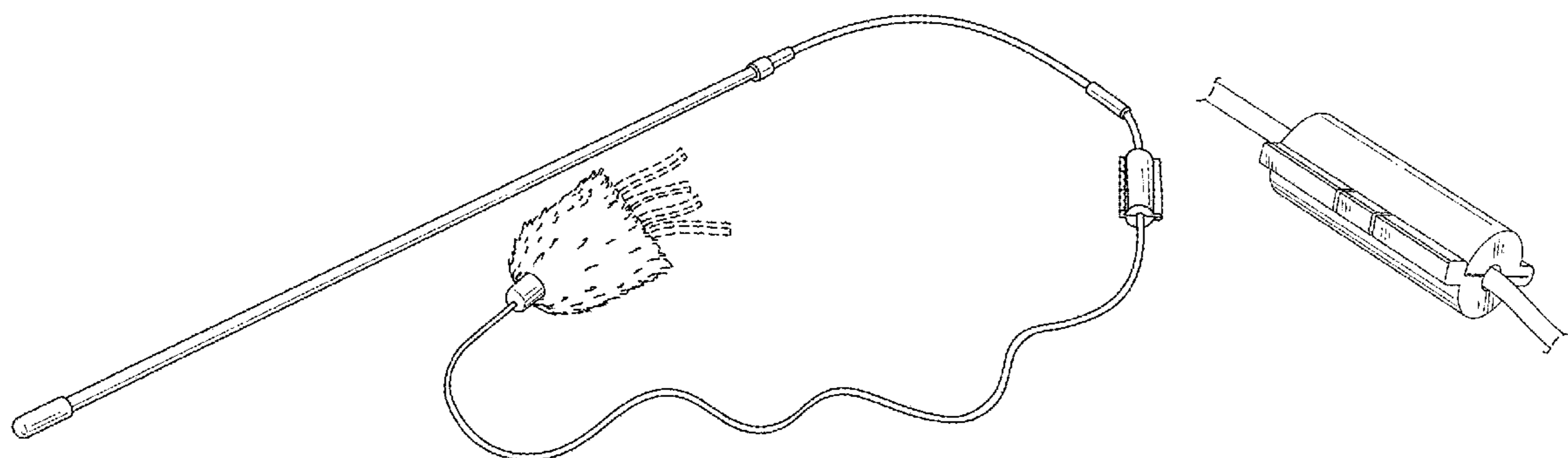
(57) **CLAIM**

The ornament design for a “cat toy,” as shown and described.

DESCRIPTION

FIG. 1 is a perspective view of a cat toy showing my new design;
FIG. 2 is a top plan view thereof with the string truncated to show the relationship between several parts thereof;
FIG. 3 is a cross sectional view taken along the line 3-3 of FIG. 2;
FIG. 4 is a bottom plan view of the play end of the cat toy taken in the direction of line 4-4 in FIG. 2
FIG. 5 is a front perspective view of the connector element of the cat toy in a closed position;
FIG. 6 is a top plan view of the connector element of the cat toy; and,
FIG. 7 is a front perspective view of the connector element of the cat toy in an open position.
The broken lines in FIGS. 1, 2, 4, and 7 depict portions of the cat toy that form no part of the claimed design.
The drawings are shown with a symbolic break in its length and width. The appearance of any portion of the article between the break lines forms no part of the claimed design.

1 Claim, 3 Drawing Sheets



(56)

References Cited

U.S. PATENT DOCUMENTS

8,505,239 B2 * 8/2013 Tompkins, IV A01G 13/10
47/65.5
8,640,653 B2 * 2/2014 Cook A01K 15/025
119/707
D714,497 S * 9/2014 Cogswell D30/160
D721,211 S * 1/2015 Lee D30/160
8,944,011 B2 * 2/2015 Kirschbaum A01K 15/025
119/707
D723,752 S * 3/2015 Davis-David D30/160
D724,279 S * 3/2015 Paculdo D30/160
8,978,591 B2 * 3/2015 Cogswell A01K 15/027
119/708
8,997,695 B2 * 4/2015 Riding A01K 15/025
119/707
D774,709 S * 12/2016 Kellogg D30/160
2015/0257364 A1 * 9/2015 Renforth A01K 15/025
119/708
2015/0257365 A1 * 9/2015 Renforth A01K 15/025
119/708
2016/0165843 A1 * 6/2016 Kirschbaum A01K 15/025
119/708

* cited by examiner

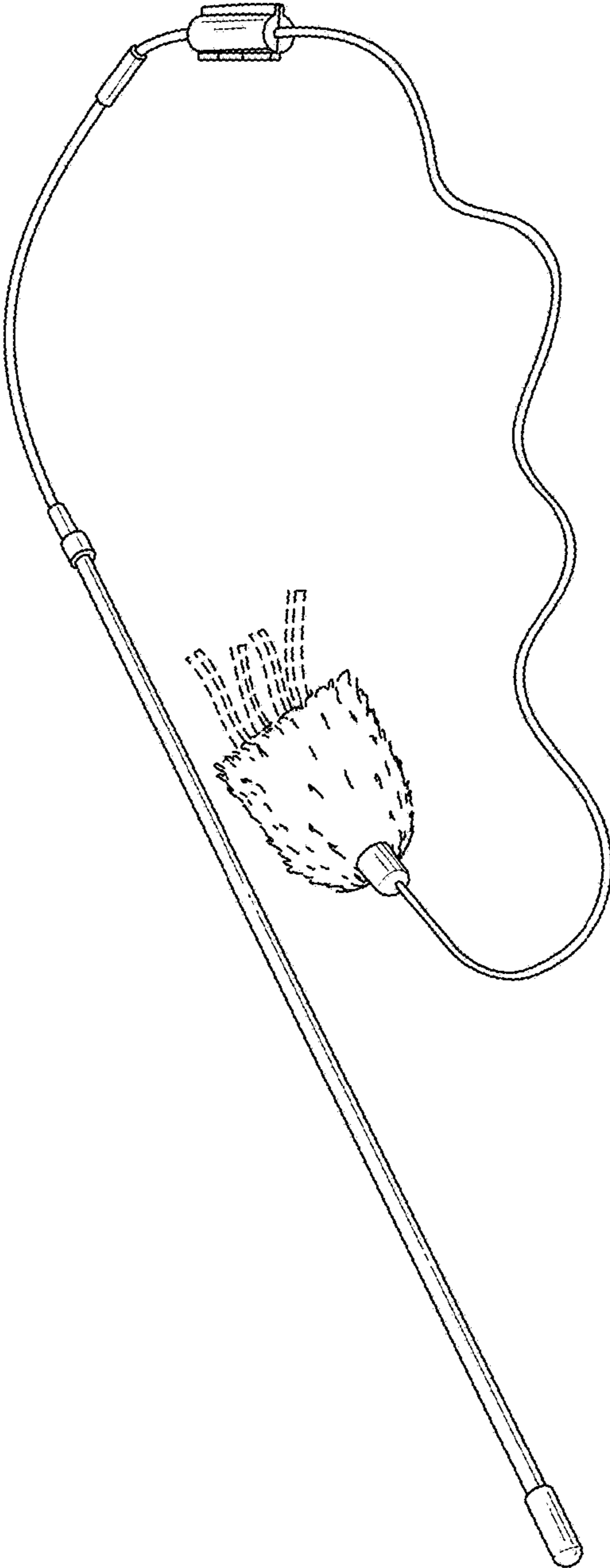
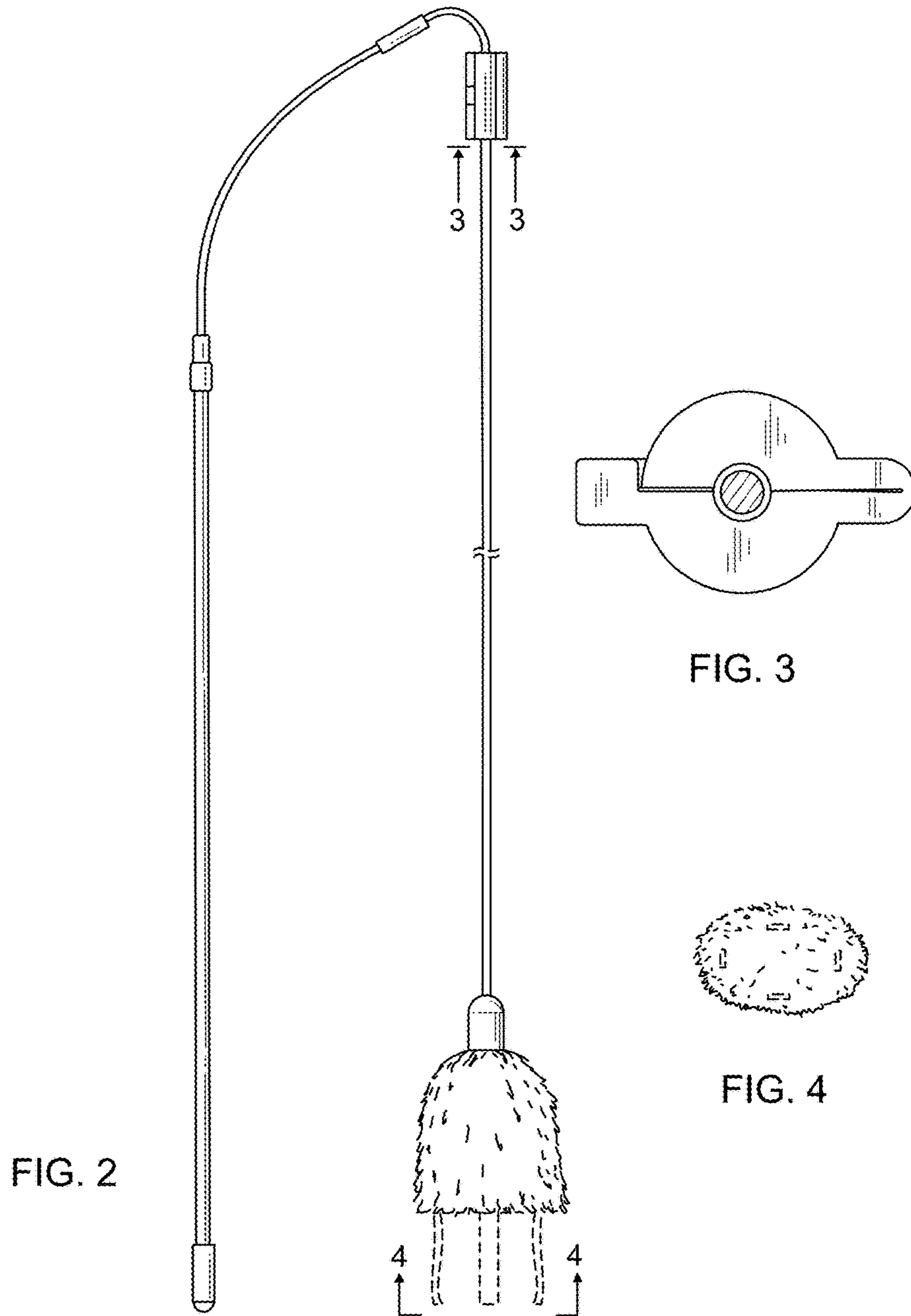


FIG. 1



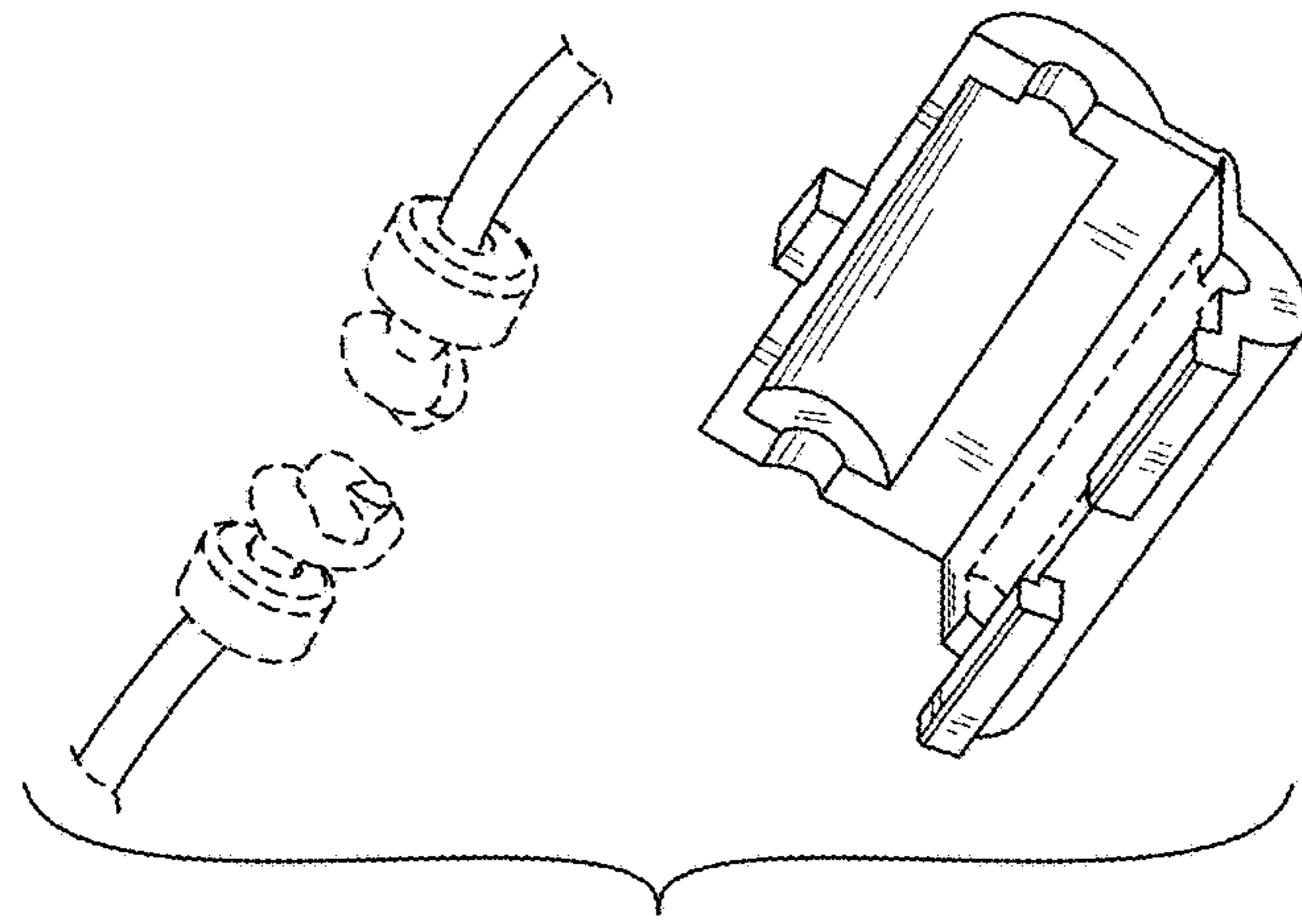


FIG. 7

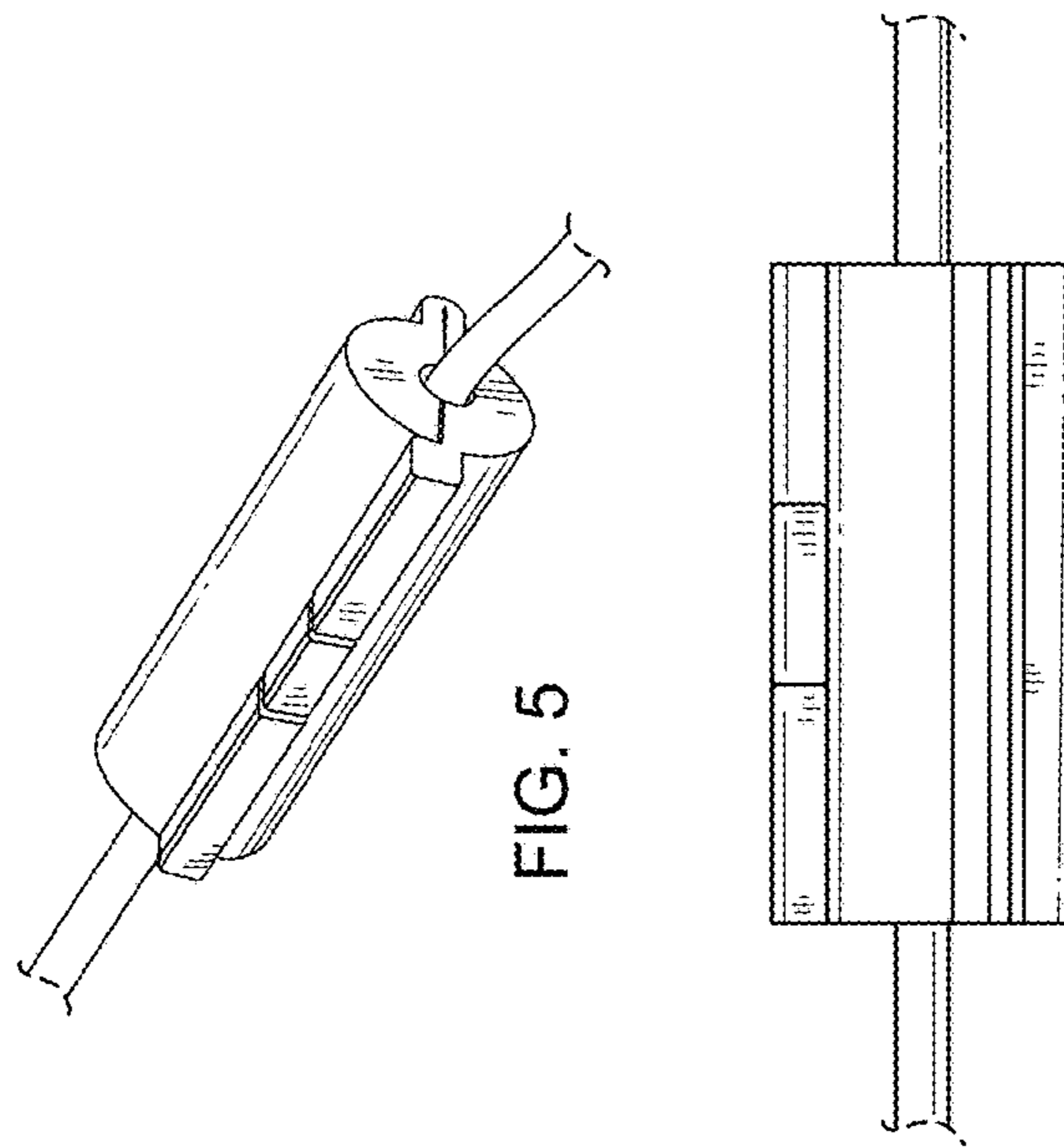


FIG. 5

FIG. 6