

US00D842556S

(12) **United States Design Patent** (10) **Patent No.:** **US D842,556 S**  
**Gutierrez** (45) **Date of Patent:** **\*\* Mar. 5, 2019**

(54) **ANIMAL TOY**  
(71) Applicant: **PulsePet, LLC**, Dallas, TX (US)  
(72) Inventor: **Santiago Gutierrez**, Dallas, TX (US)  
(73) Assignee: **PulsePet, LLC**, Dallas, TX (US)  
(\*\*) Term: **15 Years**  
(21) Appl. No.: **29/564,654**  
(22) Filed: **May 13, 2016**  
(51) **LOC (11) Cl.** ..... **30-99**  
(52) **U.S. Cl.**  
USPC ..... **D30/160**  
(58) **Field of Classification Search**  
USPC ..... D21/398, 400, 402, 412, 415, 426, 436,  
D21/439, 440, 441, 443, 455, 460, 461,  
D21/462, 466, 467, 468, 479, 495, 563,  
D21/656, 712, 713, 788, 799.1, 470, 681;  
D30/160; D24/211, 214, 215  
CPC ..... A01K 15/024; A01K 15/25; A01K 15/26;  
A01K 15/27; A63B 69/00; A63B 69/34;  
A63B 69/004; A63B 2208/12; A63H  
3/06; A63F 7/0652  
See application file for complete search history.

D709,251 S \* 7/2014 Lee ..... D30/160  
D751,724 S \* 3/2016 Nelson ..... D24/211  
D777,340 S \* 1/2017 Nelson ..... D24/211  
D799,779 S \* 10/2017 Aho ..... D34/33  
2008/0039299 A1\* 2/2008 Crawford ..... A63B 21/0607  
482/107  
2009/0203506 A1\* 8/2009 Kessler ..... A63B 21/0726  
482/108  
2017/0064926 A1\* 3/2017 Gutierrez ..... A01K 15/025  
2017/0094943 A1\* 4/2017 Wilson ..... A01K 15/025  
2017/0105390 A1\* 4/2017 Wilson ..... A01K 15/027

**OTHER PUBLICATIONS**

GoBone—Home\_Facebook, [online], [site visited Oct. 23, 2017]. Available from Internet, URL:https://www.facebook.com/myGoBone/\*  
GoBone—All-day play for you and your dog, [online], [site visited Oct. 23, 2017]. Available from Internet, URL:https://mygobone.com/?v=7516fd43adaa.\*

(Continued)

*Primary Examiner* — Caron D Veynar  
*Assistant Examiner* — Katrina N Gonzalez

(57) **CLAIM**

An ornamental design for an “animal toy,” as shown and described.

(56) **References Cited**

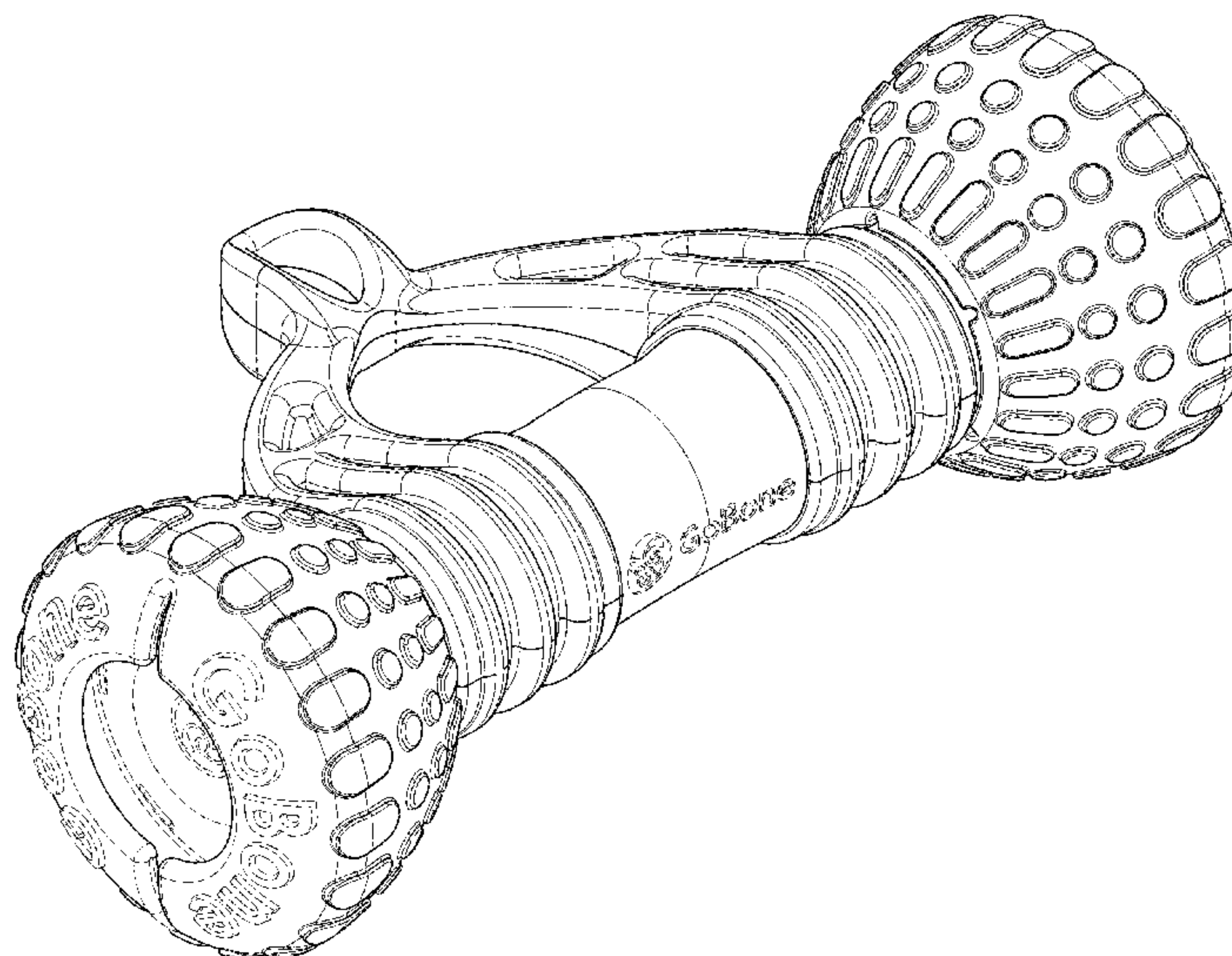
**U.S. PATENT DOCUMENTS**

D387,816 S \* 12/1997 Krull ..... D21/406  
D410,706 S \* 6/1999 Toft ..... D21/487  
D497,457 S \* 10/2004 Willinger ..... A01K 15/026  
D24/211  
D504,748 S \* 5/2005 Jager ..... D24/211  
D587,411 S \* 2/2009 Rezny ..... D30/160  
D587,862 S \* 3/2009 Rutherford ..... D30/160  
7,600,488 B2 \* 10/2009 Mann ..... A01K 15/026  
119/710  
D626,706 S \* 11/2010 Ragonetti ..... D30/160  
D708,418 S \* 7/2014 Allen ..... D1/106

**DESCRIPTION**

FIG. 1 is a front perspective view of the animal toy; FIG. 2 is a front view of the animal toy; FIG. 3 is a rear view of the animal toy; FIG. 4 is a right view of the animal toy; FIG. 5 is a left view of the animal toy; FIG. 6 is a top view of the animal toy; and, FIG. 7 is a bottom view of the animal toy. The broken lines shown in the drawings represent portions of the animal toy that form no part of the claimed design.

**1 Claim, 7 Drawing Sheets**



(56)

**References Cited**

OTHER PUBLICATIONS

GoBone\_ Kickstarter, [online], [site visited Oct. 23, 2017]. Available from Internet, URL:<https://www.kickstarter.com/projects/santiagogutierrez/gobone-all-day-play-for-you-and-your-dog/description>.\*

Daily Mail, [online], [site visited Oct. 23, 2017]. Available from Internet, URL:<http://www.dailymail.co.uk/sciencetech/article-3645728/The-smart-bone-dog-occupied-day-let-play-office.html>.\*

Go big or GoBone\_ PulsePet from Digital Trends, [online], [site visited Oct. 23, 2017]. Available from Internet, URL:<https://www.digitaltrends.com/home/gobone-petpulse-smartbone/>.\*

\* cited by examiner



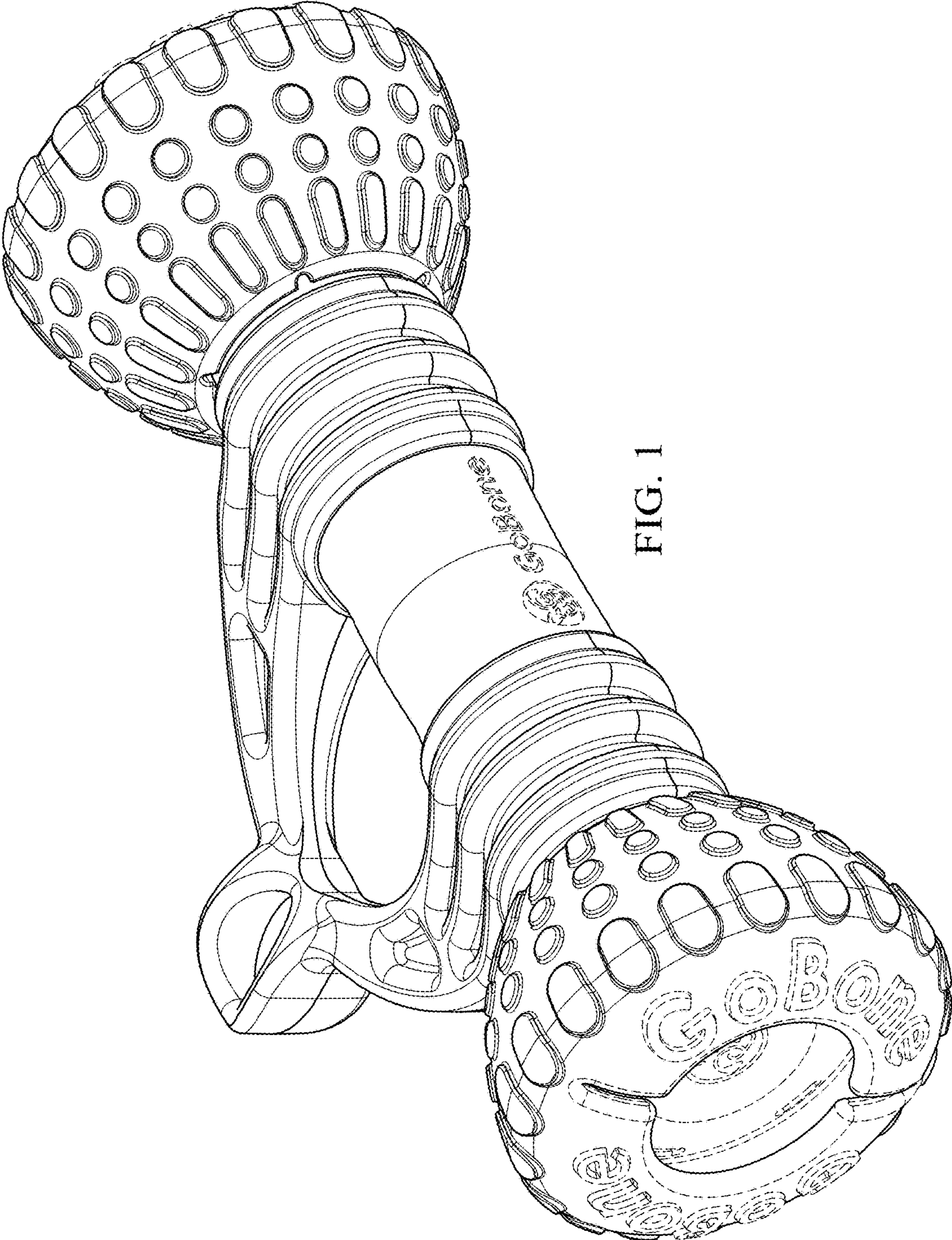


FIG. 1

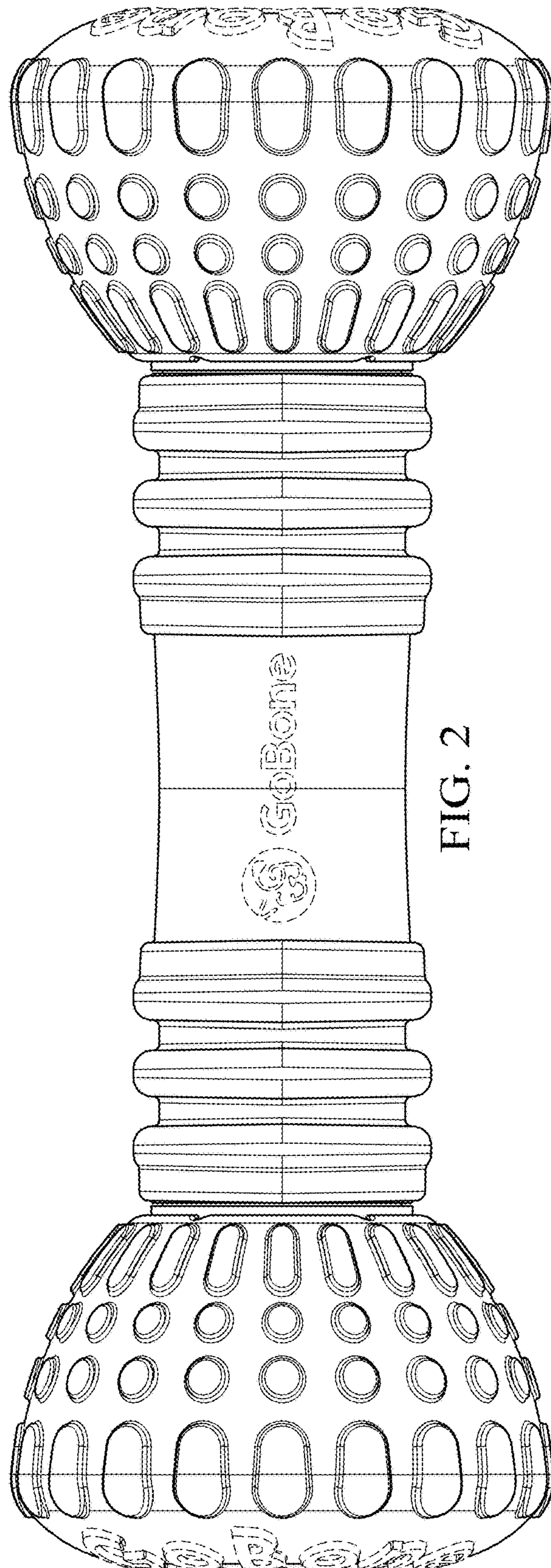


FIG. 2



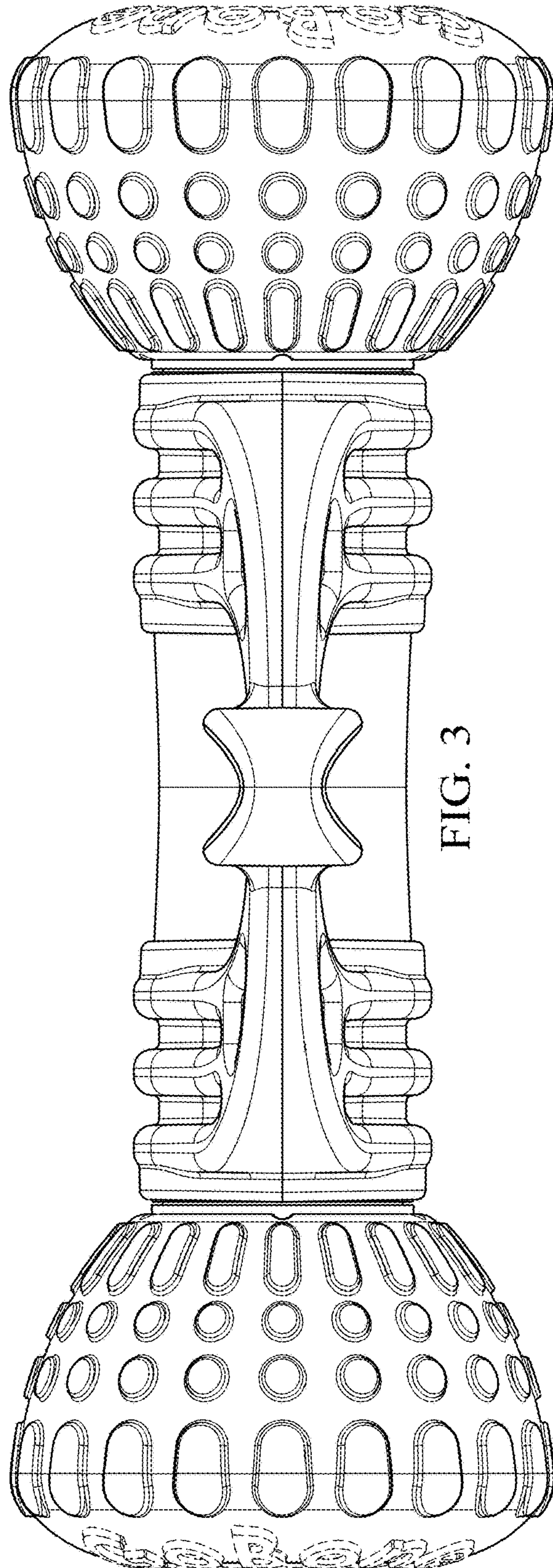


FIG. 3

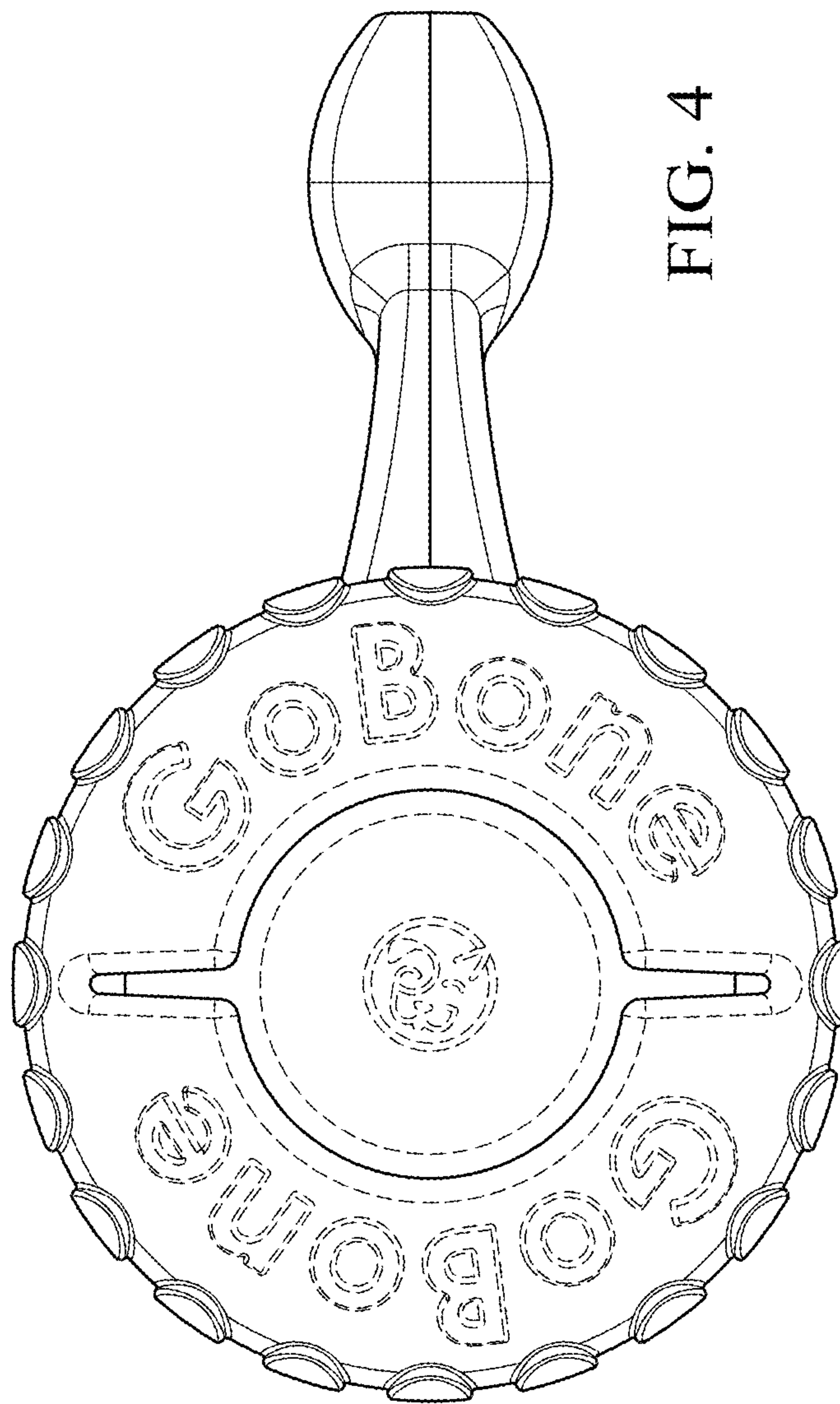


FIG. 4

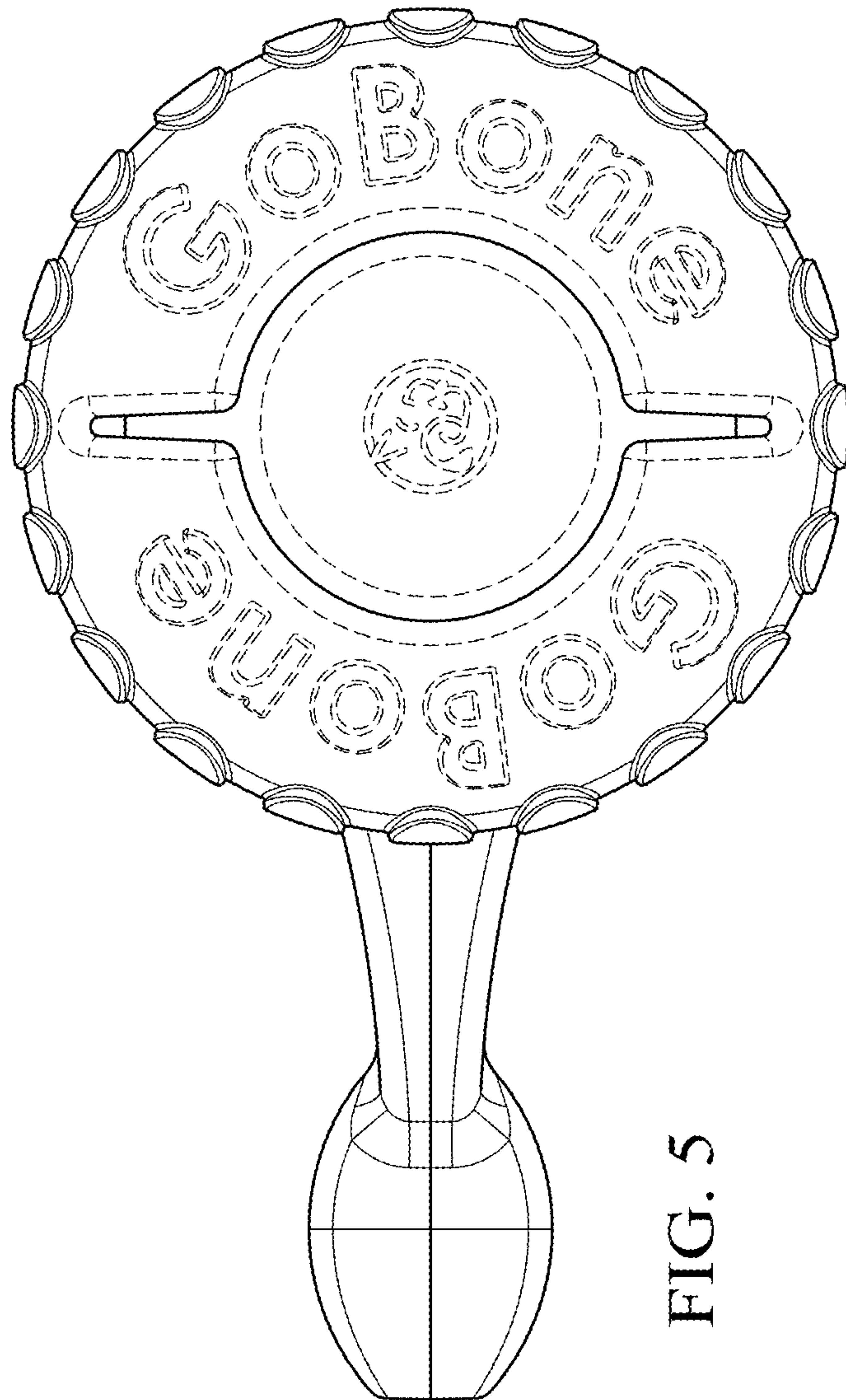


FIG. 5



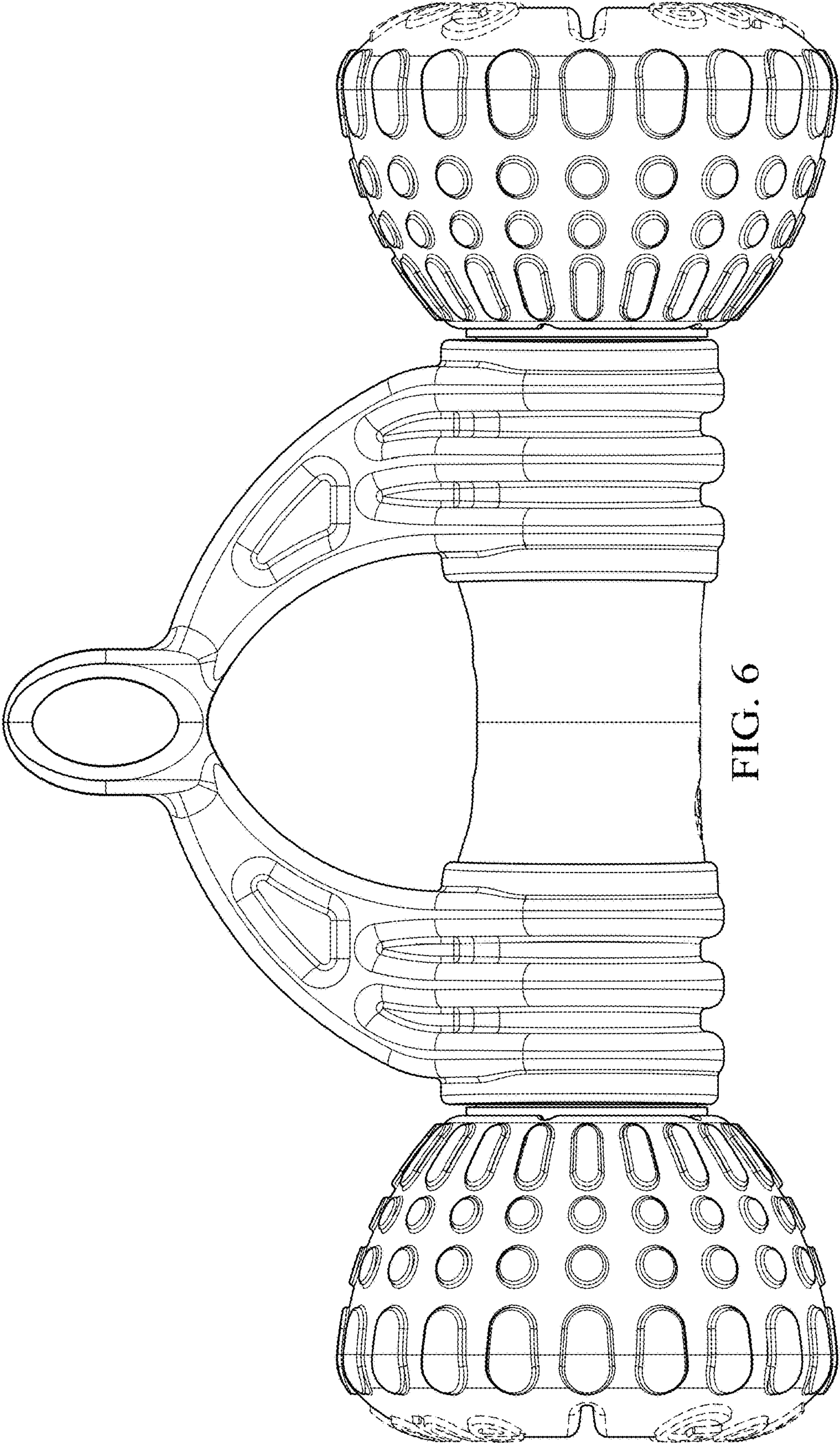


FIG. 6



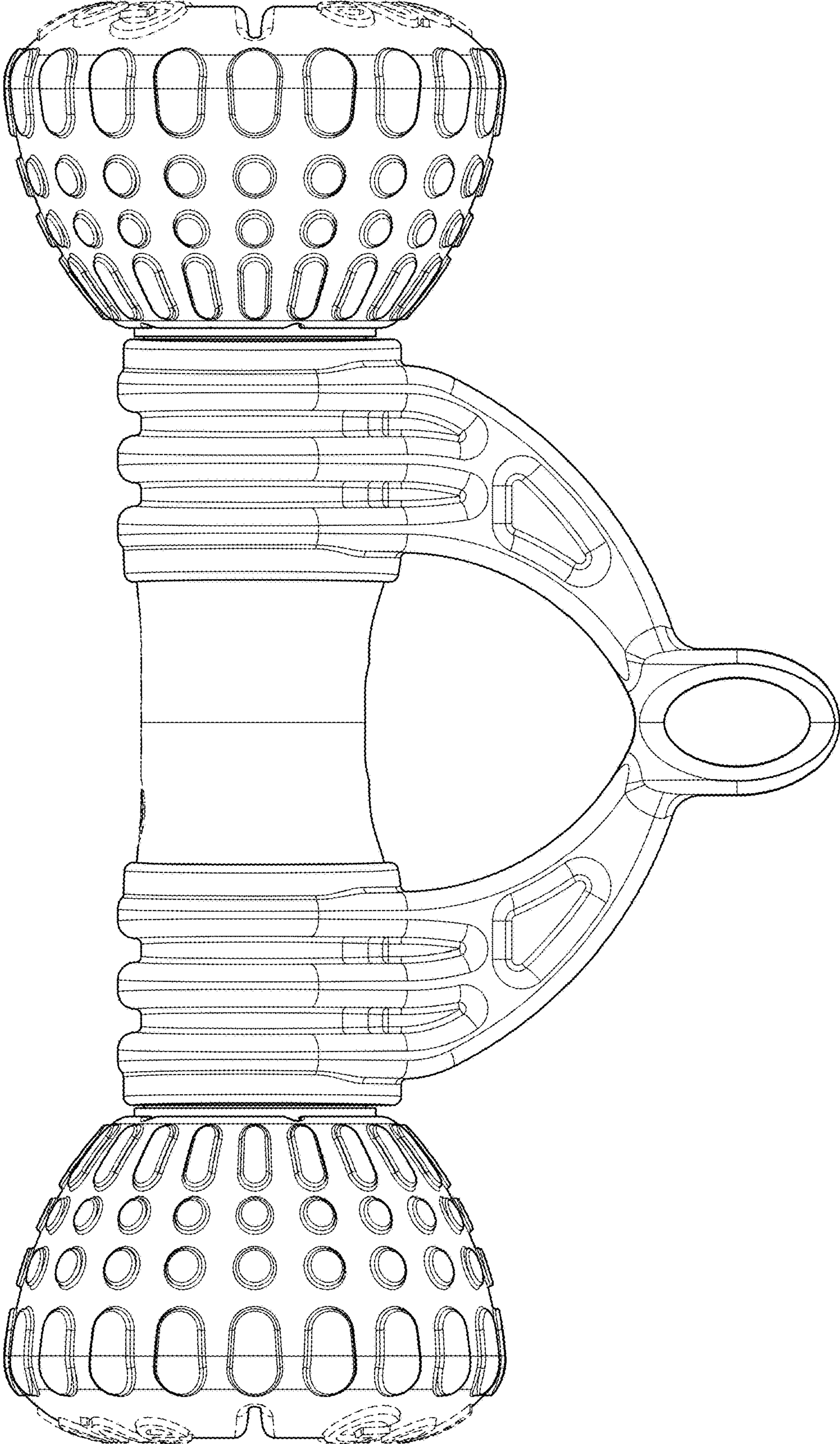


FIG. 7