

US00D842555S

(12) **United States Design Patent**
Chen

(10) **Patent No.:** **US D842,555 S**

(45) **Date of Patent:** **** Mar. 5, 2019**

(54) **PET BED**

(71) Applicant: **Li-Chen Chen**, Tainan (TW)

(72) Inventor: **Li-Chen Chen**, Tainan (TW)

(**) Term: **15 Years**

(21) Appl. No.: **29/599,862**

(22) Filed: **Apr. 7, 2017**

(51) **LOC (11) Cl.** **30-02**

(52) **U.S. Cl.**
USPC **D30/118**

(58) **Field of Classification Search**
USPC D30/108-114, 118, 119, 120, 160-162,
D30/199; D6/382, 405-406.6, 675.5,
D6/676.2, 680.03, 718-718.22; 5/95,
5/98.1, 99.1
CPC A47D 7/04; A47D 13/06; A47D 13/063;
E04H 1/1272; B64G 9/00; A01K 1/011;
A01K 1/0107

See application file for complete search history.

(56) **References Cited**

U.S. PATENT DOCUMENTS

- 5,339,470 A * 8/1994 Shamie A47D 13/063
5/93.2
- 5,454,124 A * 10/1995 Huang A47D 13/063
5/98.1
- D397,882 S * 9/1998 Wu D6/331
- 6,543,070 B2 * 4/2003 Longenecker A47D 5/006
5/655
- D494,393 S * 8/2004 Chen D6/718.26
- 9,066,607 B1 * 6/2015 Ransil A47D 7/04
- 2001/0001162 A1 * 5/2001 Warner, Jr. A47D 5/006
5/99.1
- 2002/0078499 A1 * 6/2002 Cheng A47D 7/002
5/95
- 2003/0061657 A1 * 4/2003 Longenecker A47D 13/063
5/99.1

- 2003/0177575 A1 * 9/2003 Cheng A47D 7/04
5/93.1
- 2005/0217026 A1 * 10/2005 Ramirez A47C 21/08
5/93.1
- 2006/0021138 A1 * 2/2006 Waldman A47D 13/063
5/99.1
- 2010/0132115 A1 * 6/2010 Hsu A47D 13/063
5/98.1
- 2014/0068857 A1 * 3/2014 Jackson A47D 13/063
5/98.1

OTHER PUBLICATIONS

Foppapedretti, "baby bed", https://www.foppapedretti.it/it/fpyoung/index.php?option=com_content&task=view&id=205&Itemid=47.
Foppapedretti, "baby bed", https://www.j-platpat.inpit.go.jp/web/ishou/dpdj/DPDJ_GM101_Top.action.

* cited by examiner

Primary Examiner — Barbara Fox

Assistant Examiner — Mehri F Bajoul

(74) *Attorney, Agent, or Firm* — Li & Cai Intellectual Property (USA) Office

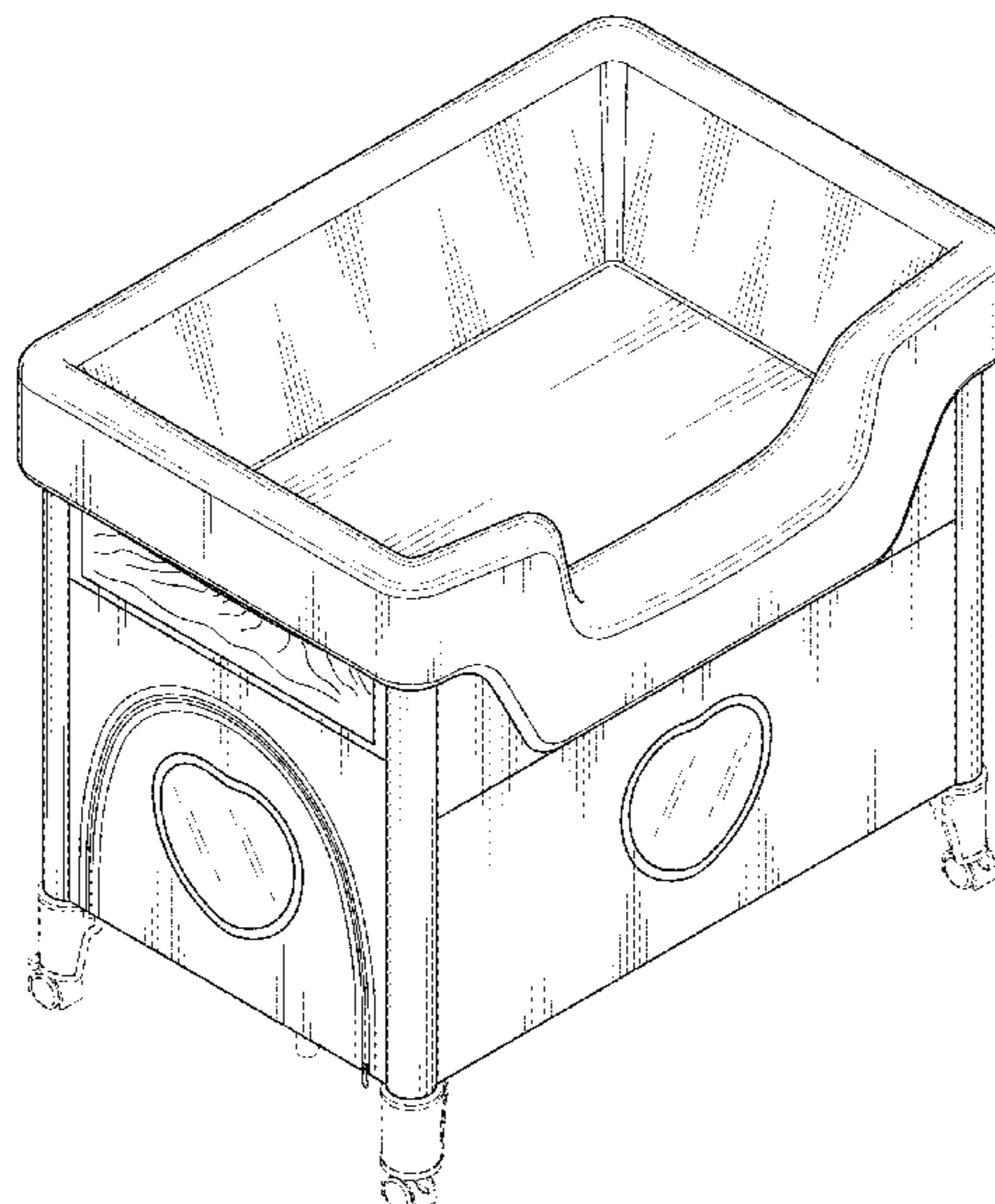
(57) **CLAIM**

The ornamental design for a pet bed, as shown and described.

DESCRIPTION

FIG. 1 is a perspective view of a pet bed showing my new design;
FIG. 2 is a front view thereof;
FIG. 3 is a rear view thereof;
FIG. 4 is a left side view thereof;
FIG. 5 is a right side view thereof;
FIG. 6 is a top view thereof; and,
FIG. 7 is a bottom view thereof.

1 Claim, 7 Drawing Sheets



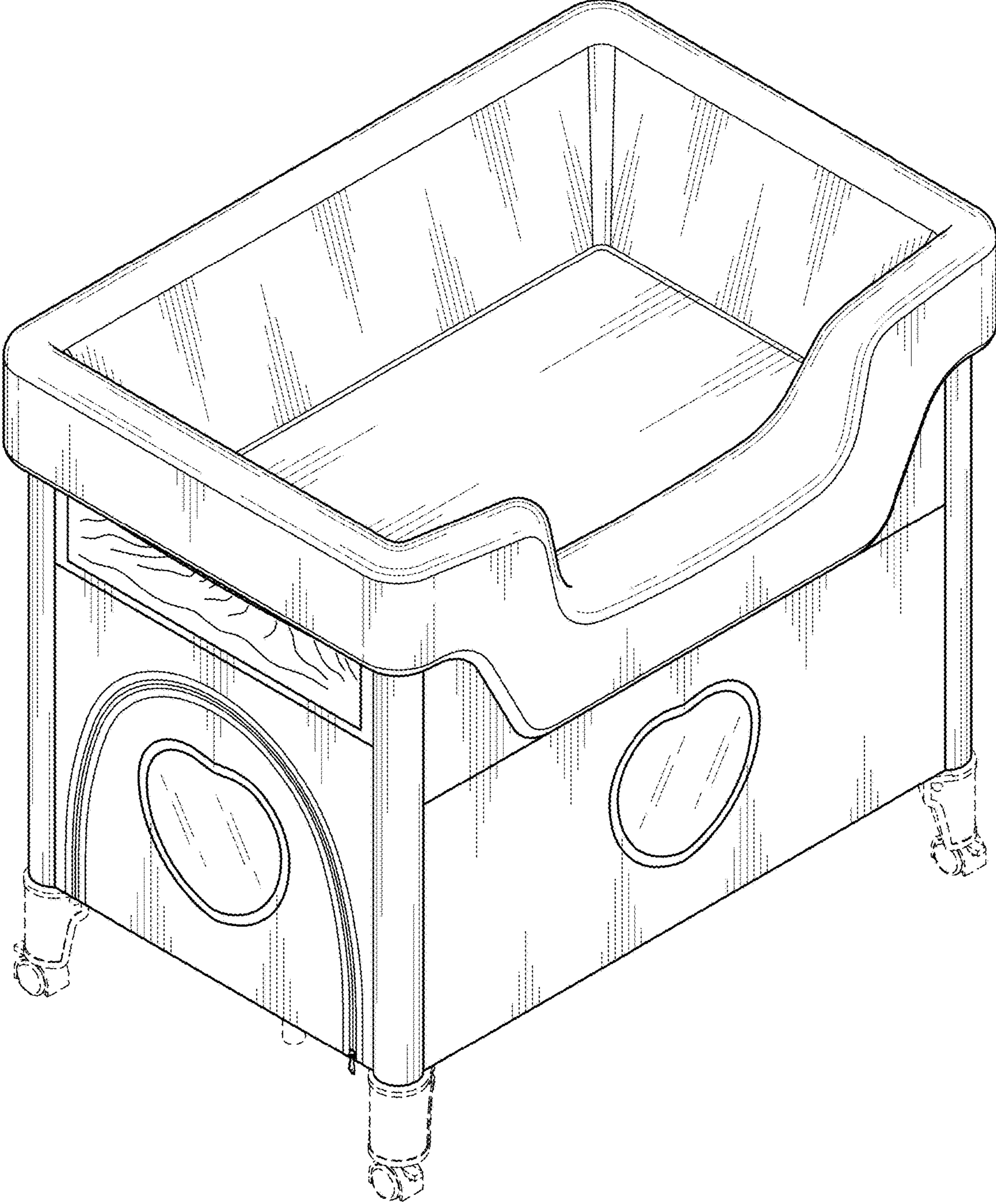


FIG. 1

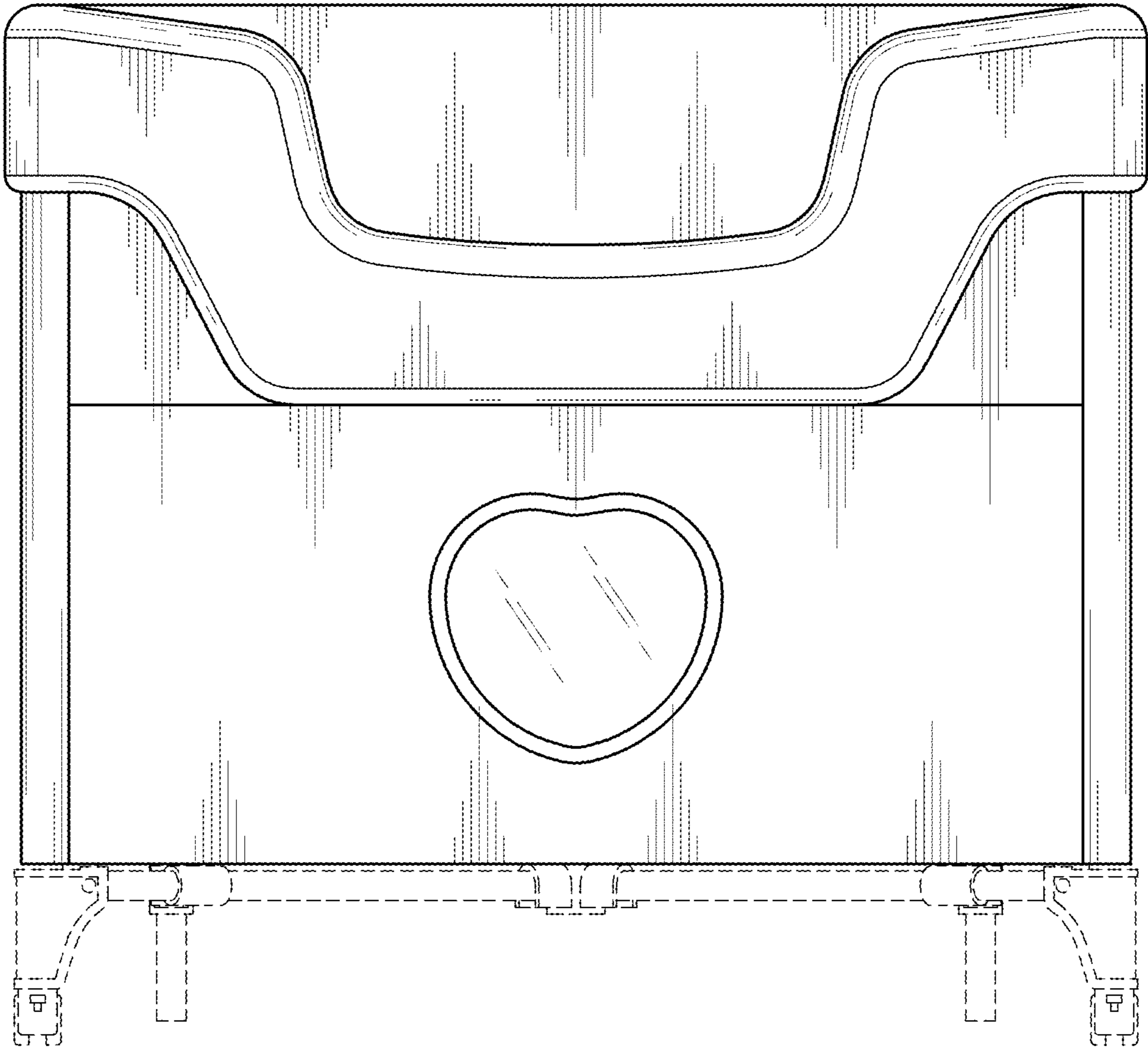


FIG. 2

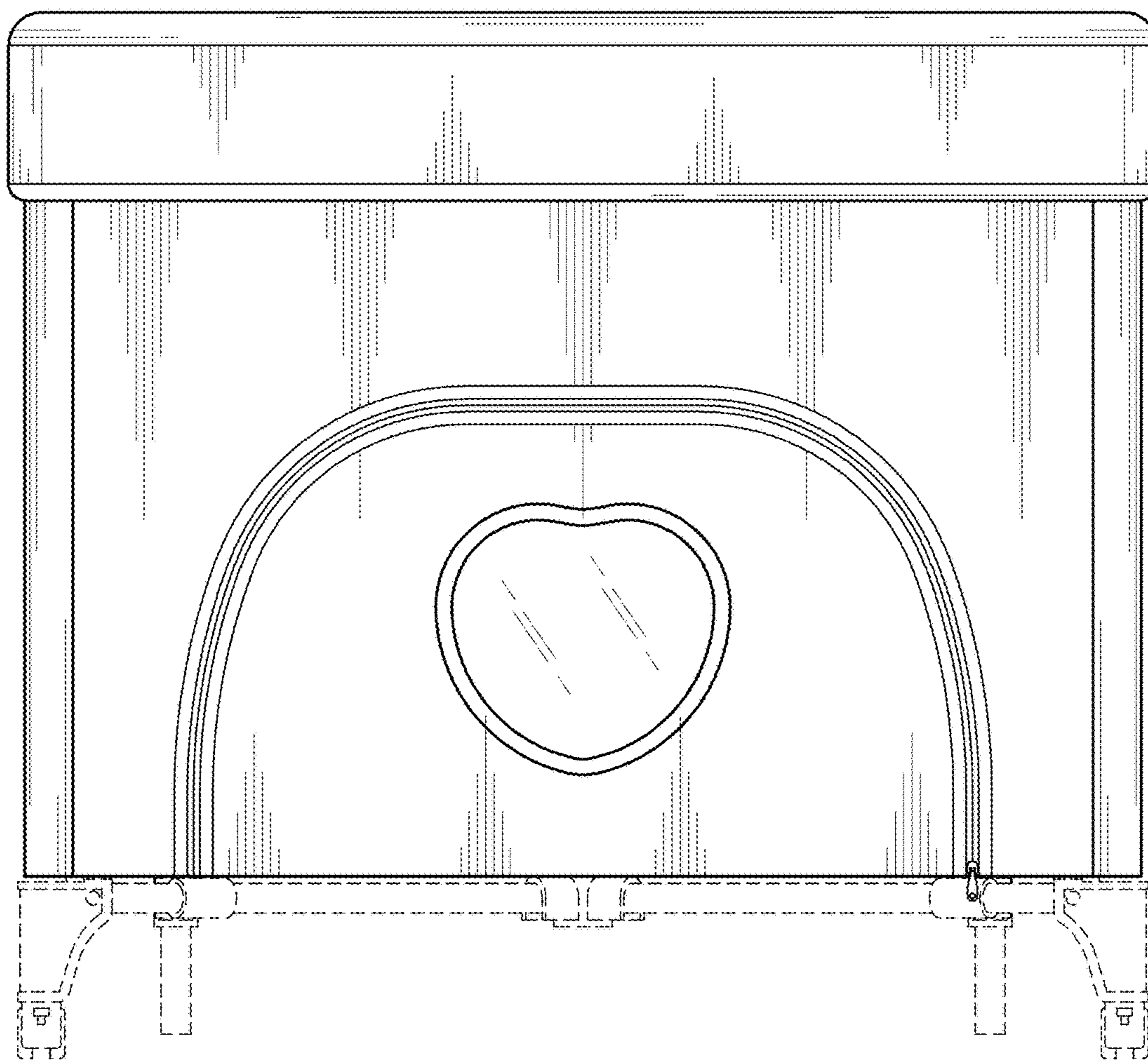


FIG. 3

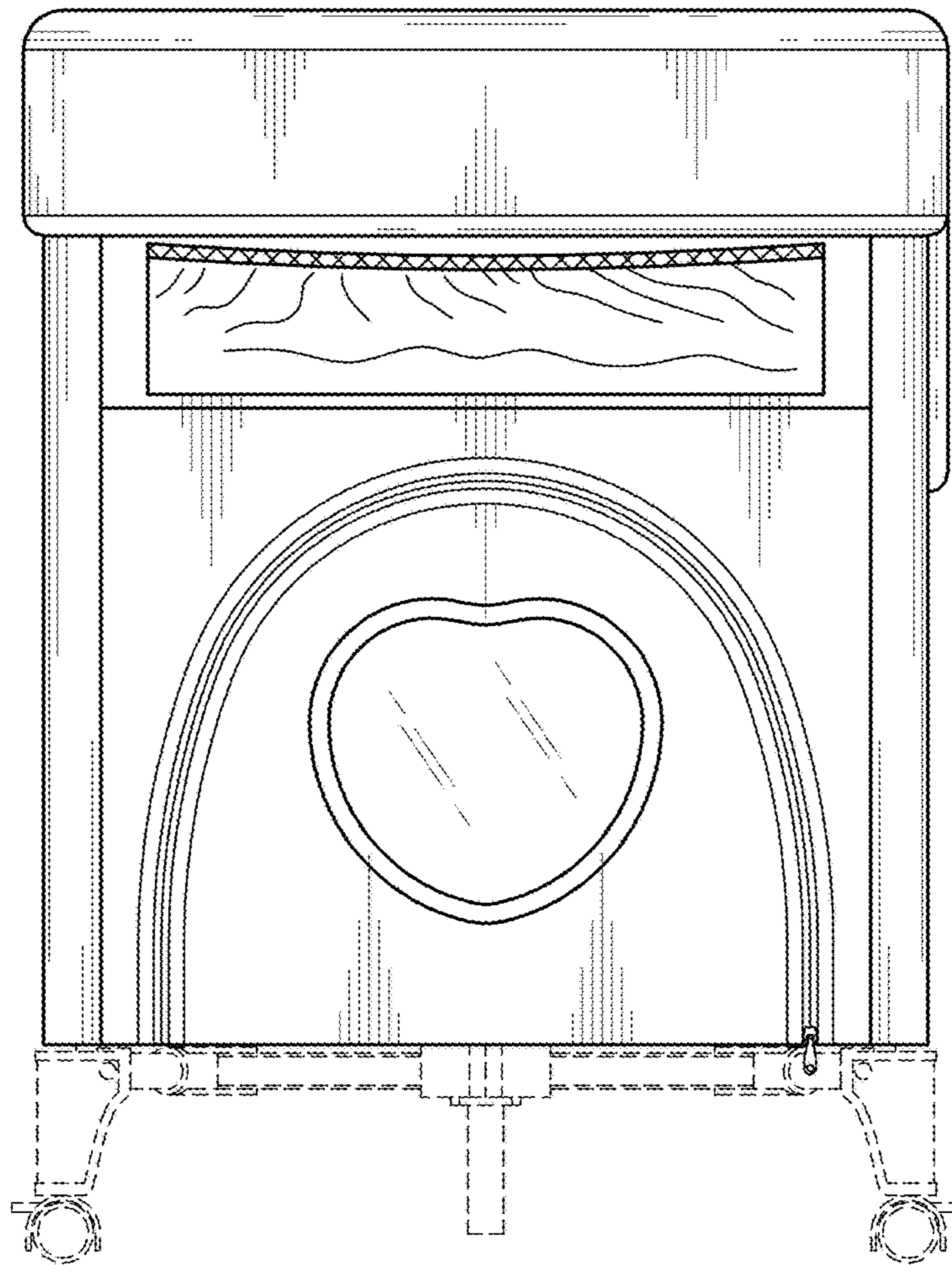


FIG. 4

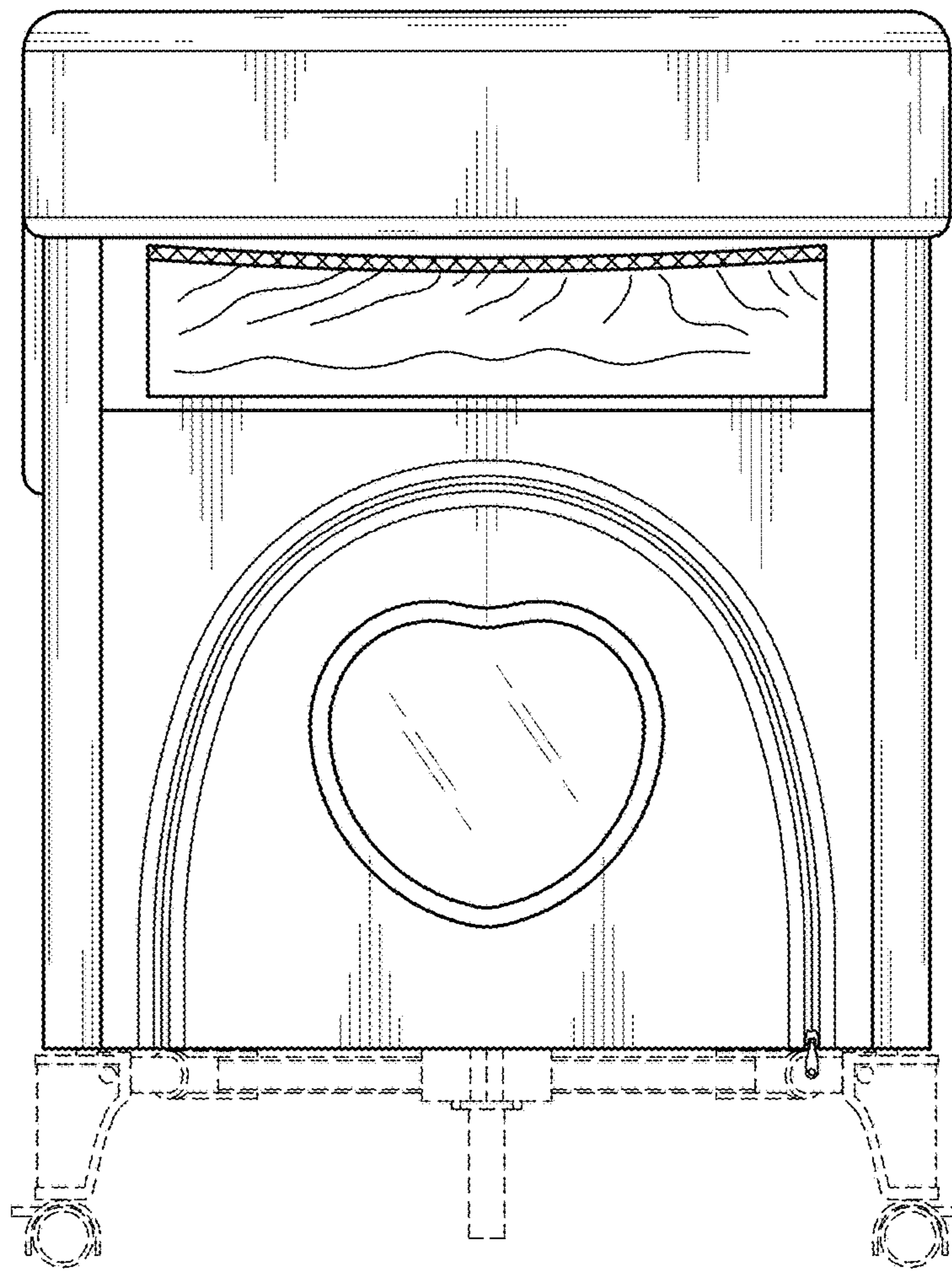


FIG. 5

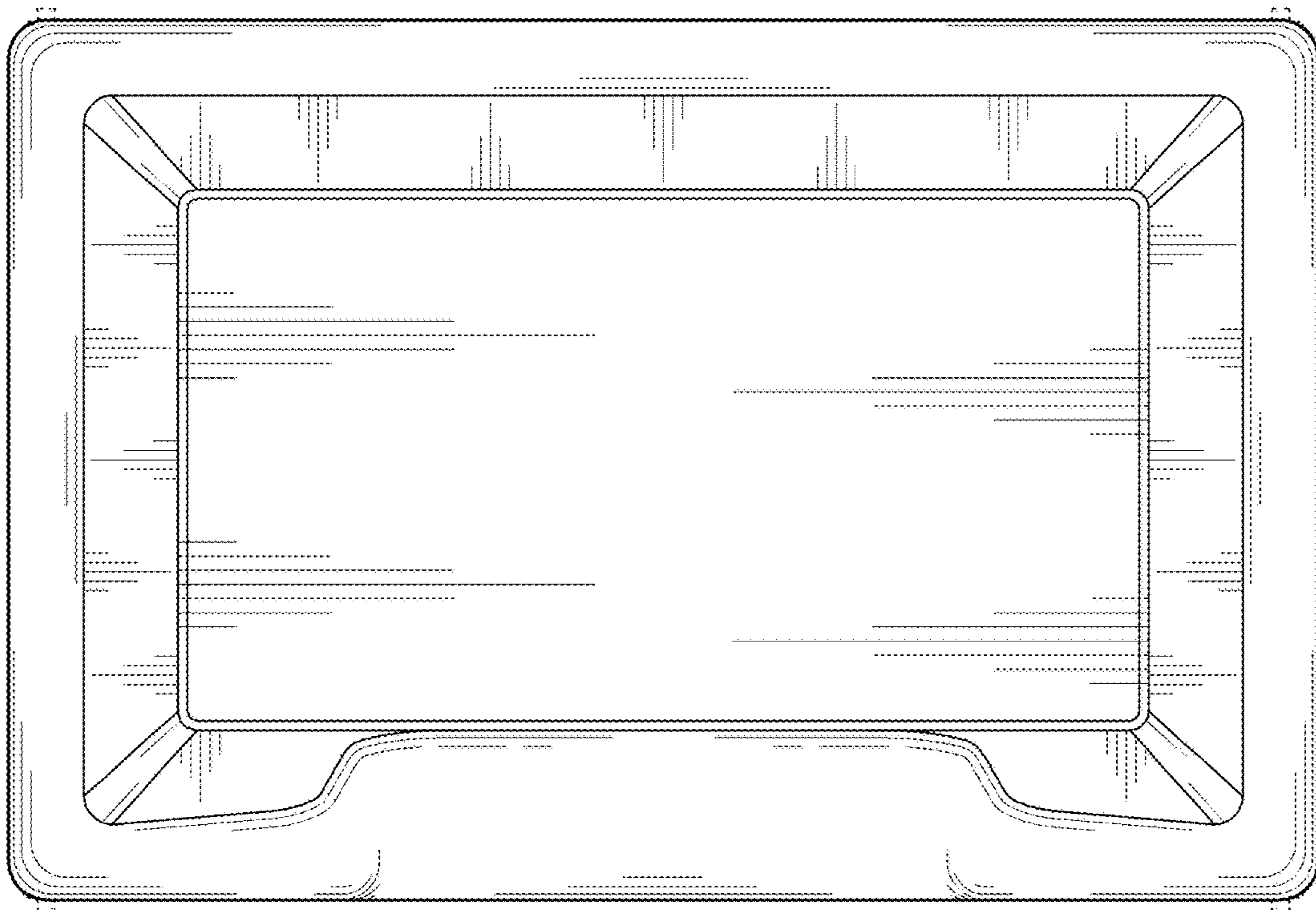


FIG. 6

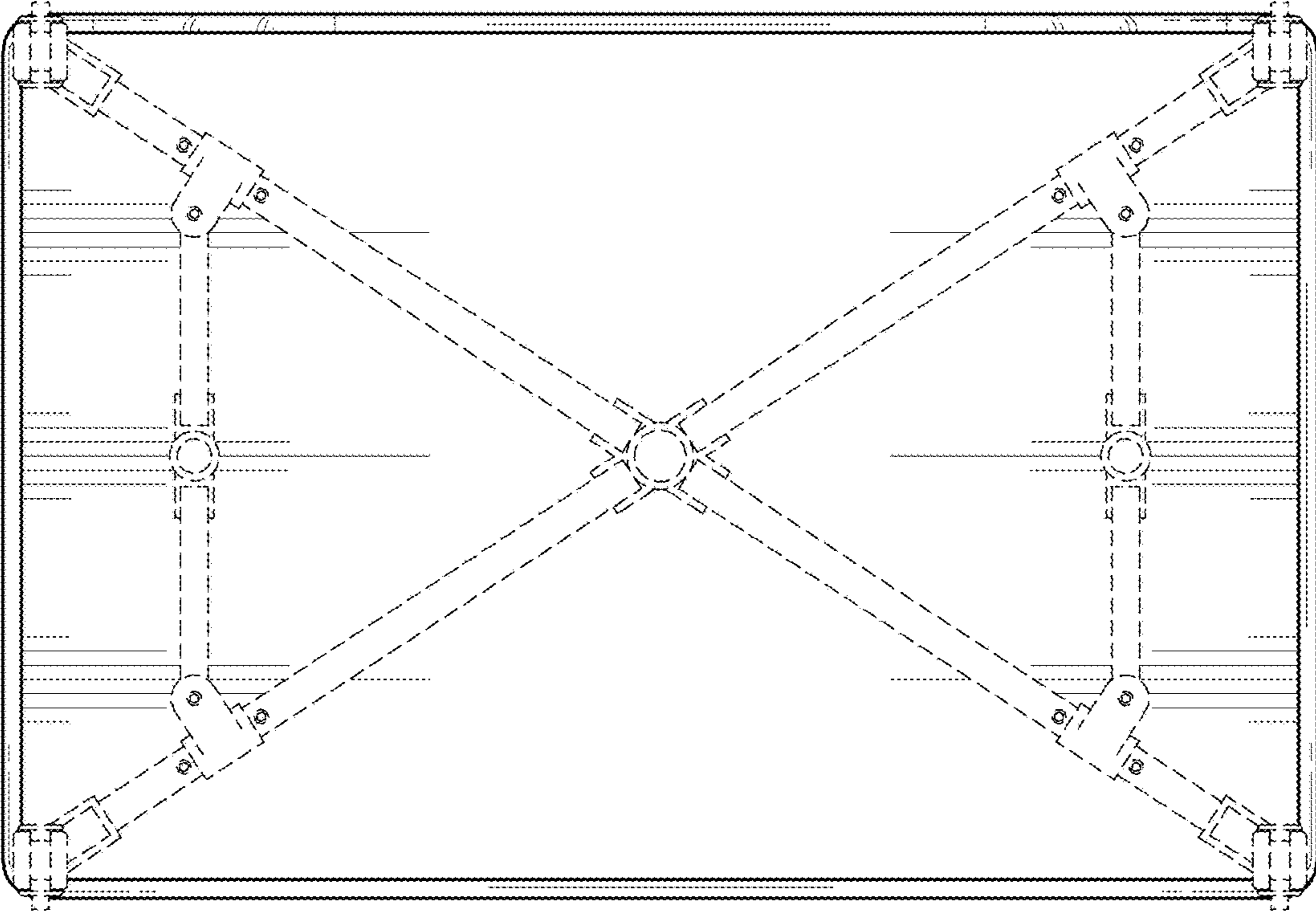


FIG. 7