

US00D842550S

(12) **United States Design Patent**  
**Kiser**

(10) **Patent No.:** **US D842,550 S**

(45) **Date of Patent:** **\*\* Mar. 5, 2019**

- (54) **TETHER WITH WRIST LOOPS**
- (71) Applicant: **David Marshall Kiser**, Woodstock, GA  
(US)
- (72) Inventor: **David Marshall Kiser**, Woodstock, GA  
(US)
- (\*\*) Term: **15 Years**
- (21) Appl. No.: **29/638,054**
- (22) Filed: **Feb. 23, 2018**
- (51) **LOC (11) Cl.** ..... **29-02**
- (52) **U.S. Cl.**  
USPC ..... **D29/101.1**
- (58) **Field of Classification Search**  
USPC ..... D29/101.1; 248/102-107, 548; 215/397,  
215/11.6; D3/229, 215; 224/148;  
D24/199  
CPC ..... A45F 2005/008  
See application file for complete search history.

- D398,080 S \* 9/1998 Nealon ..... D29/100
- D458,414 S \* 6/2002 Major ..... D29/100
- 7,516,591 B2 \* 4/2009 Wolner ..... A62B 35/0068  
119/795
- D699,406 S \* 2/2014 Stolte ..... D30/153

\* cited by examiner

*Primary Examiner* — Randall H Gholson  
(74) *Attorney, Agent, or Firm* — Dunlap Bennett &  
Ludwig PLLC; Brendan E. Squire

(57) **CLAIM**

The ornamental design for a tether with wrist loops, as shown and described.

**DESCRIPTION**

FIG. 1 is a front perspective view of the tether with wrist loops showing my new design;  
FIG. 2 is a front elevation view thereof;  
FIG. 3 is a rear elevation view thereof;  
FIG. 4 is a left side elevation view thereof, the right side elevation view being an identical image thereof; and,  
FIG. 5 is a top plan view thereof, the bottom plan view being a mirror image thereof.

The broken lines shown in the drawings illustrate portions of the tether with wrist loops that form no part of the claimed design.

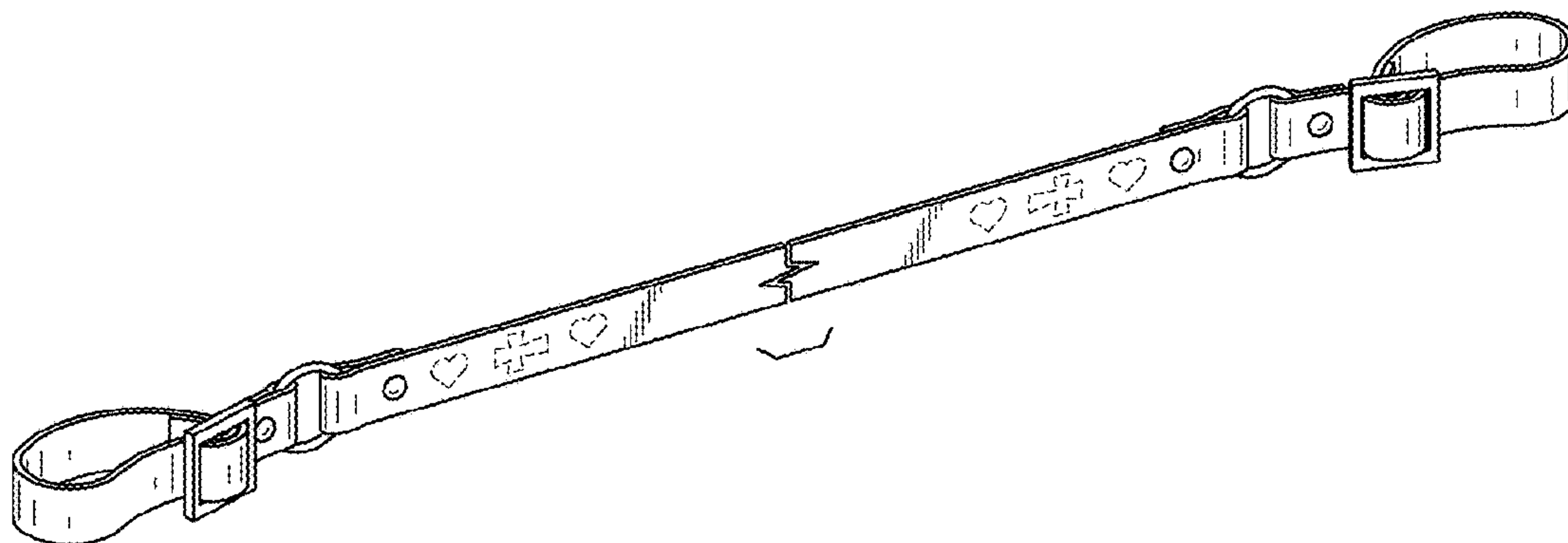
The tether with wrist loops is shown with a symbolic break in its length. The appearance of any portion of the article between the break lines forms no part of the claimed design.

**1 Claim, 3 Drawing Sheets**

(56) **References Cited**

U.S. PATENT DOCUMENTS

- D291,151 S \* 8/1987 Dugan ..... D29/101.1
- 4,765,279 A \* 8/1988 Klickstein ..... A01K 27/00  
119/770
- 5,069,168 A \* 12/1991 Roberson ..... A01K 27/00  
119/770



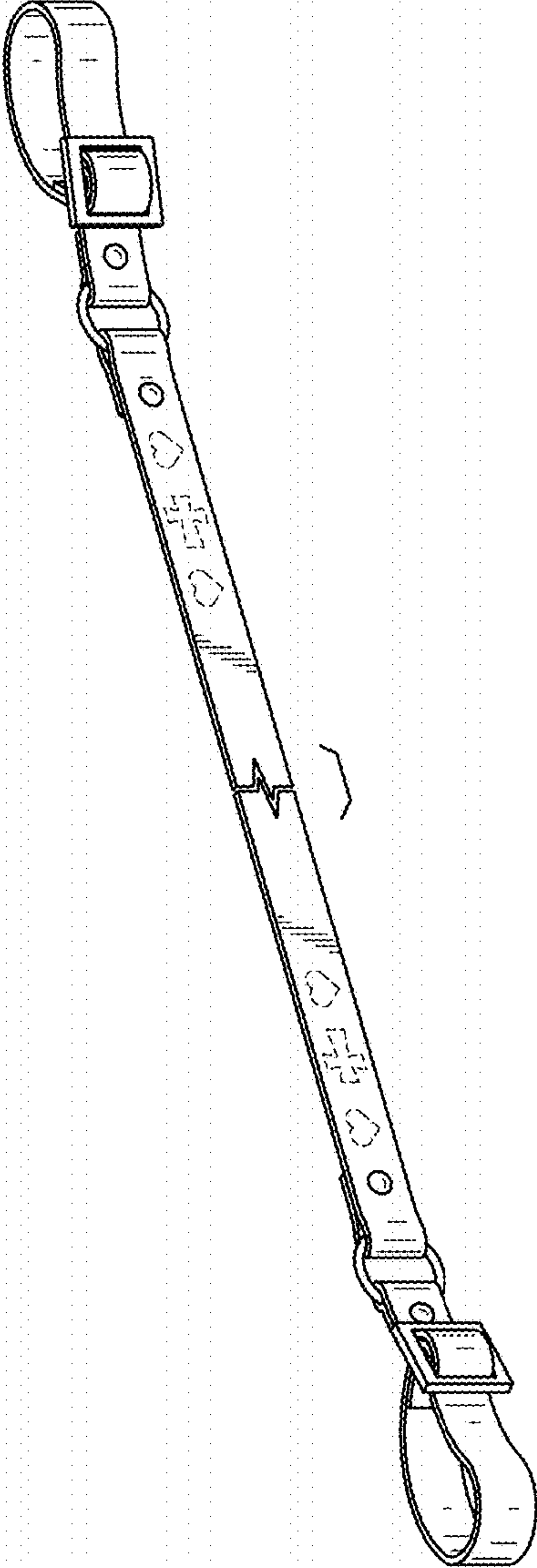


FIG. 1

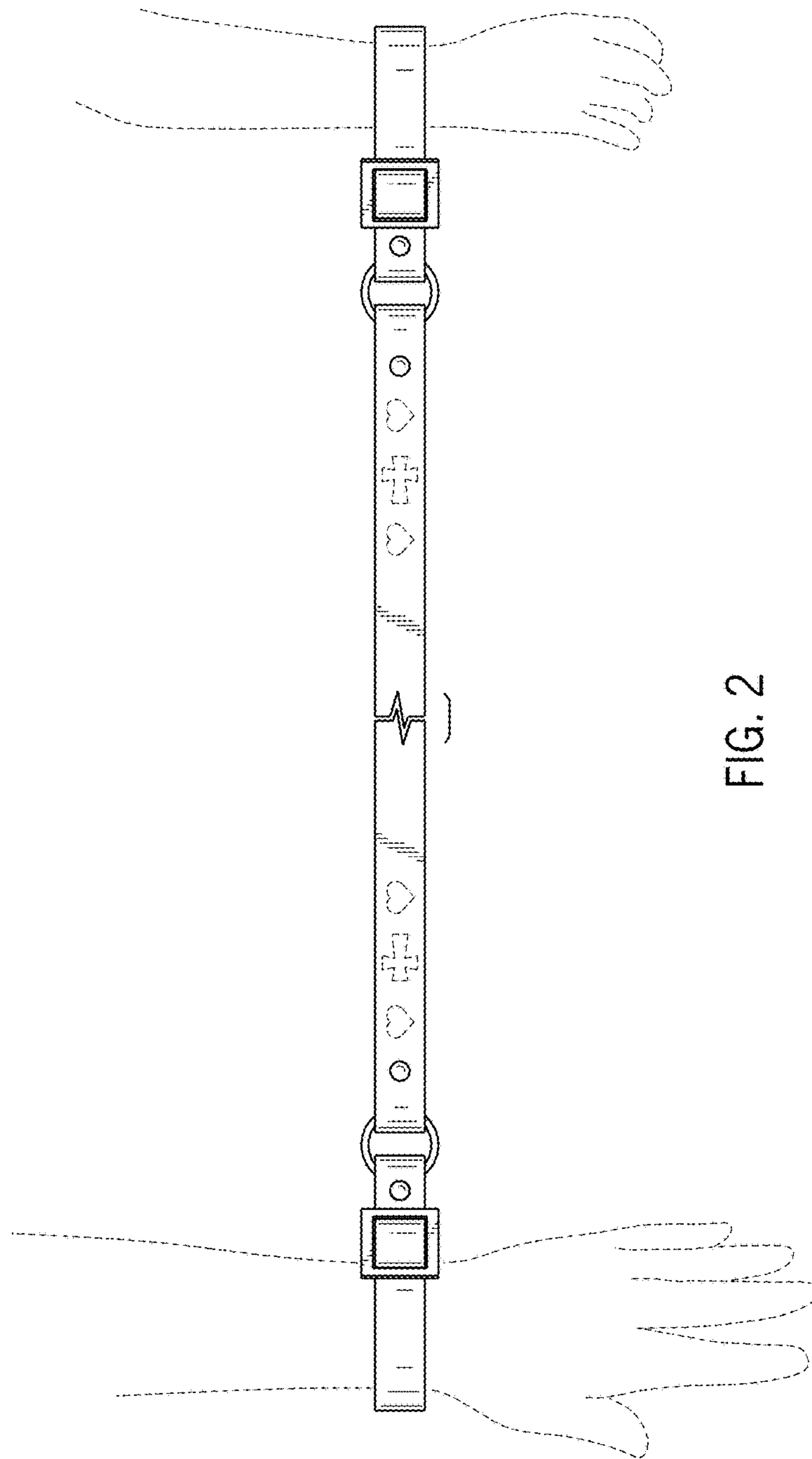


FIG. 2

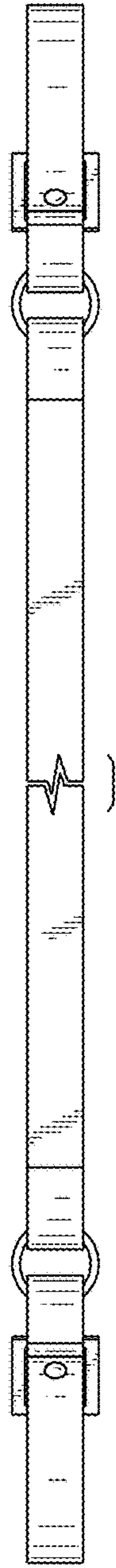


FIG. 3

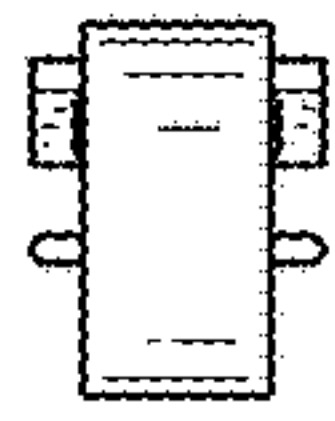


FIG. 4

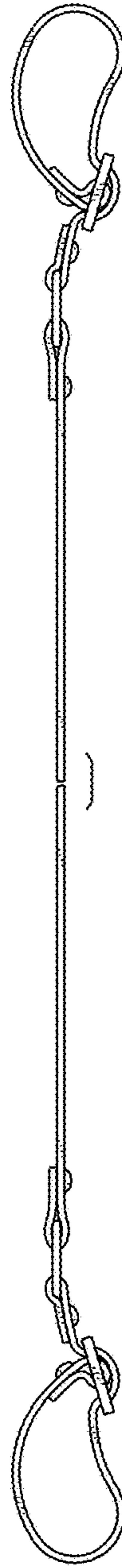


FIG. 5