



US00D842549S

(12) **United States Design Patent**
Ndu

(10) **Patent No.:** **US D842,549 S**
(45) **Date of Patent:** **** Mar. 5, 2019**

(54) **WIG STAND**

(71) Applicant: **Justina E. Ndu**, McHenry, IL (US)

(72) Inventor: **Justina E. Ndu**, McHenry, IL (US)

(**) Term: **15 Years**

(21) Appl. No.: **29/584,925**

(22) Filed: **Nov. 18, 2016**

(51) **LOC (11) Cl.** **28-04**

(52) **U.S. Cl.**
USPC **D28/93**

(58) **Field of Classification Search**
USPC D28/93, 92, 10; D2/865, 866; D6/681.3;
D20/10, 32; 211/30, 33

CPC A45D 44/14; A45D 44/01; A47F 5/00; A47F
7/06; A47F 7/00; A47F 7/065

See application file for complete search history.

(56) **References Cited**

U.S. PATENT DOCUMENTS

D403,533	S	*	1/1999	Paul	D6/677.3
D482,212	S	*	11/2003	Nakaoka	D6/405
D538,064	S	*	3/2007	Schechter	D6/674.1
D566,990	S	*	4/2008	Cook	D6/681.3
D574,166	S	*	8/2008	Kaisler	D6/681.3
D624,332	S	*	9/2010	Nwatu	D20/32
D641,568	S	*	7/2011	Bugio	D11/148
D649,714	S	*	11/2011	Key	D28/93
D686,426	S	*	7/2013	Muro	D6/674
D719,769	S		12/2014	Daniels		
9,427,066	B2	*	8/2016	Davidson	A45D 44/14

9,538,831 B1 * 1/2017 Tracy A45D 44/14
D793,131 S * 8/2017 Gazit D6/681.1
2010/0300900 A1 * 12/2010 Quan A45C 11/16
206/6.1

* cited by examiner

Primary Examiner — Susan Bennett Hattan

Assistant Examiner — Rebecca Tsehaye

(74) *Attorney, Agent, or Firm* — Stephen T. Scherrer;
Monique A. Morneault; Scherrer Patent & Trademark
Law, P.C.

(57) **CLAIM**

The ornamental design for a wig stand, as shown and described.

DESCRIPTION

FIG. 1 is a perspective view of a wig stand showing my new design;

FIG. 2 is a front view thereof;

FIG. 3 is a rear view thereof;

FIG. 4 is a right side view thereof;

FIG. 5 is a left side view thereof;

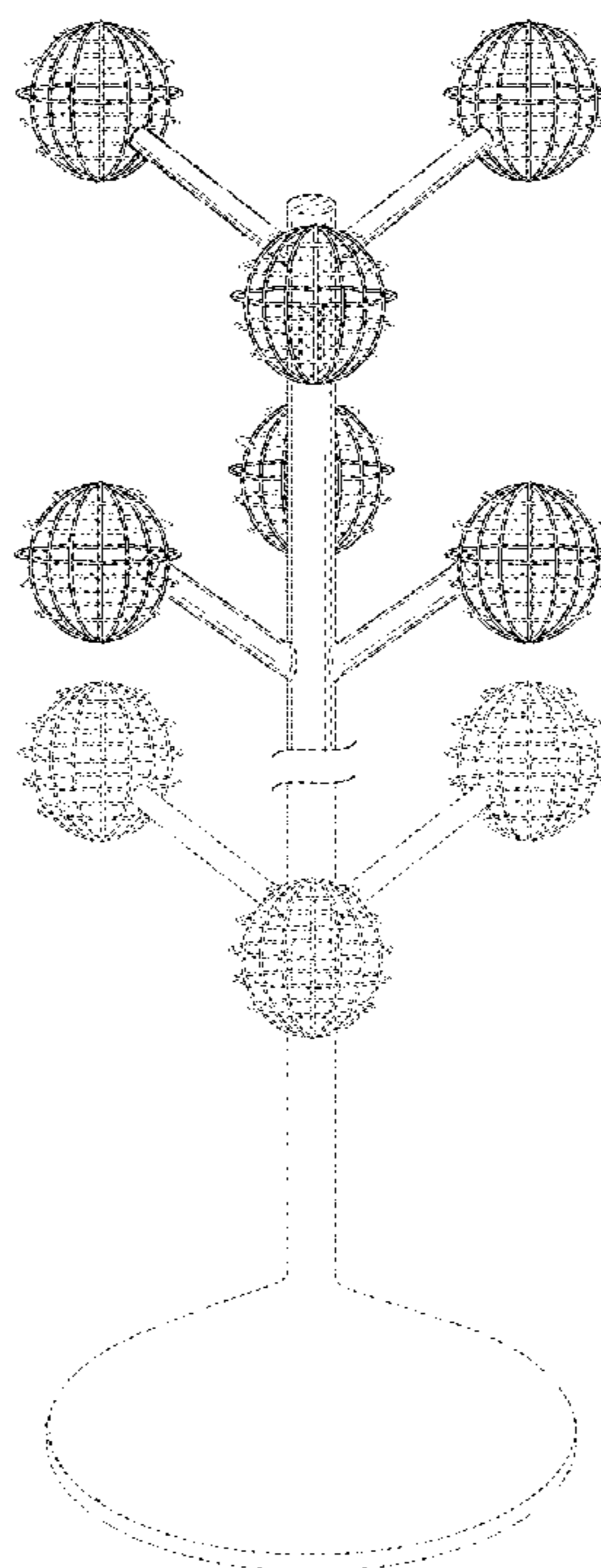
FIG. 6 is a top plan view thereof; and,

FIG. 7 is a bottom plan view thereof; and,

FIG. 8 is a perspective view thereof, showing my new design in use.

The broken lines showing are included for the purpose of illustrating portions of the article that form no part of the claimed design.

1 Claim, 7 Drawing Sheets



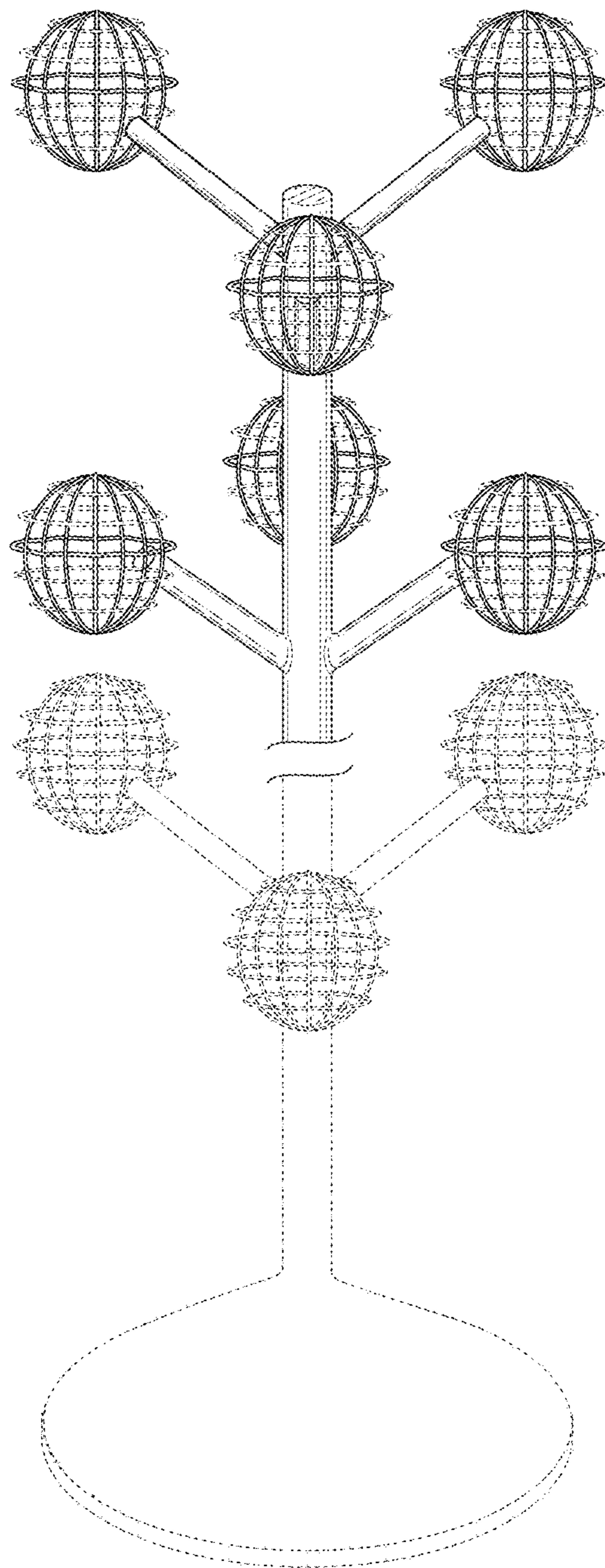


FIG. 1

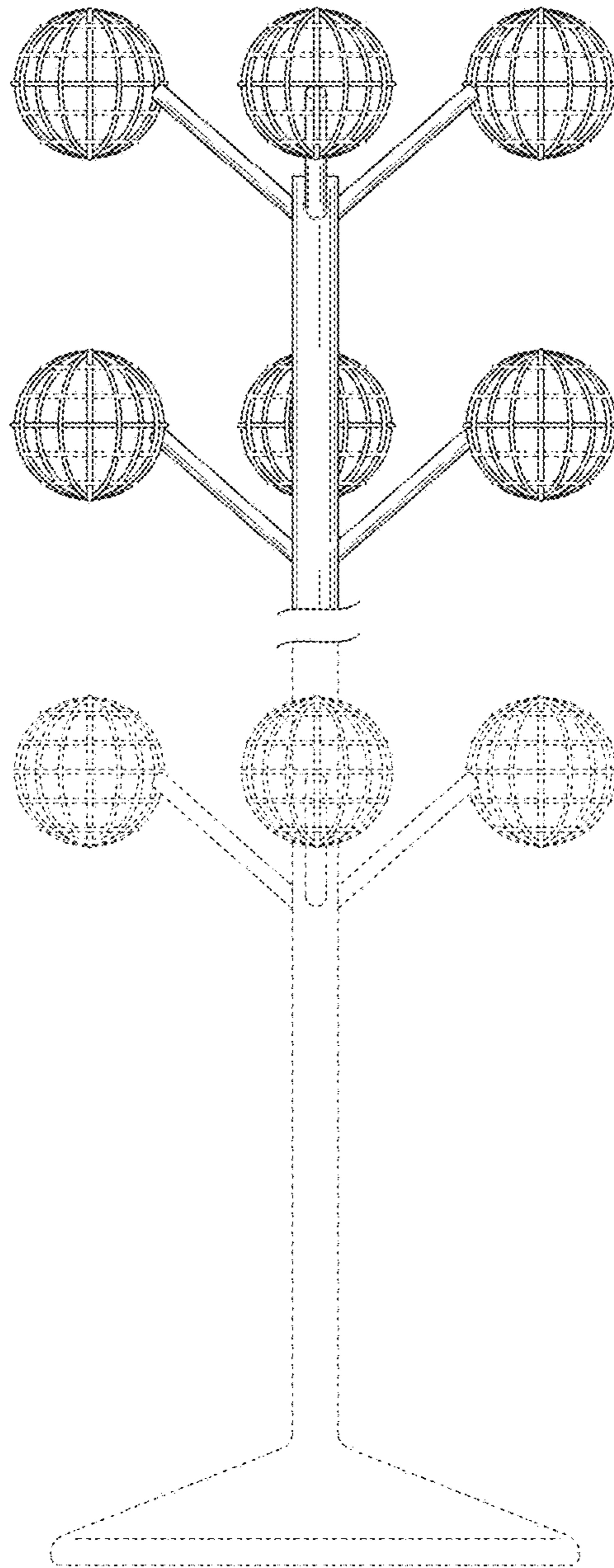


FIG. 2

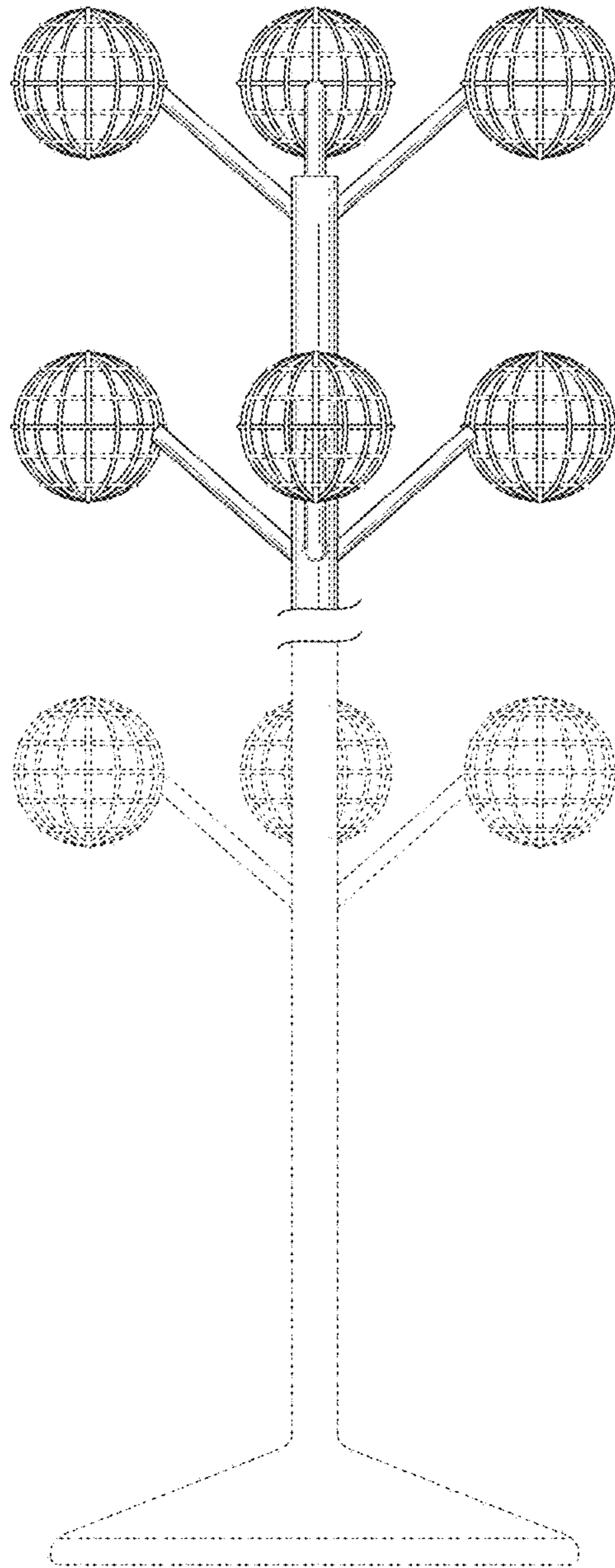


FIG. 3

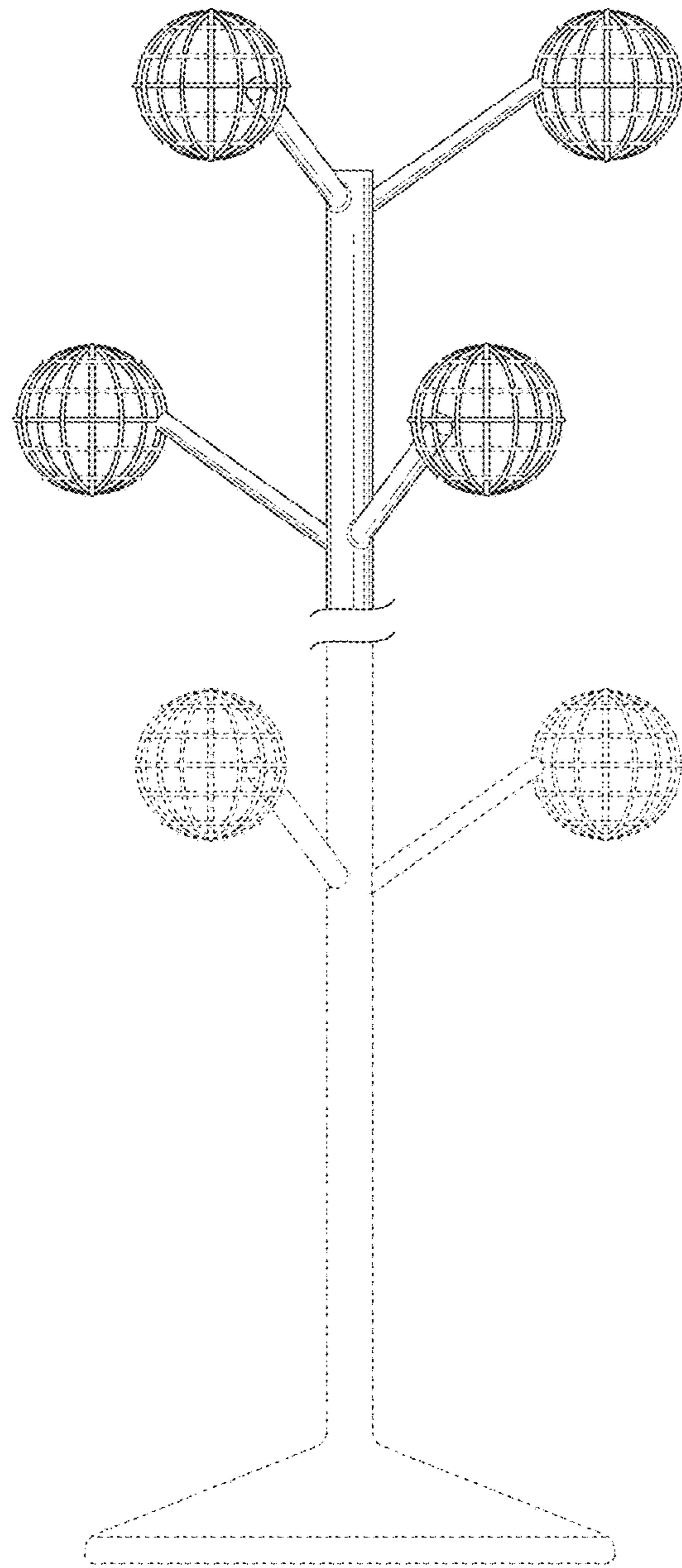


FIG. 4

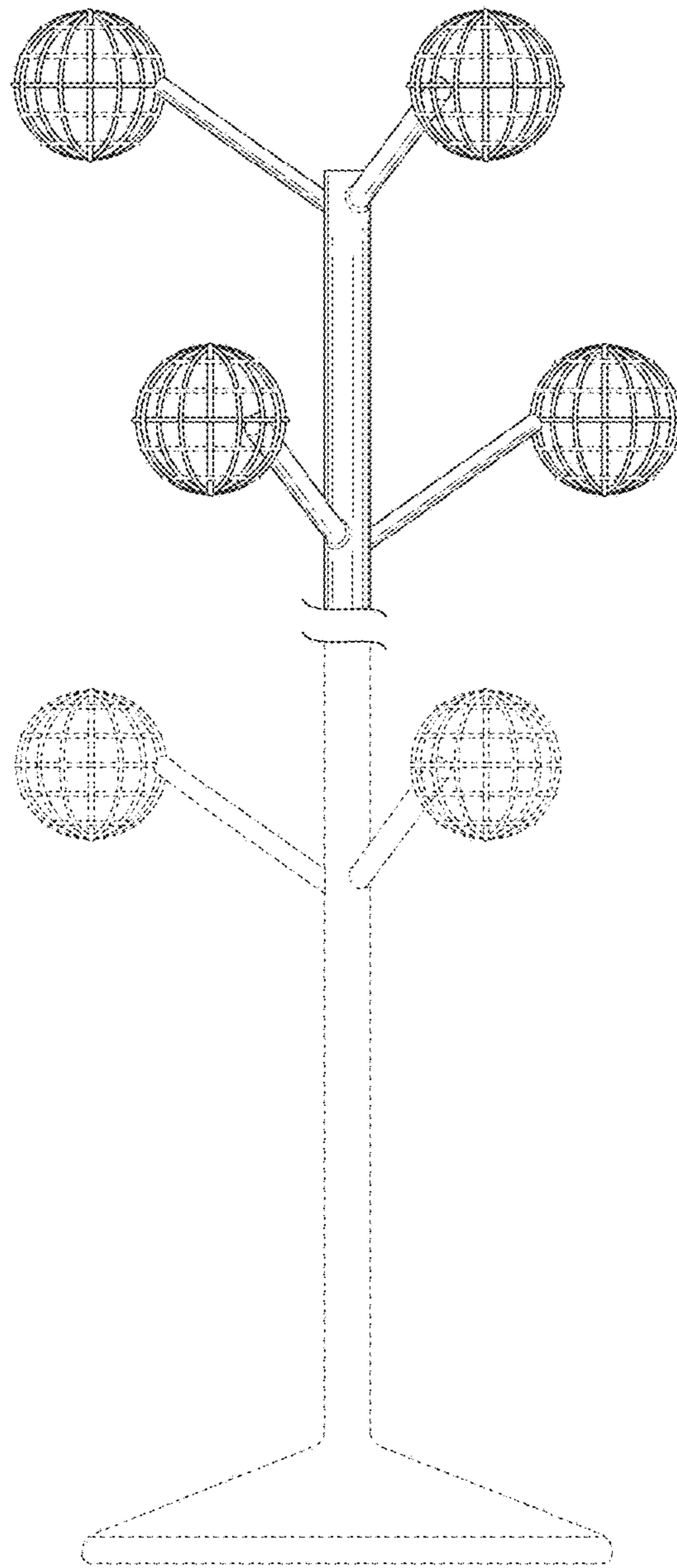


FIG. 5

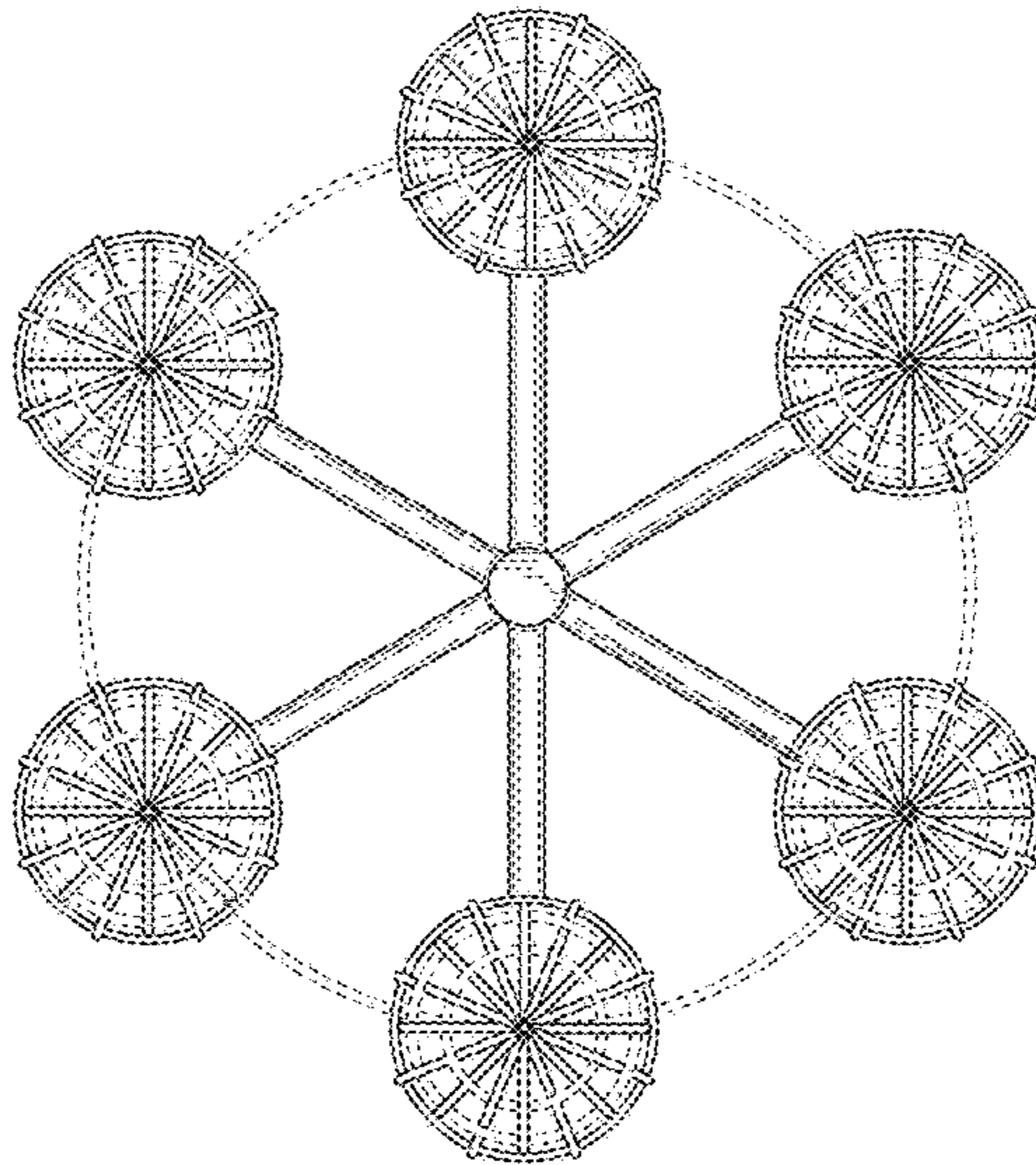


FIG. 6

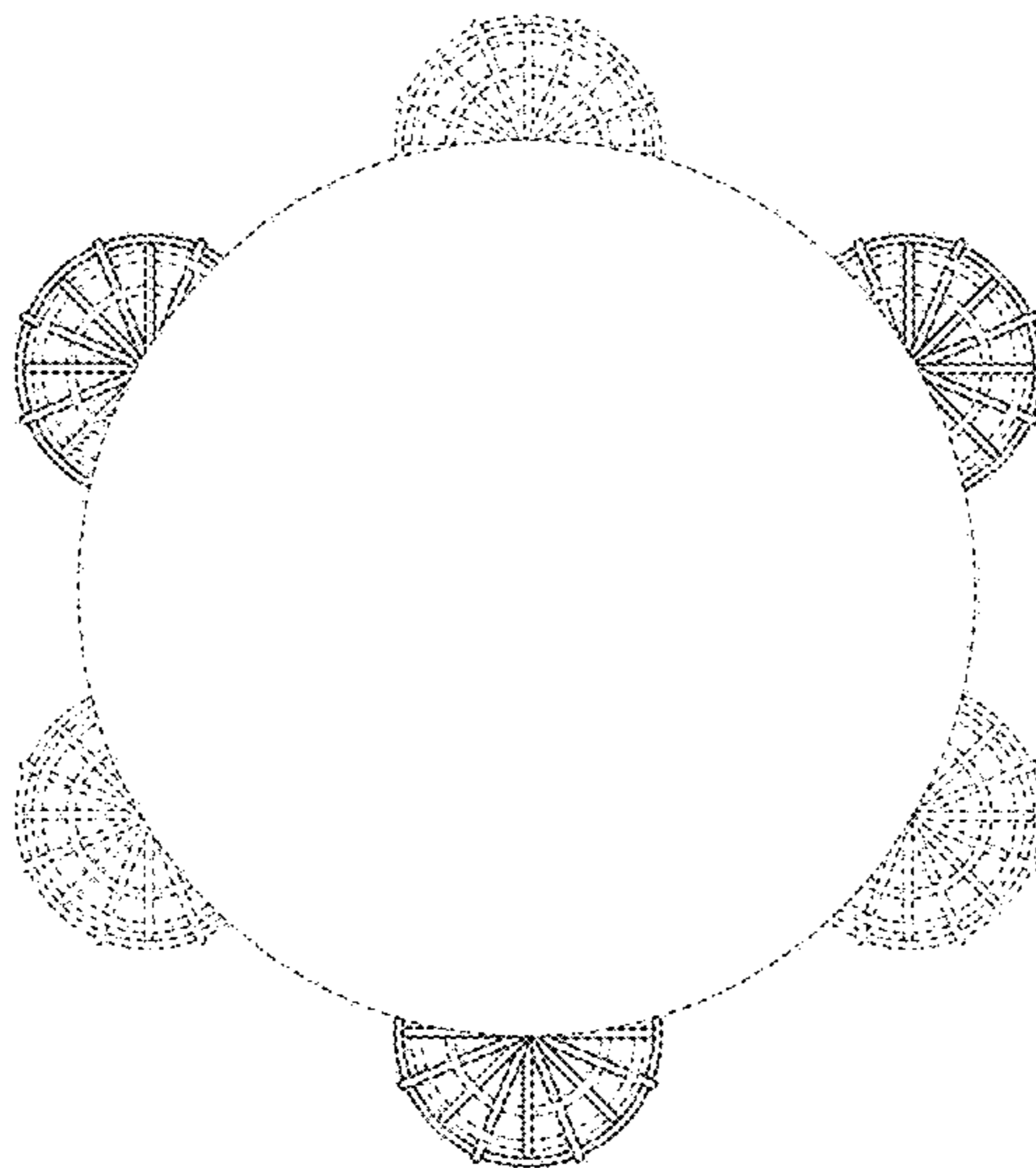


FIG. 7

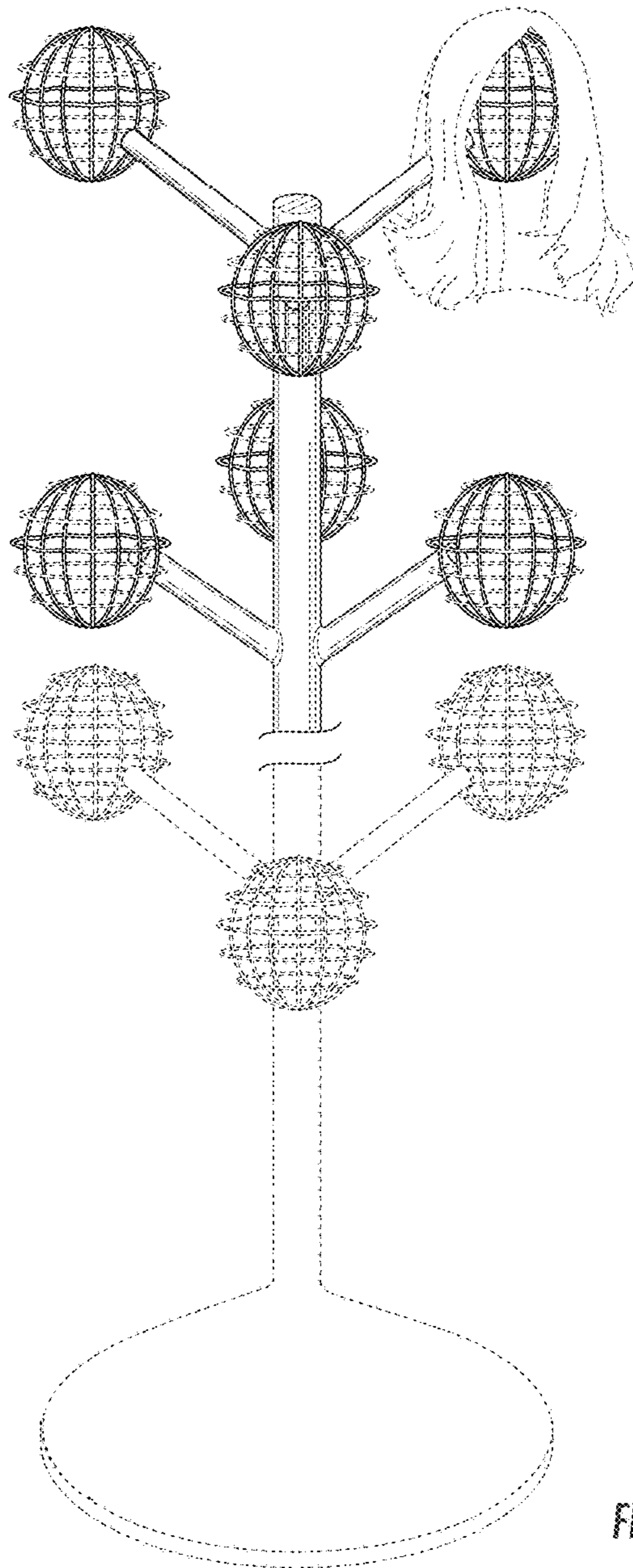


FIG. 8