



US00D842539S

(12) **United States Design Patent**
Guy-Rabi et al.

(10) **Patent No.:** **US D842,539 S**
(45) **Date of Patent:** **** Mar. 5, 2019**

(54) **HAIR STRAIGHTENING BRUSH**

FOREIGN PATENT DOCUMENTS

(71) Applicant: **GUY O. A MANAGEMENT & INVESTMENT SERVICES LTD.**, Tel Aviv (IL)

CN 303072348 * 1/2015
CN 303750209 * 7/2016

(Continued)

(72) Inventors: **Sharon Guy-Rabi**, Ra'anana (IL);
Yakov Guy, Ra'anana (IL)

OTHER PUBLICATIONS

(73) Assignee: **GUY O.A. MANAGEMENT & INVESTMENT SERVICES LTD.**, Tel Aviv (IL)

Screen shots from video of DAFNI-Go travel hair straightening brush [on-line]. Published Nov. 9, 2016; retrieved from the Internet Sep. 27, 2018. URL: <https://www.youtube.com/watch?v=p4jjHR1nTI8>. (Year: 2016).*

(Continued)

(**) Term: **15 Years**

Primary Examiner — Karen E Eldridge Powers

(21) Appl. No.: **29/576,761**

(74) *Attorney, Agent, or Firm* — Dorsey & Whitney LLP

(22) Filed: **Sep. 7, 2016**

(30) **Foreign Application Priority Data**

(57) **CLAIM**

Jun. 12, 2016 (CN) 2016 3 0232967
Jun. 12, 2016 (CN) 2016 3 0232969

The ornamental design for a hair straightening brush, as shown and described.

(51) **LOC (11) Cl.** **28-03**

(52) **U.S. Cl.**
USPC **D28/35; D4/100**

DESCRIPTION

(58) **Field of Classification Search**
USPC D4/100, 102, 114, 115, 116, 117, 121, D4/128, 130, 132, 133, 134, 136, 138, D4/199; D28/35; 15/207.2; 132/137, 132/142, 150
CPC A46B 2200/104; A46B 5/02; A46B 9/023; A46B 9/026; A46B 9/06; A46B 9/02; A45D 2/00; A45D 2/002; A45D 2001/004
See application file for complete search history.

FIG. 1 is a perspective view of a design for a hair straightening brush;
FIG. 2 is a bottom plan view of the hair straightening brush shown in FIG. 1;
FIG. 3 is a top plan view of the hair straightening brush shown in FIG. 1;
FIG. 4 is a right side elevation view of the hair straightening brush shown in FIG. 1; the left side elevation view being a mirror image;
FIG. 5 is a front elevation view of the hair straightening brush shown in FIG. 1; and,
FIG. 6 is a rear elevation view of the hair straightening brush shown in FIG. 1.

The features shown in broken lines do not form part of the claimed design.

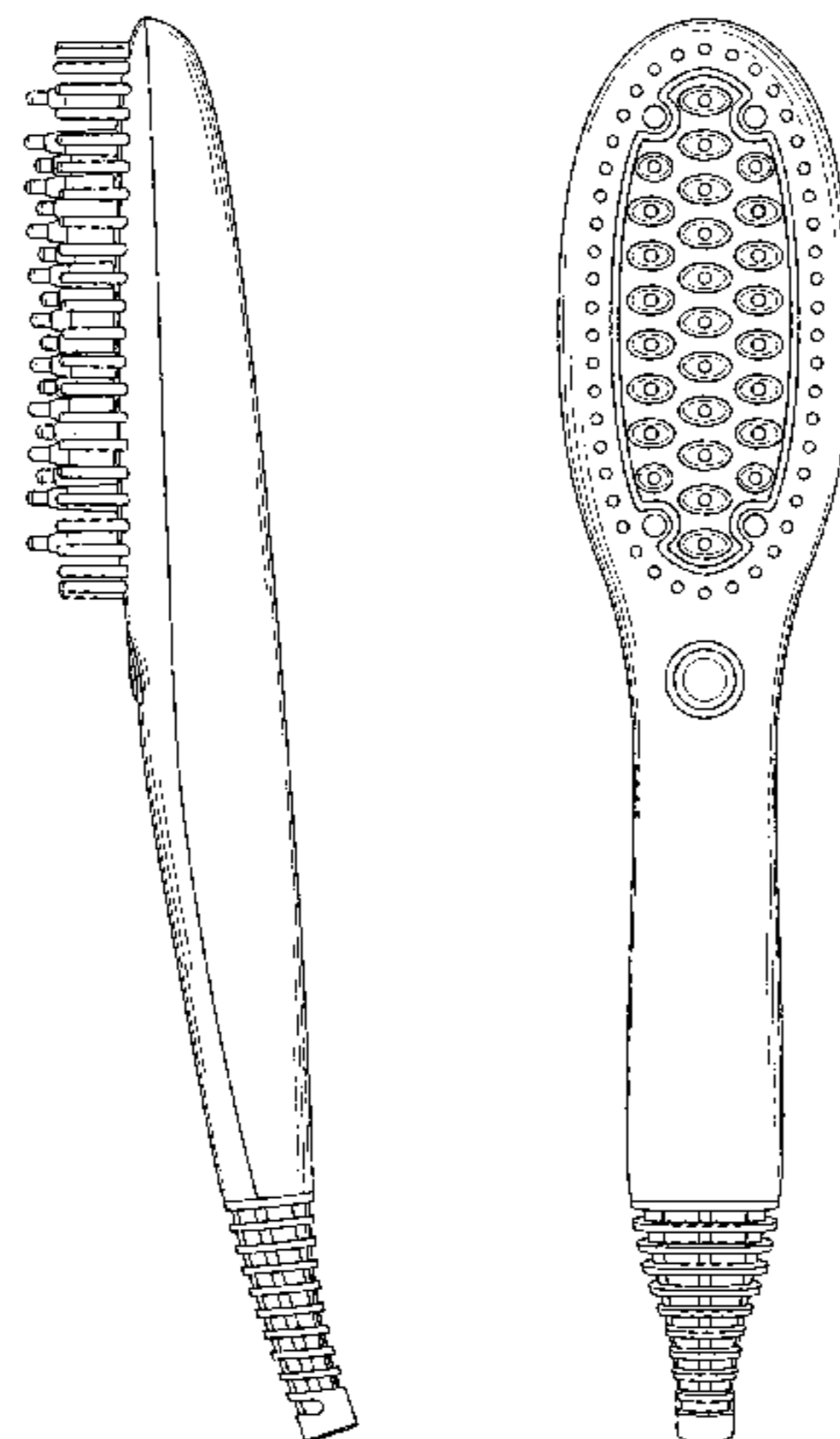
(56) **References Cited**

U.S. PATENT DOCUMENTS

D24,044 S * 2/1895 Estabrook D4/138
674,120 A * 5/1901 Montgomery A46B 7/04
15/176.5
D168,914 S * 2/1953 Snyder D4/136

(Continued)

1 Claim, 6 Drawing Sheets



(56)

References Cited

U.S. PATENT DOCUMENTS

2,770,827 A * 11/1956 Brandenburg A46B 11/063
 401/291
 D200,525 S * 3/1965 Kellogg D24/211
 D201,429 S * 6/1965 Hartwell D24/211
 D230,105 S * 1/1974 Newman 34/96
 D439,747 S * 4/2001 Harris D4/136
 8,627,537 B2 * 1/2014 Mercier A46B 9/02
 132/120
 D764,180 S * 8/2016 Treeby D4/136
 9,591,906 B2 * 3/2017 Guy-Rabi A46B 9/06
 D795,595 S * 8/2017 Exley D4/121
 D804,188 S * 12/2017 Du D4/100
 9,877,562 B2 * 1/2018 Guy-Rabi A46B 3/005
 2004/0016066 A1 * 1/2004 Frazier A46B 15/0002
 15/1.52
 2005/0109755 A1 * 5/2005 Rachal A45D 1/18
 219/222
 2016/0227898 A1 * 8/2016 Wu A45D 2/002
 2017/0215540 A1 * 8/2017 Qin A45D 2/002

FOREIGN PATENT DOCUMENTS

CN 303798300 * 8/2016
 CN 303939602 * 11/2016
 CN 303939819 * 11/2016
 CN 303972496 * 12/2016
 EM 003149541-0001 * 5/2016
 JP D1573171 * 2/2016

OTHER PUBLICATIONS

DAFNI Go Hair Straightening Brush in Blue [on-line]. Publication
 date unknown; retrieved from the Internet Sep. 27, 2018. URL:
 <<https://www.bedbathandbeyond.com/store/product/dafni-go-hair-straightening-brush-in-blue>>. (3 pages) (Year: 2018).*

* cited by examiner

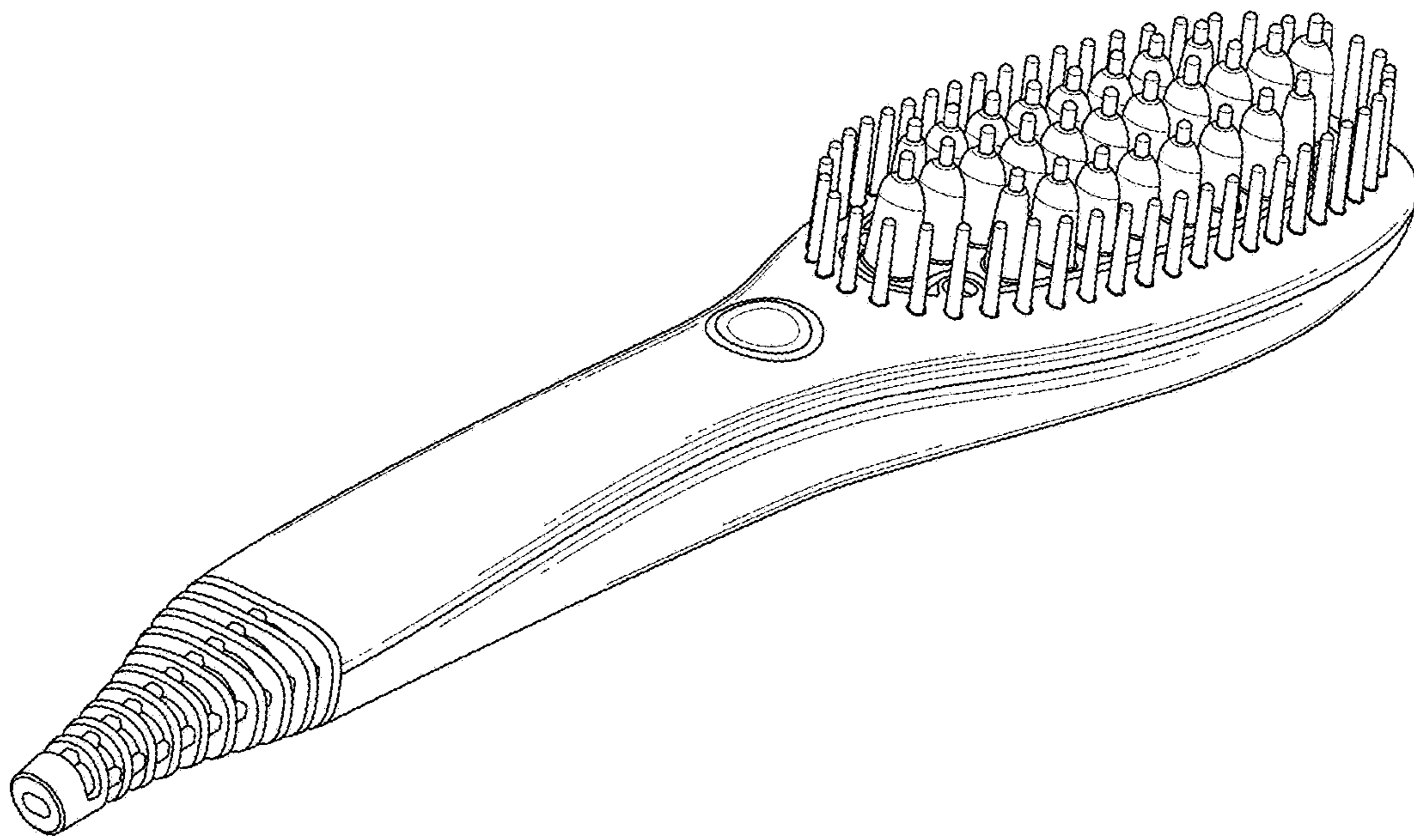


FIG. 1

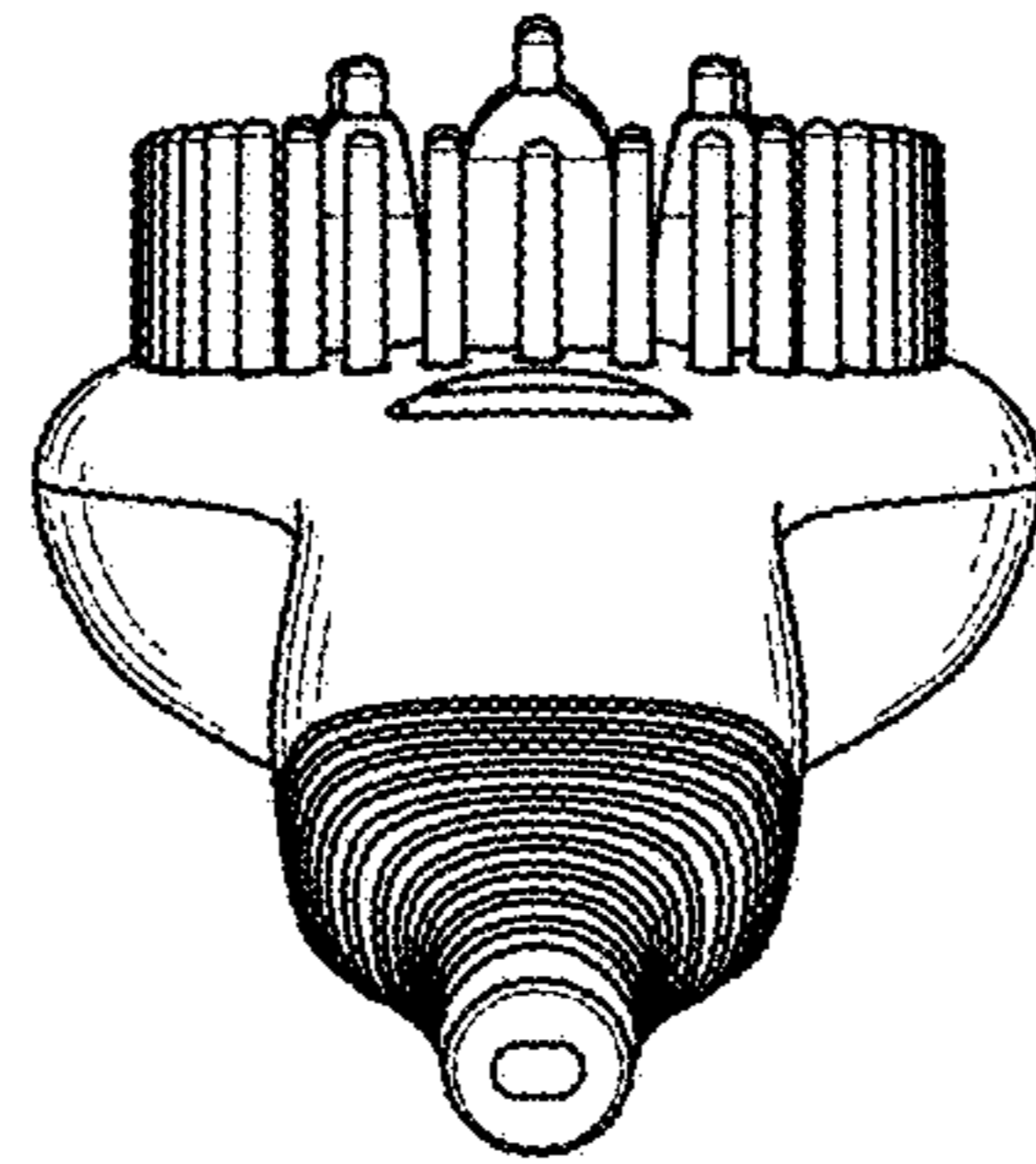


FIG. 2

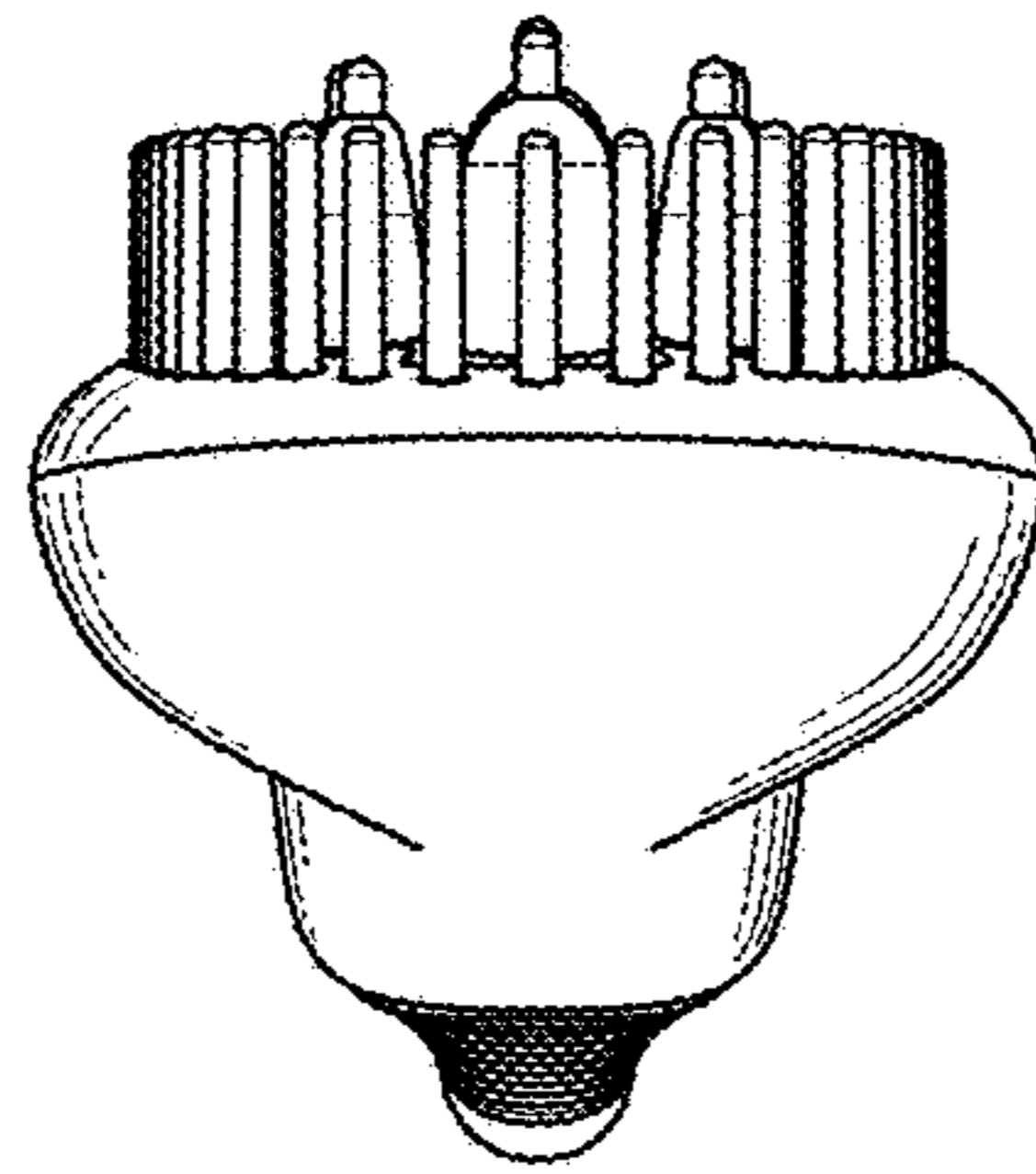


FIG. 3

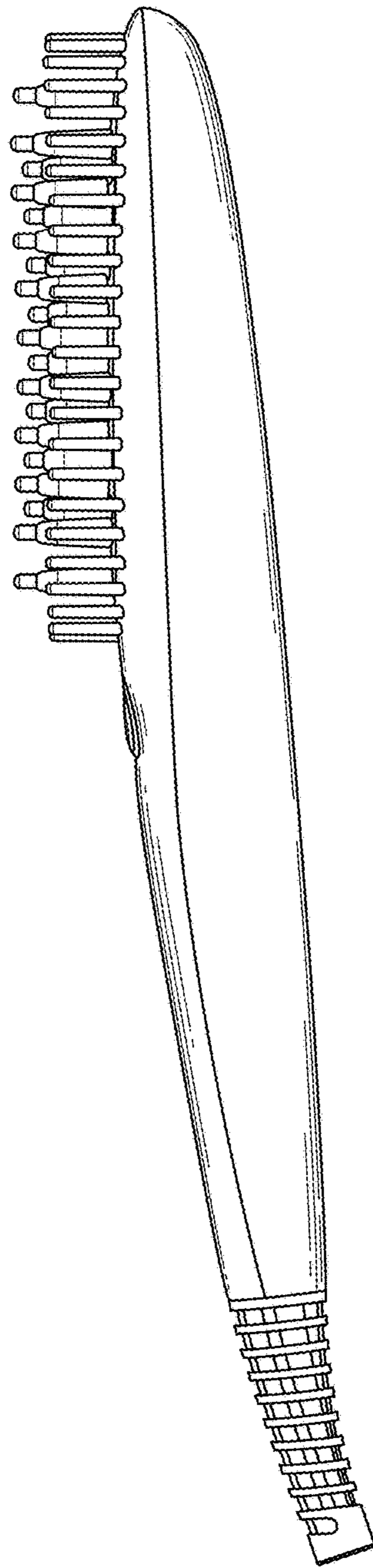


FIG. 4

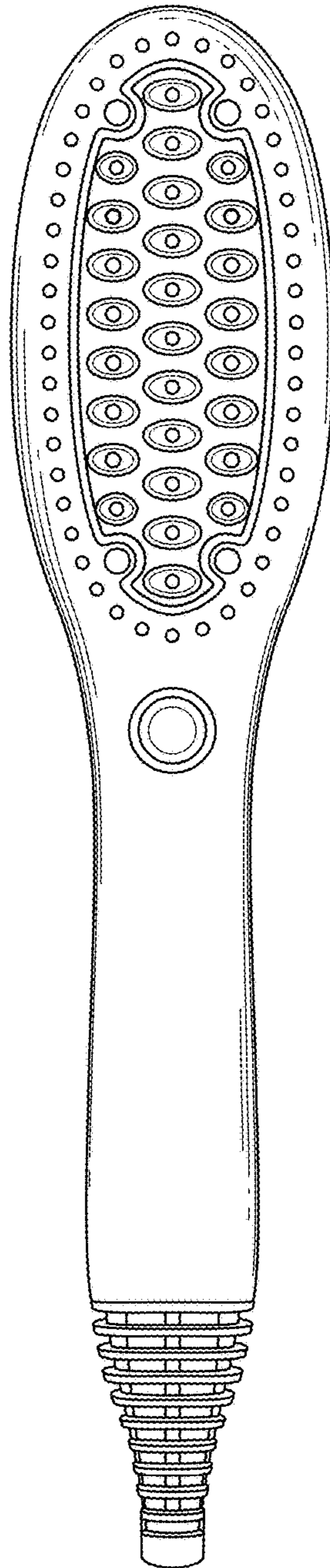


FIG. 5

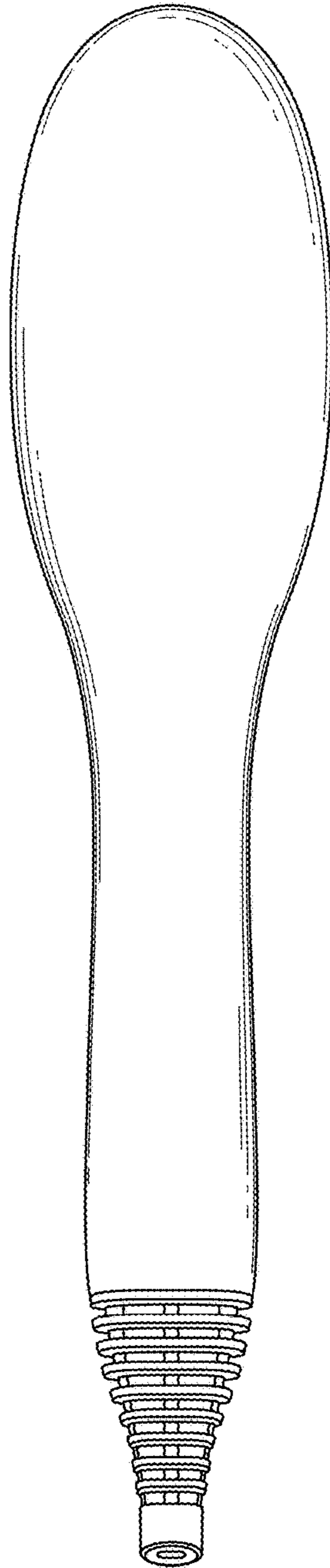


FIG. 6