



US00D842537S

(12) **United States Design Patent** (10) **Patent No.:** **US D842,537 S**
Booth (45) **Date of Patent:** **** Mar. 5, 2019**

(54) **COMBINED HERB GRINDER AND PIPE**
(71) Applicant: **Wolf Grinders Inc.**, Edmonton (CA)
(72) Inventor: **Nicholas Booth**, Edmonton (CA)
(73) Assignee: **Wolf Grinders Inc.**, Edmonton (CA)
(**) Term: **15 Years**

(21) Appl. No.: **29/612,790**
(22) Filed: **Aug. 3, 2017**

(30) **Foreign Application Priority Data**
Jun. 6, 2017 (CA) 175186
(51) **LOC (11) Cl.** **27-99**
(52) **U.S. Cl.**
USPC **D27/194**
(58) **Field of Classification Search**
USPC D27/189, 186, 187, 194, 180-183, 172,
D27/174, 175; 131/329, 175, 179, 180,
131/186, 187, 250, 319, 322; D7/679,
D7/372, 373, 374, 383, 384, 401.1
CPC .. A24F 23/04; A24F 23/00; A24F 9/14; A24F
9/16; A24F 9/00; A24B 7/00
See application file for complete search history.

(56) **References Cited**
U.S. PATENT DOCUMENTS
4,223,687 A 9/1980 Sandeen
D370,300 S * 5/1996 Gottvald D27/172
D518,728 S * 4/2006 Frantz D9/454
D531,036 S * 10/2006 Bried D9/504
D574,709 S * 8/2008 Crotts D28/91
D595,319 S * 6/2009 Park D15/126

(Continued)

FOREIGN PATENT DOCUMENTS

WO 2016/157035 A1 10/2016

Primary Examiner — Susan Bennett Hattan
Assistant Examiner — Rebecca Tsehaye
(74) *Attorney, Agent, or Firm* — Christensen O'Connor
Johnson Kindness PLLC

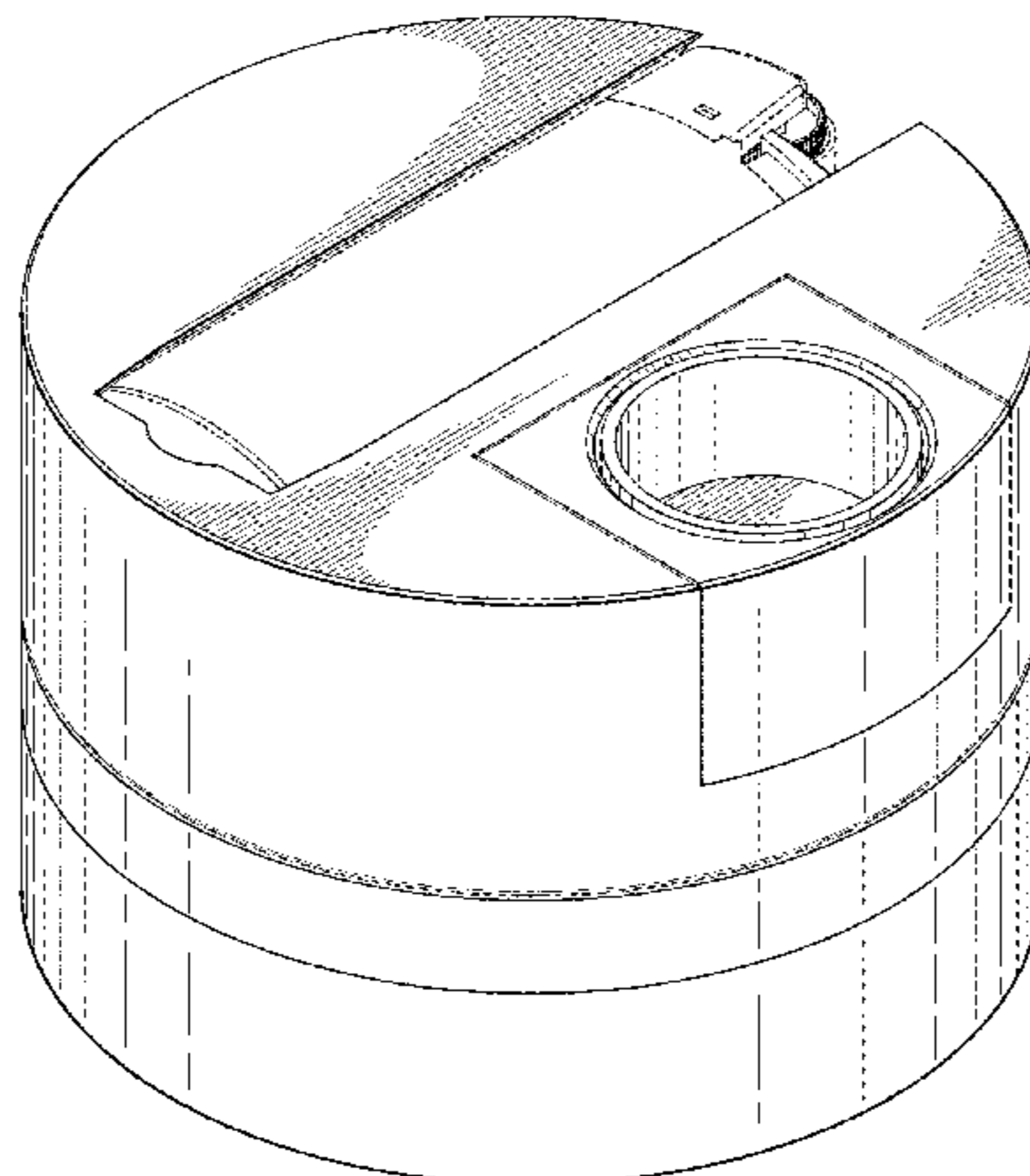
(57) **CLAIM**

The ornamental design for a combined herb grinder and pipe, as shown and described.

DESCRIPTION

FIG. 1 is a top left perspective view of the combined herb grinder and pipe, including a lighter in broken lines to show context only, the lighter forming no part of the claimed design;
FIG. 2 is a top left perspective view of the combined herb grinder and pipe;
FIG. 3 is a top right perspective view of the combined herb grinder and pipe;
FIG. 4 is a bottom perspective view of the combined herb grinder and pipe;
FIG. 5 is a left elevation view of the combined herb grinder and pipe;
FIG. 6 is a right elevation view of the combined herb grinder and pipe;
FIG. 7 is a top plan view of the combined herb grinder and pipe;
FIG. 8 is a bottom plan view of the combined herb grinder and pipe;
FIG. 9 is a rear elevation view of the combined herb grinder and pipe;
FIG. 10 is a front elevation view of the combined herb grinder and pipe; and,
FIG. 11 is an enlarged fragmentary view of the bowl portion of the pipe, showing the depth of the bowl. The dash-dot-dot line does not constitute a feature of the design but instead defines the boundary of the fragmentary view.
The broken lines in the figures are for the purpose of illustrating portions of the combined herb grinder, pipe, and lighter holder and form no part of the claimed design.

1 Claim, 9 Drawing Sheets



(56)

References Cited

U.S. PATENT DOCUMENTS

7,717,259	B2	5/2010	Hatton	
D640,546	S *	6/2011	Berggren	D9/421
8,567,597	B2 *	10/2013	Gibson	A24F 23/00
				206/236
8,584,842	B2	11/2013	Fakhouri et al.	
D702,398	S	4/2014	Fakhouri et al.	
D714,595	S	10/2014	Ducey	
8,978,661	B2 *	3/2015	Atchley	A24B 13/00
				131/111
D726,367	S	4/2015	Dukat	
9,192,194	B2	11/2015	Fakhouri et al.	
9,241,597	B2	1/2016	Dukat	
D755,022	S	5/2016	Dukat	
D755,584	S	5/2016	Dukat	
D759,438	S	6/2016	Dukat	
D761,064	S	7/2016	Dukat	
9,795,165	B2 *	10/2017	Bried	A24F 23/00
9,908,670	B2 *	3/2018	Patel	A24F 23/00
9,999,575	B2 *	6/2018	Lampe	A24F 23/00
2012/0193265	A1 *	8/2012	Patel	A24F 23/00
				206/524.6
2013/0160778	A1	6/2013	Magnone	
2016/0081390	A1	3/2016	Ackerman	
2016/0100715	A1	4/2016	Staiano et al.	
2016/0128513	A1	5/2016	Chan	
2016/0262448	A1	9/2016	Zeitlin	
2016/0278430	A1	9/2016	Shalom	

* cited by examiner

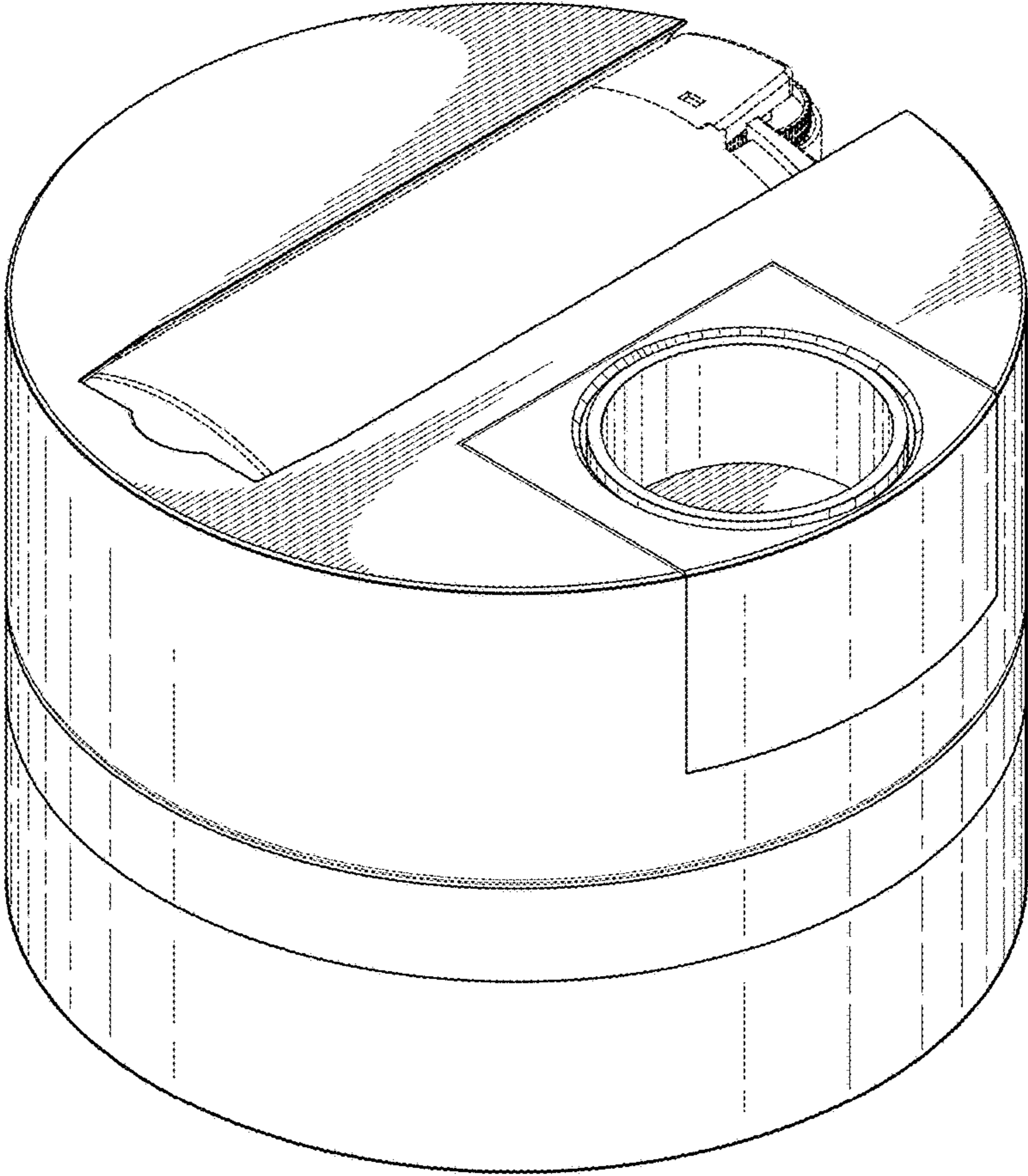


Fig. 1.

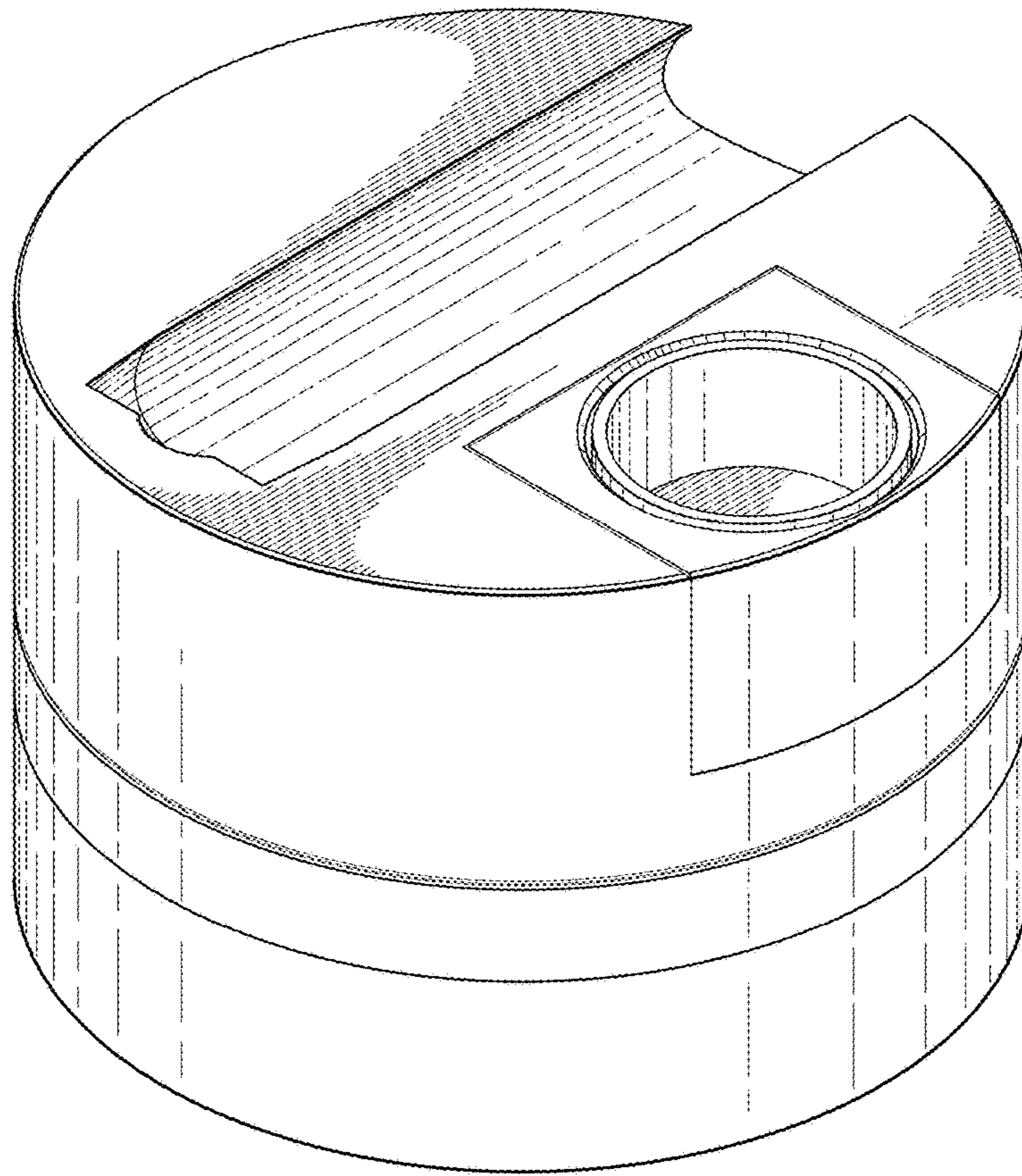


Fig. 2.

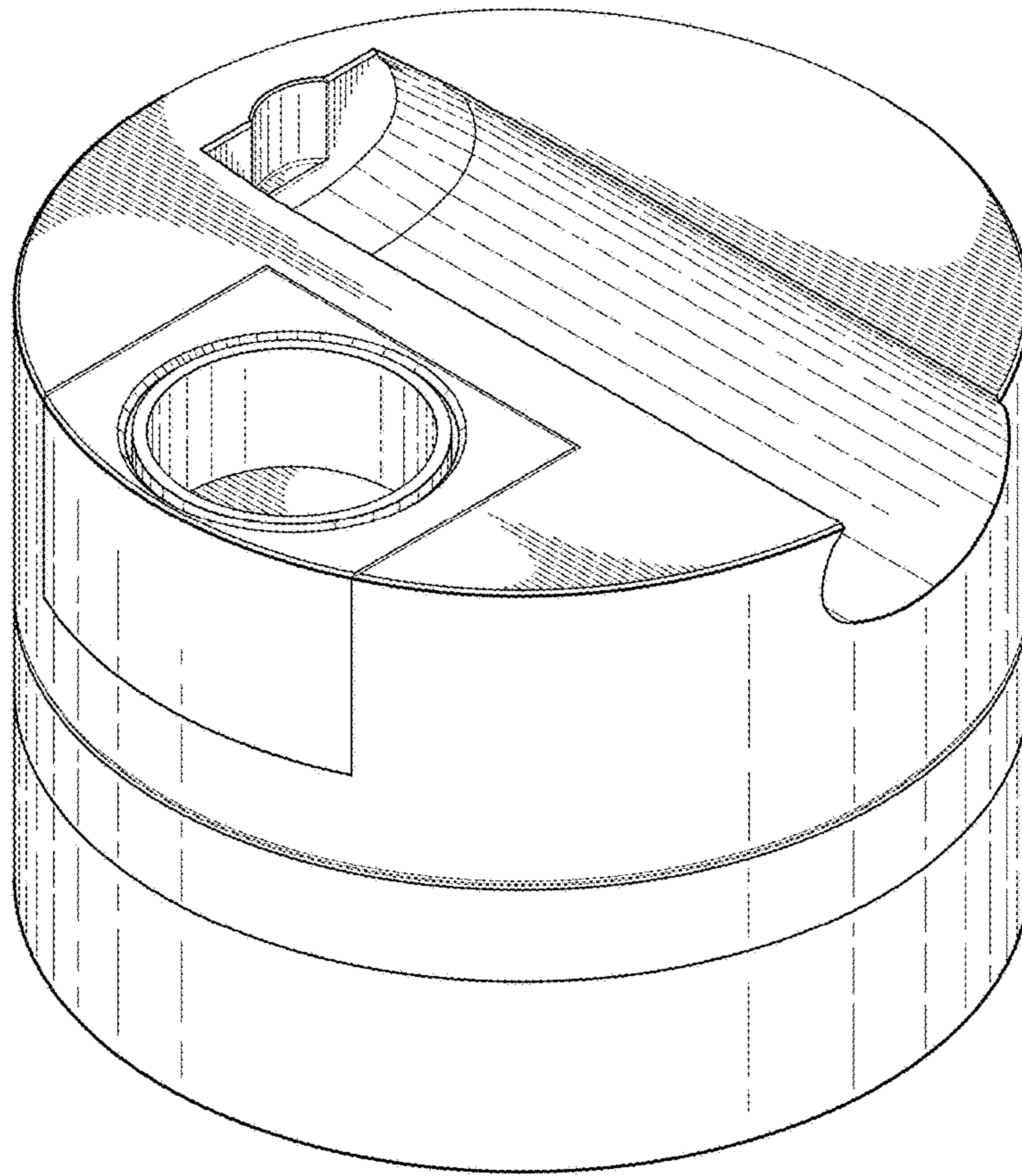


Fig. 3.

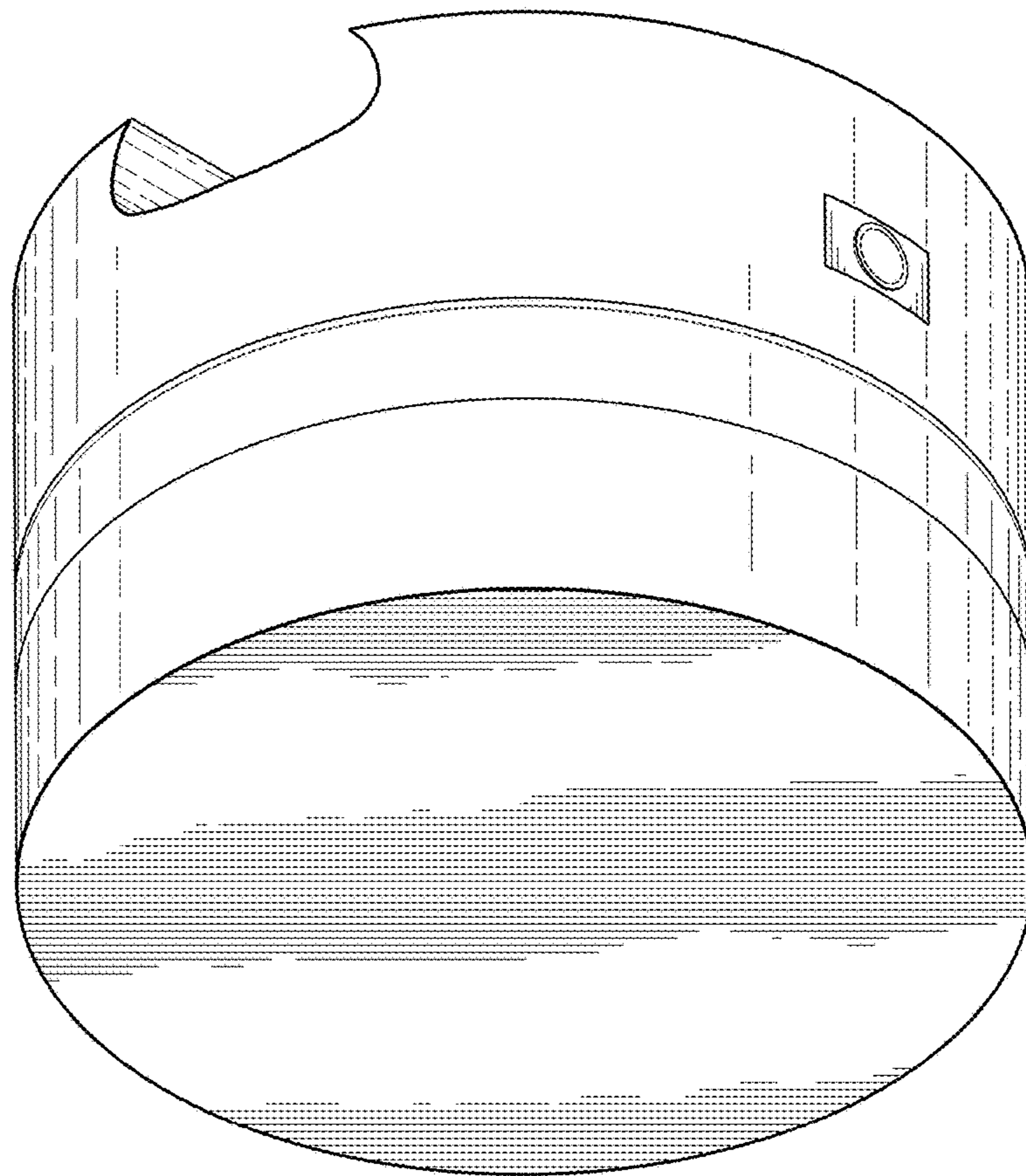


Fig. 4.

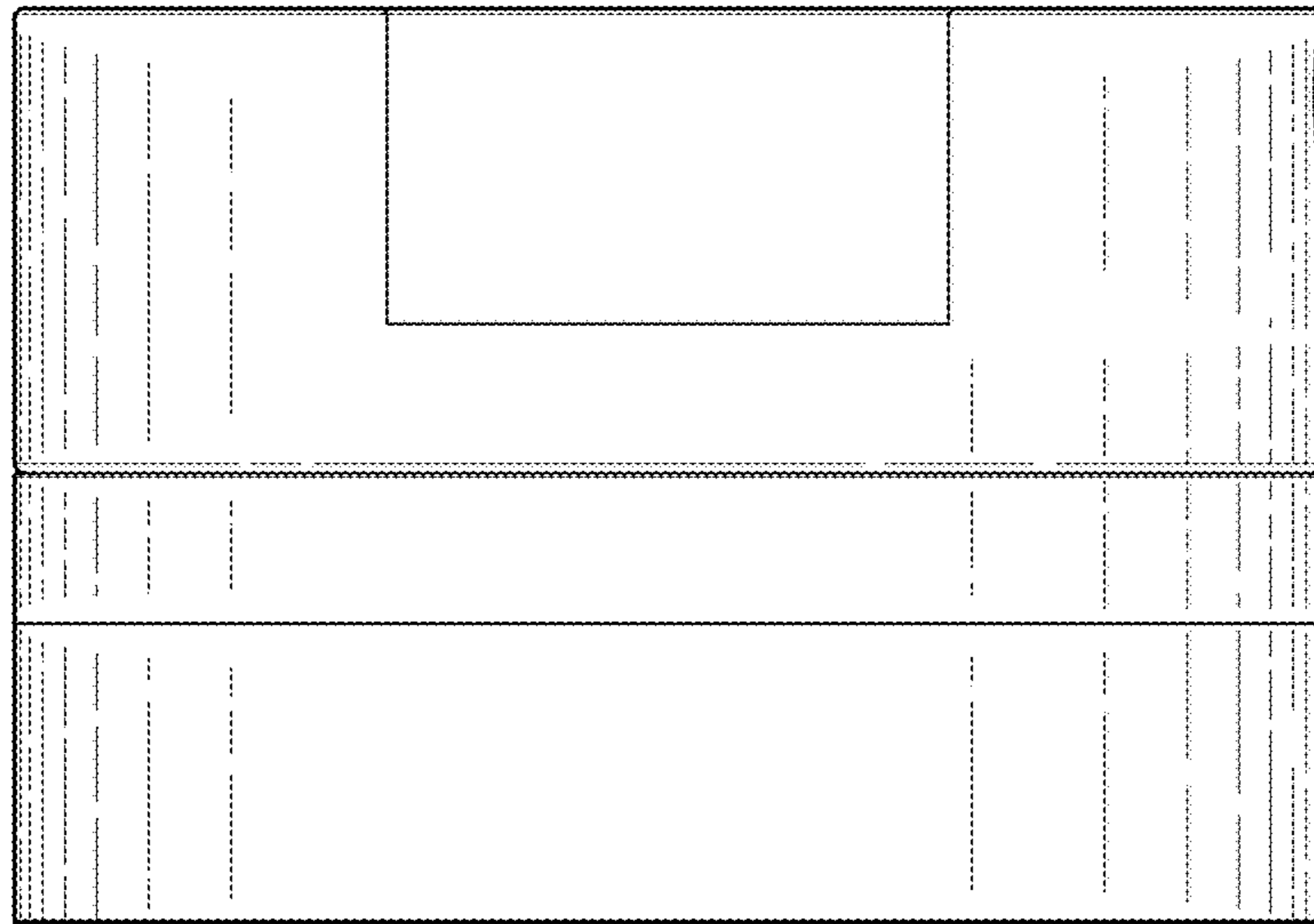


Fig. 5.

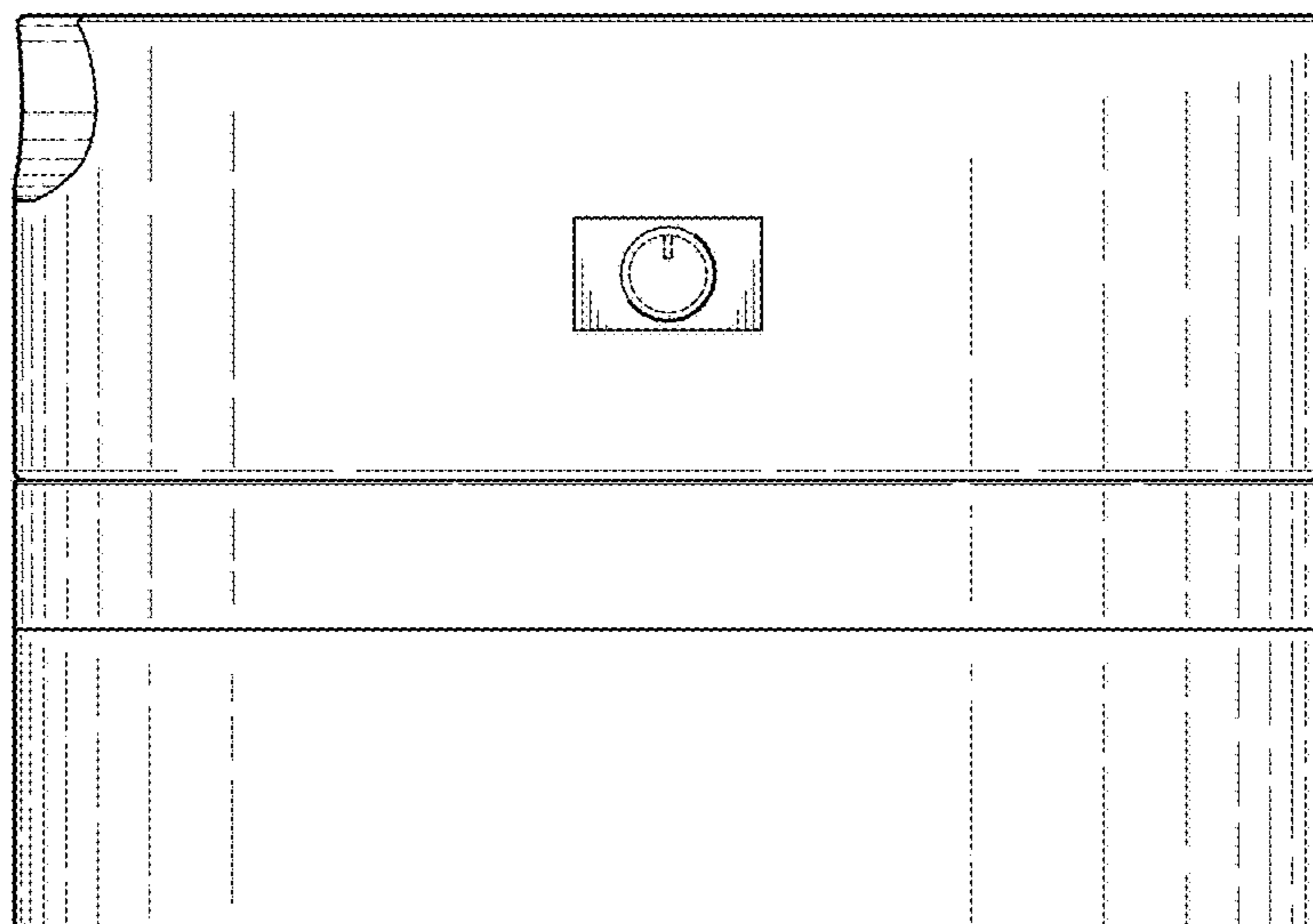


Fig. 6.

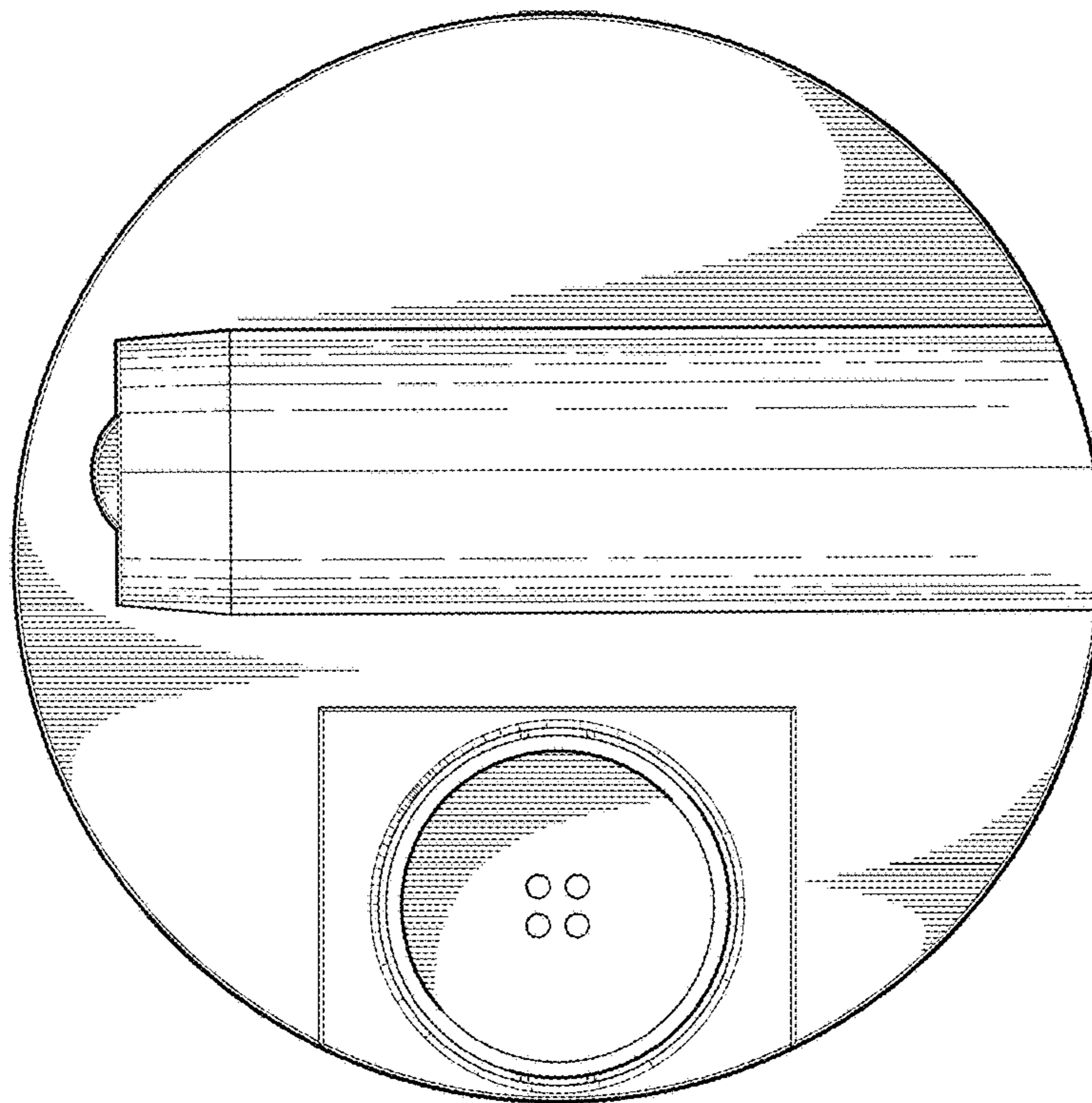


Fig. 7.

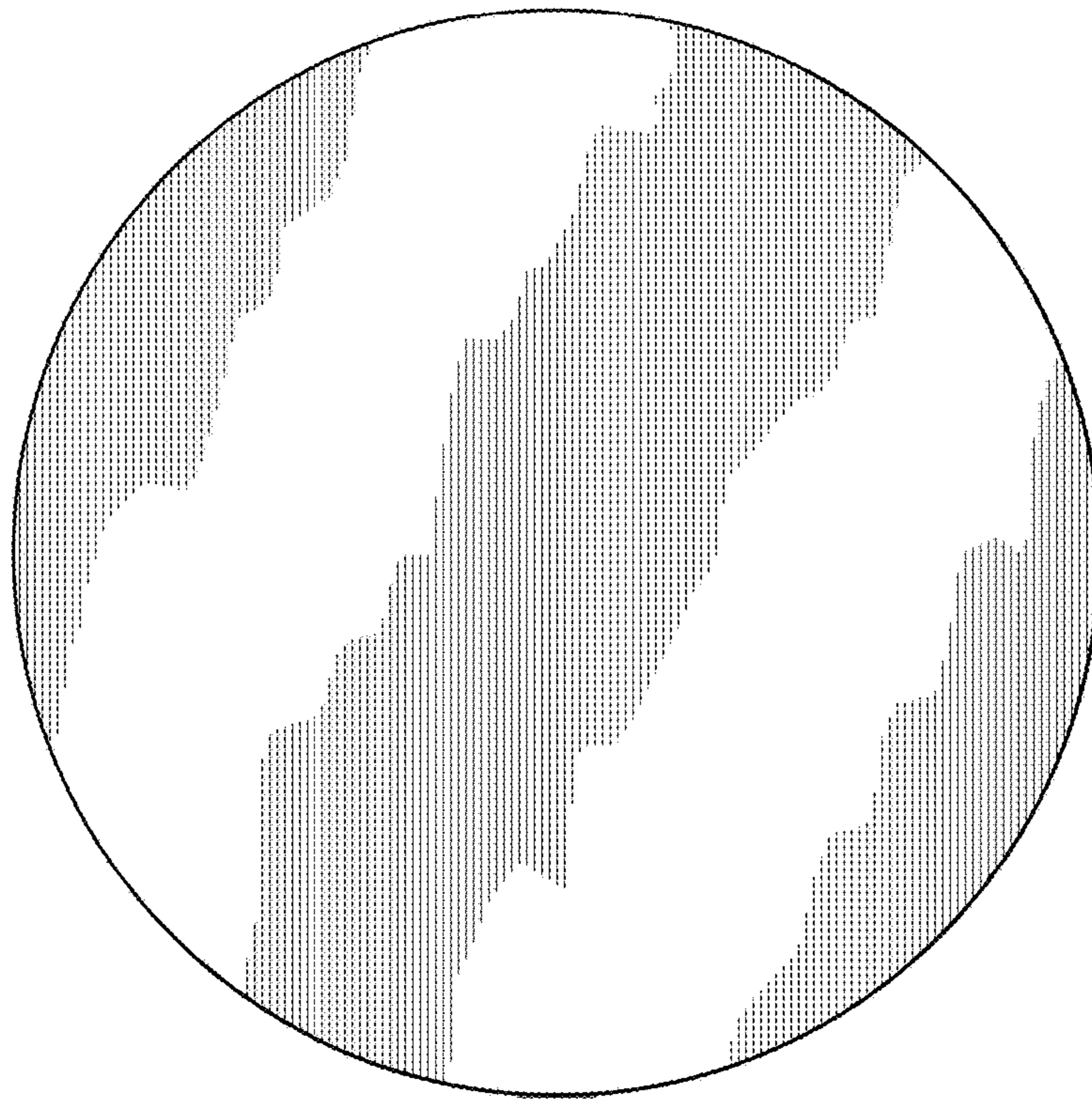


Fig. 8.

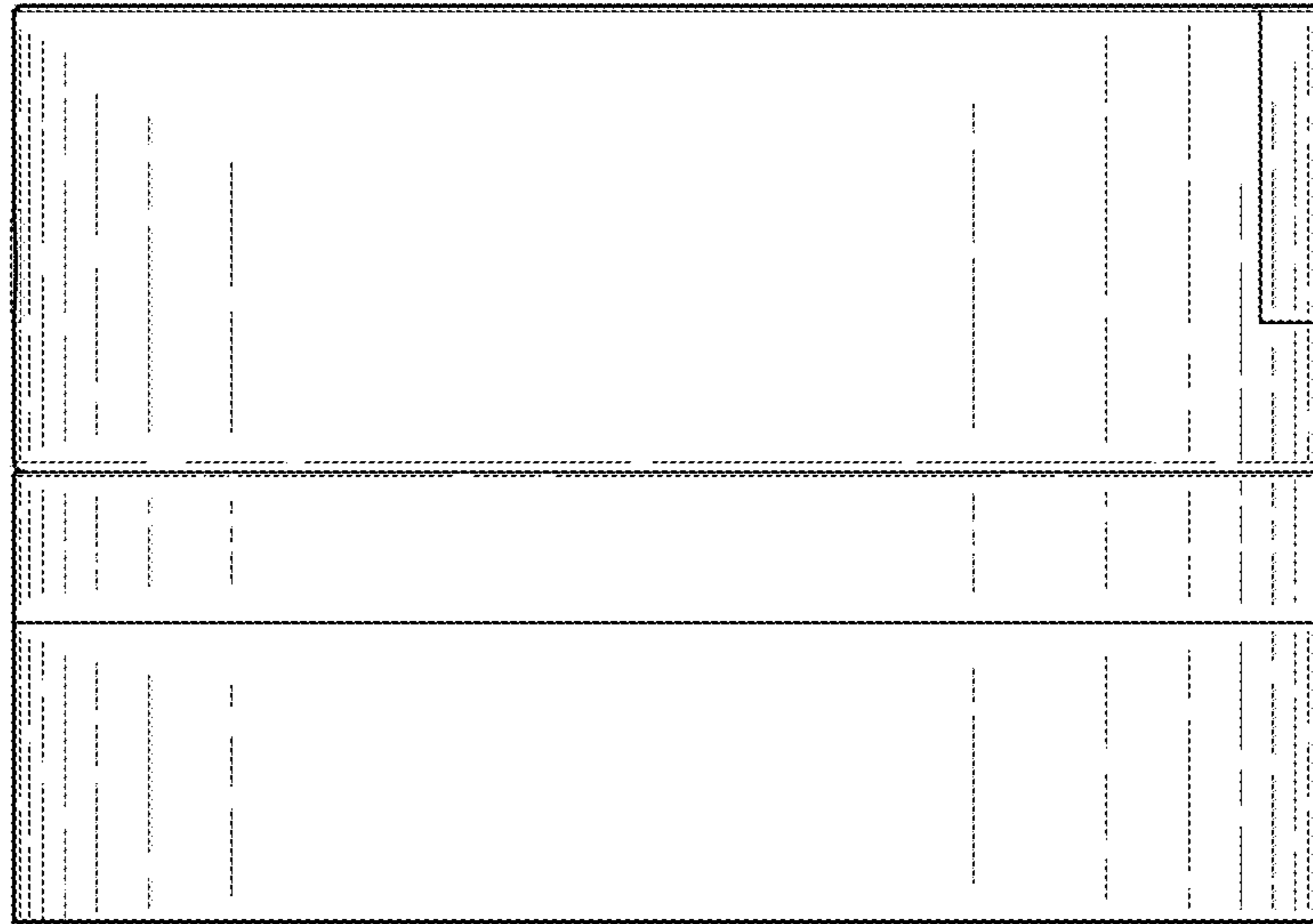


Fig. 9.

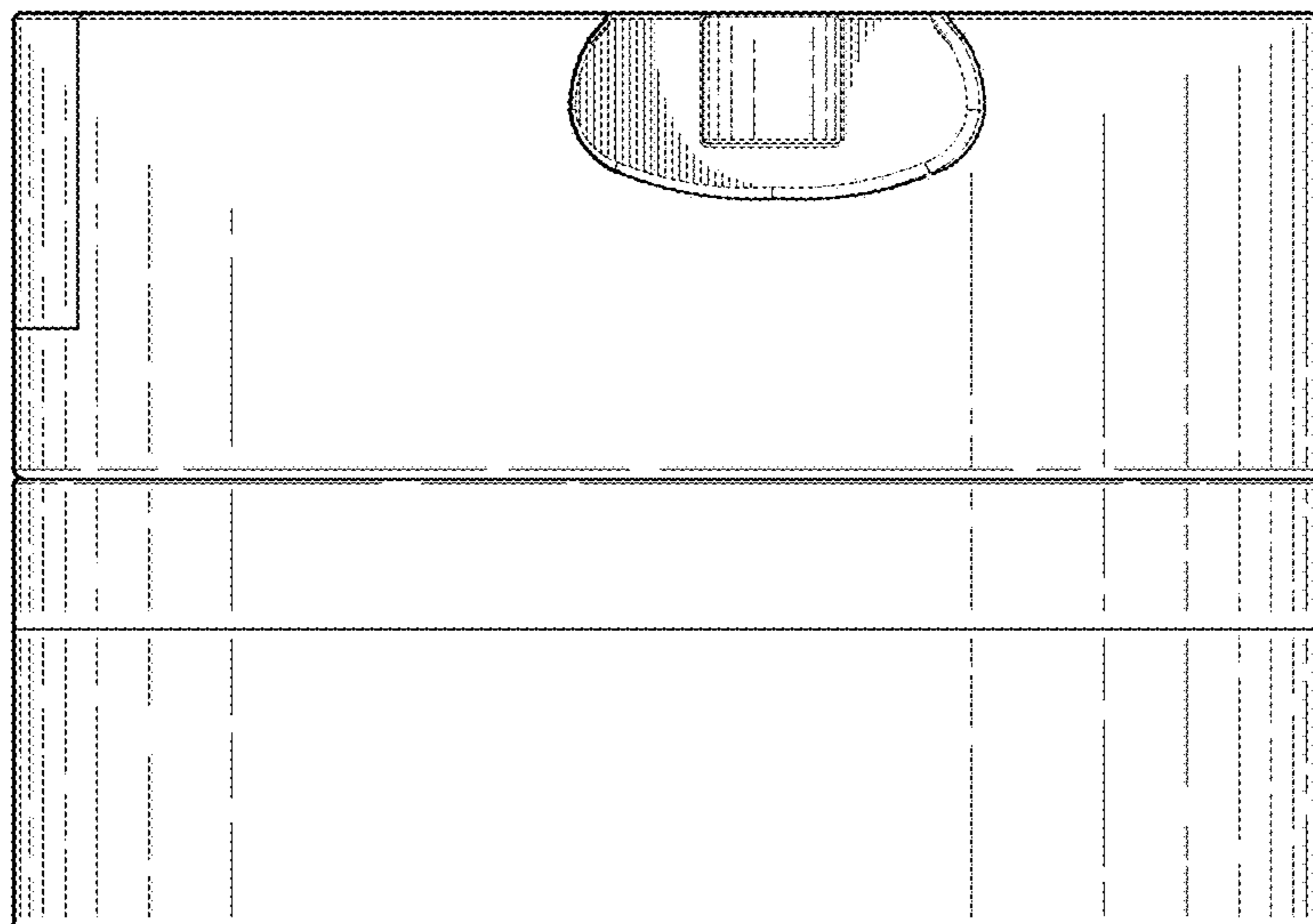


Fig. 10.

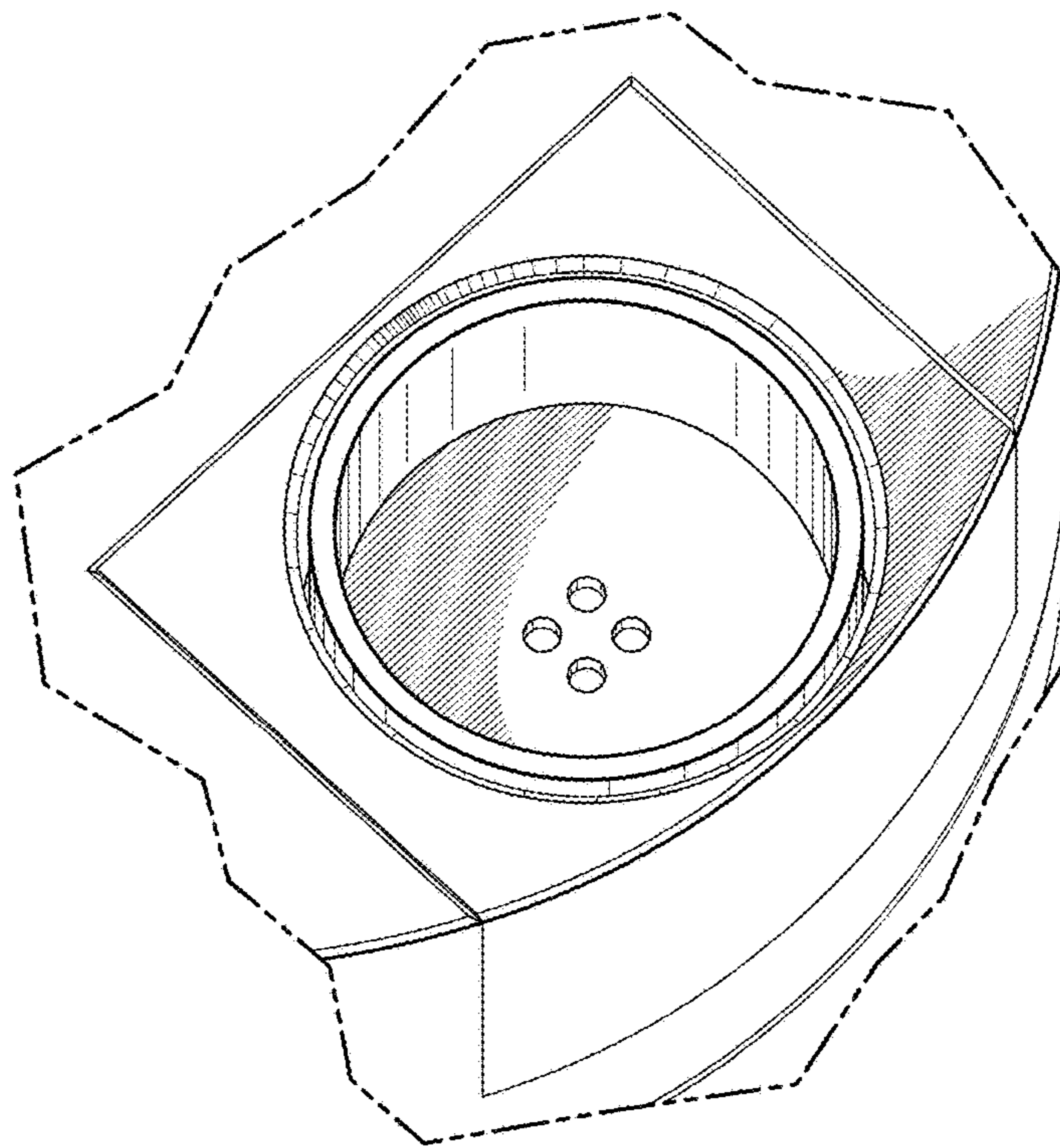


Fig. 11.