



US00D842534S

(12) **United States Design Patent** (10) **Patent No.:** **US D842,534 S**
Gittin, Jr. et al. (45) **Date of Patent:** **** Mar. 5, 2019**

(54) **PAIR OF CUSTOM TRUCK GRILLE LIGHTS FOR A VEHICLE**

(71) Applicant: **Vaughn Gittin, Jr.**, Huntersville, NC (US)

(72) Inventors: **Vaughn Gittin, Jr.**, Huntersville, NC (US); **Lindsay Ross**, Charlotte, NC (US)

(73) Assignee: **Vaughn Gittin, Jr.**

(**) Term: **15 Years**

(21) Appl. No.: **29/624,030**

(22) Filed: **Oct. 30, 2017**

(51) **LOC (11) Cl.** **26-99**

(52) **U.S. Cl.**
USPC **D26/139**

(58) **Field of Classification Search**
USPC D26/28-36, 139
CPC F21S 48/00; F21S 48/10; F21S 48/115;
F21S 48/225; F21S 48/1233; F21S 48/1266; F21S 48/1388; F21S 48/2268;
F21V 21/04; B60Q 9/13; B60Q 9/135;
B60Q 9/1375

See application file for complete search history.

(56) **References Cited**

U.S. PATENT DOCUMENTS

D485,936 S *	1/2004	Tsai	D26/139
D487,819 S *	3/2004	Tsai	D26/139
D494,706 S *	8/2004	Tsai	D26/139
D787,739 S	5/2017	Gittin, Jr.		

OTHER PUBLICATIONS

LED Concepts, Fitted LED Accents <https://www.ledconceptsighting.com/fitted-led-accents/fitted-halo-kits.html>, downloaded Sep. 26, 2017.

Ebay, EAG Matte Black ABS Vicious Style Front Hood LED Mesh Grille for 15-17 Ford F-150, <https://www.ebay.com/p/EAG-Matte-Black-ABS-Vicious-Style-Front>, downloaded Sep. 26, 2017.

(Continued)

Primary Examiner — Marcus A Jackson
(74) *Attorney, Agent, or Firm* — Pitts & Lake, P.C.

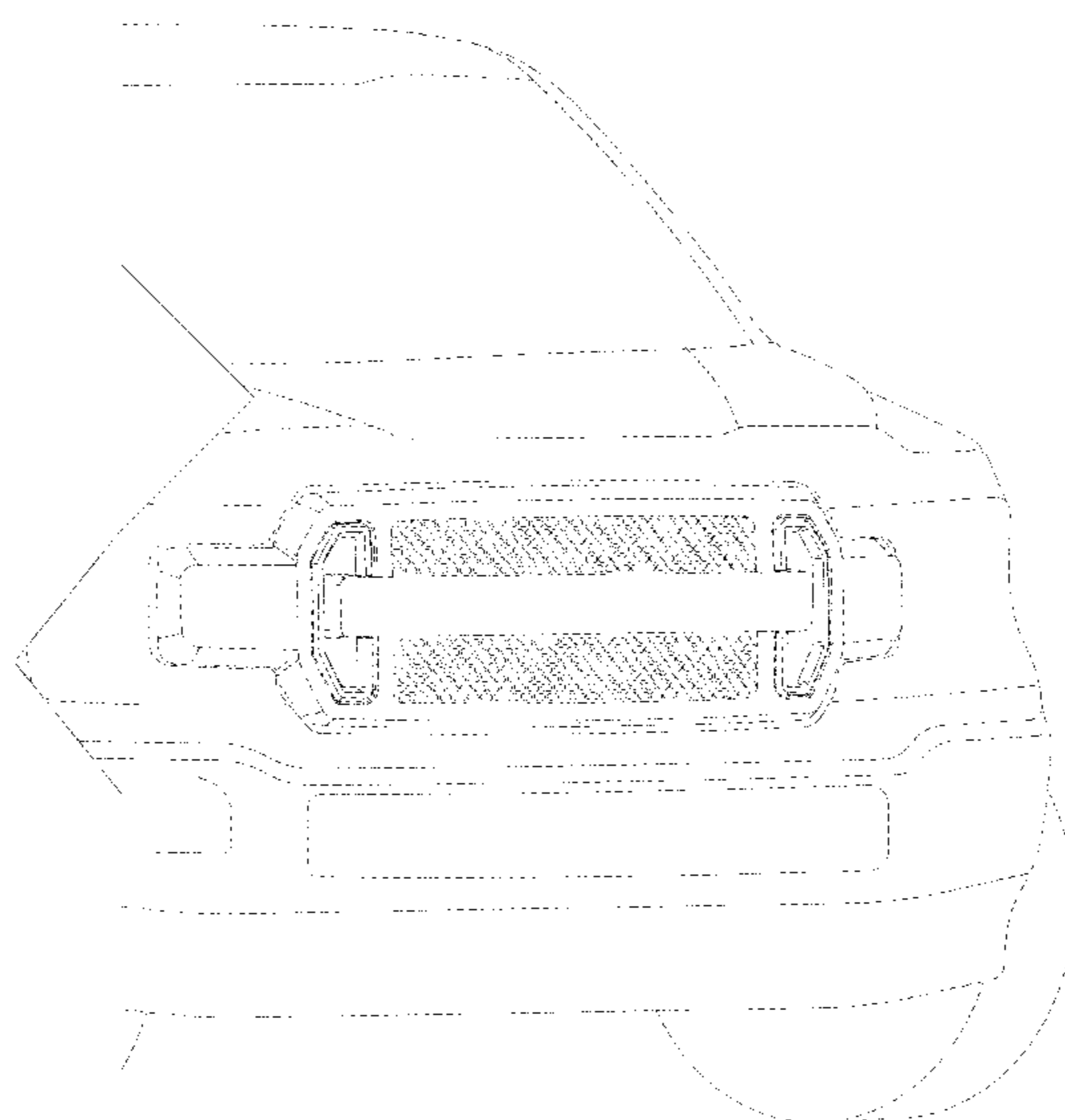
(57) **CLAIM**

The ornamental design for a pair of custom truck grille lights for a vehicle, as shown and described.

DESCRIPTION

FIG. 1 is a perspective view of a pair of custom truck grille lights for a vehicle represented in a lite truck showing my new design;
FIG. 2 is a perspective view of the pair of custom truck grille lights for a vehicle;
FIG. 3 is a front elevation view thereof;
FIG. 4 is a rear elevation view thereof;
FIG. 5 is a top plan view thereof;
FIG. 6 is a bottom plan view thereof;
FIG. 7 is a left elevation view thereof, of which the right elevation view is a mirror image;
FIG. 8 is a perspective view of another embodiment of the pair of custom truck grille lights for a vehicle;
FIG. 9 is a front elevation view thereof, of which the back elevation view is a mirror image;
FIG. 10 is a top plan view thereof;
FIG. 11 is a bottom plan view thereof; and,
FIG. 12 is a right side elevation view thereof, of which the left side elevation view is a mirror image.
The broken line showing in the drawings is included for the purpose of illustrating and forms no part of the claimed design.

1 Claim, 7 Drawing Sheets



(56)

References Cited

OTHER PUBLICATIONS

Ebay, EAG ABS LED Vicious Packaged Mesh Grille W/Raptor Characters for 15-17 Ford F-150, <https://www.ebay.com/itm/EAG-ABS-LED-Vicious-Packaged-Mesh-Grille>, Downloaded Sep. 26, 2017.

LED Concepts, Halo Headlights, LED Forward Lighting, Off Road LED Light Bars, Projector Headlights, <https://ledconceptslighting.com/halo-headlight-kits/ford-mustang-2015-2017/>, downloaded Dec. 18, 2017.

* cited by examiner

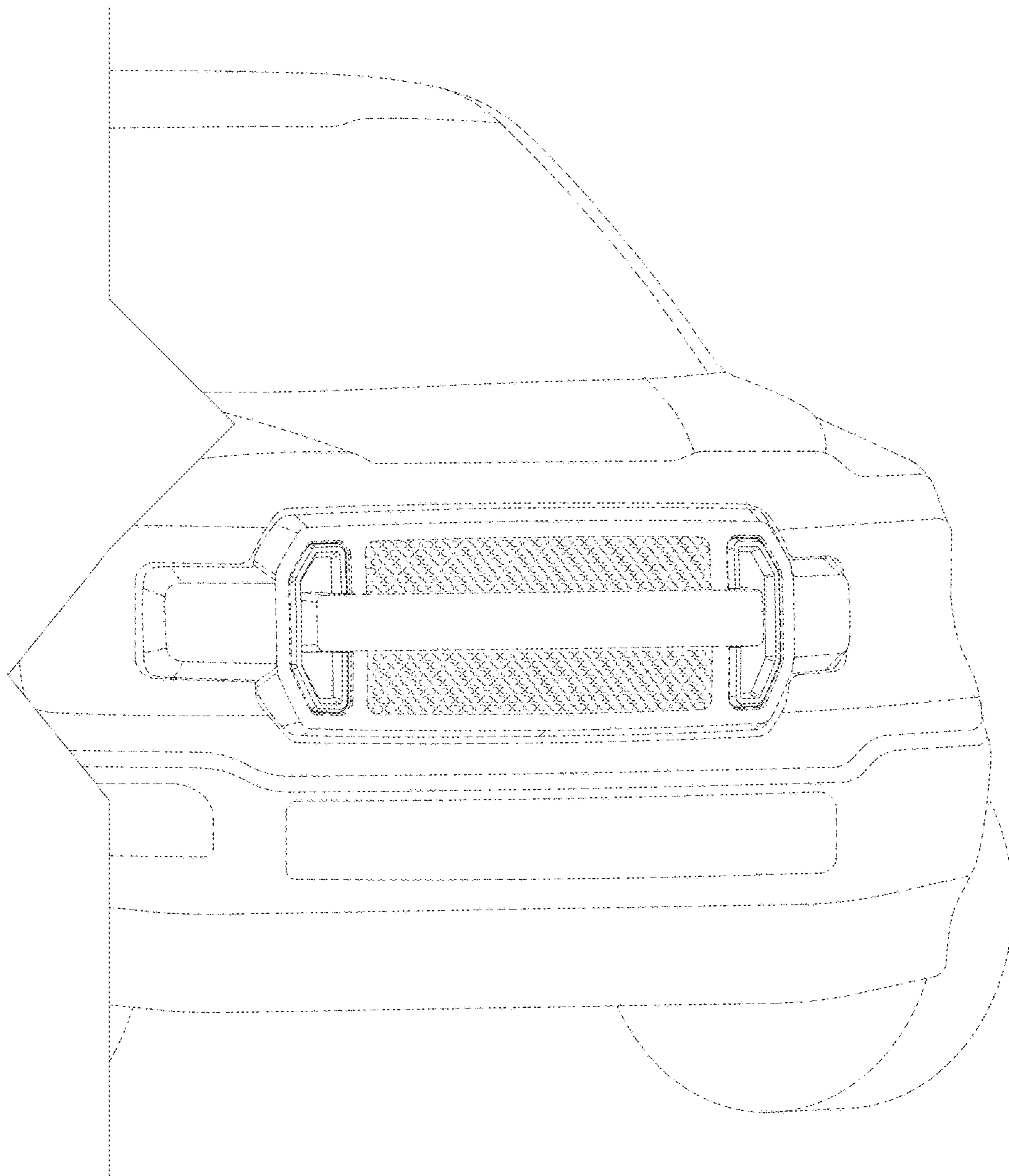


Fig. 1

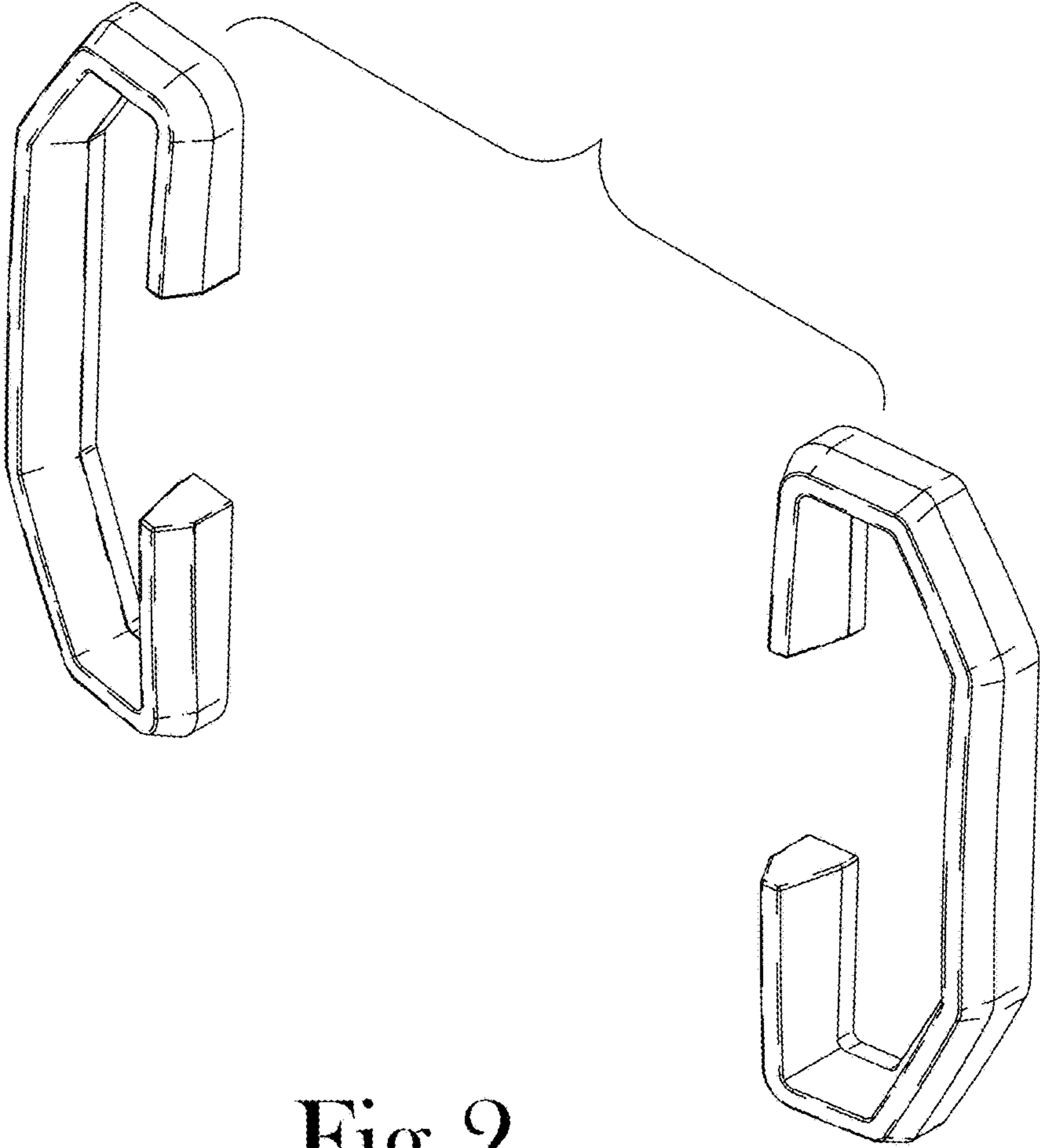


Fig.2

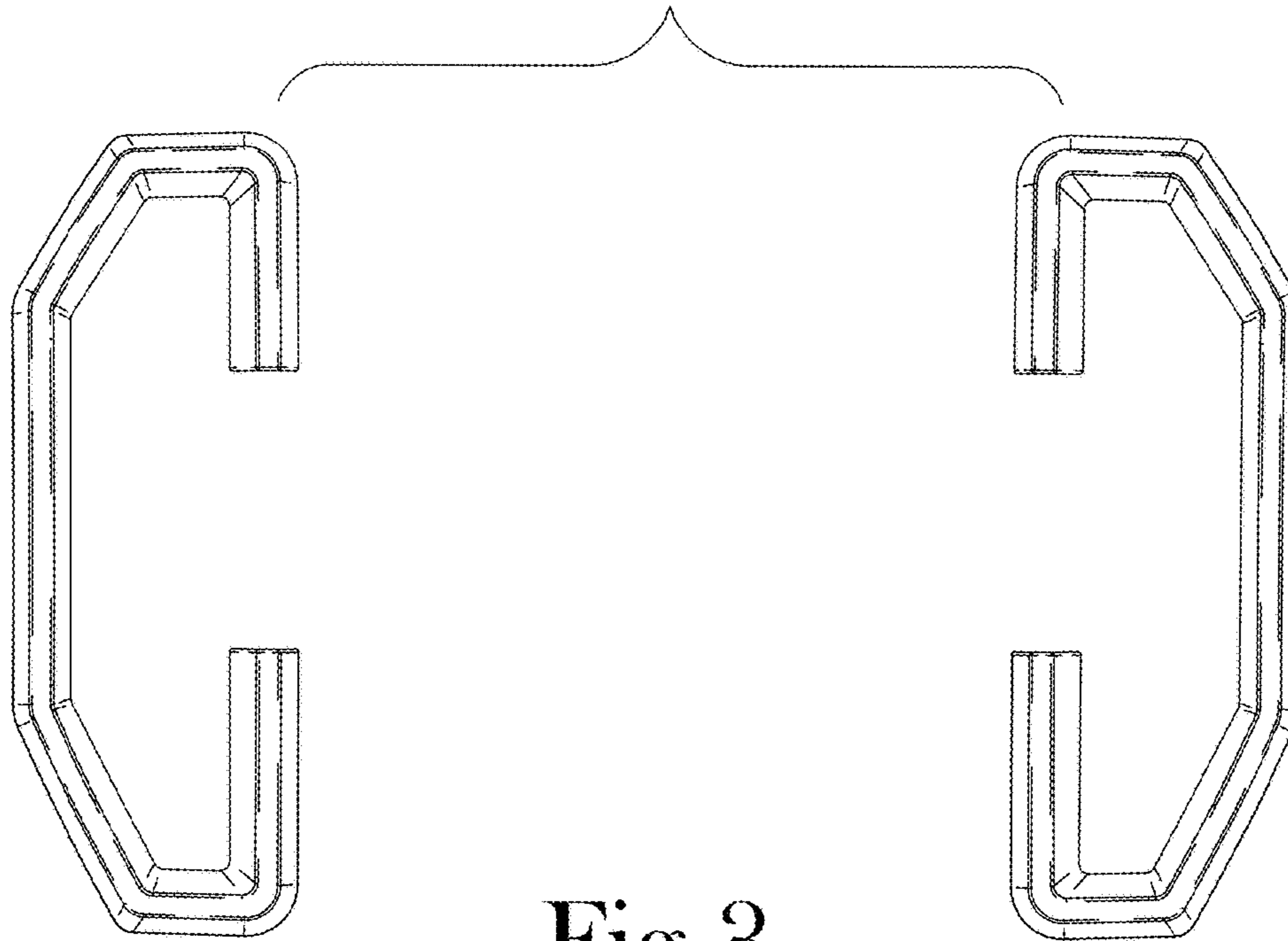


Fig.3

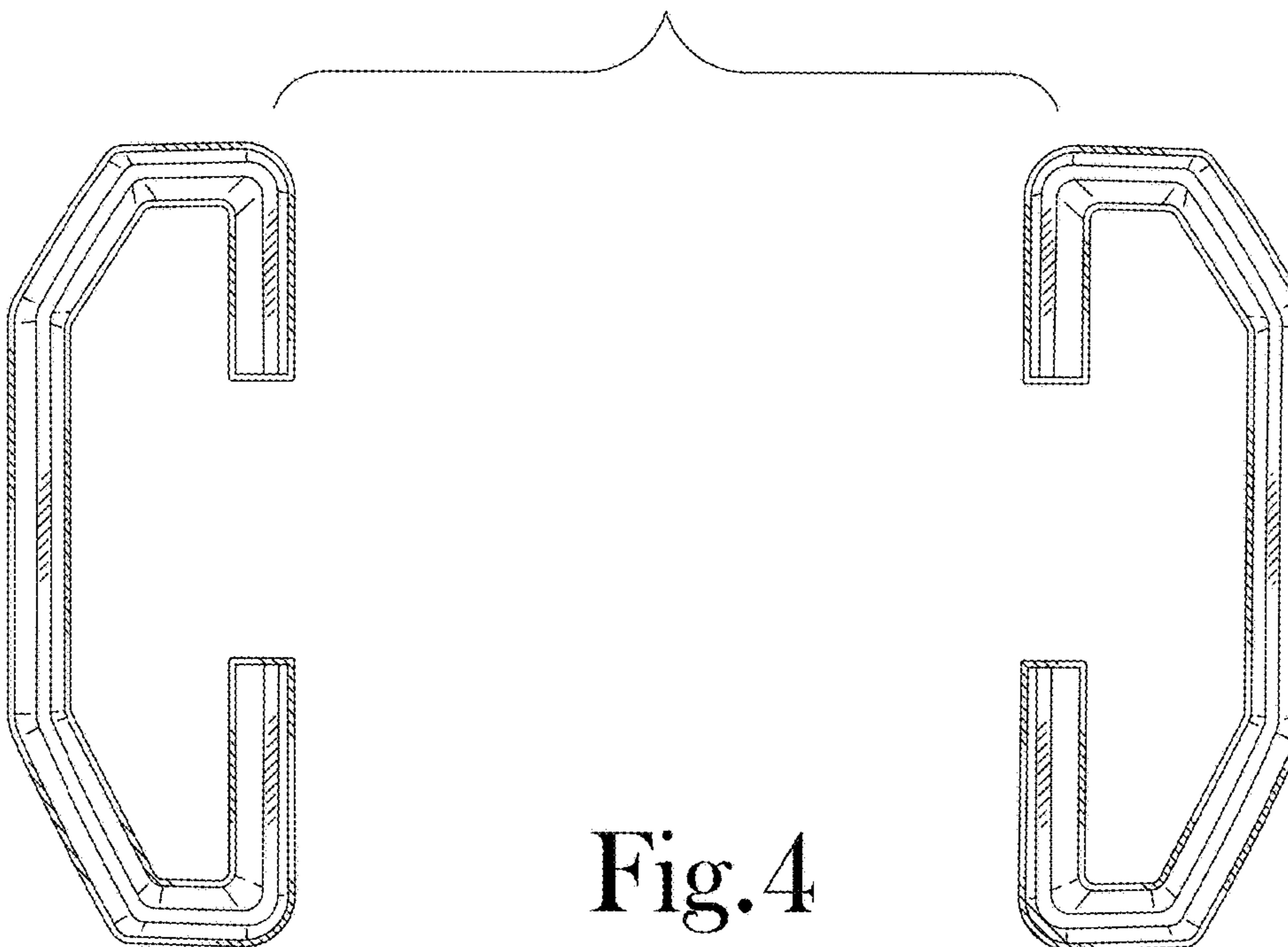


Fig.4

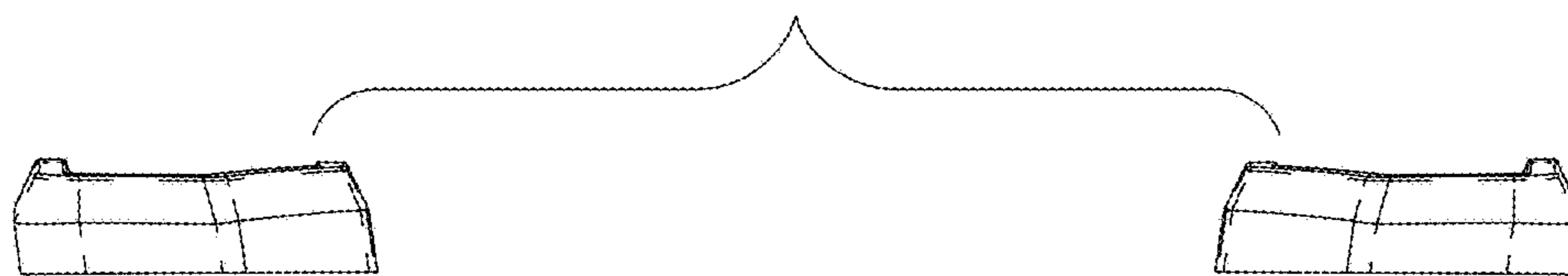


Fig.5

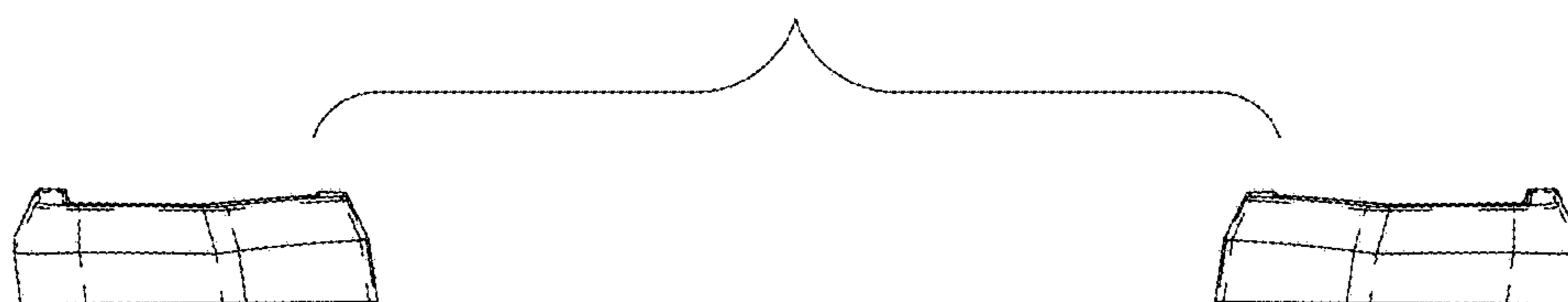


Fig.6

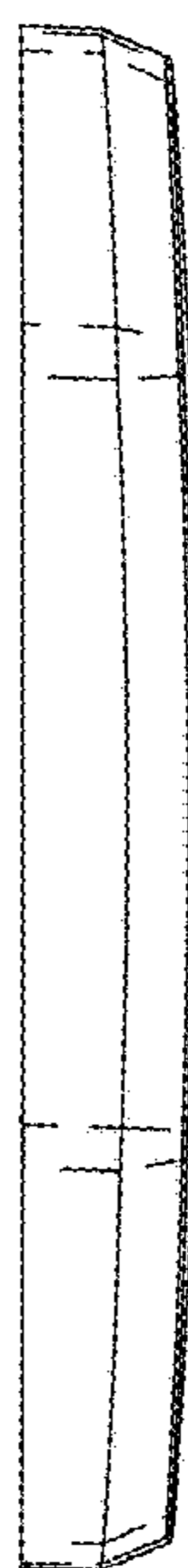
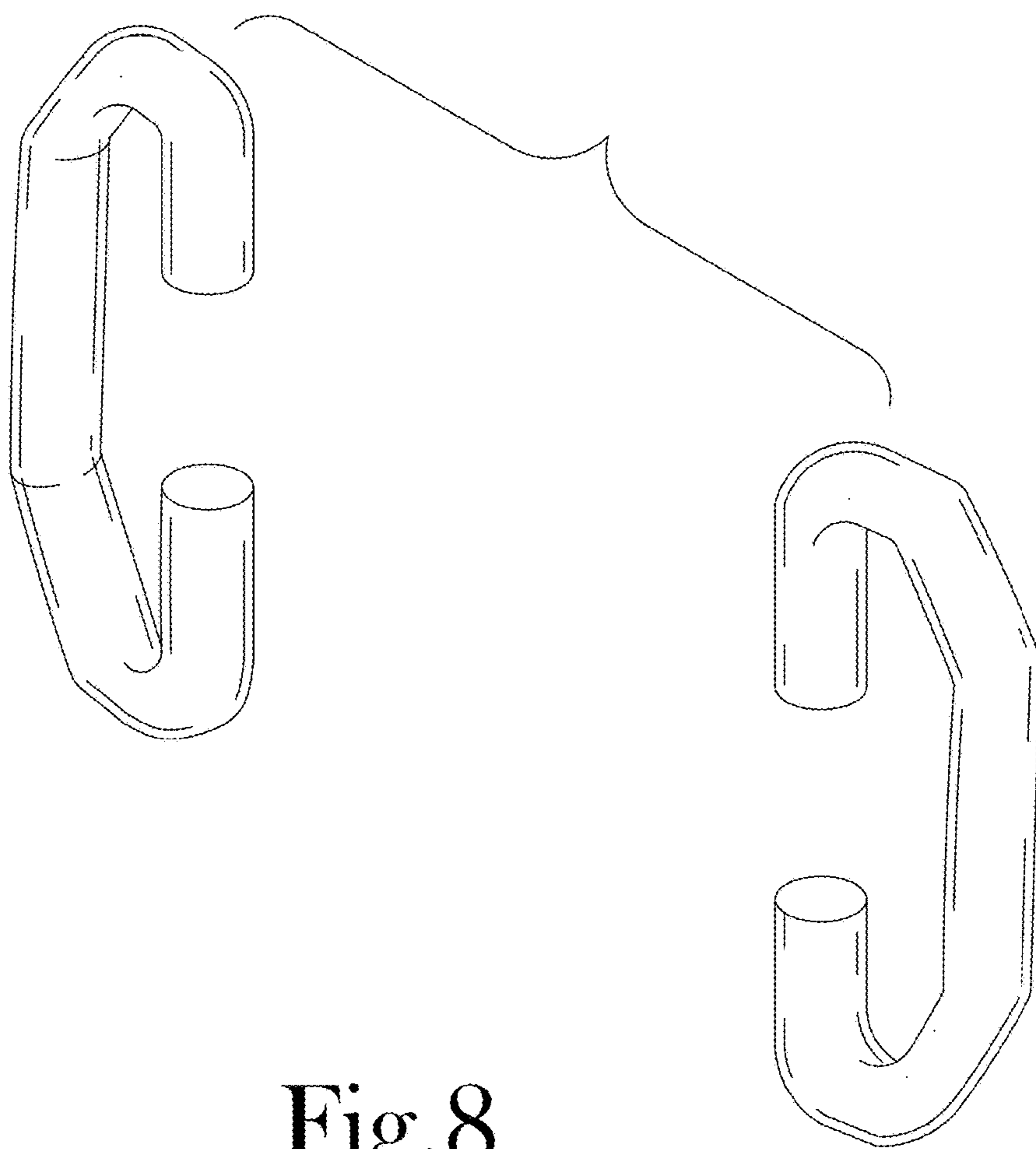


Fig.7



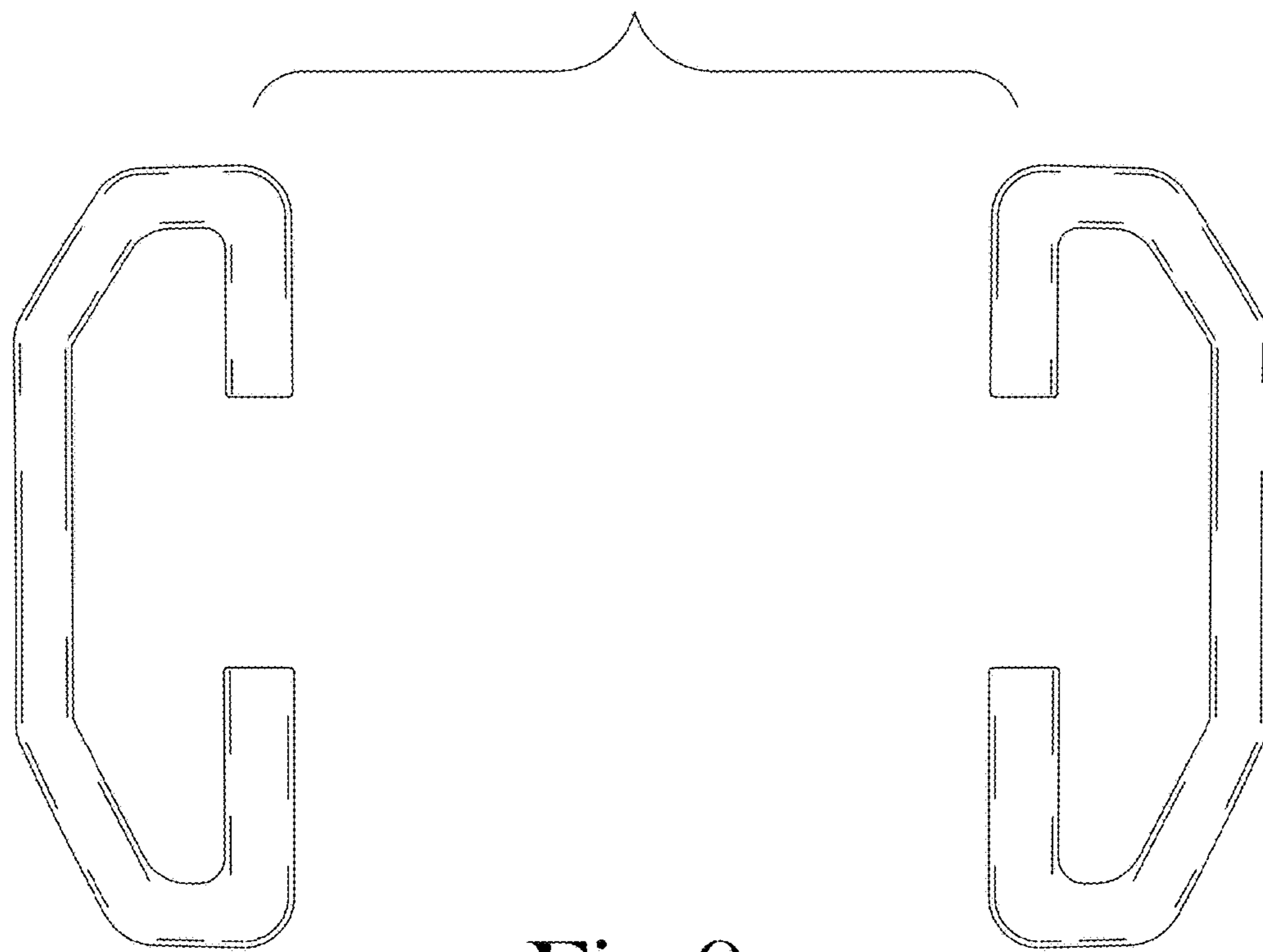


Fig.9

