



US00D842529S

(12) **United States Design Patent** (10) **Patent No.:** **US D842,529 S**  
**Kiani** (45) **Date of Patent:** **\*\* Mar. 5, 2019**

(54) **LIGHTING**

(71) Applicant: **CALZAVARA SPA.**, Basiliano (UD)  
(IT)

(72) Inventor: **Maryam Kiani**, Tehran (IR)

(73) Assignee: **CALZAVARA SPA.**, Basiliano (UD)  
(IT)

(\*\*) Term: **15 Years**

(21) Appl. No.: **29/632,386**

(22) Filed: **Jan. 8, 2018**

**Related U.S. Application Data**

(62) Division of application No. 29/585,253, filed on Nov. 22, 2016, now Pat. No. Des. 810,996.

(30) **Foreign Application Priority Data**

Jun. 15, 2016 (EM) ..... 003191220

(51) **LOC (11) Cl.** ..... **26-99**

(52) **U.S. Cl.**  
USPC ..... **D26/110**

(58) **Field of Classification Search**  
USPC ..... D26/24, 93, 95, 104, 106, 110, 112, 105  
CPC .... F21S 6/00; F21S 6/002; F21S 6/004; F21S  
6/008; F21S 8/08; F21V 21/00; F21V  
21/02; F21W 2131/30

See application file for complete search history.

(56) **References Cited**

U.S. PATENT DOCUMENTS

D500,572 S *	1/2005	Linder, Jr. ....	D26/93
D527,136 S *	8/2006	Biersach ....	D26/93
D535,050 S *	1/2007	Acerbis ....	D26/104
D739,071 S *	9/2015	Adams ....	D26/110
D740,483 S *	10/2015	Miyake ....	D26/93
D782,726 S *	3/2017	Thompson ....	D26/93
D791,393 S *	7/2017	Donner ....	D26/110

\* cited by examiner

*Primary Examiner* — Brian N. Vinson

(74) *Attorney, Agent, or Firm* — Sughrue Mion, PLLC

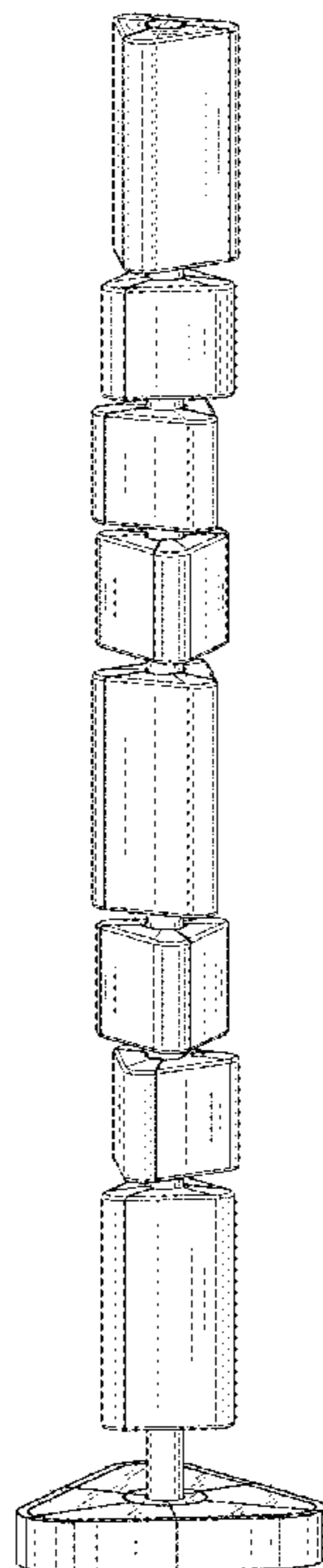
(57) **CLAIM**

The ornamental design for lighting, as shown and described.

**DESCRIPTION**

FIG. 1 is a perspective view of my design;  
FIG. 2 is a front view thereof;  
FIG. 3 is rear view thereof;  
FIG. 4 is right side view thereof;  
FIG. 5 is left side view thereof;  
FIG. 6 is top view thereof; and,  
FIG. 7 is bottom view thereof.

**1 Claim, 4 Drawing Sheets**



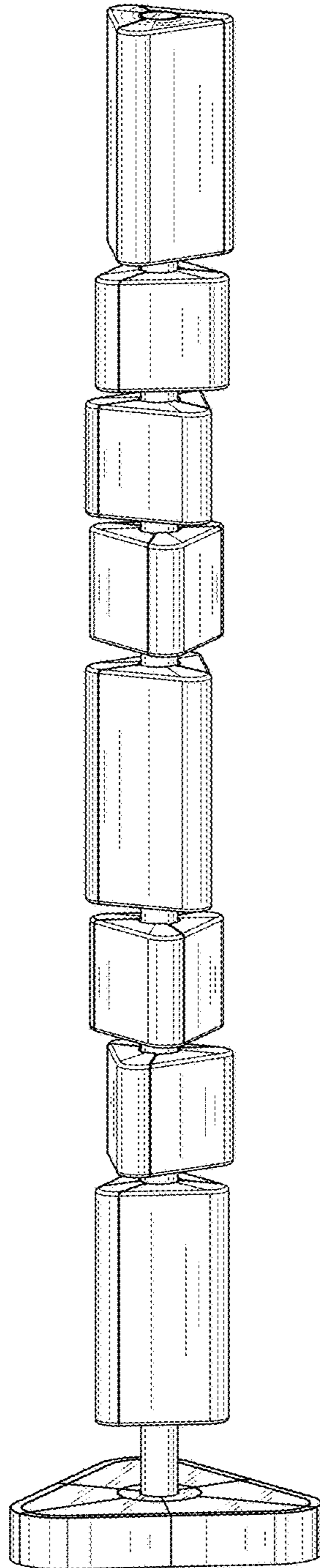


FIG. 1

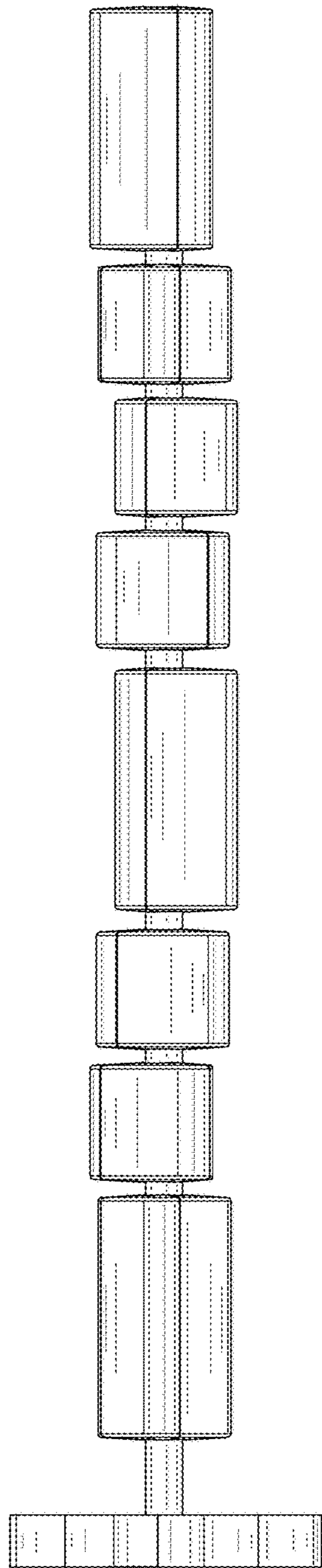


FIG. 2

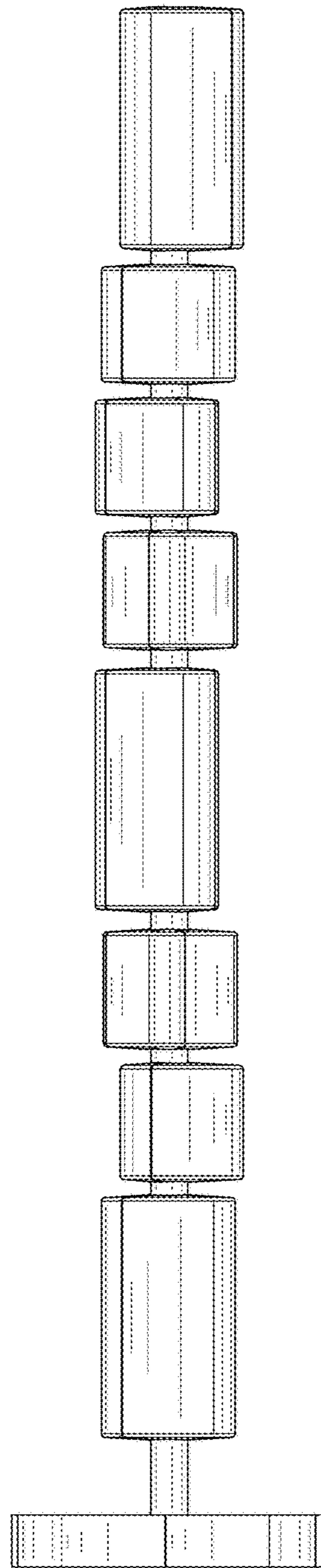


FIG. 3

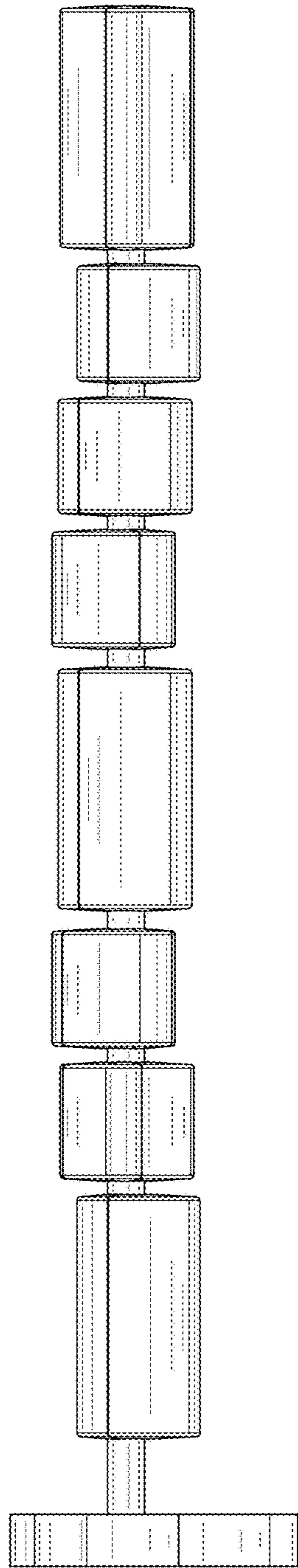


FIG. 4

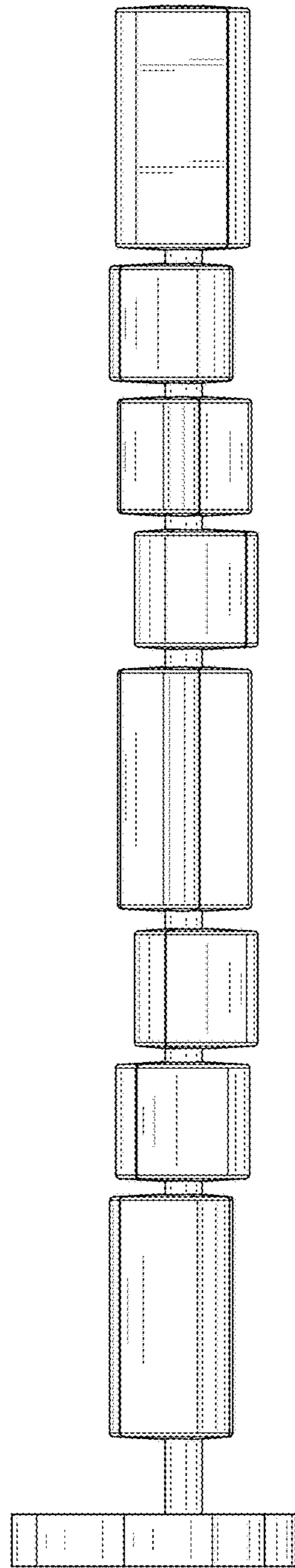


FIG. 5

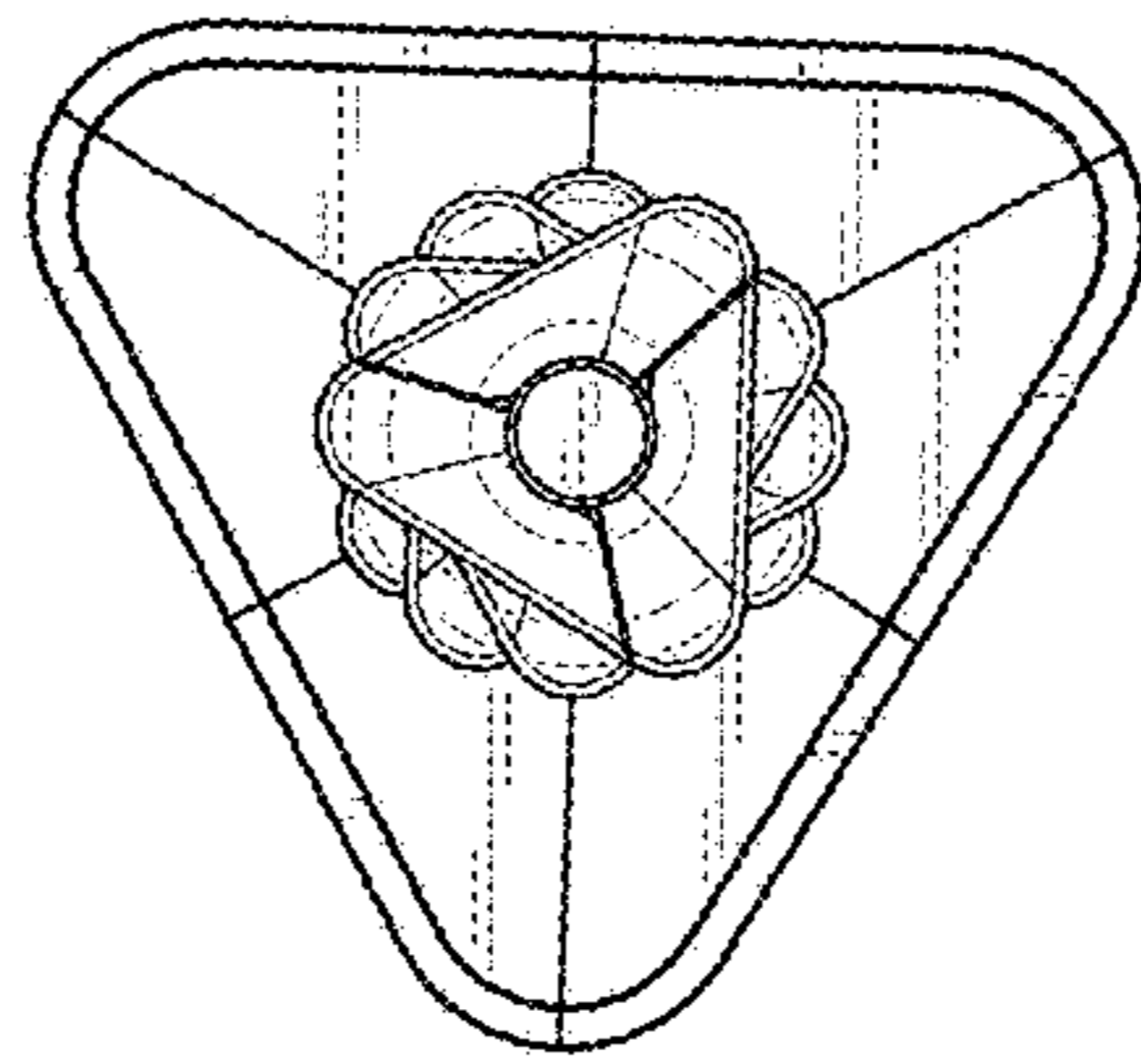


FIG. 6

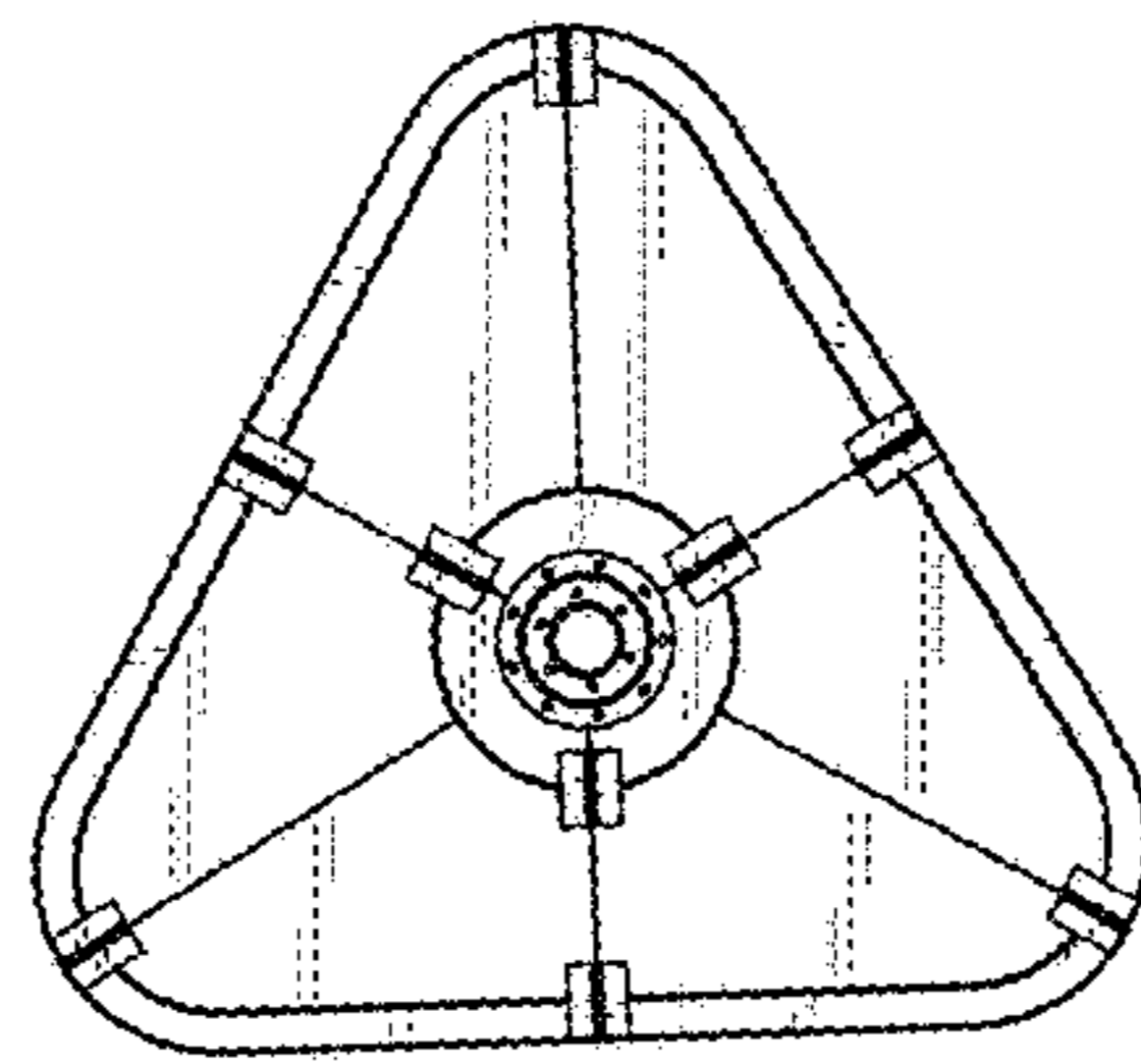


FIG. 7