



US00D842528S

(12) **United States Design Patent**
Yu

(10) **Patent No.:** **US D842,528 S**
(45) **Date of Patent:** **** Mar. 5, 2019**

- (54) **LED LIGHT FIXTURE**
- (71) Applicant: **Chung Han Yu**, City of Industry, CA (US)
- (72) Inventor: **Chung Han Yu**, City of Industry, CA (US)
- (**) Term: **15 Years**
- (21) Appl. No.: **29/599,637**
- (22) Filed: **Apr. 5, 2017**
- (51) **LOC (11) Cl.** **26-03**
- (52) **U.S. Cl.**
USPC **D26/88; D26/72**
- (58) **Field of Classification Search**
USPC D26/71, 72, 80, 88, 91, 92
CPC F21S 8/03; F21S 8/04; F21S 8/043; F21S 8/06; F21S 8/061; F21S 8/063; F21V 21/008; F21V 21/02; F21V 29/2212; F21V 29/767; F21V 29/77; F21V 29/777; F21V 29/78
See application file for complete search history.

- 2015/0233569 A1* 8/2015 Xue F21V 29/777 362/373
- 2016/0290603 A1* 10/2016 Morello F21V 13/02
- 2017/0030533 A1* 2/2017 Berkeljon F21K 9/00
- 2017/0146225 A1* 5/2017 Chien F21V 29/77
- 2017/0321874 A1* 11/2017 Bryant F21V 29/777

* cited by examiner

Primary Examiner — Clare E Heflin
(74) *Attorney, Agent, or Firm* — Saul Ewing Arnstein & Lehr LLP

(57) **CLAIM**

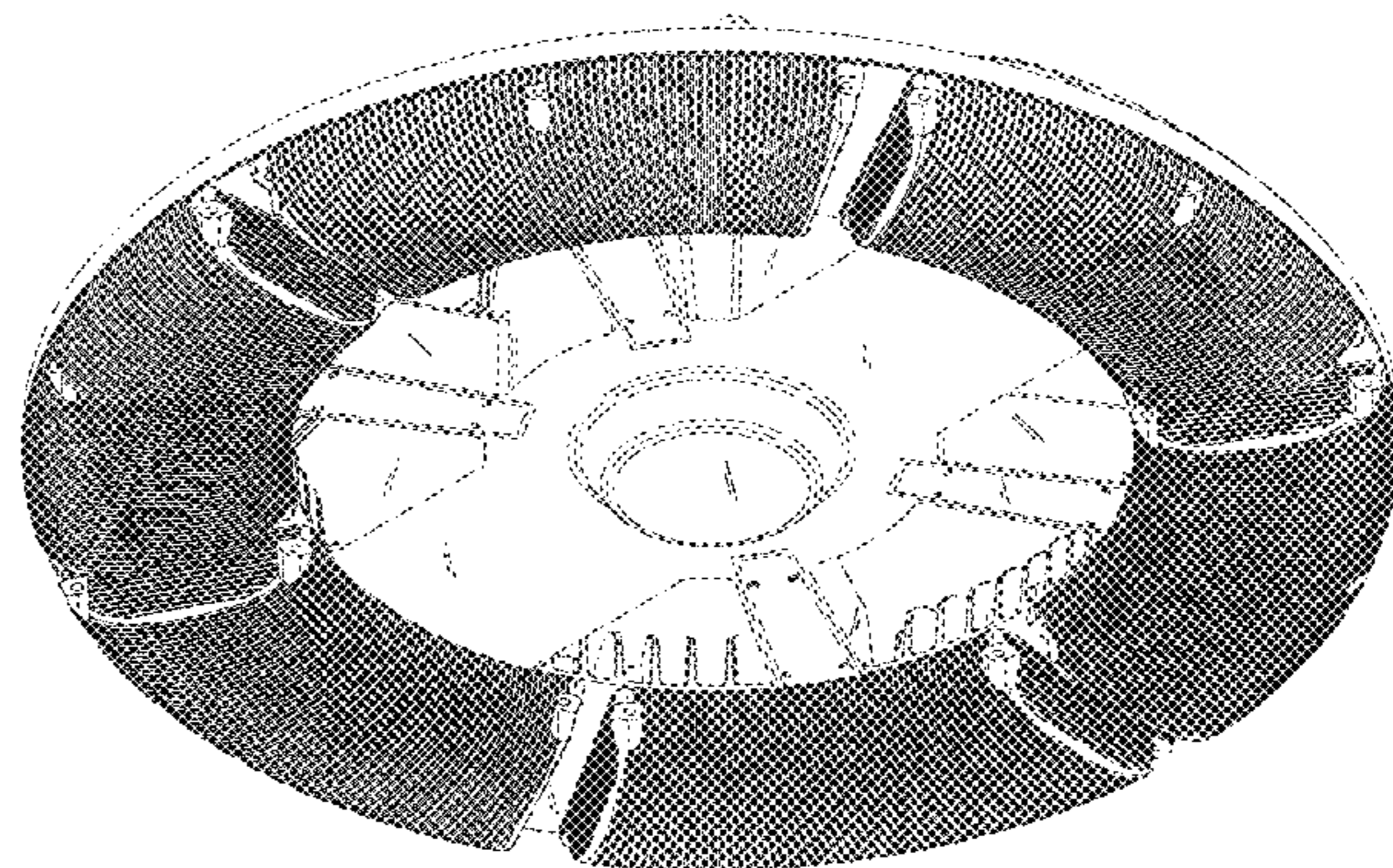
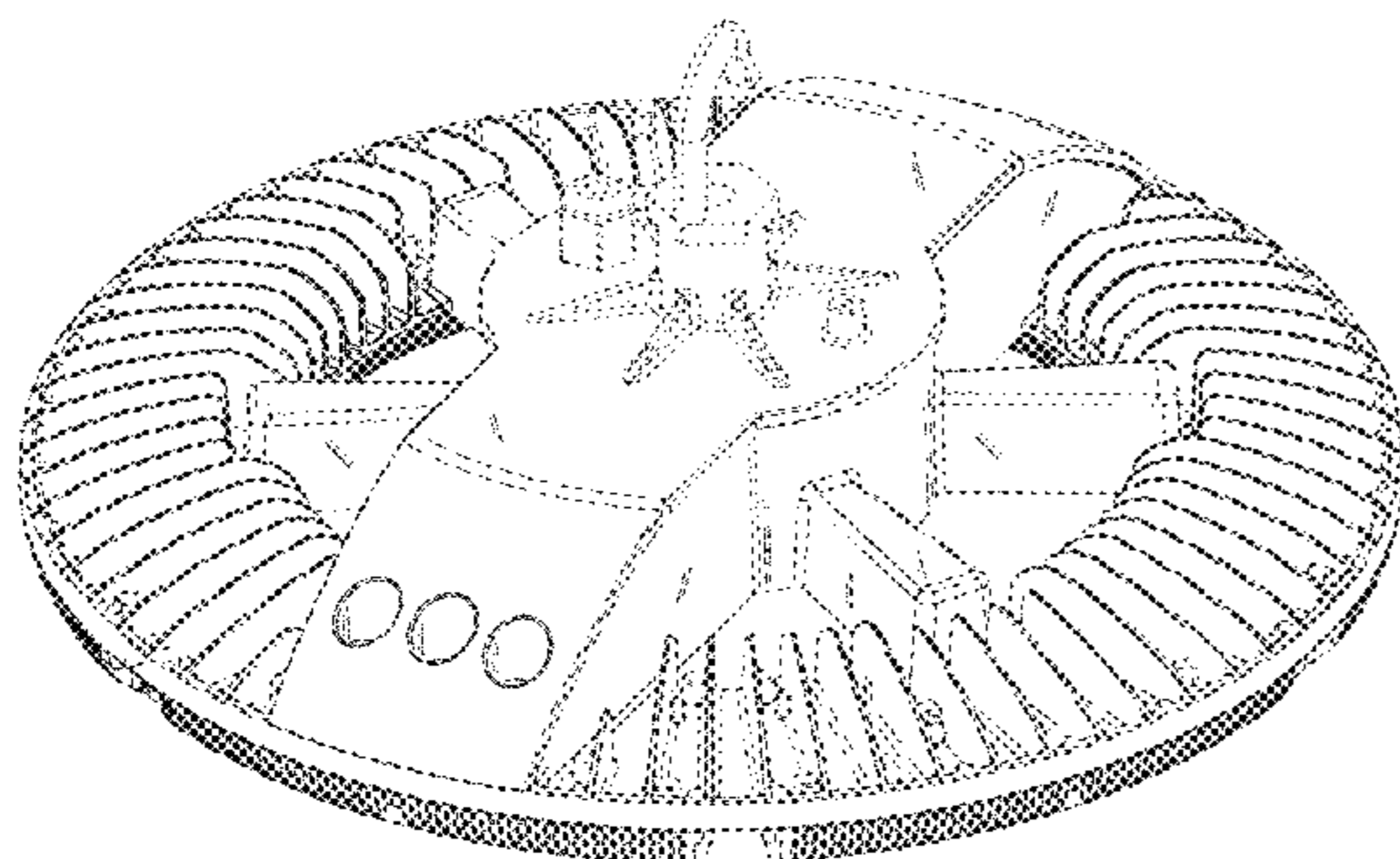
The ornamental design for the LED light fixture, as shown and described.

DESCRIPTION

FIG. 1 is a top perspective view of the LED light fixture showing the new design;
FIG. 2 is a right side view of the LED light fixture of FIG. 1;
FIG. 3 is a left side view of the LED light fixture of FIG. 1;
FIG. 4 is a front view of the LED light fixture of FIG. 1;
FIG. 5 is a rear view of the LED-based lighting apparatus of FIG. 1;
FIG. 6 is a top view of the LED light fixture of FIG. 1; and
FIG. 7 is a top view of the LED light fixture of FIG. 1; and
FIG. 8 is a bottom perspective view of the LED light fixture of FIG. 1.

The broken lines shown on the drawings depict portions of the LED light fixture that form no part of the claimed design.

1 Claim, 8 Drawing Sheets



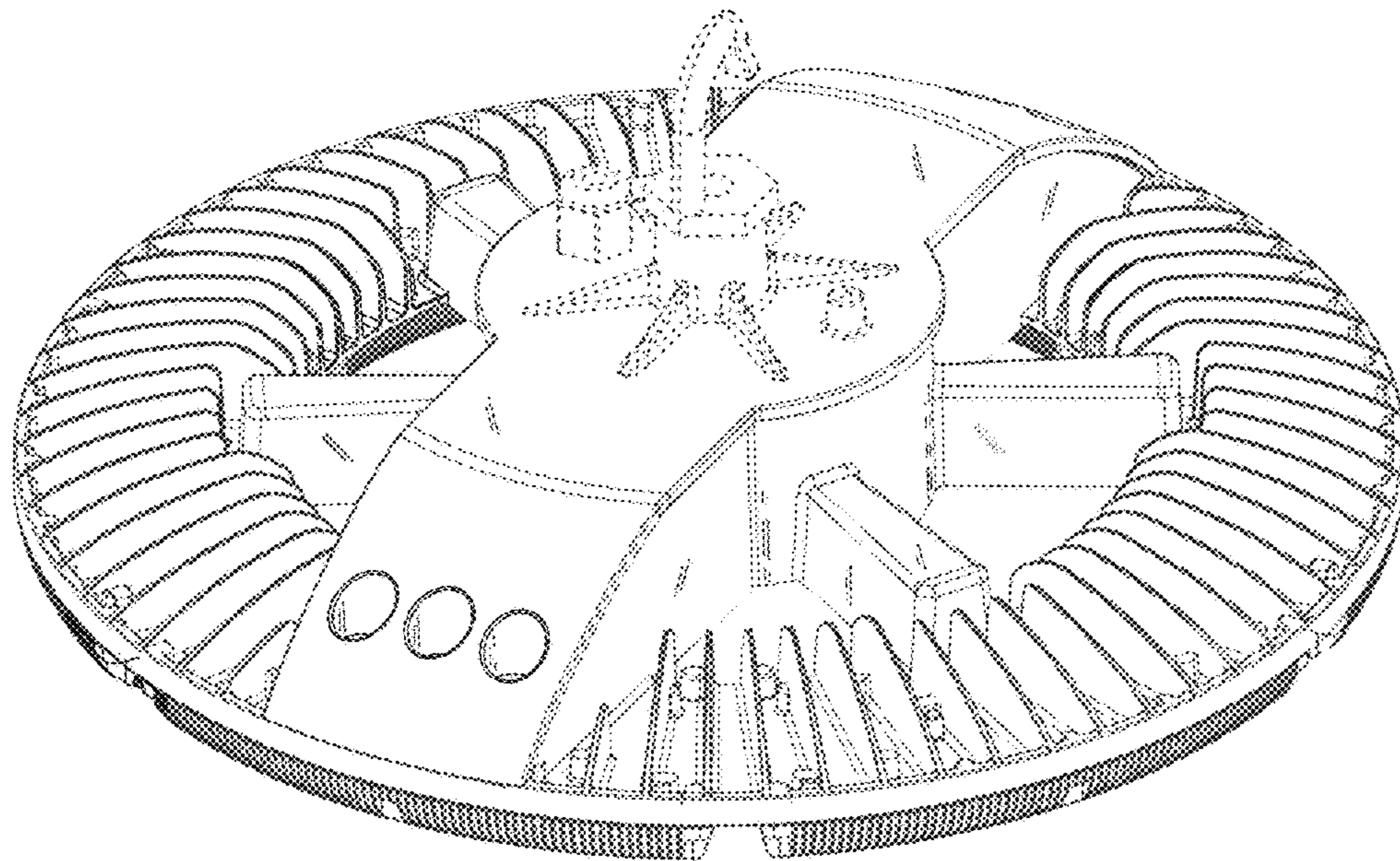


Fig. 1

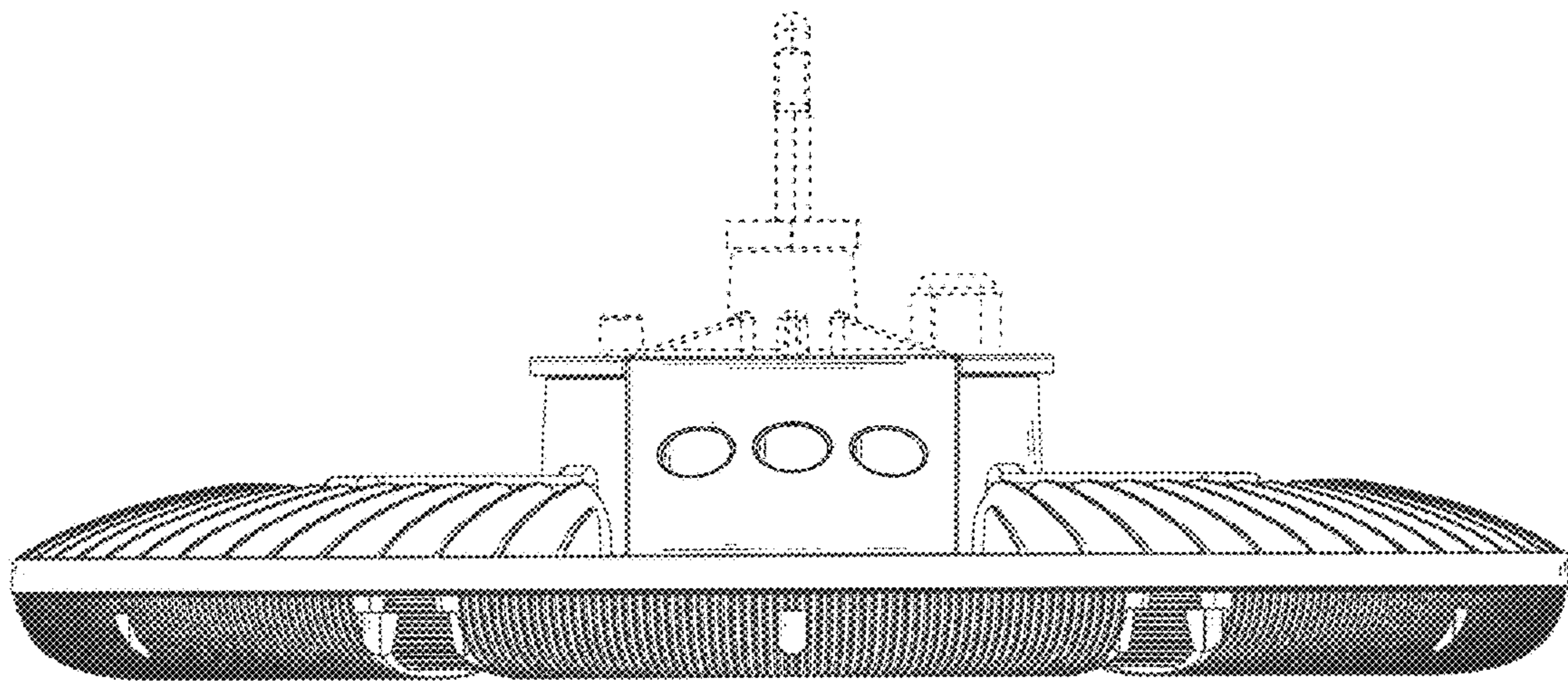


Fig. 2

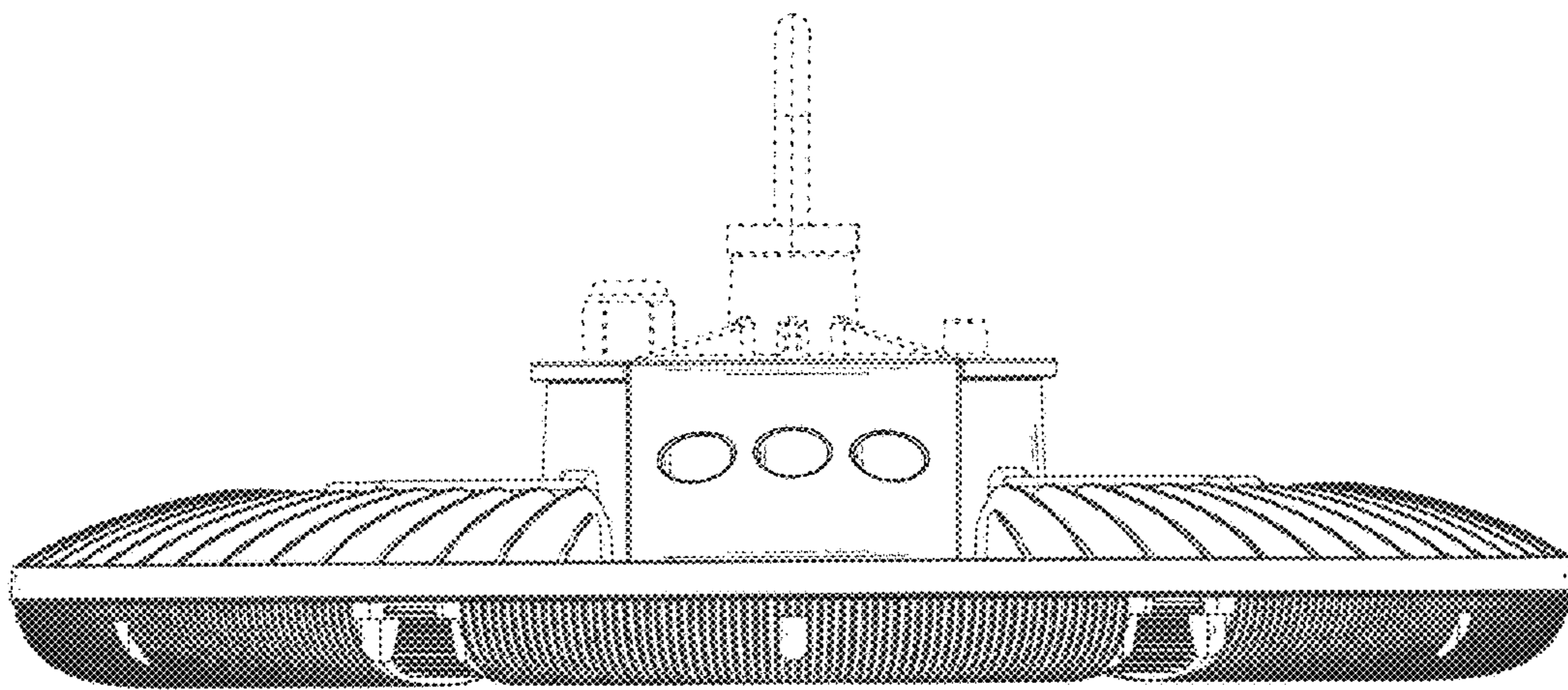


Fig. 3

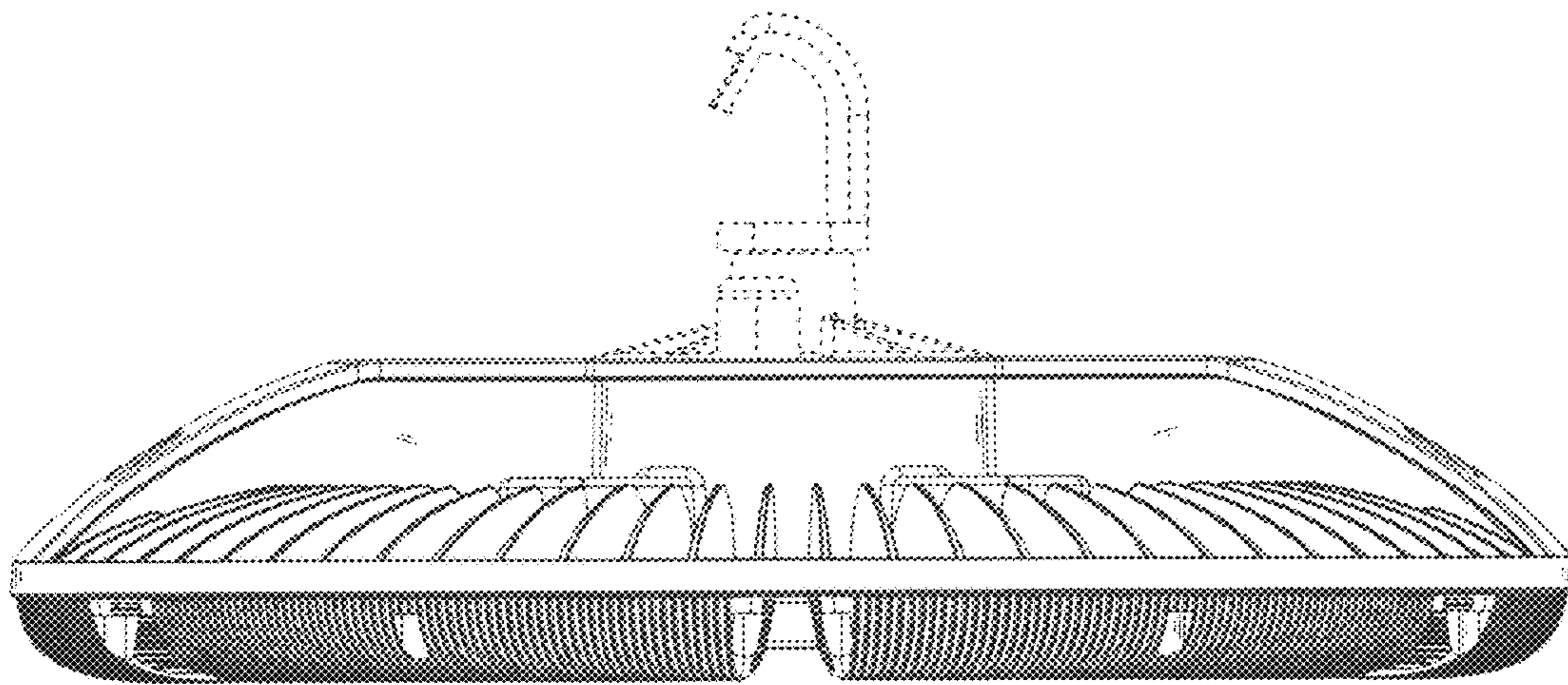


Fig. 4

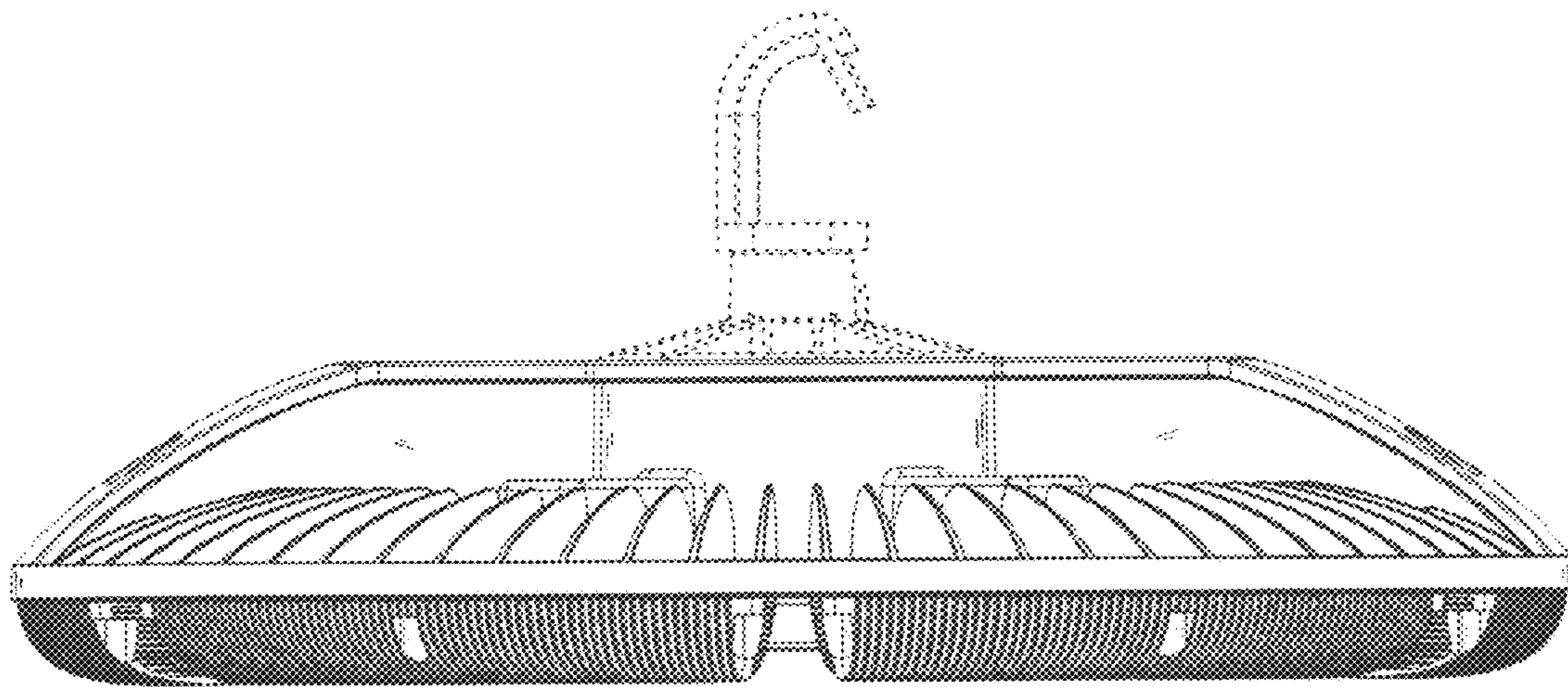


Fig. 5

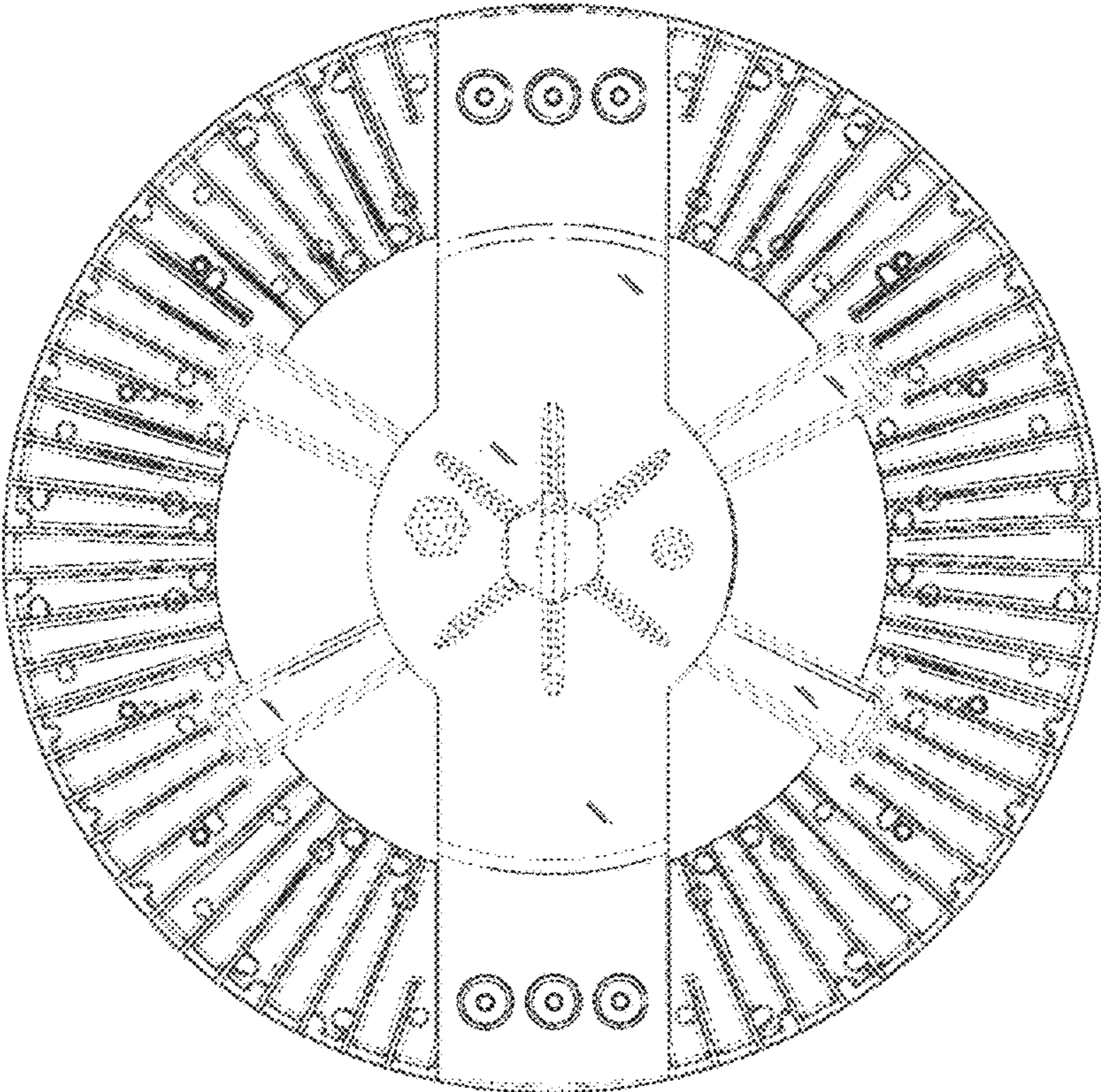


Fig. 6

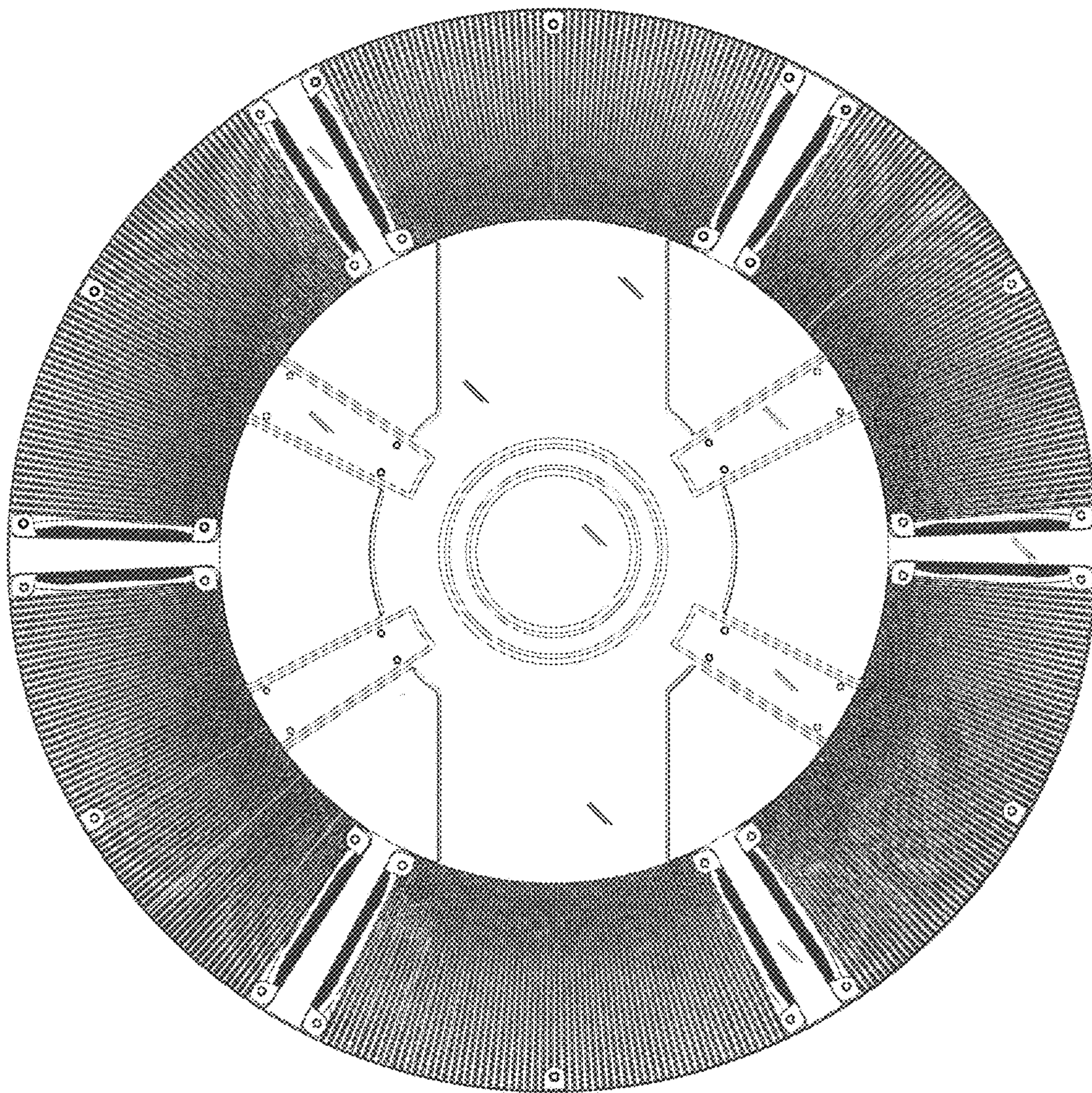


FIG. 7

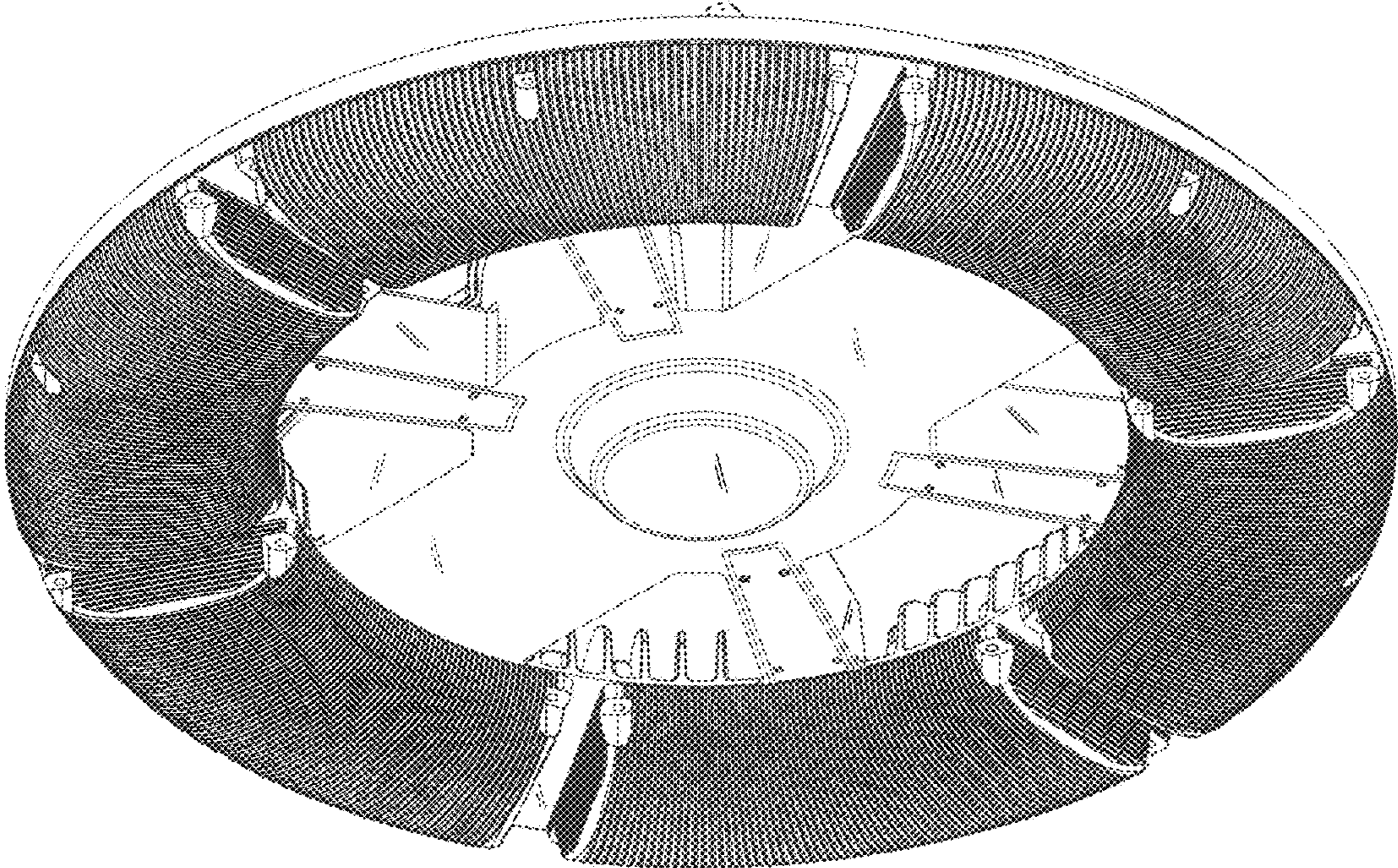


FIG. 8