

US00D842527S

(12) **United States Design Patent**
Liu

(10) **Patent No.:** **US D842,527 S**
(45) **Date of Patent:** **** Mar. 5, 2019**

- (54) **SOLAR LAMP**
- (71) Applicant: **Shenzhen Ennoplus Technology Co., Ltd.**, Shenzhen, Guangdong (CN)
- (72) Inventor: **Hangyu Liu**, Guangdong (CN)
- (73) Assignee: **Shenzhen Ennoplus Technology Co., Ltd.**, Shenzhen (CN)

- (**) Term: **15 Years**
- (21) Appl. No.: **29/655,692**
- (22) Filed: **Jul. 6, 2018**

Related U.S. Application Data

- (63) Continuation-in-part of application No. 29/609,385, filed on Jun. 30, 2017.

(30) **Foreign Application Priority Data**

Apr. 26, 2017 (CN) 2017 3 0146278

- (51) **LOC (11) Cl.** **26-03**
- (52) **U.S. Cl.**
USPC **D26/85; D26/120**

- (58) **Field of Classification Search**
USPC D26/72, 85, 89, 120; D10/106.6, 106.8
CPC F21S 8/03; F21S 8/033; F21S 8/036; F21S 8/037; F21S 9/022; F21S 9/024; F21S 9/03; F21S 9/035; F21S 9/037; F21W 2131/107; G08B 13/193
See application file for complete search history.

(56) **References Cited**

U.S. PATENT DOCUMENTS

- D151,626 S * 11/1948 Kress D26/85
- D189,054 S * 10/1960 Jaffe, Jr. D26/85
- D236,647 S * 9/1975 Stewart D20/42

- 4,015,163 A * 3/1977 Iacobelli F21S 8/033
312/204
- D691,319 S * 10/2013 Guercio D26/85
- D747,532 S * 1/2016 Gough D26/85
- D786,470 S * 5/2017 Largent D26/72
- D796,975 S * 9/2017 Jou D10/106.6
- D816,259 S * 4/2018 Liu D26/85
- D822,874 S * 7/2018 Hu D26/85
- D829,359 S * 9/2018 Zhang D26/85
- 2016/0312989 A1 * 10/2016 Tiwary F21V 21/30
- 2017/0321877 A1 * 11/2017 Polidoro F21S 8/033

OTHER PUBLICATIONS

MPOW Solar Lights Part No. PAMPCD150AB-PT (ASIN: B0798JST3Q). Date first available at amazon.com—Jan. 23, 2018. (Year: 2018).*

* cited by examiner

Primary Examiner — Clare E Heflin

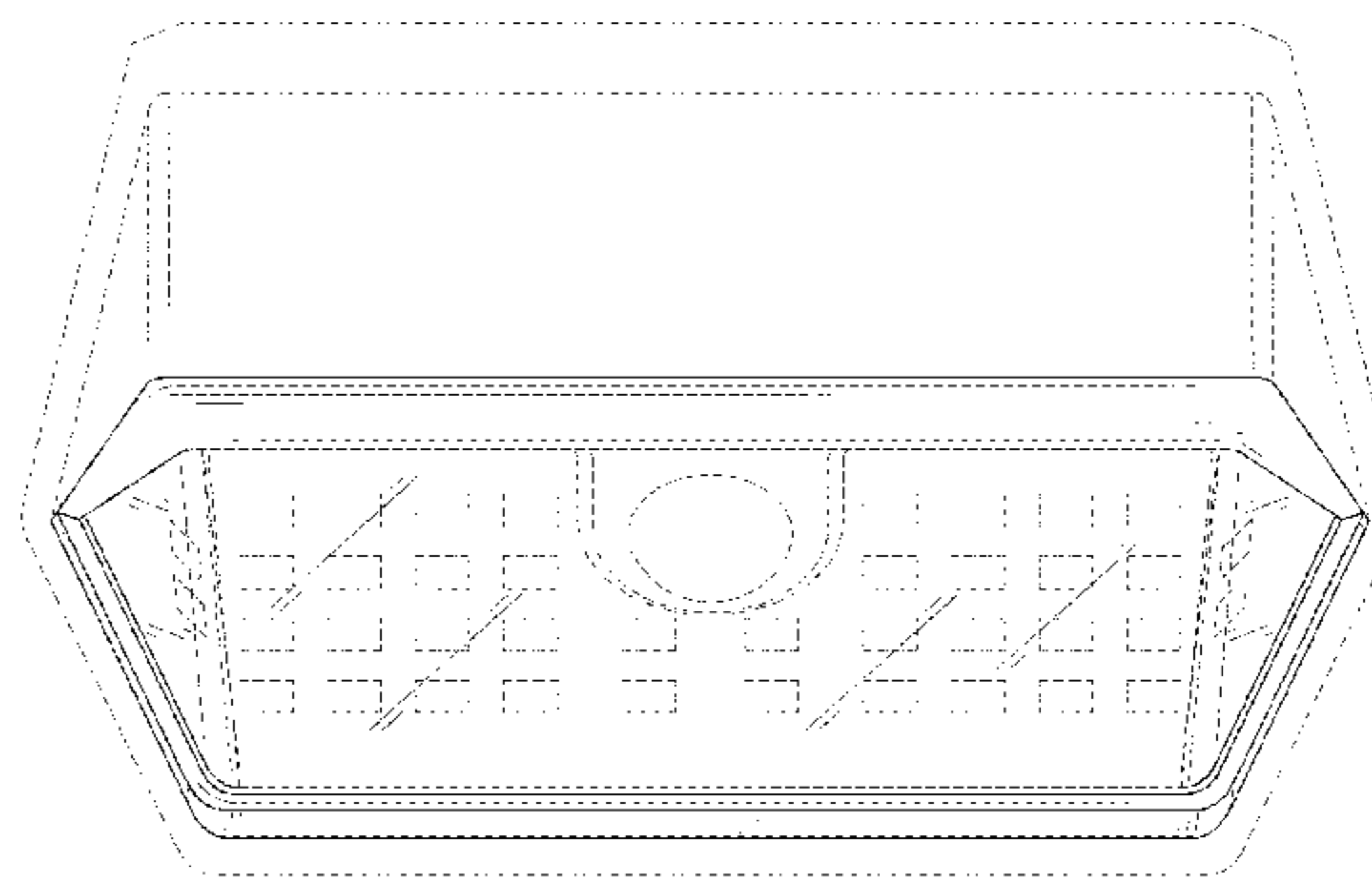
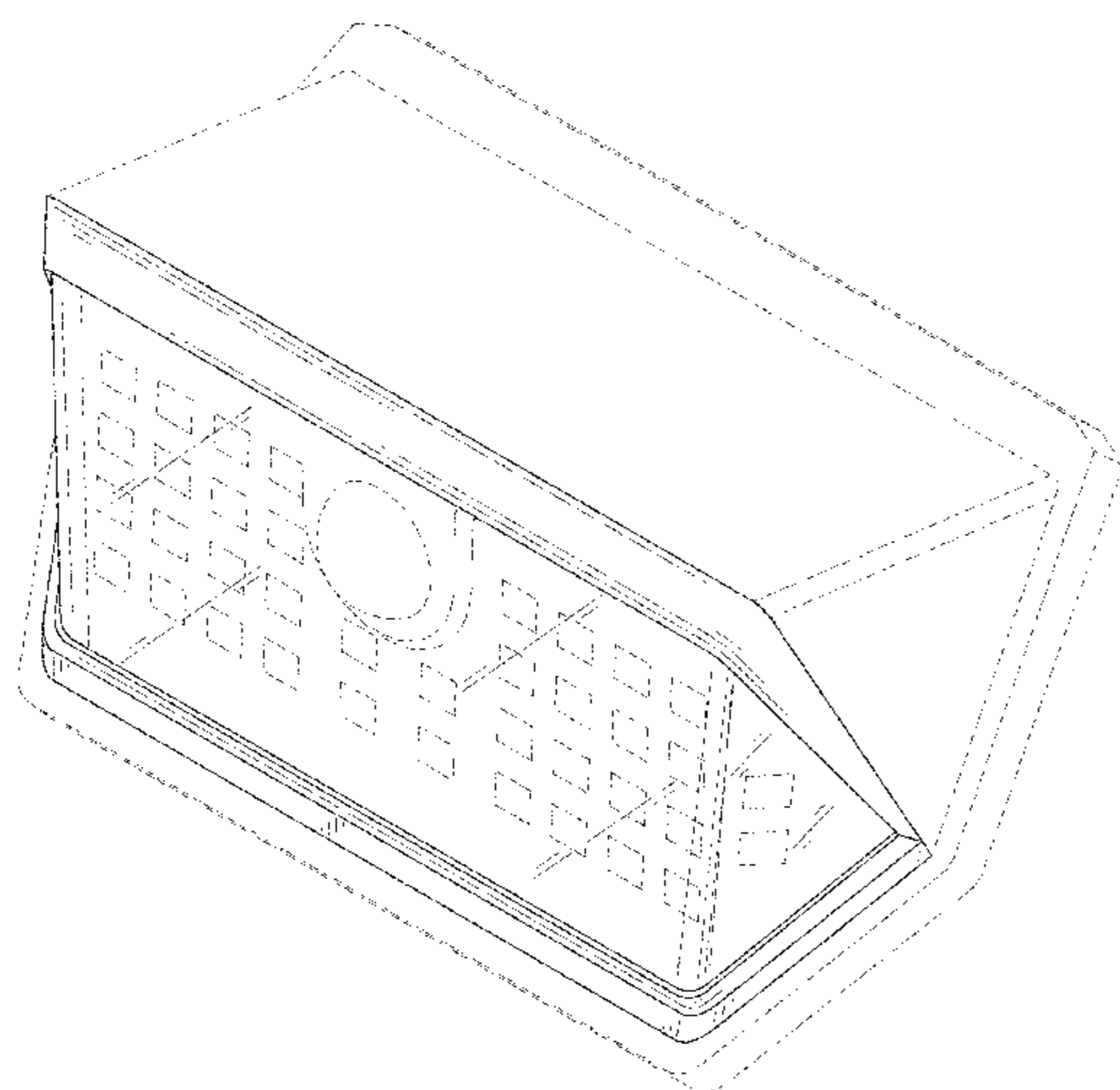
(57) **CLAIM**

The ornamental design for a solar lamp, as shown and described.

DESCRIPTION

FIG. 1 is a front and right side perspective view of a solar lamp showing my new design;
 FIG. 2 is a front elevational view thereof;
 FIG. 3 is a rear elevational view thereof;
 FIG. 4 is a left side view thereof;
 FIG. 5 is a right side view thereof;
 FIG. 6 is a top plan view thereof; and,
 FIG. 7 is a bottom plan view thereof.
 The broken lines in the drawings illustrate portions of the solar lamp which form no part of the claimed design.
 The oblique shade lines in the drawings indicate transparency.

1 Claim, 7 Drawing Sheets



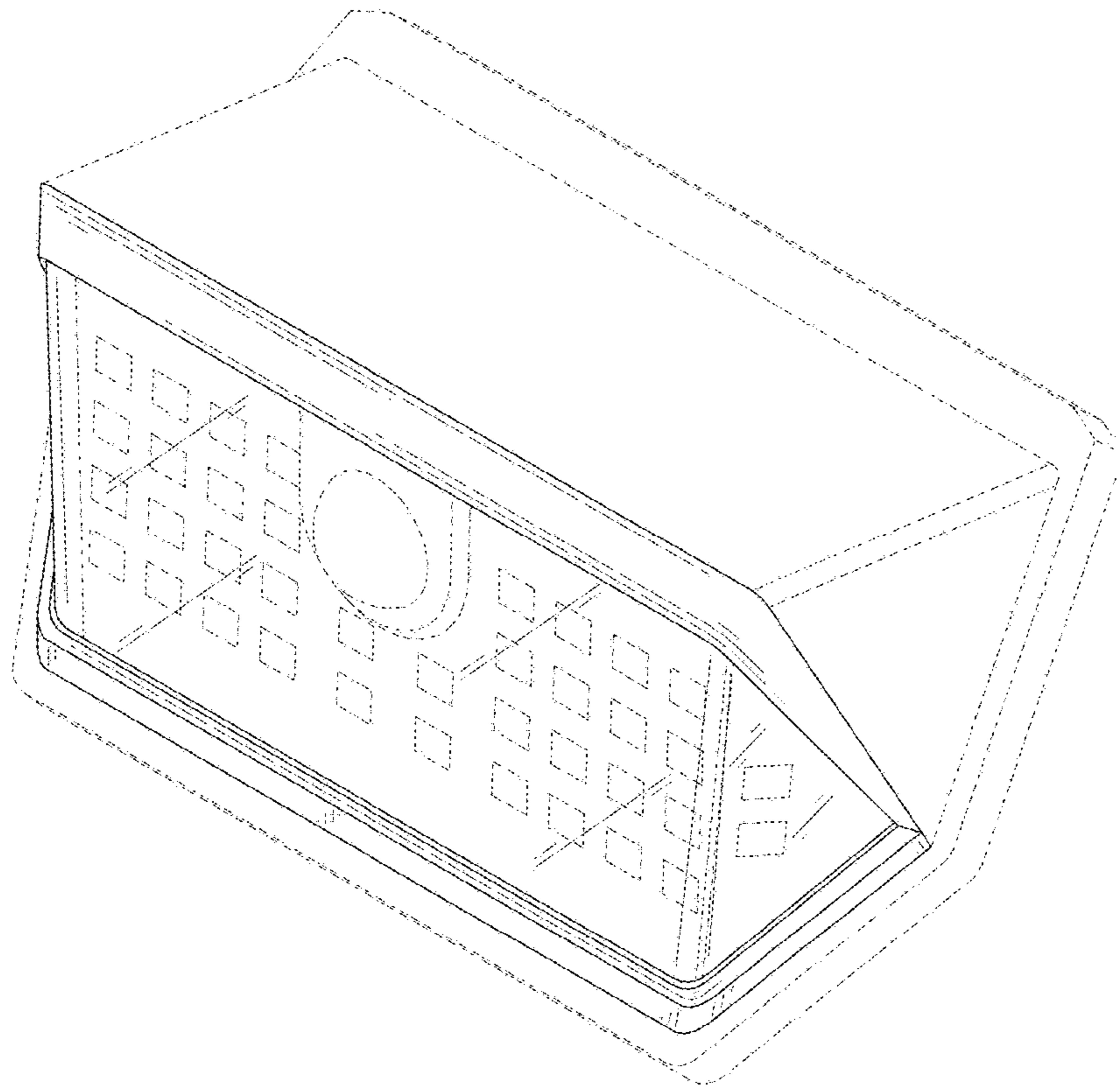


FIG. 1

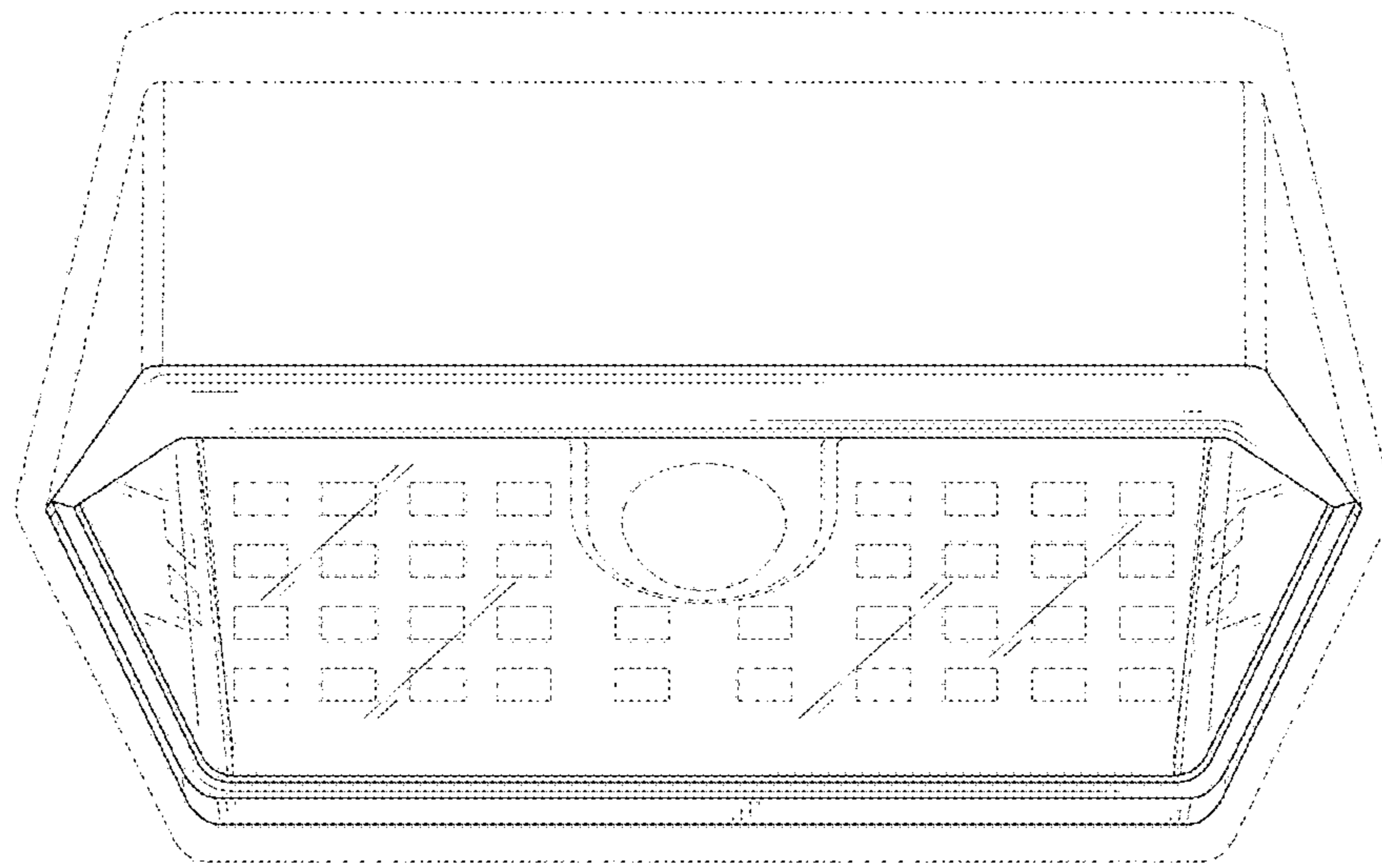


FIG. 2

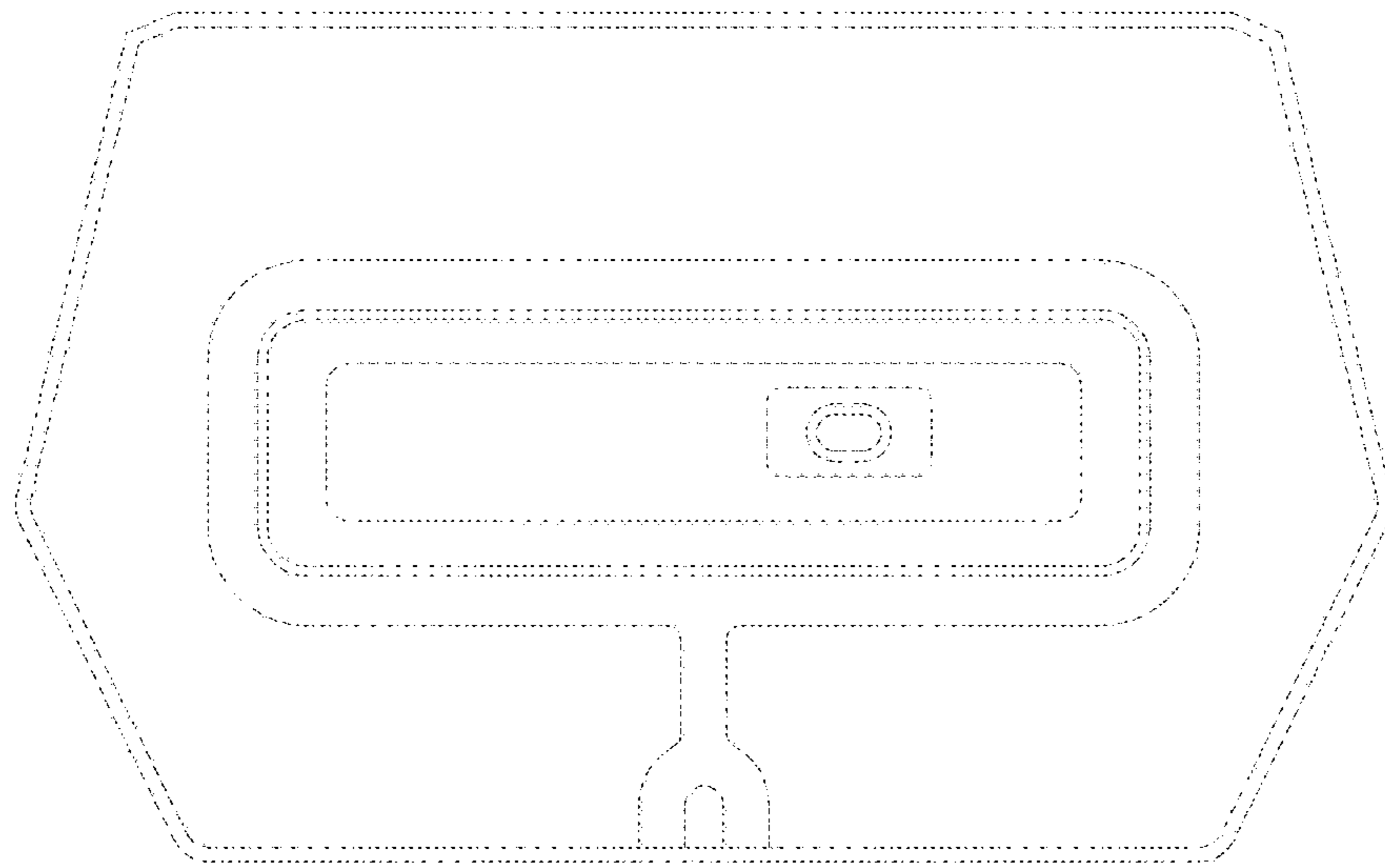


FIG. 3

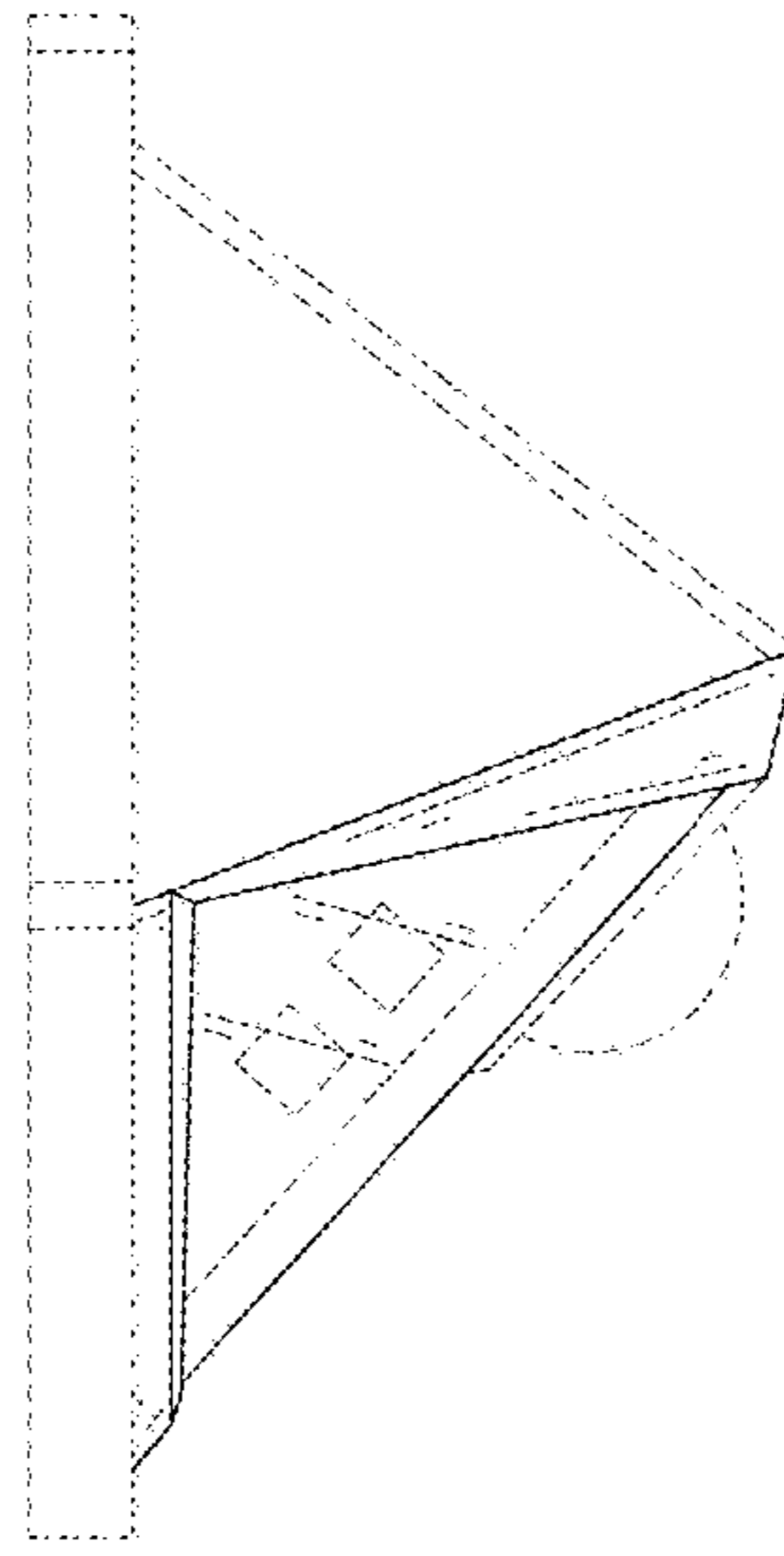


FIG. 4

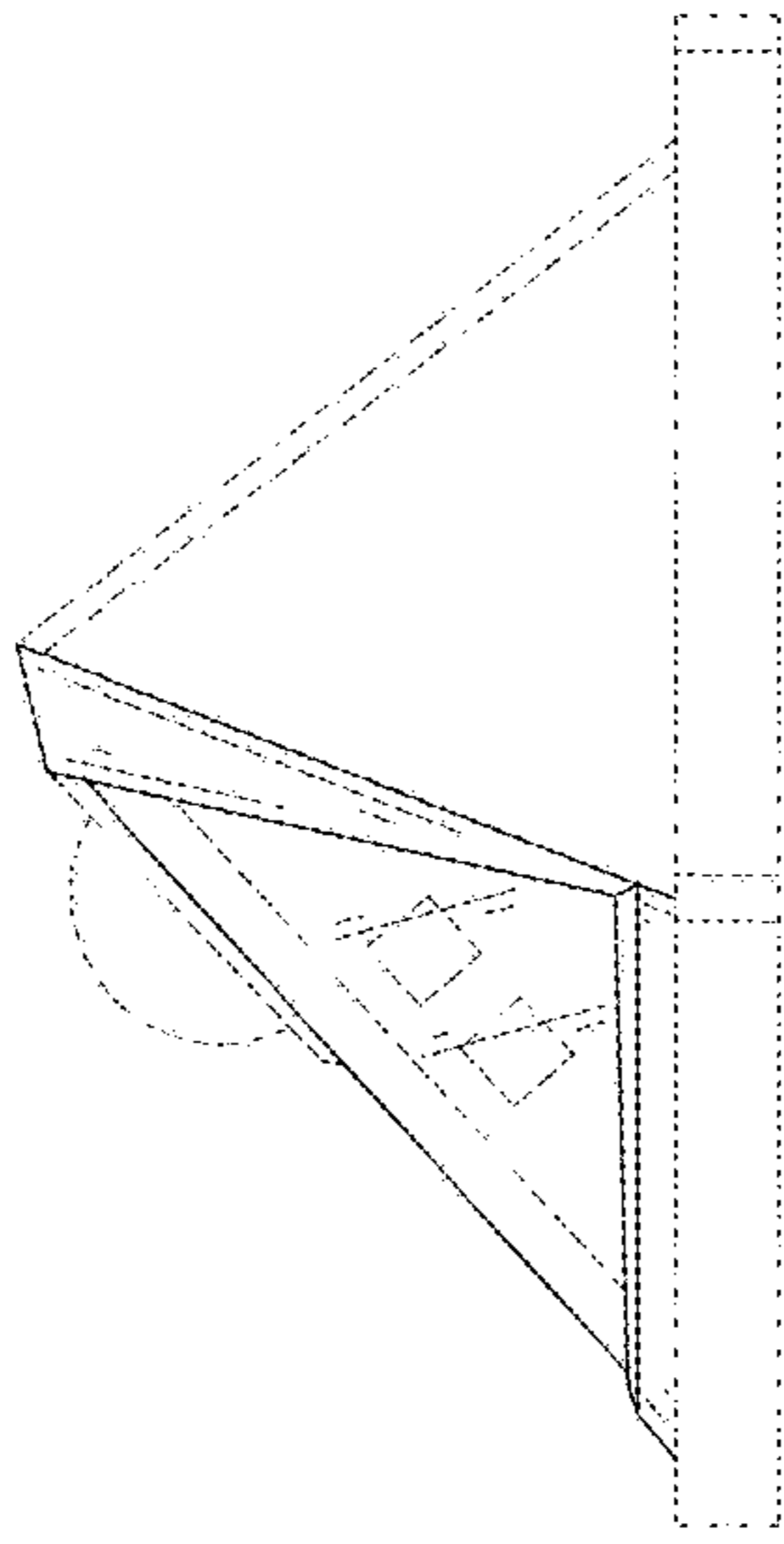


FIG. 5

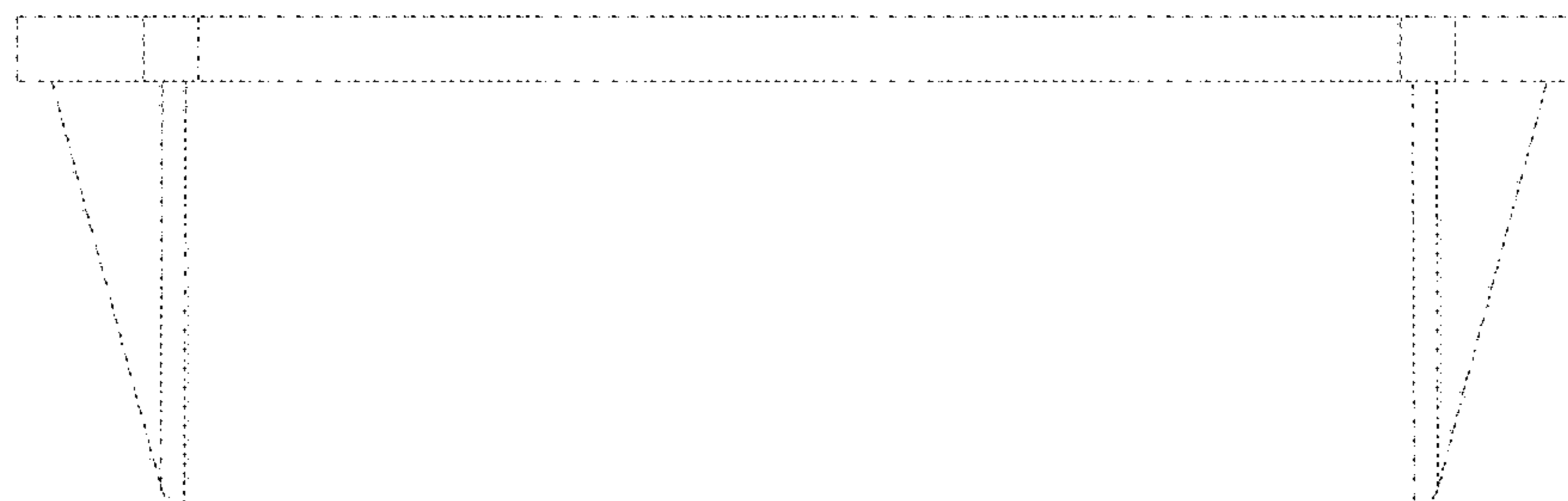


FIG. 6

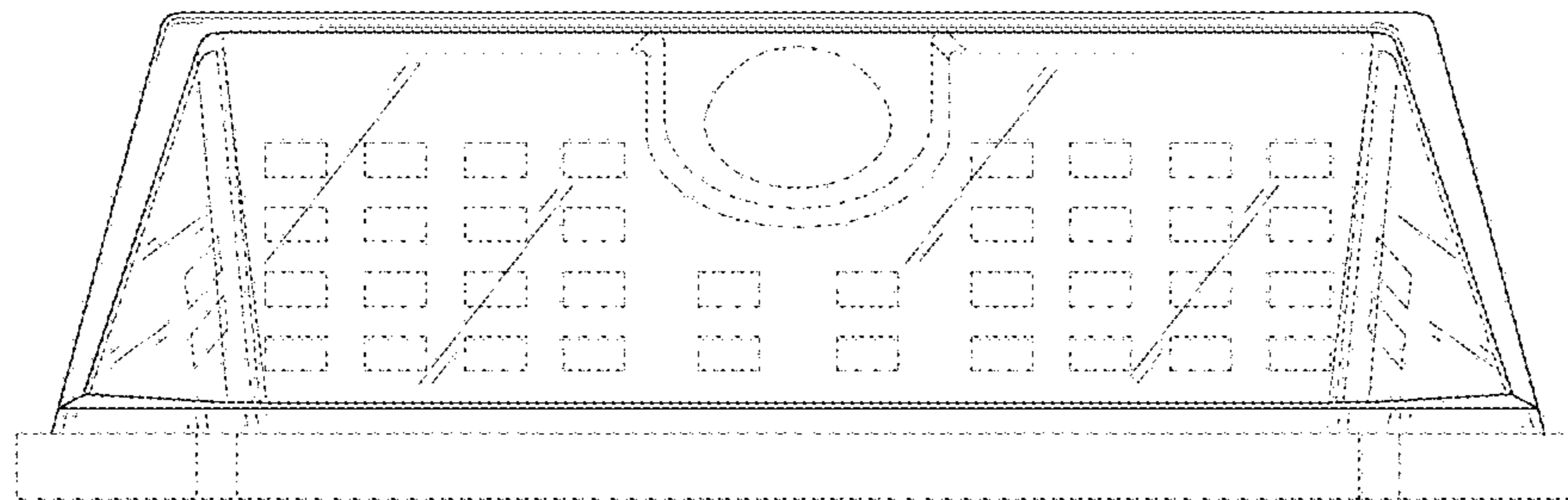


FIG. 7