



US00D842526S

(12) **United States Design Patent**
Zhuo

(10) **Patent No.:** **US D842,526 S**

(45) **Date of Patent:** **** *Mar. 5, 2019**

(54) **SOLAR HUMAN BODY INDUCTION WALL LAMP**

(71) Applicant: **ZHONGSHAN YINGHAO SOLAR TECHNOLOGY CO., LTD,**
Zhongshan (CN)

(72) Inventor: **Qiang Zhuo,** Zhongshan (CN)

(*) Notice: This patent is subject to a terminal disclaimer.

(**) Term: **15 Years**

(21) Appl. No.: **29/565,982**

(22) Filed: **May 26, 2016**

(51) **LOC (11) Cl.** **26-03**

(52) **U.S. Cl.**
USPC **D26/85**

(58) **Field of Classification Search**
USPC D26/67, 72, 85, 87, 92; D10/106.6,
D10/106.8
CPC F21S 8/03; F21S 8/033; F21S 8/036; F21S
8/037; F21S 9/022; F21S 9/024; F21S
9/03; F21S 9/035; F21S 9/037; F21W
2131/107

See application file for complete search history.

(56) **References Cited**

U.S. PATENT DOCUMENTS

D202,803 S * 11/1965 Wince D26/67
D213,391 S * 2/1969 Bruno D26/86
D217,037 S * 3/1970 Weinstock D10/106.6

D236,040 S * 7/1975 Schuette D26/85
D236,647 S * 9/1975 Stewart D26/85
4,027,151 A * 5/1977 Barthel F21V 7/005
359/867
D279,871 S * 7/1985 Guscott D10/106.6
4,939,359 A * 7/1990 Freeman G01V 8/10
250/221
D380,853 S * 7/1997 Johnson D26/128
D465,593 S * 11/2002 Chang D26/72
D527,134 S * 8/2006 Bagen D26/67
D791,994 S * 7/2017 Liu D10/106.8
2009/0034242 A1 * 2/2009 Engel F21S 8/033
362/147
2015/0167936 A1 * 6/2015 Yong F21V 29/83
362/190
2017/0016611 A1 * 1/2017 Hodgson F21V 31/005

* cited by examiner

Primary Examiner — Clare E Heflin

(74) *Attorney, Agent, or Firm* — Wayne & Ken, LLC;
Tony Hom

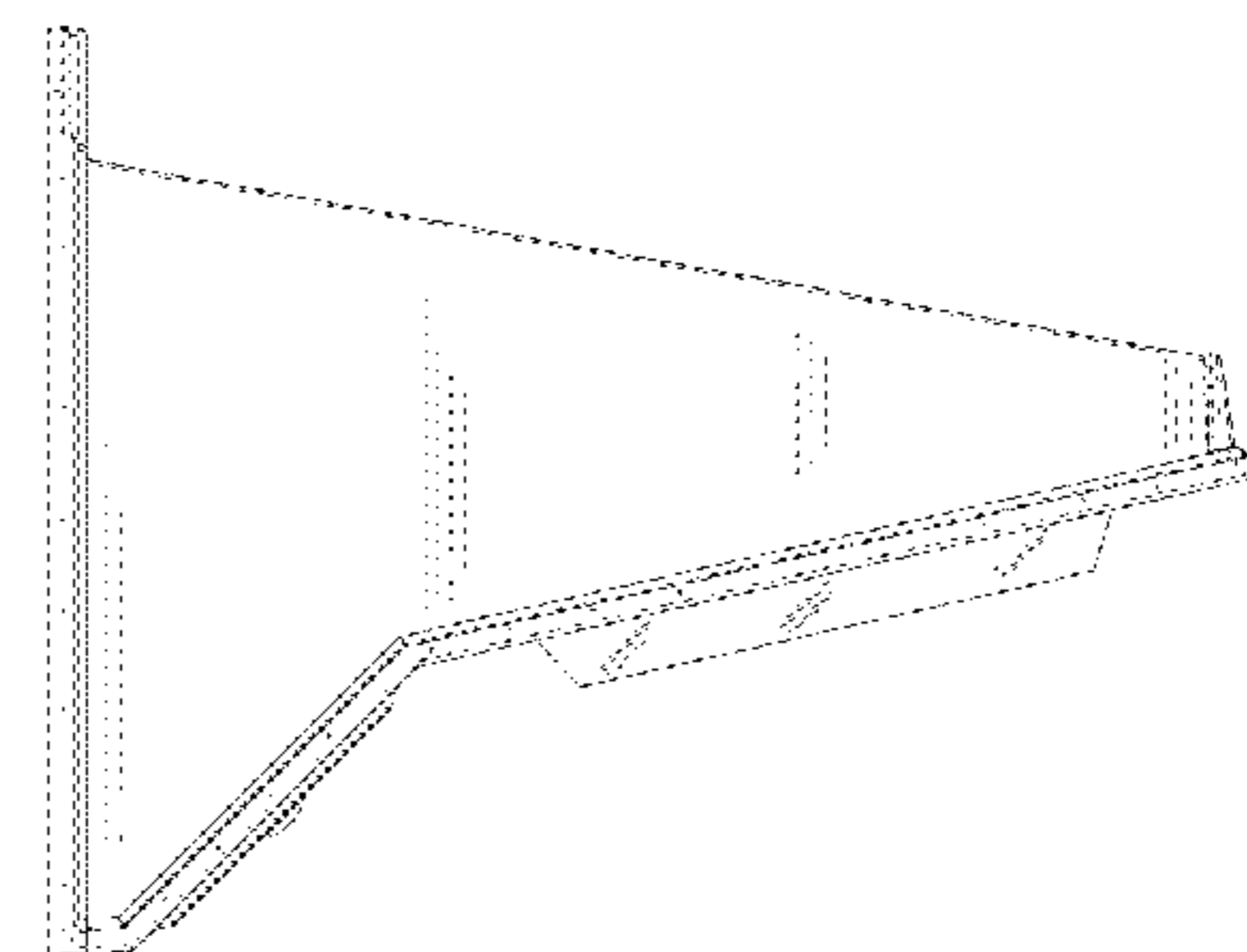
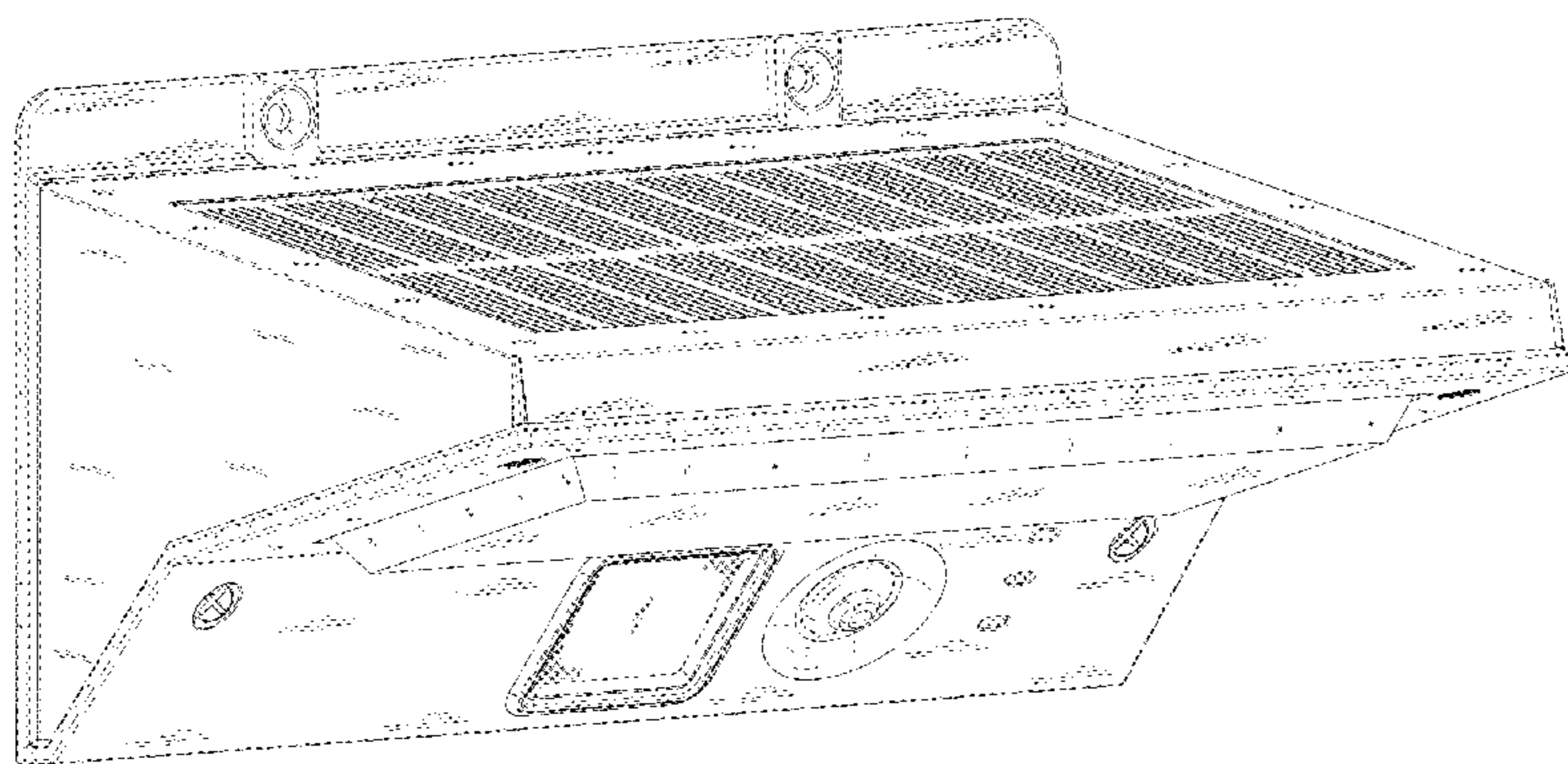
(57) **CLAIM**

The ornamental design for the solar human body induction wall lamp, as shown and described.

DESCRIPTION

FIG. 1 is perspective view showing the design;
FIG. 2 is front view showing the design;
FIG. 3 is a back view showing the design;
FIG. 4 is a top view showing the design;
FIG. 5 is a bottom view showing the design;
FIG. 6 is a left view showing the design; and,
FIG. 7 is a right view showing the design.

1 Claim, 7 Drawing Sheets



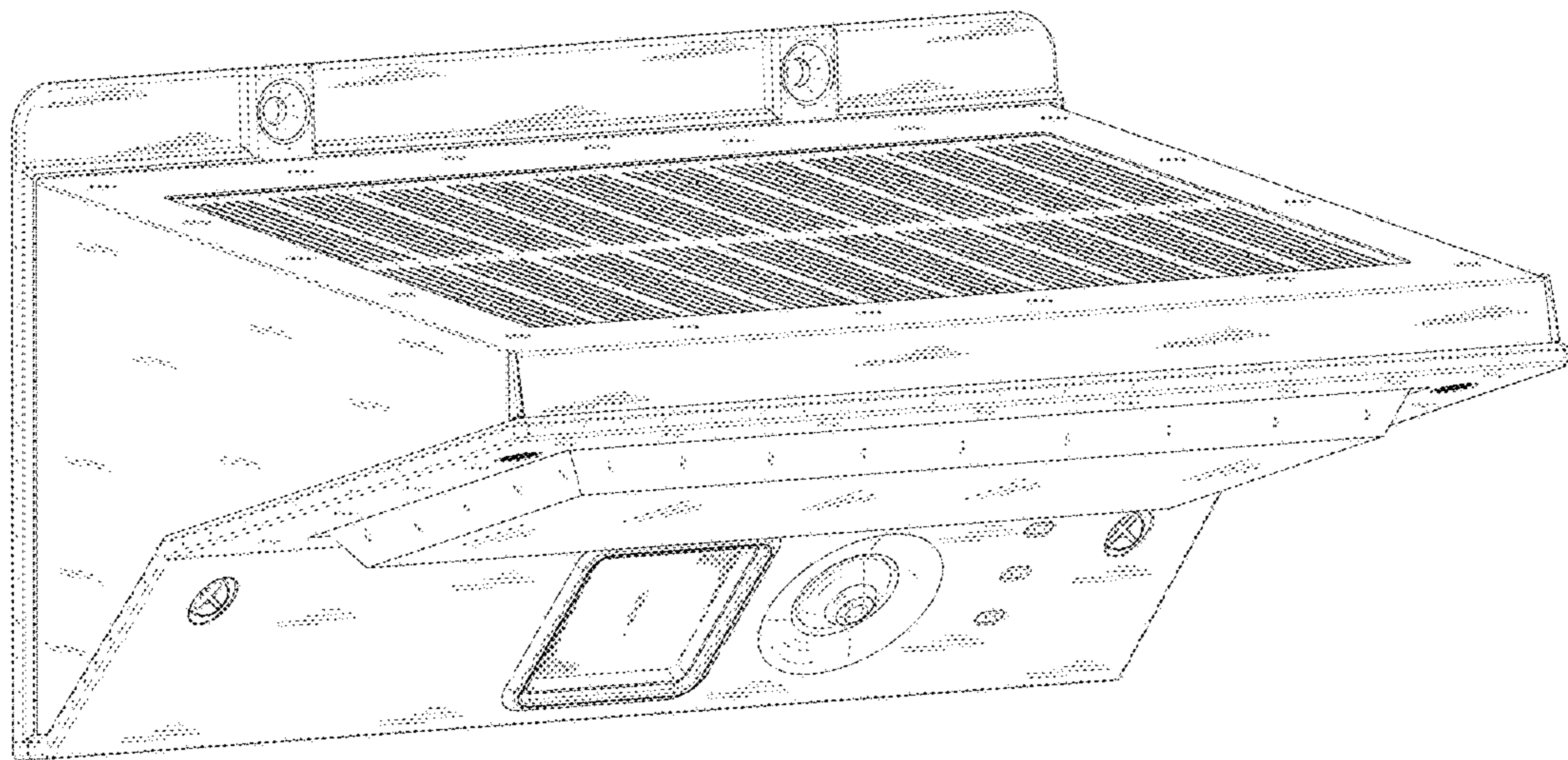


Fig.1

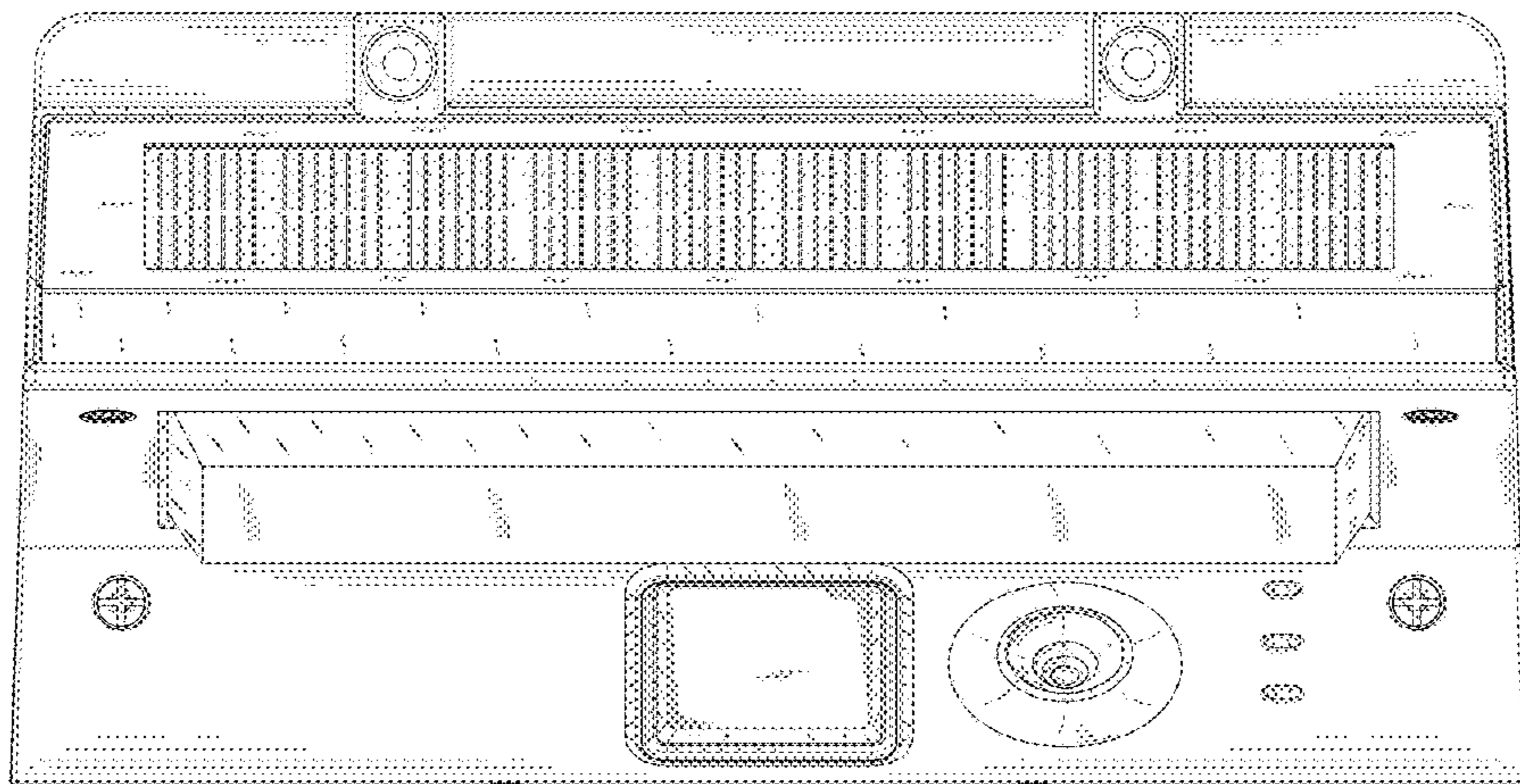


Fig.2

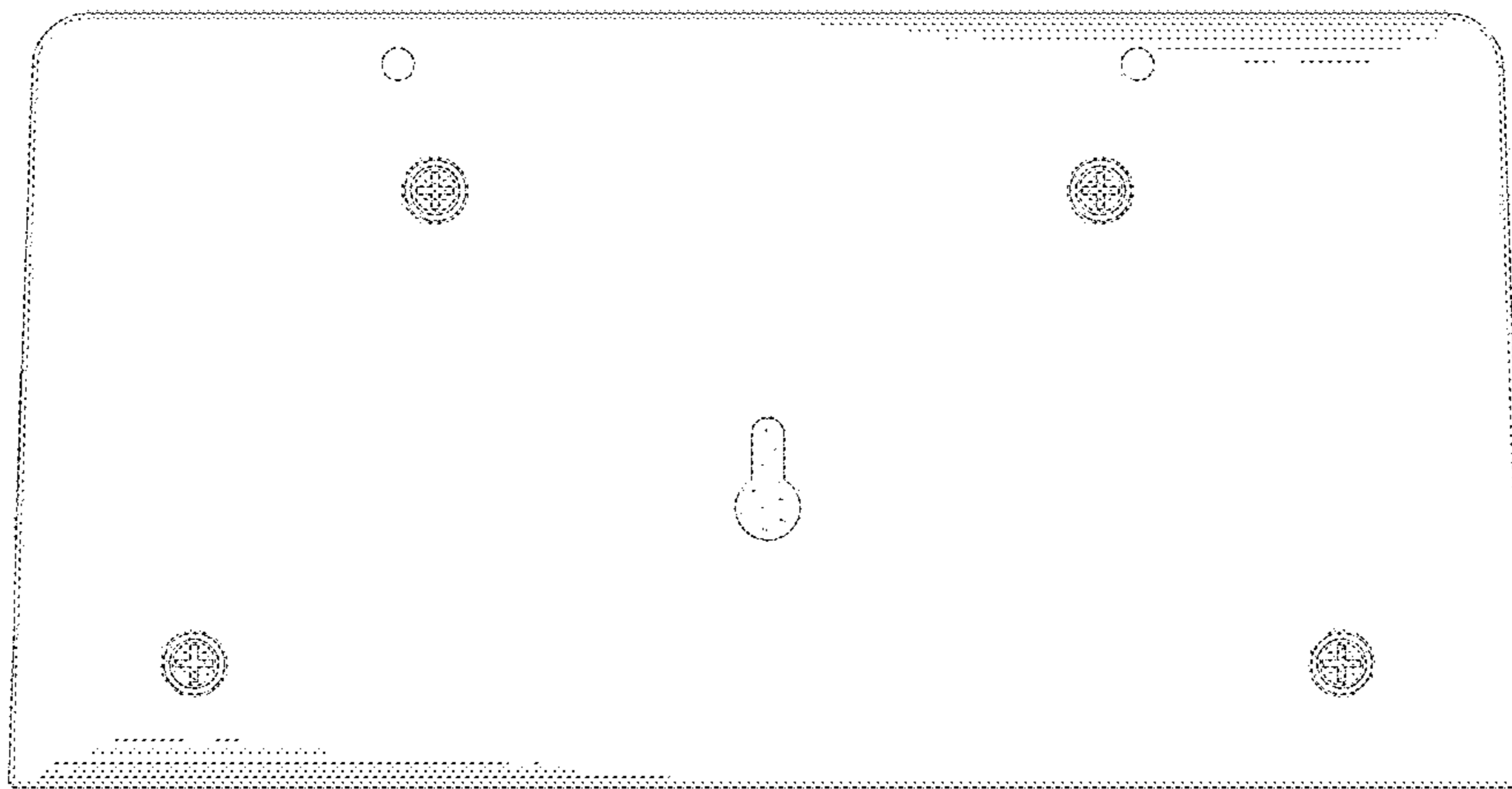


Fig.3

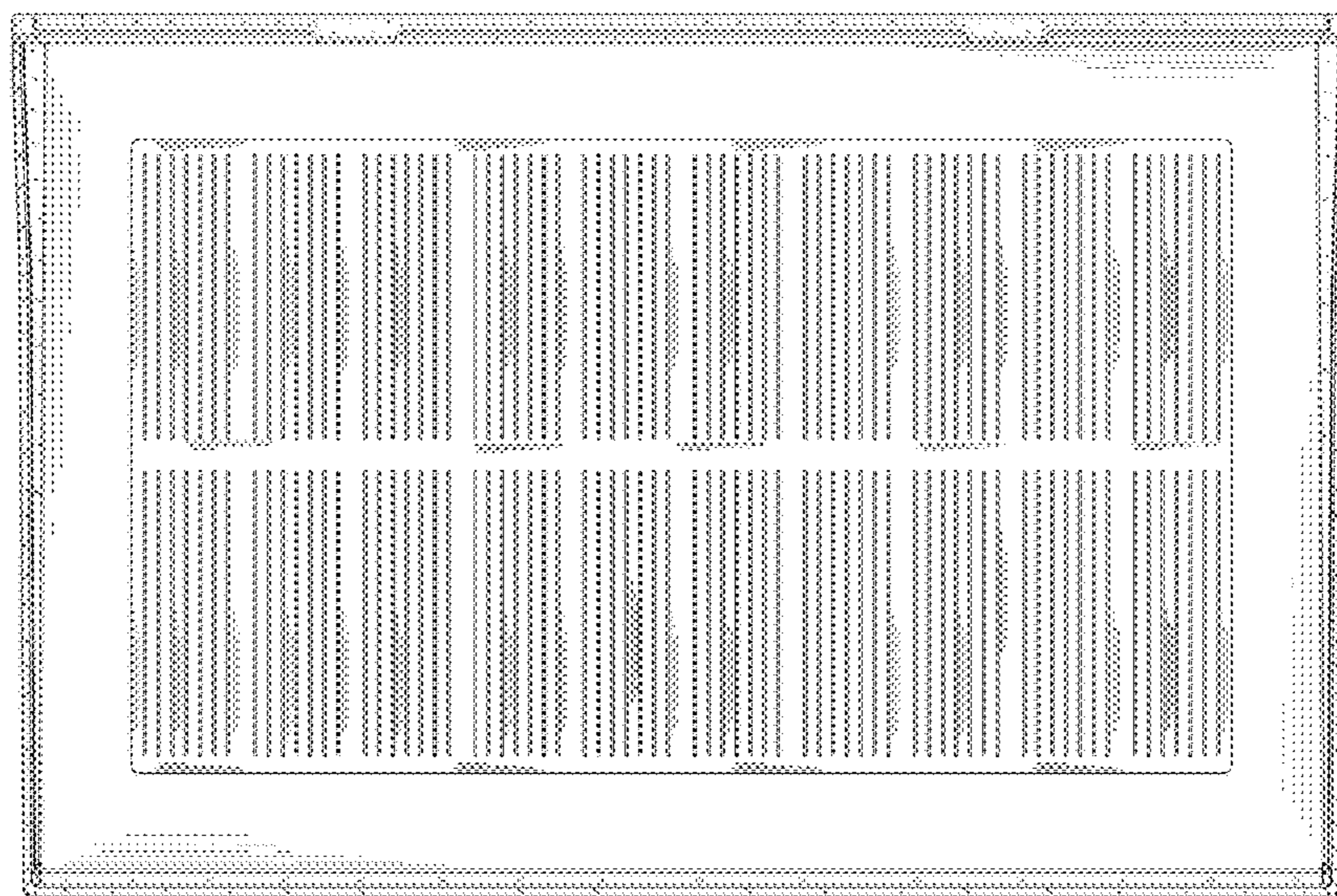


Fig.4

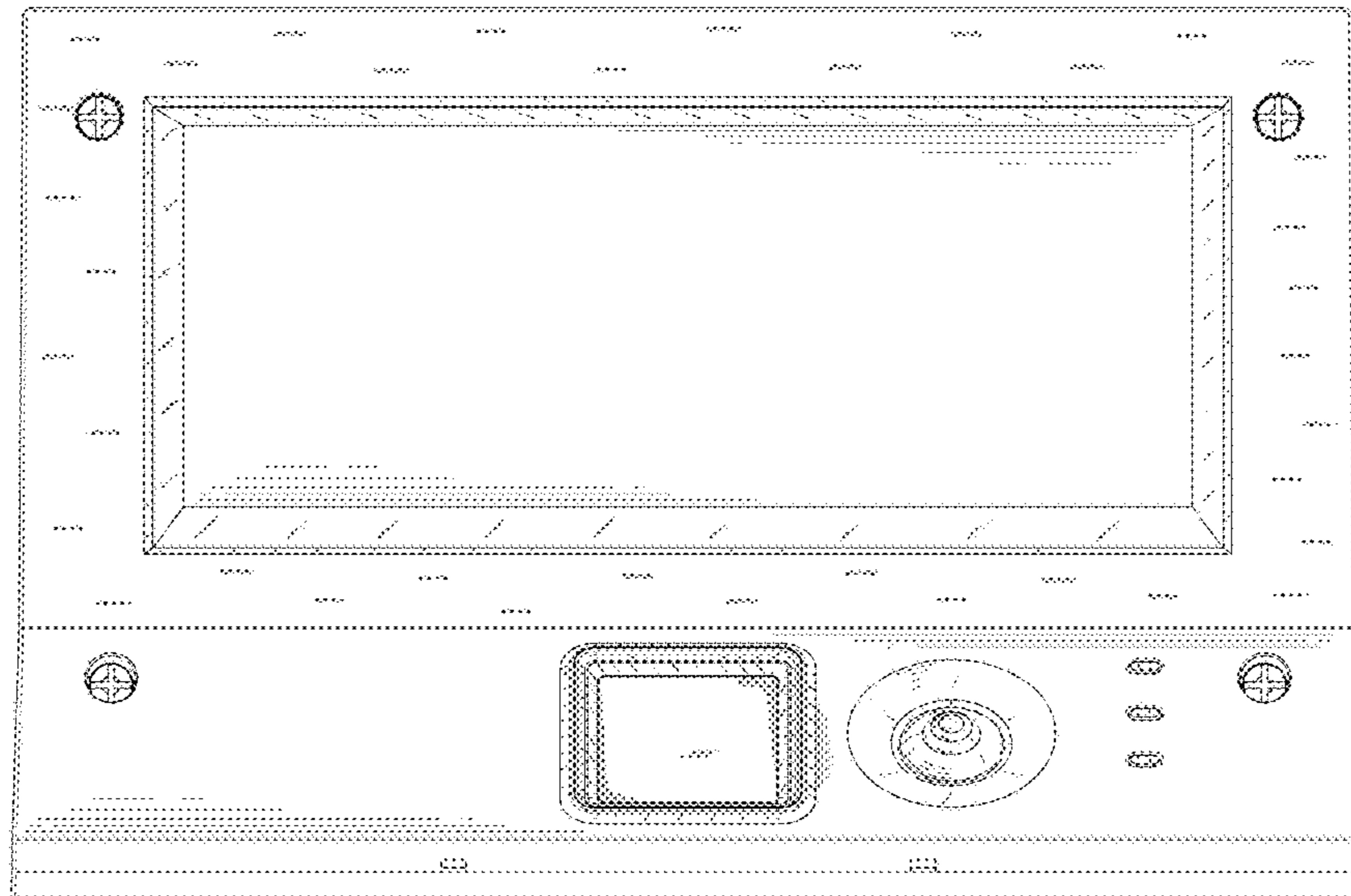


Fig.5

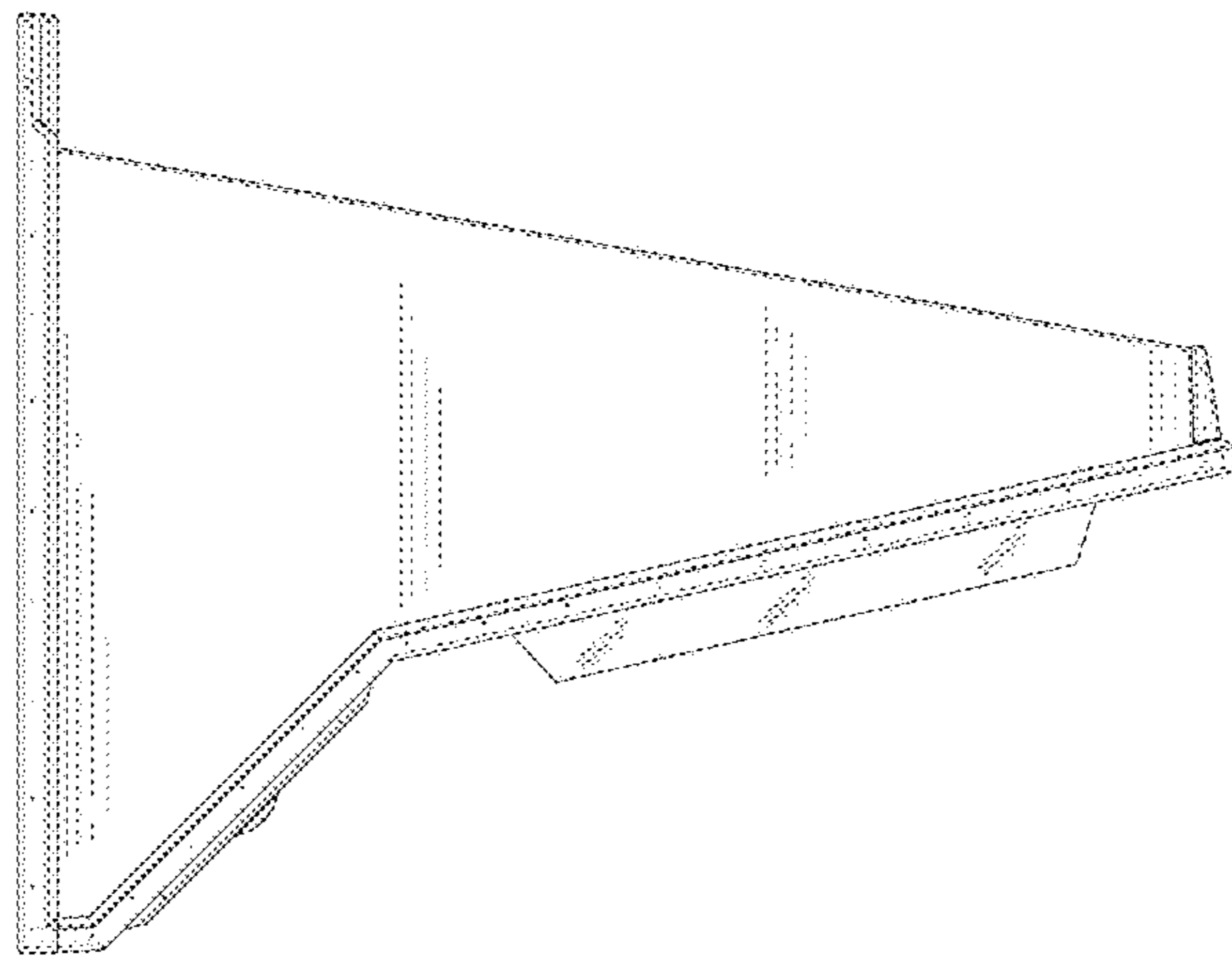


Fig.6

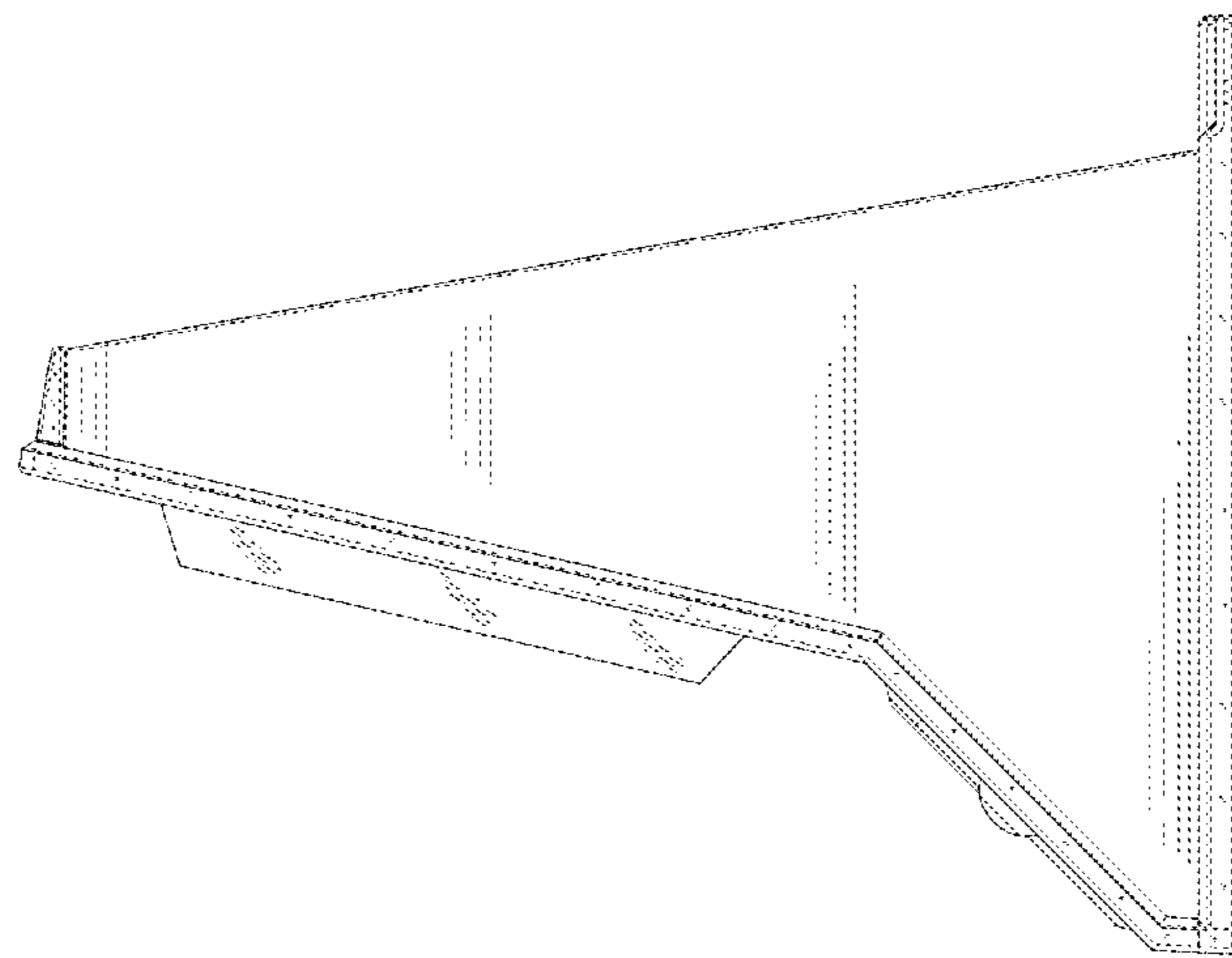


Fig.7