

US00D842525S

(12) **United States Design Patent**
Yifan et al.

(10) **Patent No.:** **US D842,525 S**

(45) **Date of Patent:** **** Mar. 5, 2019**

(54) **LIGHT FIXTURE**

(71) Applicant: **ABL IP Holding LLC**, Decatur, GA
(US)

(72) Inventors: **Zhou Yifan**, Shanghai (CN); **Philip Sieczkowski**, Lawrenceville, GA (US)

(73) Assignee: **ABL IP Holding LLC**, Atlanta, GA
(US)

(**) Term: **15 Years**

(21) Appl. No.: **29/594,907**

(22) Filed: **Feb. 23, 2017**

(51) **LOC (11) Cl.** **26-04**

(52) **U.S. Cl.**
USPC **D26/76**

(58) **Field of Classification Search**
USPC ... D26/3, 37, 67, 71, 72, 75, 78, 79, 80, 81,
D26/82, 83, 85, 86, 88, 90, 113, 118
CPC F21S 8/06; F21S 8/031; F21S 4/00; F21Y
2101/00
See application file for complete search history.

(56) **References Cited**

U.S. PATENT DOCUMENTS

D110,198 S *	6/1938	Stewart	D26/76
D569,026 S *	5/2008	Silver	D26/76
D604,447 S *	11/2009	Klaus	D26/76
D616,138 S *	5/2010	Lasthein	D26/76
D621,086 S *	8/2010	Purcell	D26/76
D632,823 S *	2/2011	Kong	D26/76
D645,194 S *	9/2011	Budike, Jr.	D26/76
D696,810 S *	12/2013	Ni	D26/76
D757,324 S *	5/2016	Rodgers	D26/76
D805,234 S *	12/2017	Ross	D26/76

2011/0310604 A1* 12/2011 Shimizu F21V 3/0445
362/235
2013/0155670 A1* 6/2013 Handsaker F21V 13/02
362/223
2013/0279182 A1* 10/2013 Ivo F21K 9/00
362/382

* cited by examiner

Primary Examiner — John Windmuller

Assistant Examiner — Benjamin M Weeks

(74) *Attorney, Agent, or Firm* — Kilpatrick Townsend &
Stockton LLP

(57) **CLAIM**

The ornamental design for a light fixture, as shown and described.

DESCRIPTION

FIG. 1 is a top perspective view of the light fixture.
FIG. 2 is a bottom perspective view of the light fixture of FIG. 1.

FIG. 3 is a top plan view of the light fixture of FIG. 1.
FIG. 4 is a bottom plan view of the light fixture of FIG. 1.
FIG. 5 is right side elevation view of the light fixture of FIG. 1.

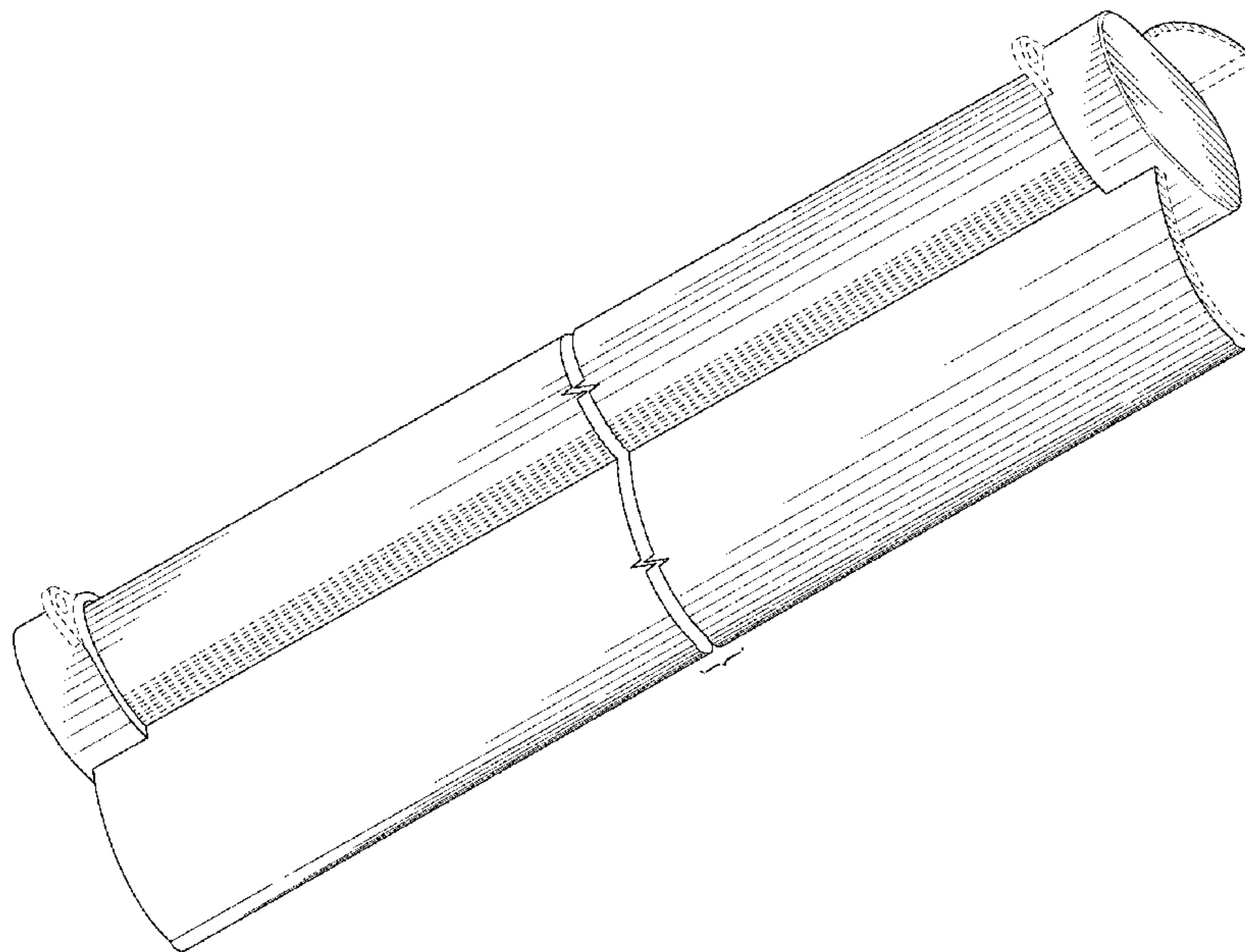
FIG. 6 is a left side elevation view of the light fixture of FIG. 1.

FIG. 7 is a front end elevation view of the light fixture of FIG. 1; and,

FIG. 8 is a back end elevation view of the light fixture of FIG. 1.

The broken lines in the drawings, including the evenly dotted broken lines representing the underside surface of the wings, illustrate unclaimed features of the light fixture and form no part of the claimed design. The appearance of any portion of the light fixture between the break forms no part of the claimed design.

1 Claim, 4 Drawing Sheets



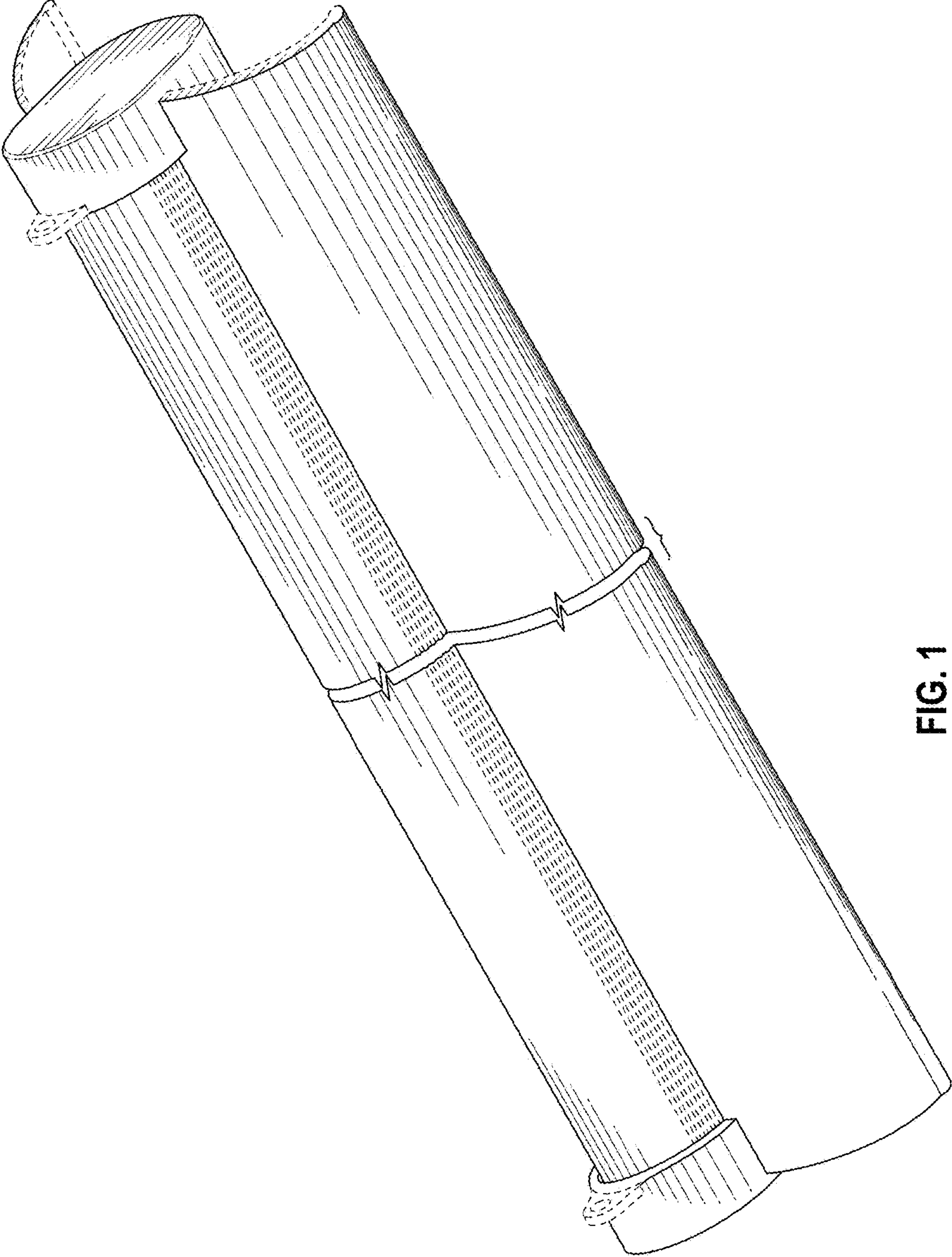


FIG. 1

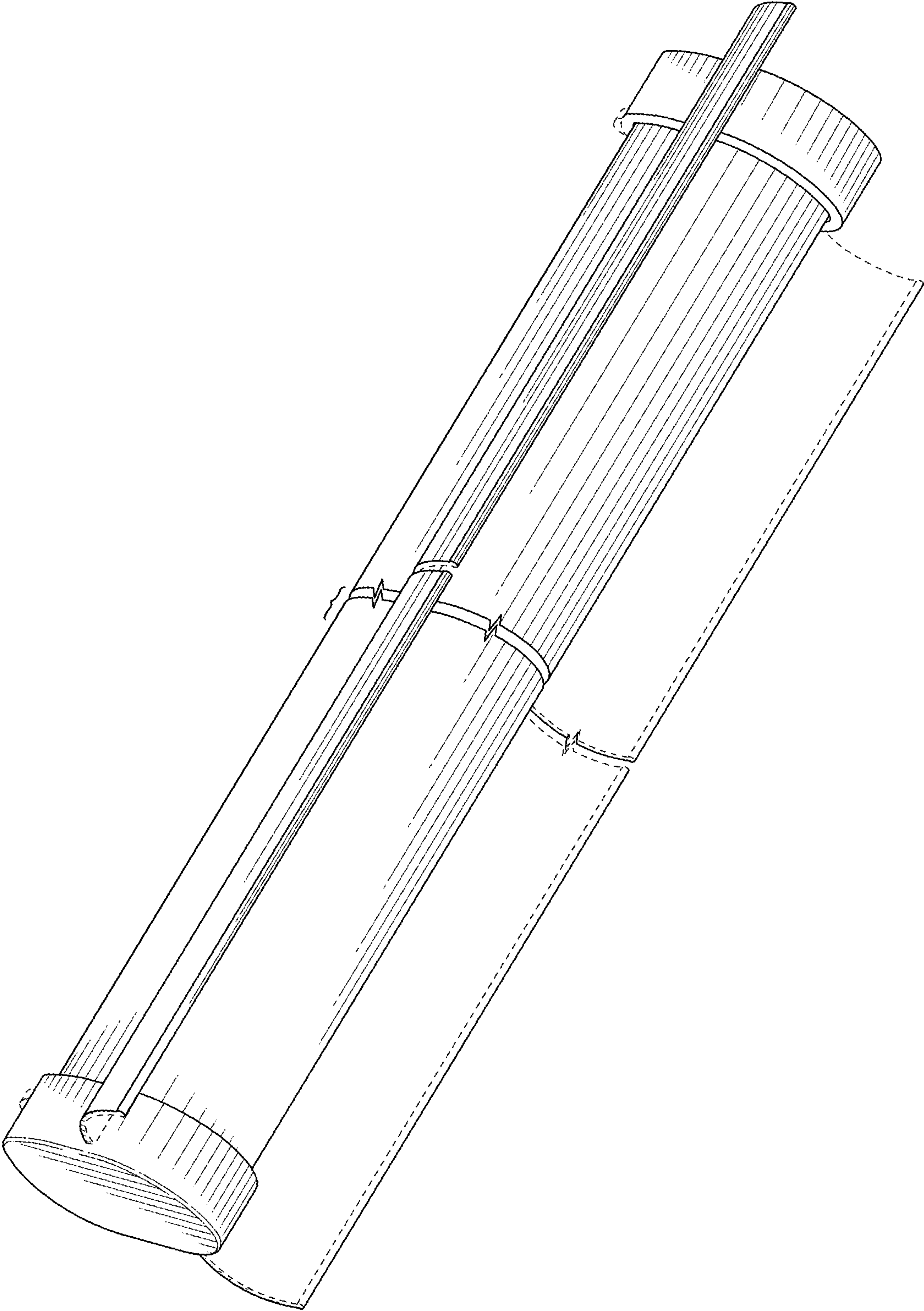


FIG. 2

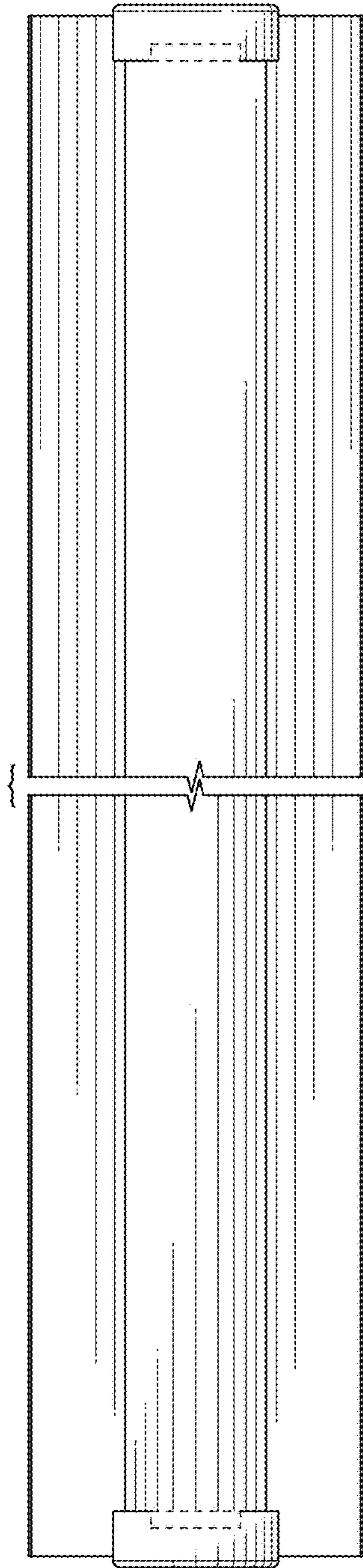


FIG. 3

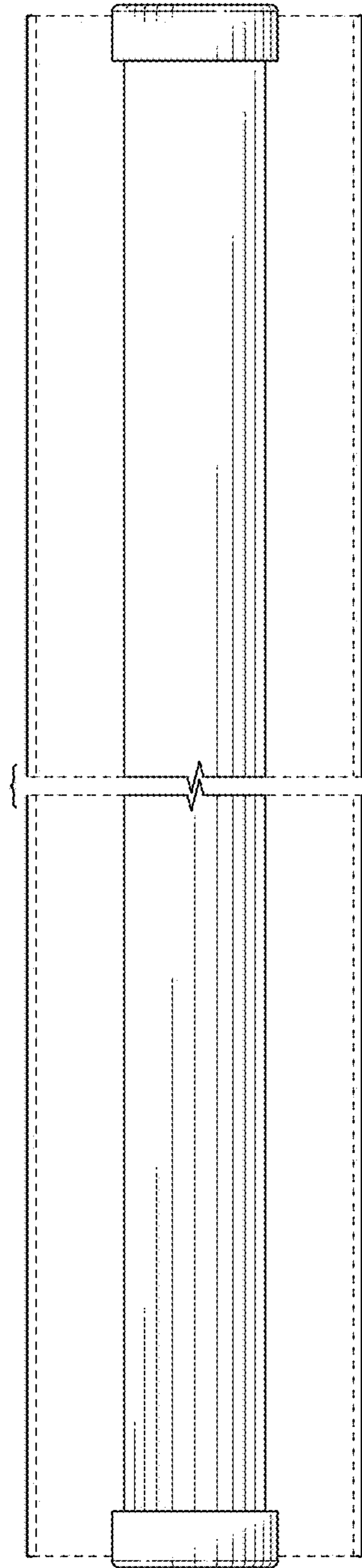


FIG. 4

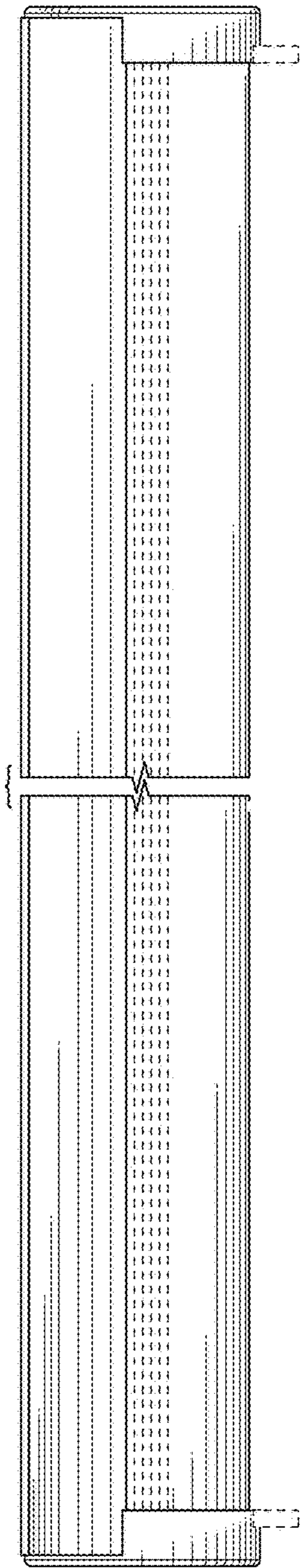


FIG. 5

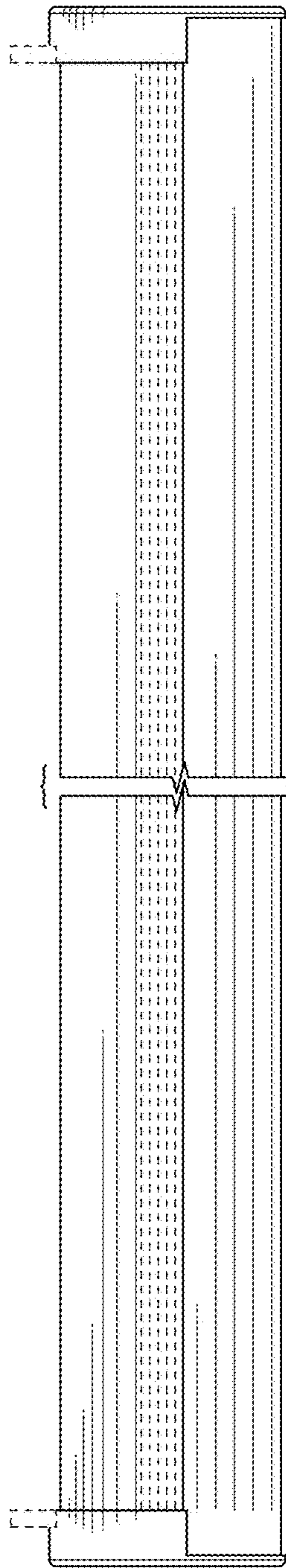


FIG. 6

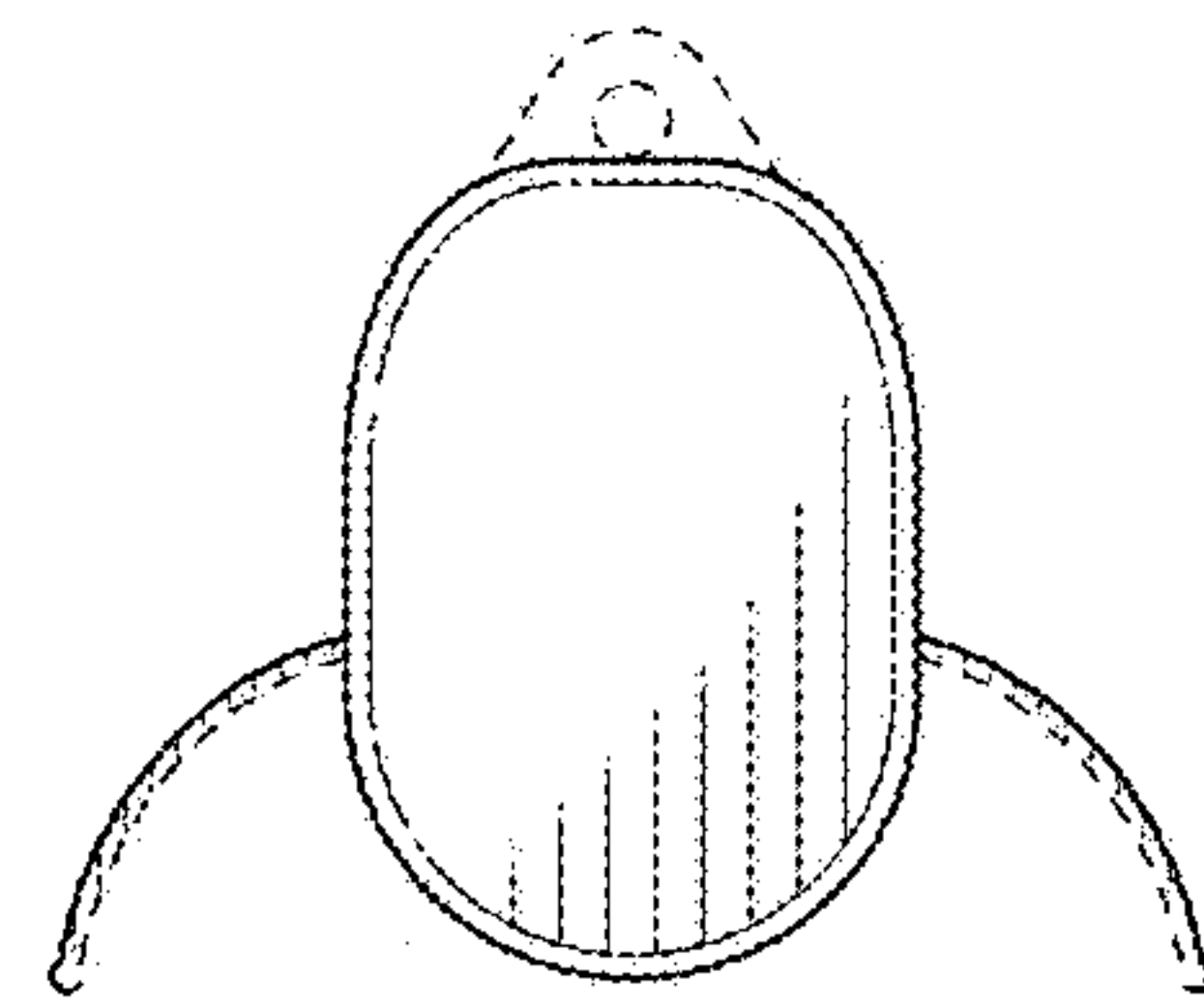


FIG. 7

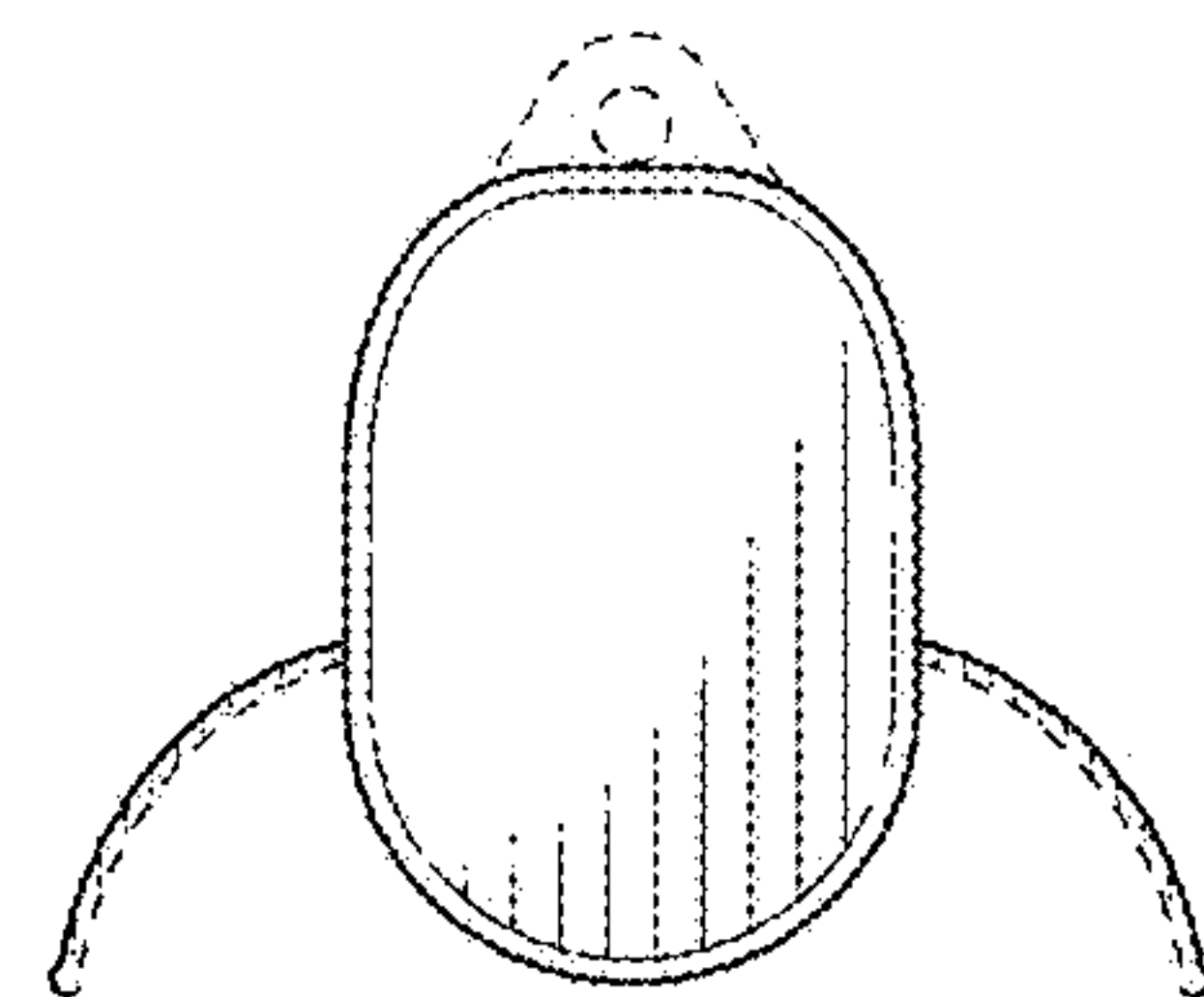


FIG. 8