

US00D842519S

(12) **United States Design Patent** (10) **Patent No.:** **US D842,519 S**  
**Cano et al.** (45) **Date of Patent:** **\*\* Mar. 5, 2019**

(54) **VERTICAL LIGHTS ON CABINET**

(71) Applicant: **American Glasscrafters, Inc.,**  
Carlstadt, NJ (US)

(72) Inventors: **Joesph F. Cano**, Ridgewood, NJ (US);  
**Robert P. Pandorf**, Yardley, PA (US);  
**Michael Balagyozyan**, Wayne, NJ (US)

(73) Assignee: **American Glasscrafters, Inc.,**  
Carlstadt, NJ (US)

(\*\*) Term: **15 Years**

(21) Appl. No.: **29/542,246**

(22) Filed: **Oct. 13, 2015**

(51) **LOC (11) Cl.** ..... **26-05**

(52) **U.S. Cl.**  
USPC ..... **D26/56**

(58) **Field of Classification Search**

USPC ..... D26/37-51, 58, 72, 56

CPC ..... F21L 2003/00; F21L 4/00; F21L 4/005;

F21L 4/02; F21L 4/025; F21L 4/027;

F21L 4/04; F21L 4/08; F21L 2005/00;

F21L 7/00; F21L 11/00; F21L 13/00;

F21L 13/04; F21L 13/08; F21L 14/02;

F21L 17/00; F21L 19/00

See application file for complete search history.

(56) **References Cited**

U.S. PATENT DOCUMENTS

D182,267 S \* 3/1958 Anderson ..... D6/561  
D278,918 S \* 5/1985 Morcheles ..... D26/58

D310,576 S \* 9/1990 Narbut ..... D19/62  
D337,844 S \* 7/1993 Poirier ..... D26/76  
D366,280 S \* 1/1996 Henderson ..... D14/315  
D401,094 S \* 11/1998 Kato ..... D6/561  
D751,236 S \* 3/2016 Renshaw ..... D26/89

\* cited by examiner

*Primary Examiner* — Lakiya G Rogers

*Assistant Examiner* — Carissa C Fitts

(74) *Attorney, Agent, or Firm* — Richard Malagiere, Esq.

(57) **CLAIM**

We claim the ornamental design for vertical lights on cabinet, as shown and described.

**DESCRIPTION**

FIG. 1 is a perspective view of the vertical lights on cabinet of the present invention.

FIG. 2 is a front view thereof.

FIG. 3 is a rear view thereof.

FIG. 4 is a side view thereof.

FIG. 5 is a side view thereof

FIG. 6 is a top plan view thereof.

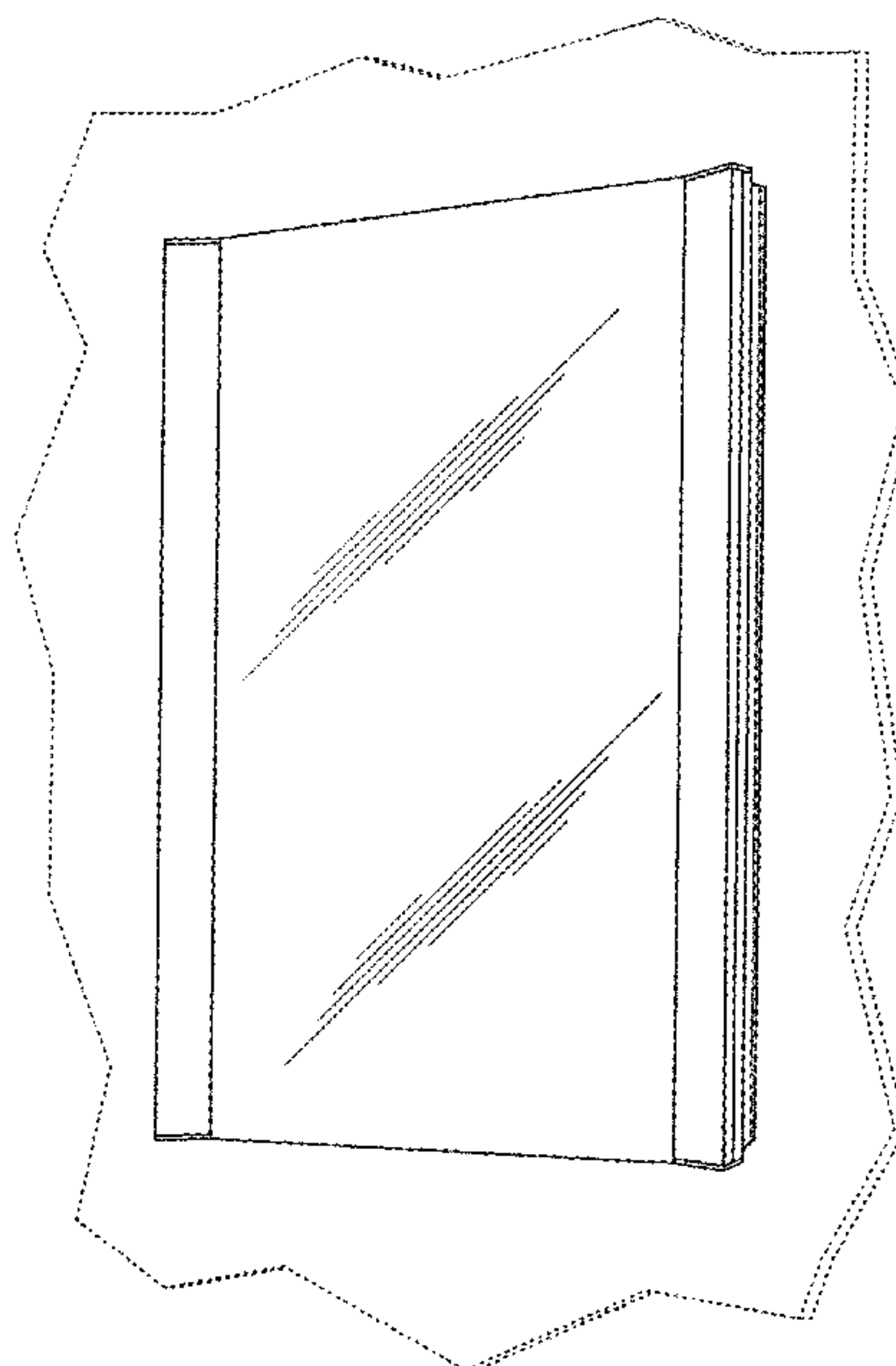
FIG. 7 is a bottom plan view thereof.

FIG. 8 is a perspective view thereof in a flush wall mounted configuration surrounding environment; and,

FIG. 9 is a perspective view thereof in a flat wall mounted configuration surrounding environment.

The broken line showing is for environmental purposes only and forms no part of the claimed invention.

**1 Claim, 6 Drawing Sheets**



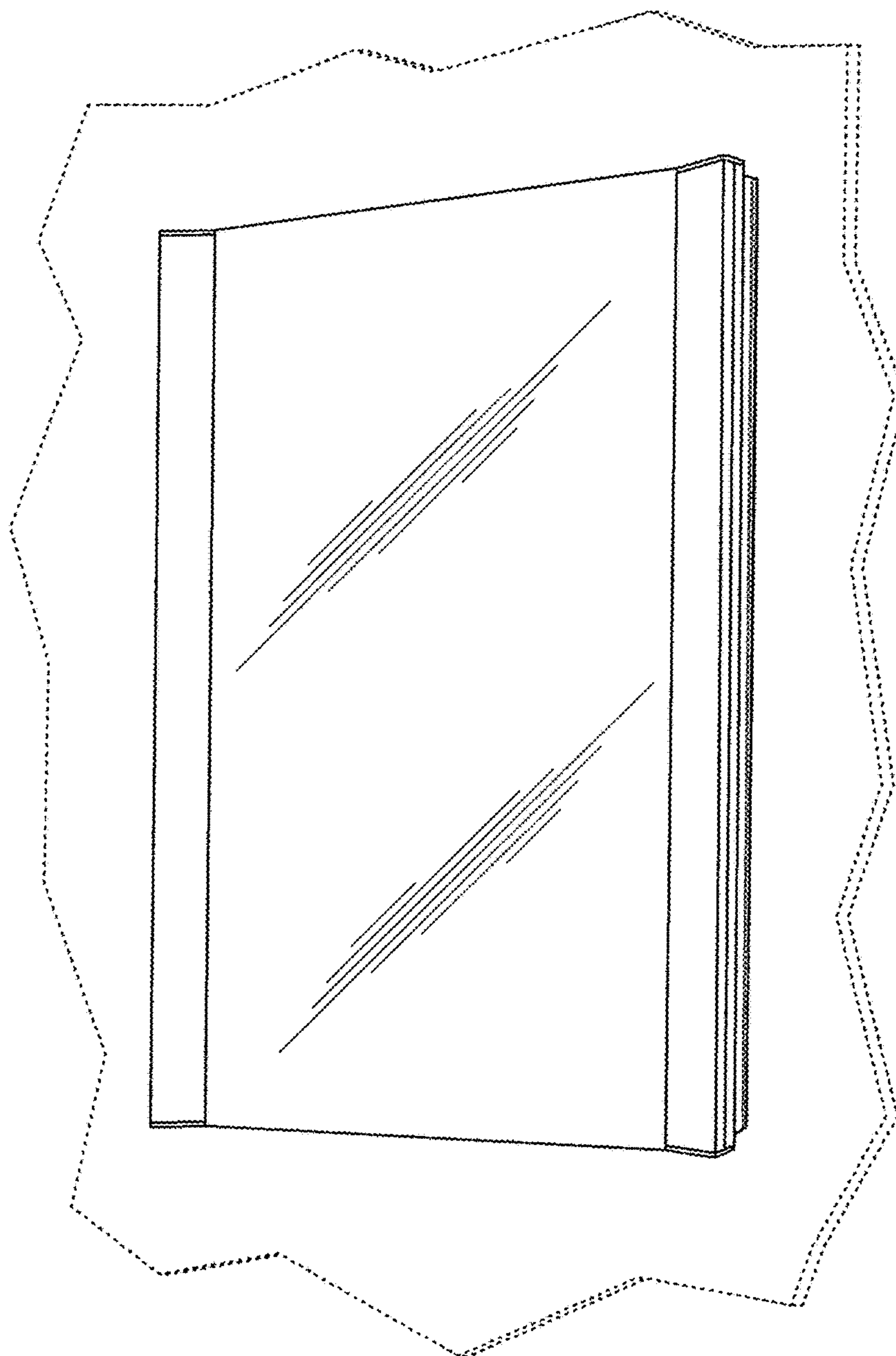


FIG. 1

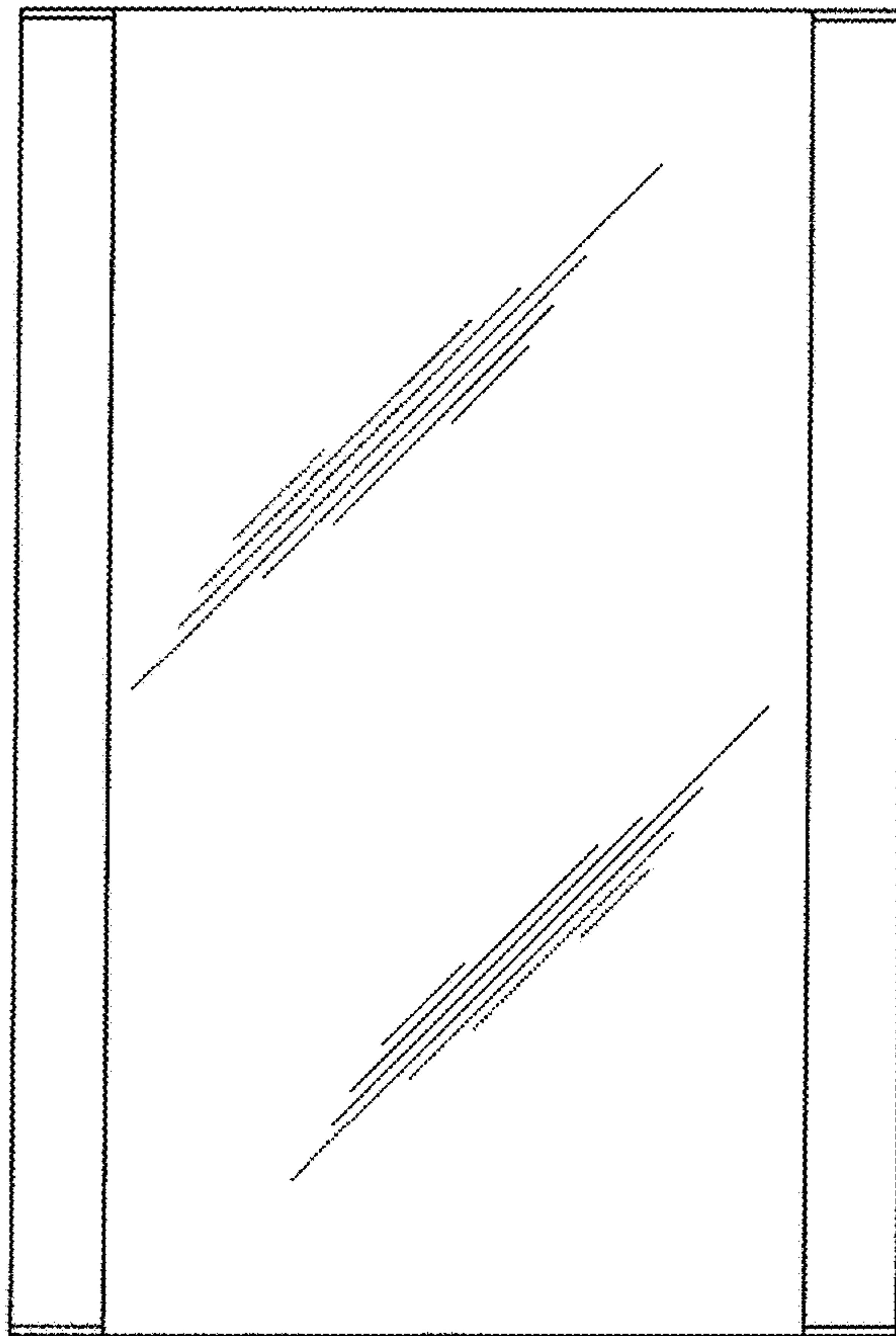


FIG. 2

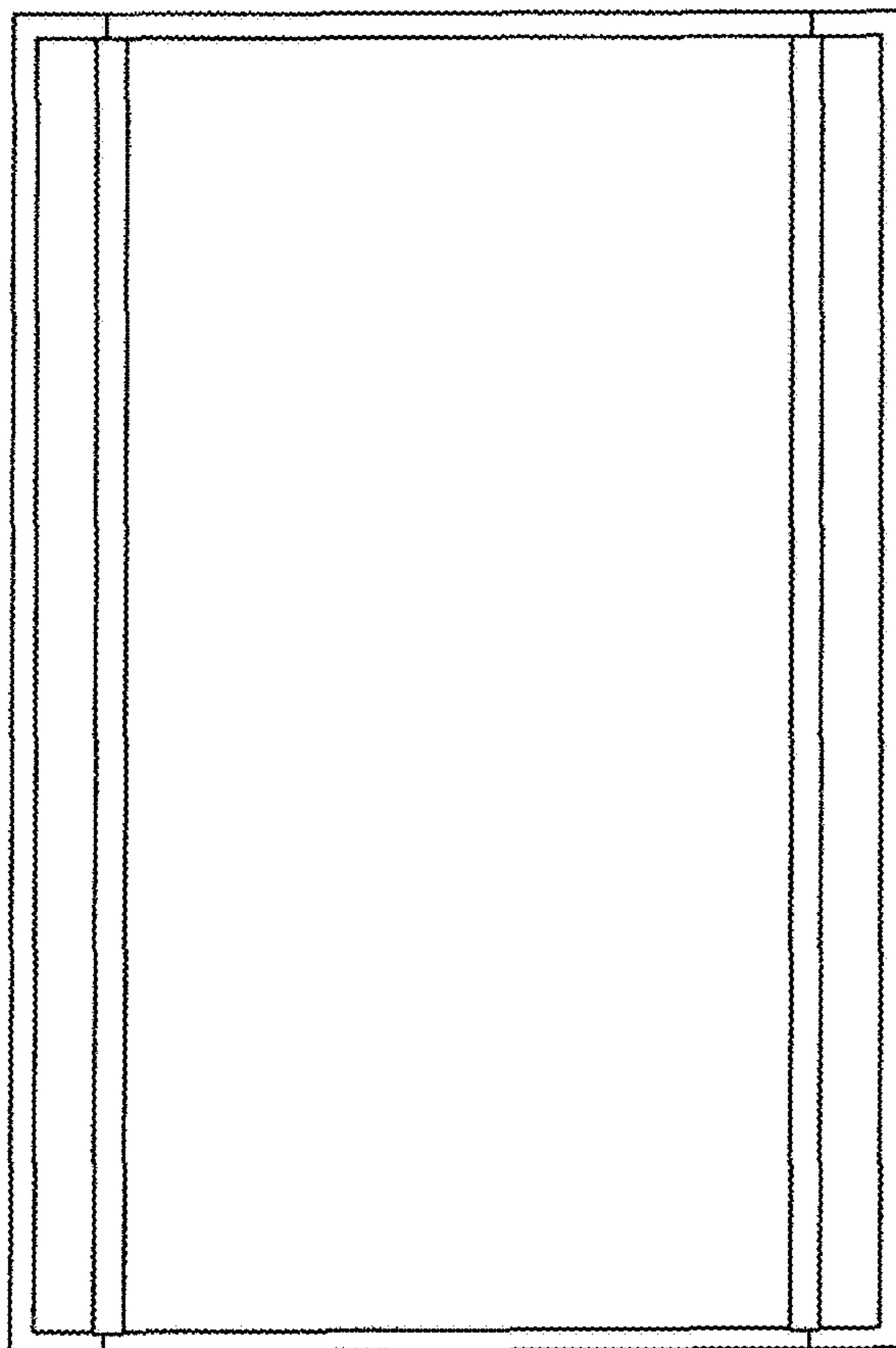


FIG. 3

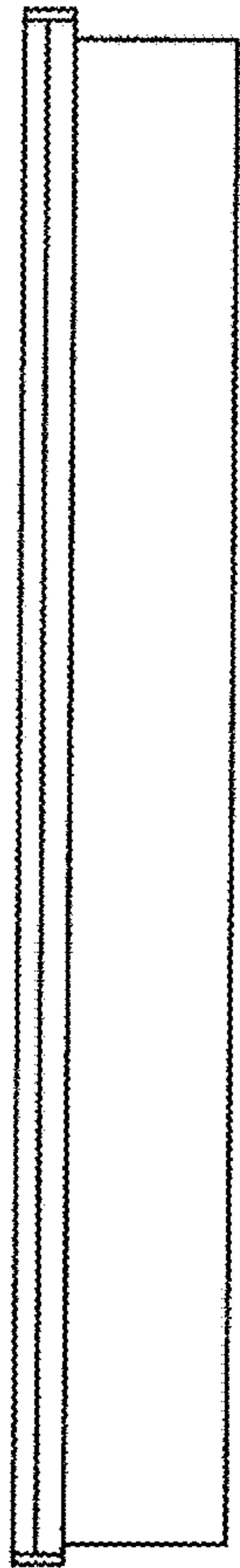


FIG. 4

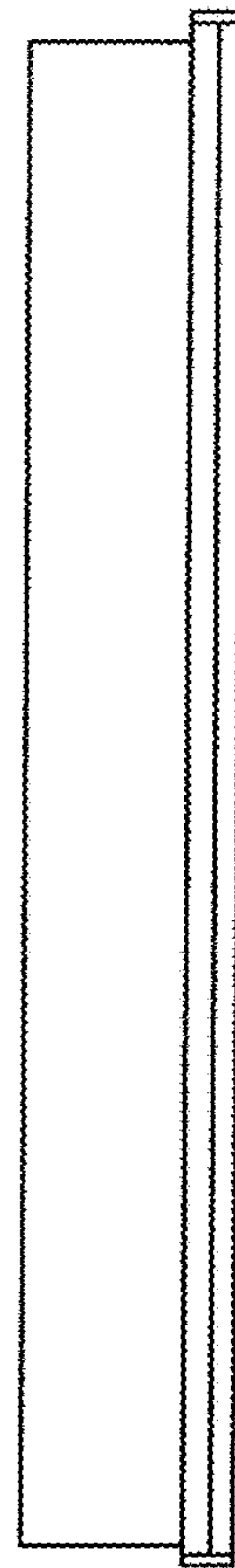


FIG. 5

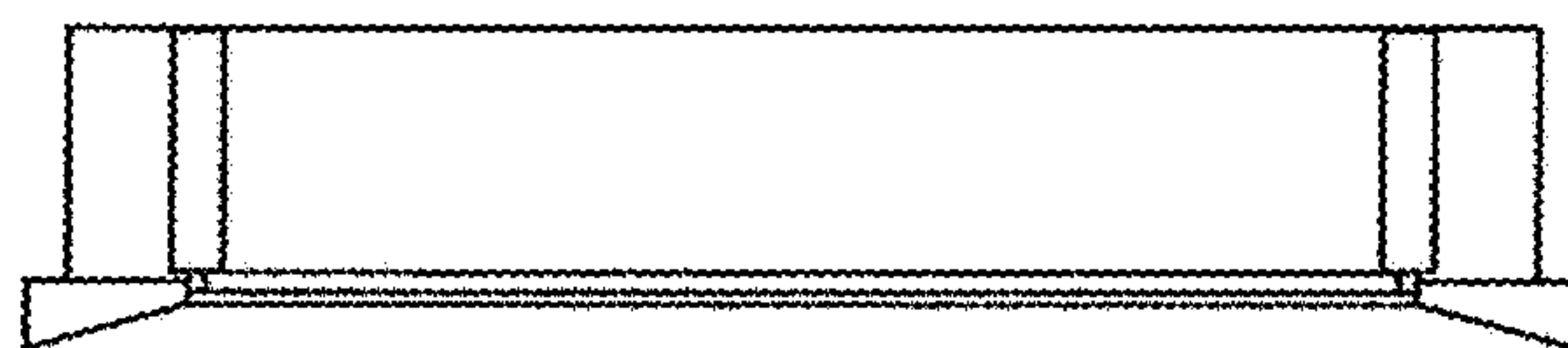


FIG. 6

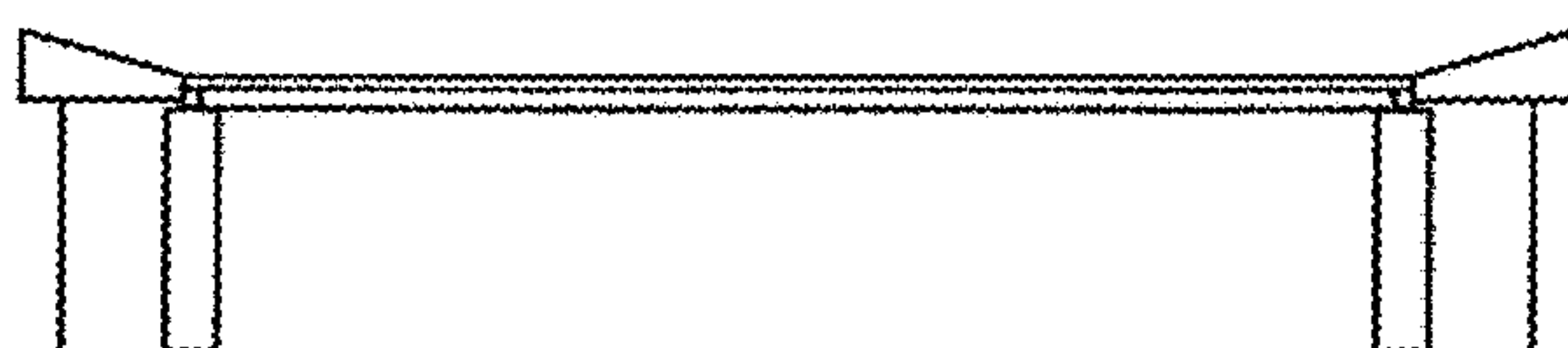


FIG. 7

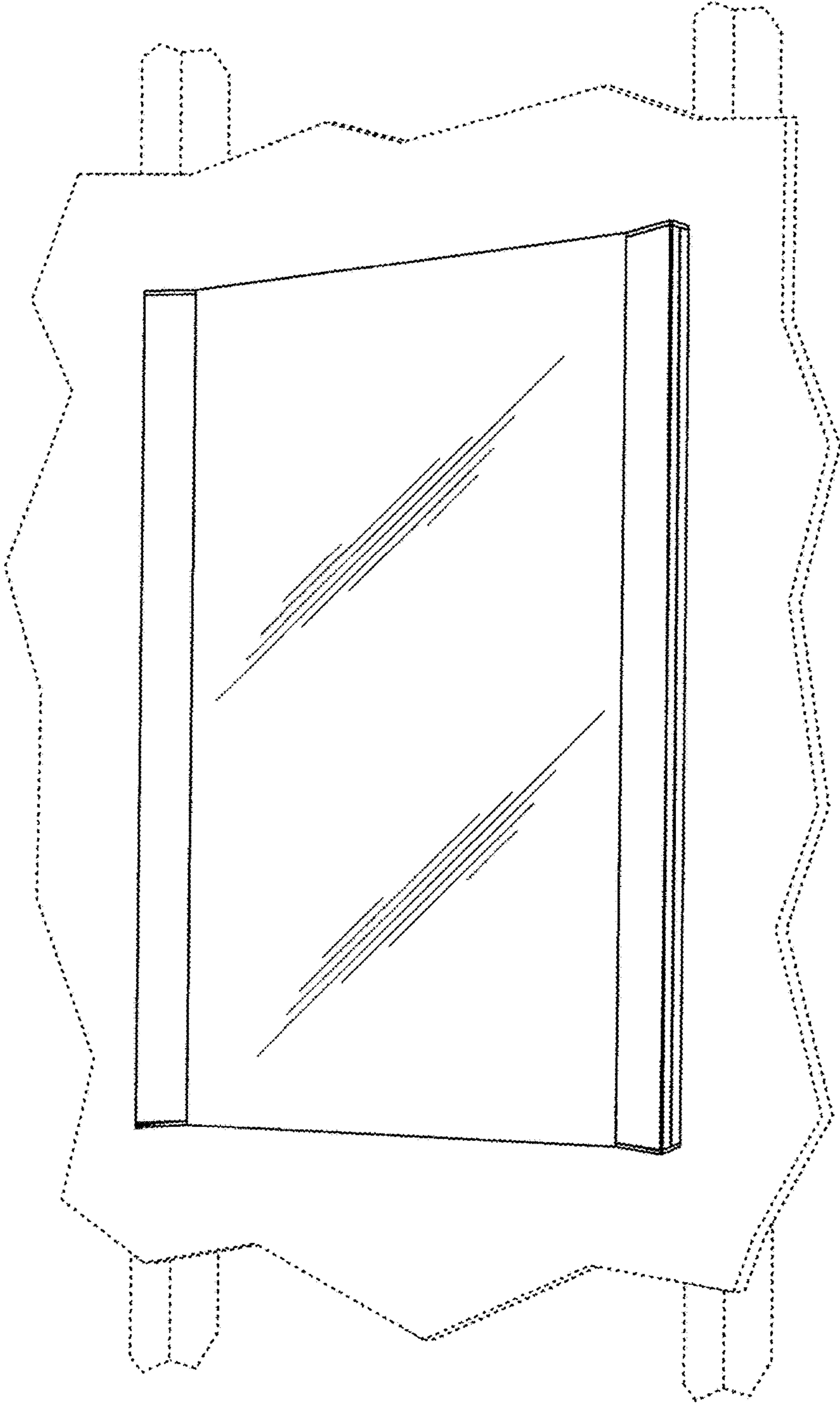


FIG. 8



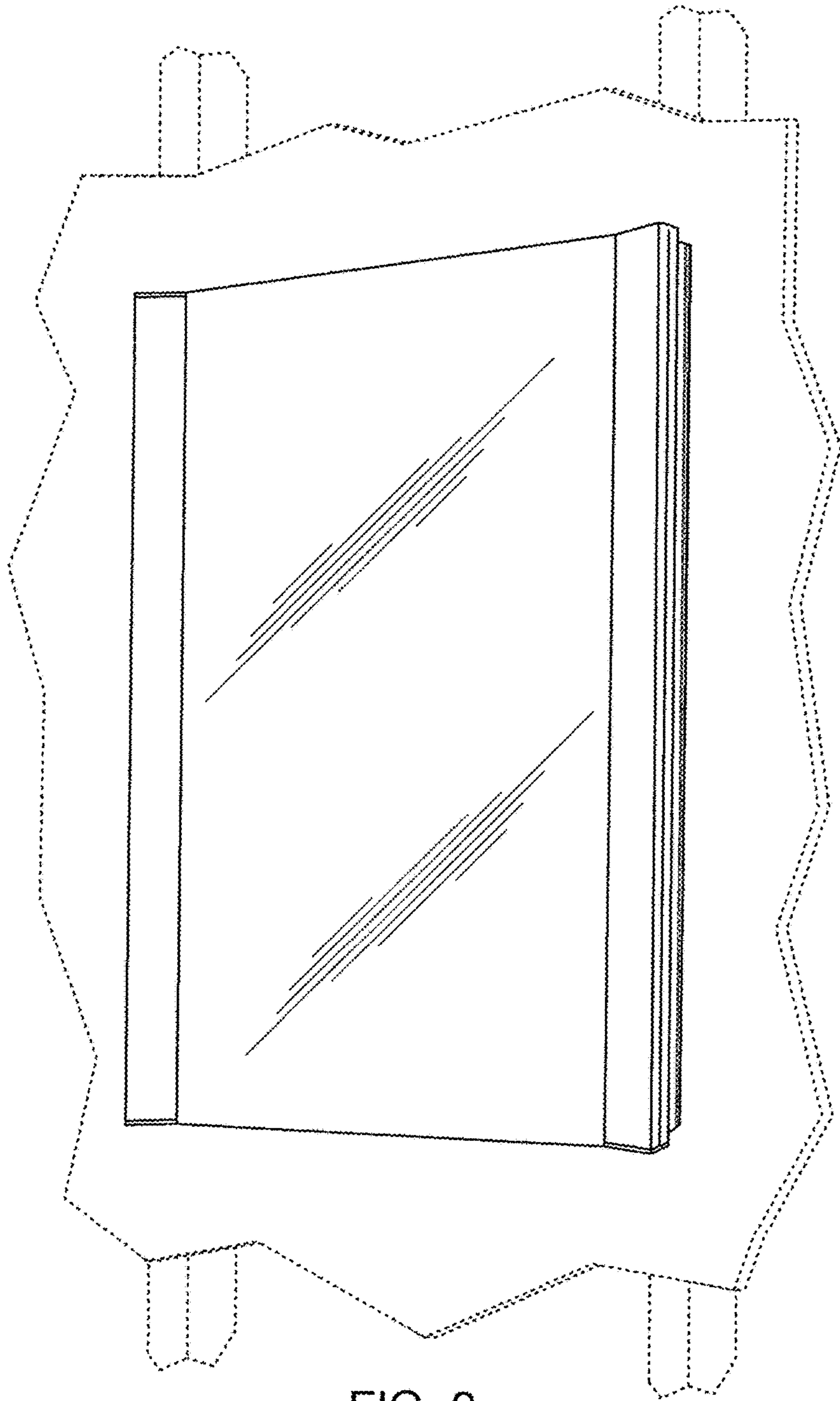


FIG. 9