



US00D842518S

(12) **United States Design Patent** (10) **Patent No.:** **US D842,518 S**
Griffin et al. (45) **Date of Patent:** **** Mar. 5, 2019**

(54) **COMBINATION ILLUMINATION DEVICE AND POWER SYSTEM**

(71) Applicant: **CHARGE AHEAD LLC**, Florence, MA (US)

(72) Inventors: **Anne Marie Griffin**, Florence, MA (US); **Stephen Joseph Smith**, Yonkers, NY (US)

(73) Assignee: **Charge Ahead LLC**, Florence, MA (US)

(**) Term: **15 Years**

(21) Appl. No.: **29/562,834**

(22) Filed: **Apr. 29, 2016**

Related U.S. Application Data

(63) Continuation-in-part of application No. 29/507,827, filed on Oct. 31, 2014, which is a continuation-in-part of application No. 29/507,837, filed on Oct. 31, 2014.

(51) **LOC (11) Cl.** **26-05**

(52) **U.S. Cl.**
USPC **D26/51**

(58) **Field of Classification Search**
USPC D26/37-51
CPC F21L 2003/00; F21L 4/00; F21L 4/005; F21L 4/02; F21L 4/025; F21L 4/027; F21L 4/04; F21L 4/08; F21L 2005/00; F21L 7/00; F21L 11/00; F21L 13/00; F21L 13/04; F21L 13/08; F21L 14/02; F21L 17/00; F21L 19/00; F21L 25/00
See application file for complete search history.

(56) **References Cited**

U.S. PATENT DOCUMENTS

D255,275 S * 6/1980 Brown D26/39
D275,523 S * 9/1984 Ader D26/39

4,786,851 A 11/1988 Fuji et al.
D361,143 S * 8/1995 Helvey D26/39
5,803,579 A 9/1998 Turnbull et al.
D425,558 S * 5/2000 Tarpenning D14/336
D430,901 S * 9/2000 Palmer D20/10
D468,283 S 1/2003 Hong et al.
D490,420 S * 5/2004 Solomon D14/341
6,817,735 B2 11/2004 Shimizu et al.
7,008,078 B2 3/2006 Shimizu et al.
D601,490 S * 10/2009 Zhu D13/102
D622,514 S * 8/2010 Park D6/308

(Continued)

OTHER PUBLICATIONS

What is Micro USB? <http://www.wisegeek.com/what-is-micro-usb.htm>.

(Continued)

Primary Examiner — Lakiya G Rogers

Assistant Examiner — Carissa C Fitts

(74) *Attorney, Agent, or Firm* — Saul Ewing Arnstein & Lehr LLP; Gianna Julian Arnold; Brian R. Landry

(57) **CLAIM**

The ornamental design of a combination illumination device and power system, as shown and described.

DESCRIPTION

FIG. 1 is a perspective view of the top, front, and right side of a combination illumination device and power system showing an embodiment of the new design.

FIG. 2 is a front view thereof.

FIG. 3 is a back view thereof.

FIG. 4 is a left view thereof.

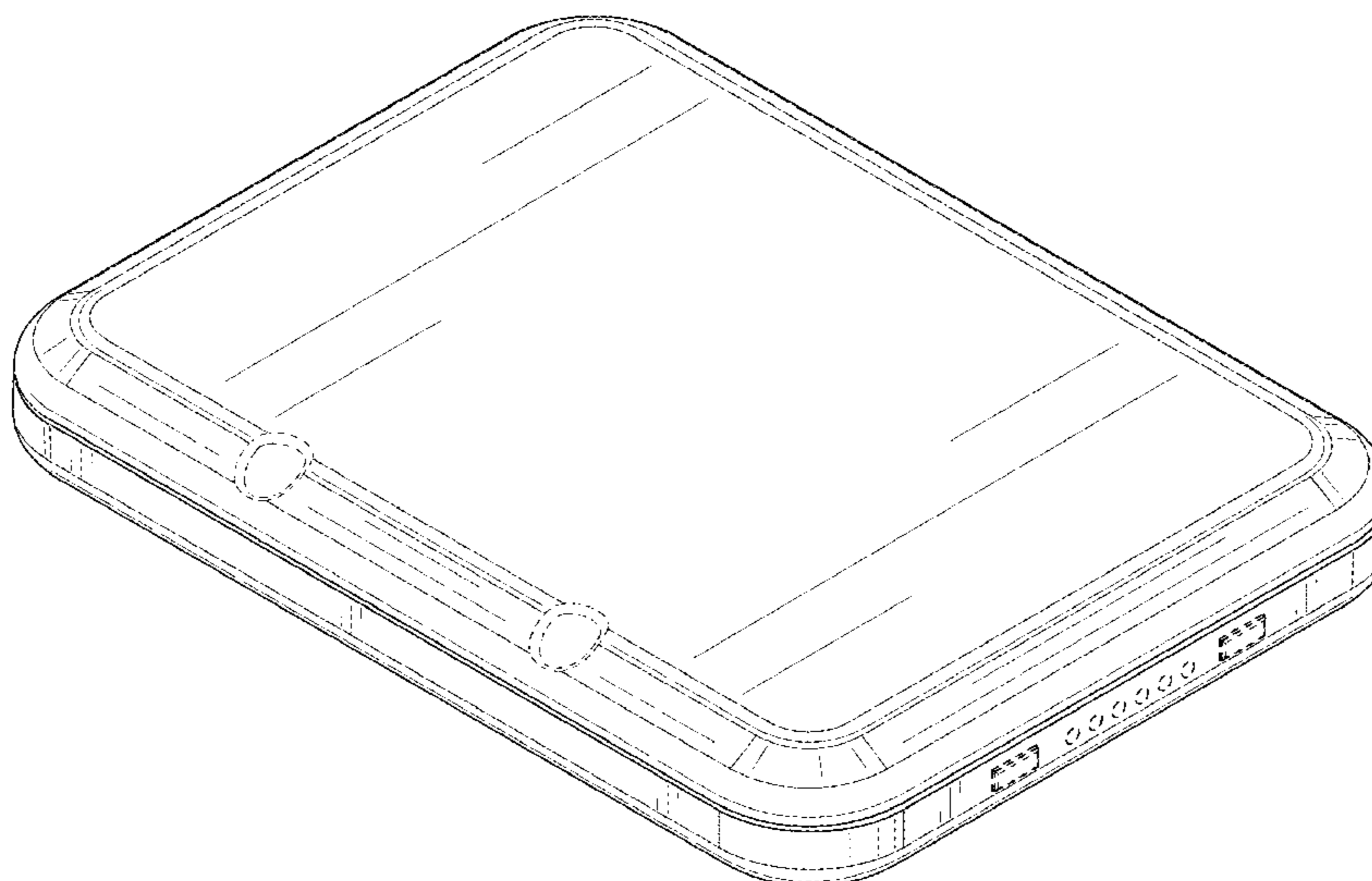
FIG. 5 is a right view thereof.

FIG. 6 is a top view thereof; and,

FIG. 7 is a bottom view thereof.

The broken lines show portions of the article that form no part of the claimed design.

1 Claim, 7 Drawing Sheets



(56)

References Cited

U.S. PATENT DOCUMENTS

7,768,192 B2 8/2010 Van de Ven et al.
D624,598 S * 9/2010 Chida D20/43
D628,148 S * 11/2010 English D13/102
D630,162 S * 1/2011 Bullen D13/102
D634,704 S * 3/2011 Tieleman D13/102
D638,964 S * 5/2011 Cappuccio D26/39
D650,736 S * 12/2011 Wharram D13/102
D657,305 S * 4/2012 Nomi D13/102
D681,740 S * 5/2013 Hase D20/42
8,508,116 B2 8/2013 Negley et al.
D715,233 S 10/2014 Takao et al.
D715,731 S 10/2014 Nook et al.
8,853,892 B2 10/2014 Fells et al.
8,853,947 B2 10/2014 Asato
8,853,953 B2 10/2014 Pollock et al.
8,858,015 B2 10/2014 Harshaw
8,866,407 B2 10/2014 Takahashi
8,866,416 B2 10/2014 Burrows et al.
D776,050 S * 1/2017 Awad D13/102
D812,140 S * 3/2018 Lee D20/10
2010/0182774 A1 7/2010 Kugel et al.
2012/0120642 A1 5/2012 Sreshta et al.

OTHER PUBLICATIONS

History of Solar Energy, Office of Energy Efficiency & Renewable Energy, U.S. Department of Energy, Energy Efficiency and Renewable Energy.

* cited by examiner

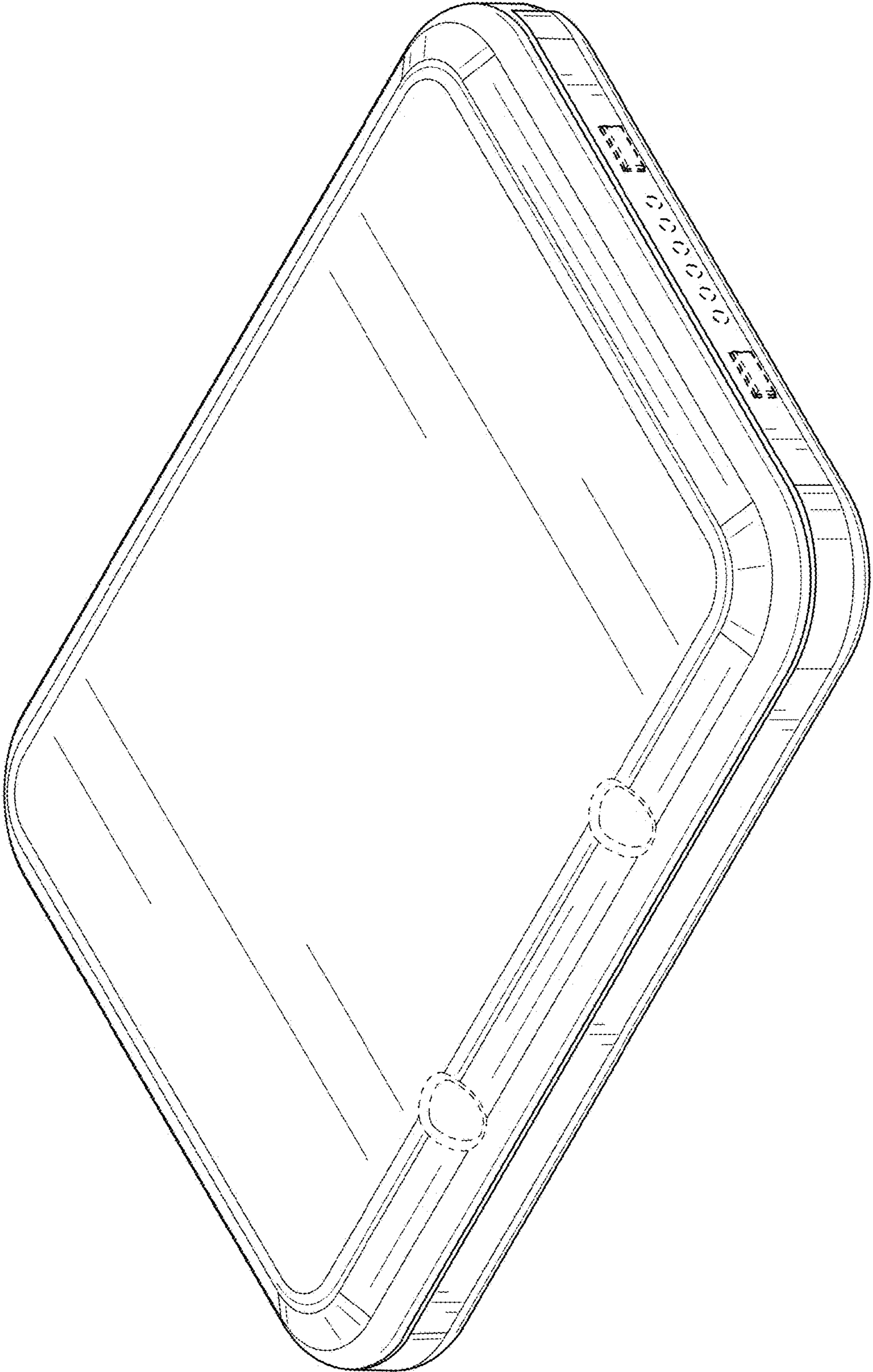


FIG. 1

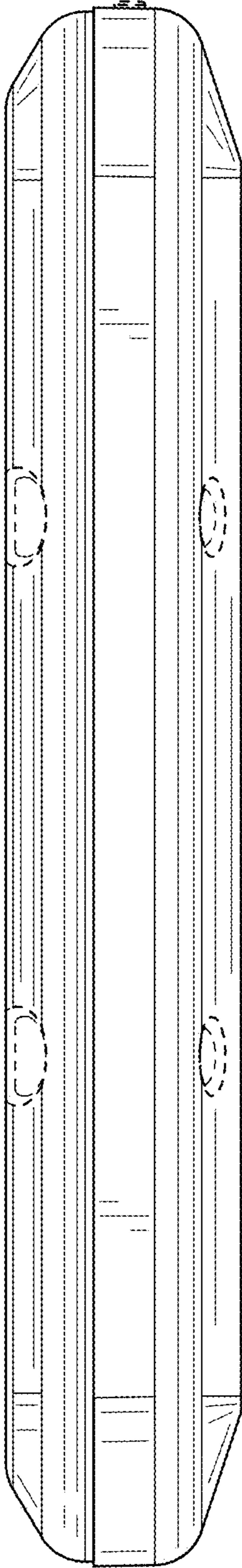


FIG. 2

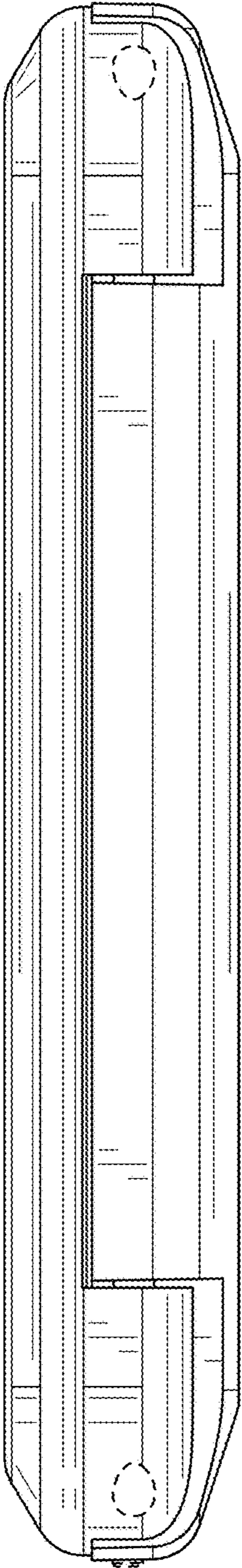


FIG. 3

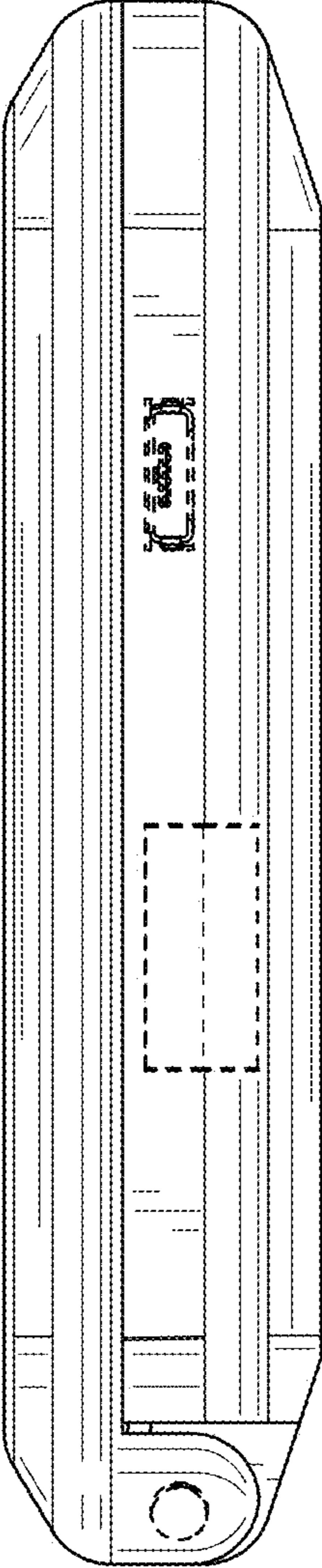


FIG. 4

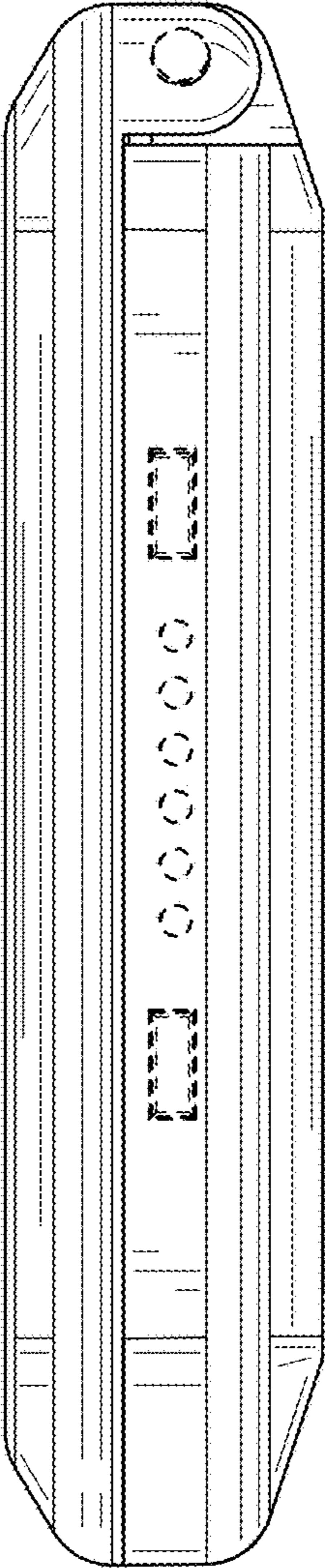


FIG. 5

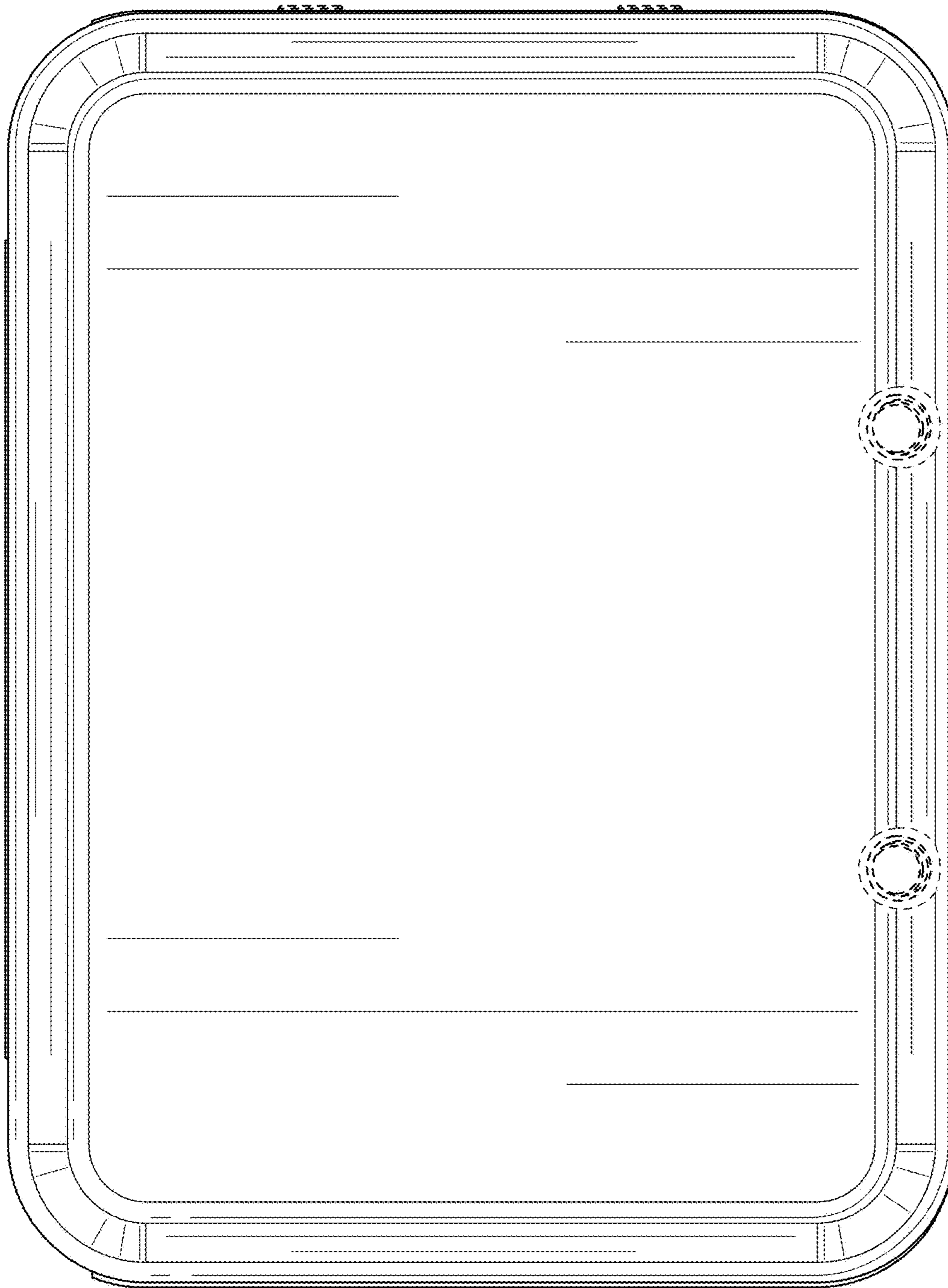


FIG. 6

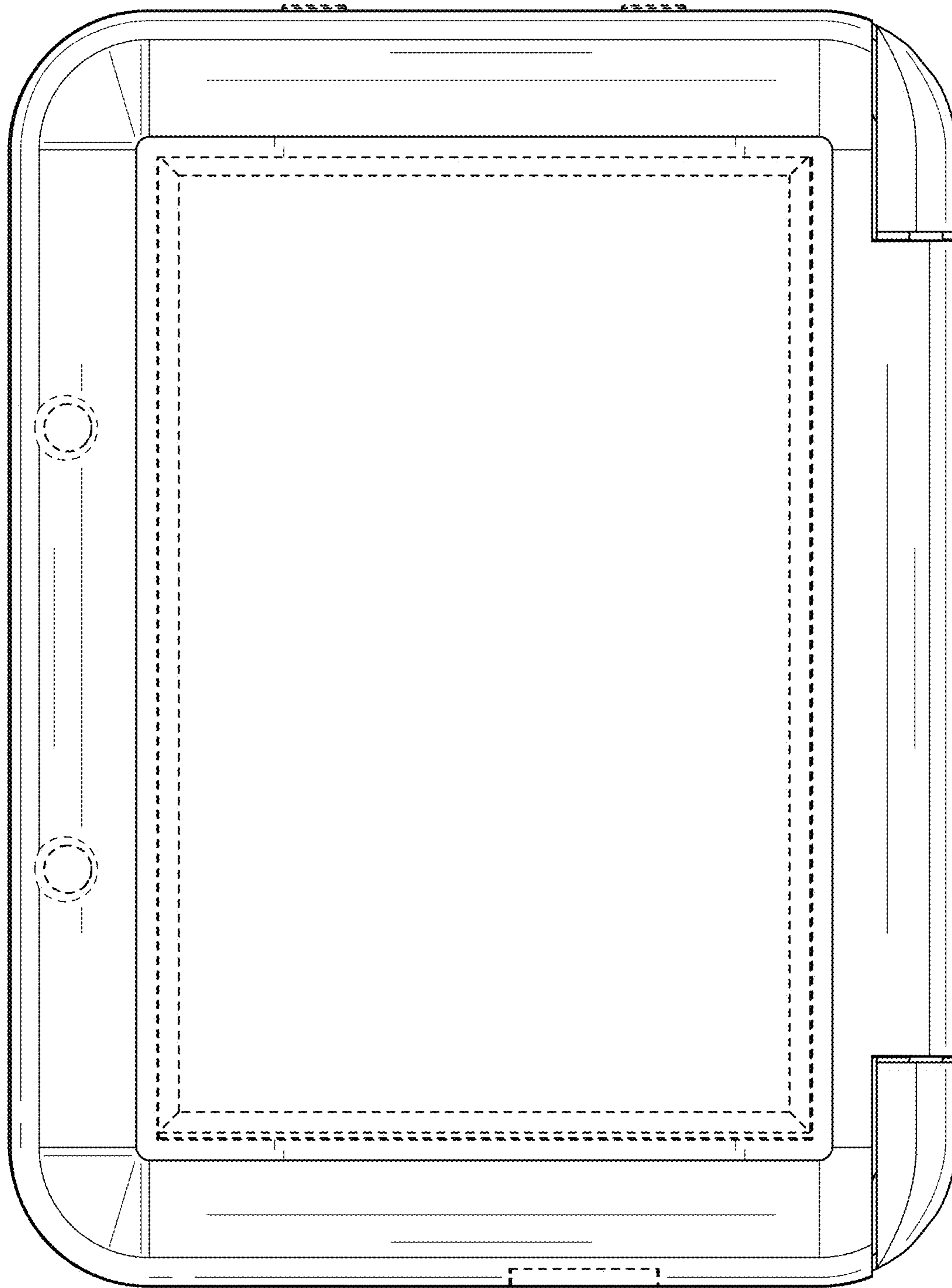


FIG. 7