



US00D842517S

(12) **United States Design Patent**
Davidson et al.

(10) **Patent No.:** **US D842,517 S**

(45) **Date of Patent:** **** Mar. 5, 2019**

(54) **PORTABLE LIGHT**

(71) Applicant: **Knog Pty Ltd**, Richmond, Victoria (AU)

(72) Inventors: **Hugo Davidson**, Richmond (AU); **Malcolm McKechnie**, Richmond (AU); **Michael Westwood**, Richmond (AU); **Christopher Bilanenko**, Richmond (AU); **Anton Van Maanen**, Richmond (AU); **Timothy Besley**, Richmond (AU)

(73) Assignee: **KNOG PTY LTD.**, Richmond (AU)

(**) Term: **15 Years**

(21) Appl. No.: **29/601,173**

(22) Filed: **Apr. 19, 2017**

(30) **Foreign Application Priority Data**

Oct. 19, 2016 (AU) 201615910

(51) **LOC (11) Cl.** **26-02**

(52) **U.S. Cl.**
USPC **D26/49**

(58) **Field of Classification Search**

USPC D26/37-51
CPC F21L 2003/00; F21L 4/00; F21L 4/005;
F21L 4/02; F21L 4/025; F21L 4/027;
F21L 4/04; F21L 4/08; F21L 2005/00;
F21L 7/00; F21L 11/00; F21L 13/00;
F21L 13/04; F21L 13/08; F21L 14/02;
F21L 17/00; F21L 19/00; F21L 25/00

See application file for complete search history.

(56) **References Cited**

U.S. PATENT DOCUMENTS

D531,743 S * 11/2006 Opolka D26/37
D532,372 S * 11/2006 Keating D13/108
D532,745 S * 11/2006 Gaber D13/108

(Continued)

Primary Examiner — Lakiya G Rogers

Assistant Examiner — Carissa C Fitts

(74) *Attorney, Agent, or Firm* — Christensen O'Connor Johnson Kindness, PLLC; Ryan E. Dodge, Jr.

(57) **CLAIM**

The ornamental design for a portable light, as shown.

DESCRIPTION

FIG. 1 is a front bottom perspective view of a portable light in accordance with the present design;

FIG. 2 is a rear right lower perspective view of the portable light shown in FIG. 1;

FIG. 3 is a rear right lower perspective view of the portable light shown in FIG. 1 with a cap removed;

FIG. 4 is a front view of the portable light shown in FIG. 1;

FIG. 5 is a rear view of the portable light shown in FIG. 1;

FIG. 6 is a top view of the portable light shown in FIG. 1;

FIG. 7 is a bottom view of the portable light shown in FIG. 1;

FIG. 8 is a front right lower perspective view of a portable light according to a second embodiment of the present design;

FIG. 9 is a rear right lower perspective view of the portable light shown in FIG. 8;

FIG. 10 is a rear right lower perspective view of the portable light shown in FIG. 8 with a cap removed;

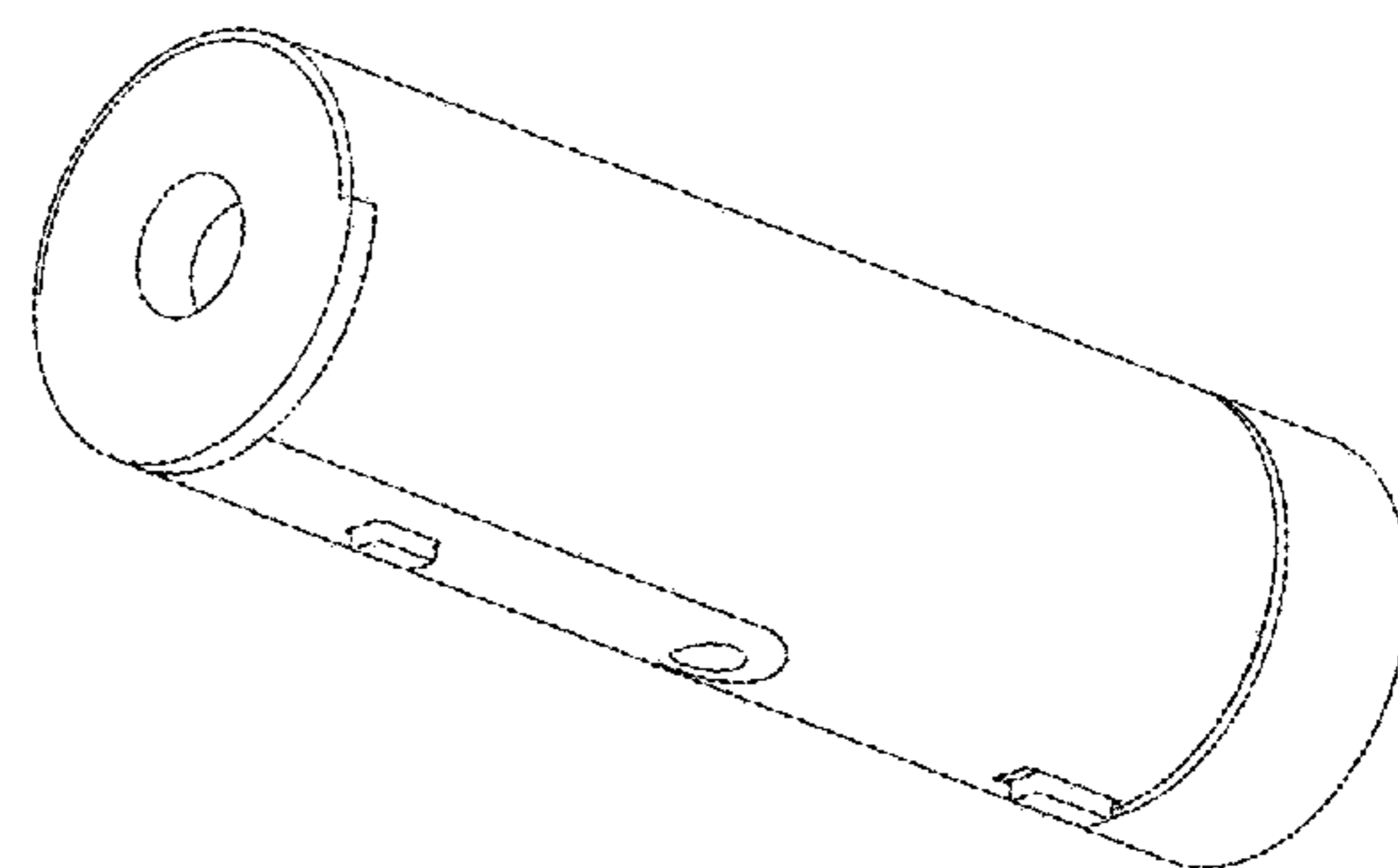
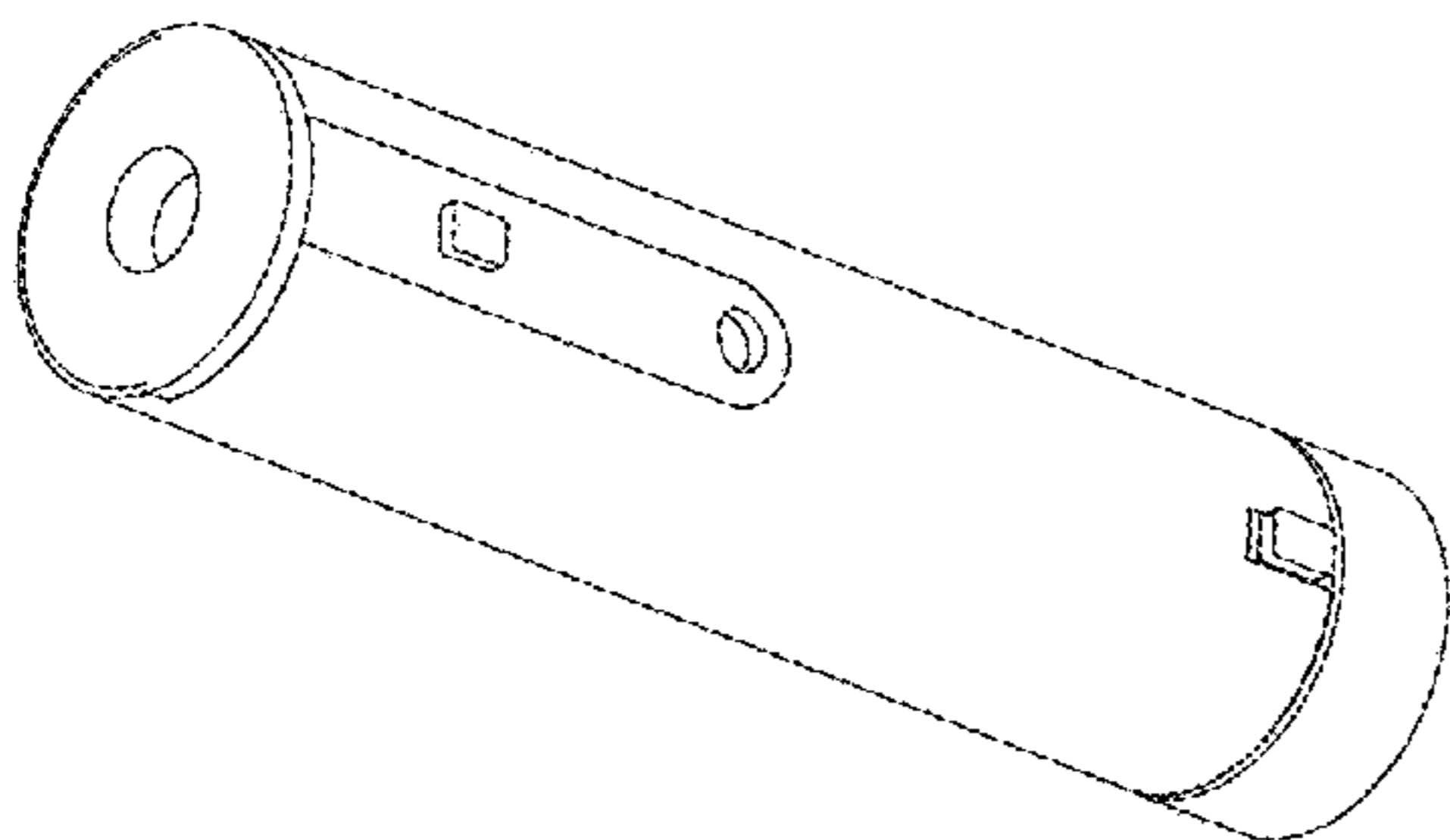
FIG. 11 is a front view of the portable light shown in FIG. 8;

FIG. 12 is a rear view of the portable light shown in FIG. 8;

FIG. 13 is a top view of the portable light shown in FIG. 8;

and, FIG. 14 is a bottom view of the portable light shown in FIG. 8.

1 Claim, 4 Drawing Sheets



(56)

References Cited

U.S. PATENT DOCUMENTS

D576,324 S *	9/2008	Wolff	D26/39
D598,374 S *	8/2009	Sasada	D13/108
D645,816 S *	9/2011	Sasada	D13/108
D665,346 S *	8/2012	Kumagai	D13/108
D686,155 S *	7/2013	Nguyen	D13/103
D744,681 S *	12/2015	Breen	D26/49
D749,044 S *	2/2016	Huang	D13/108
D765,898 S *	9/2016	Caito	D26/42
D772,455 S *	11/2016	Chen	D26/38
D780,115 S *	2/2017	Huang	D13/107

* cited by examiner

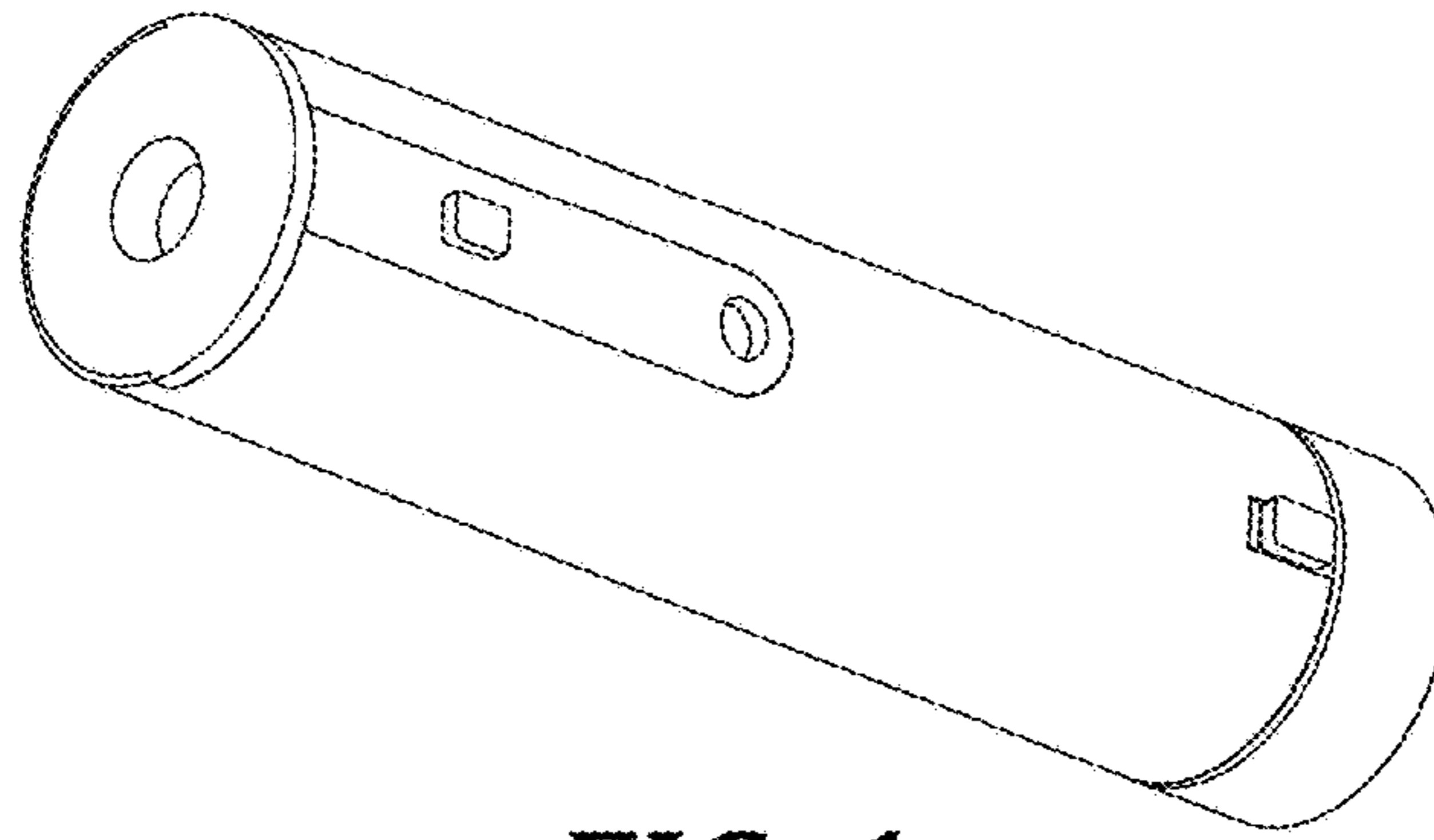


FIG. 1

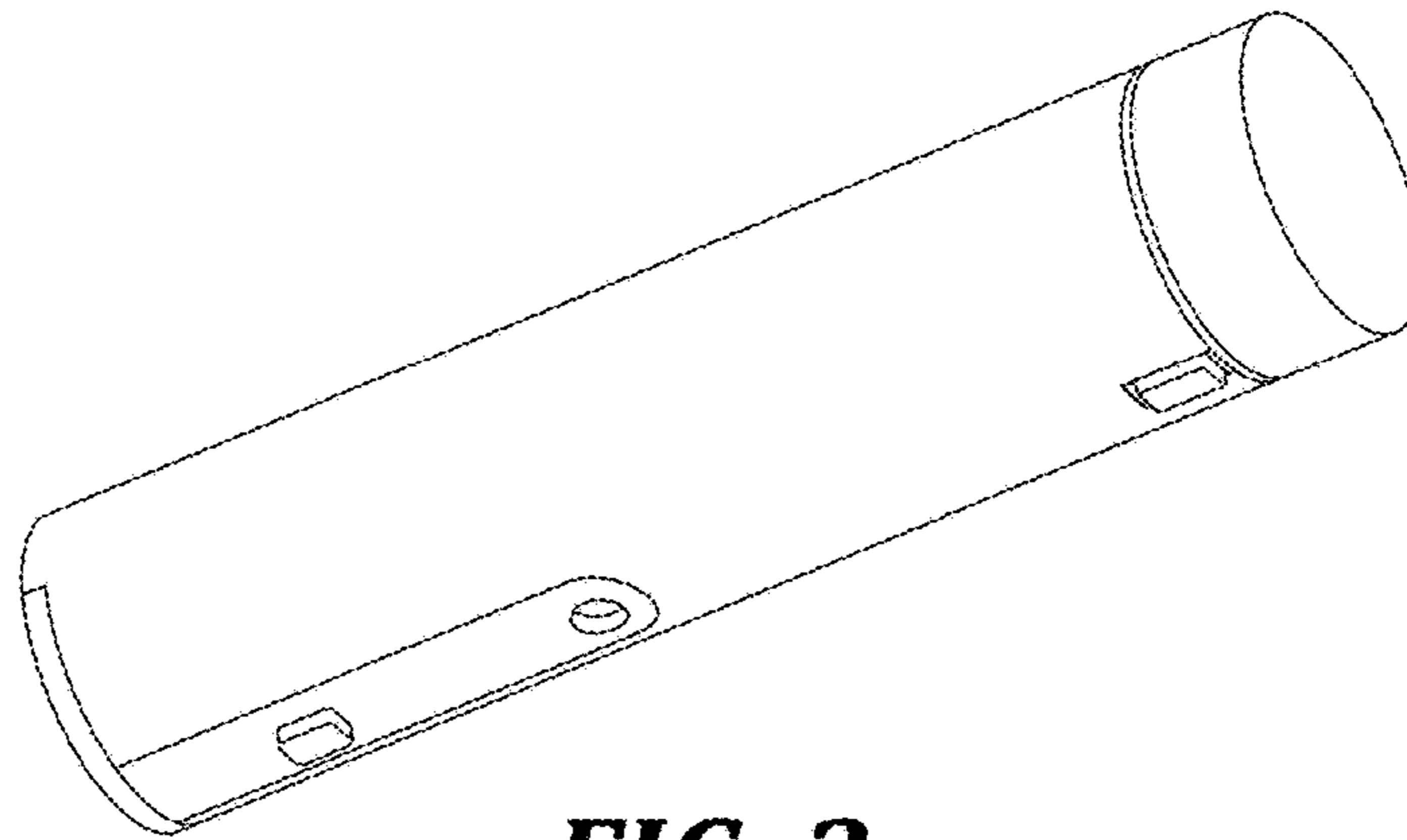


FIG. 2

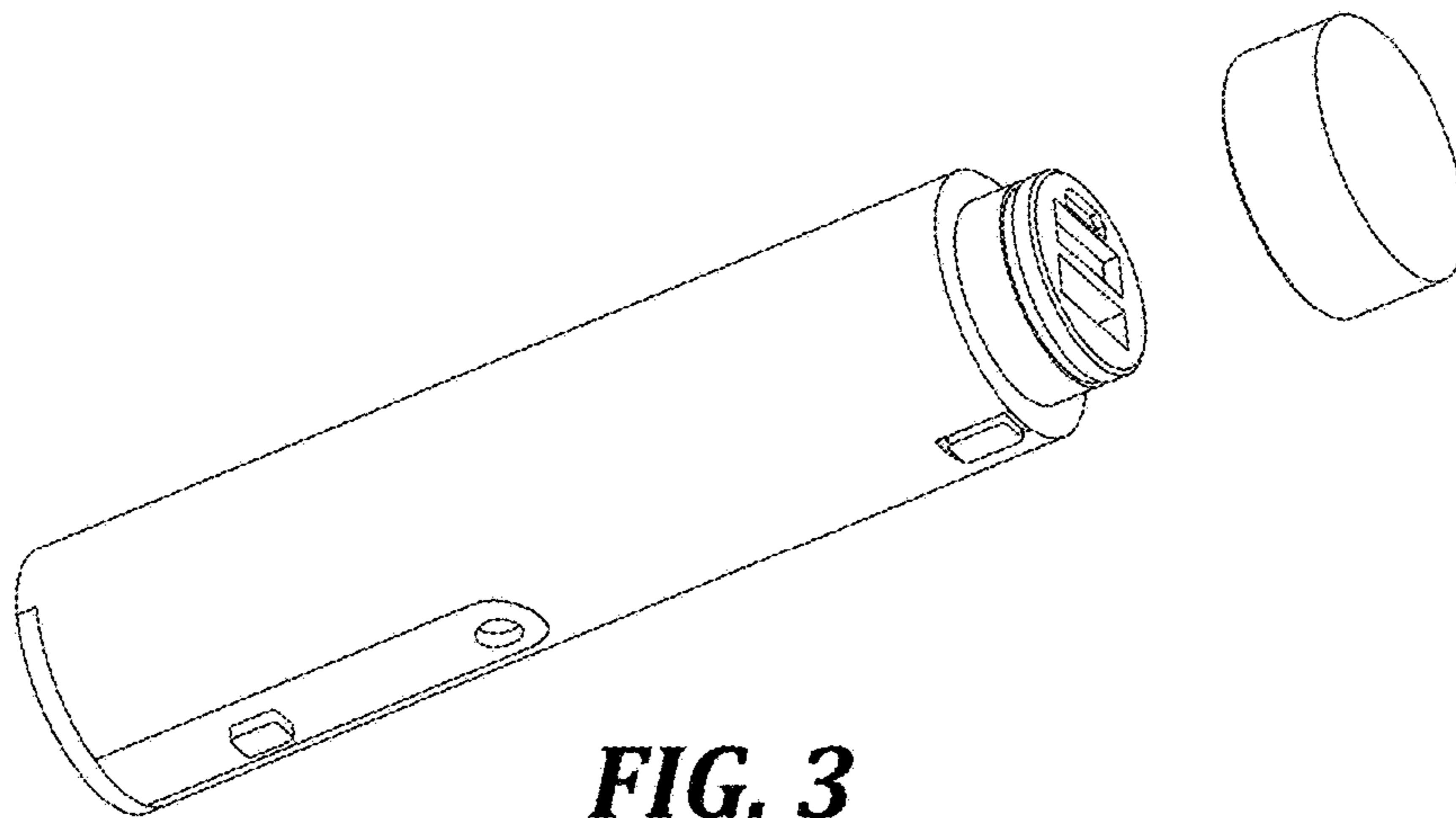


FIG. 3

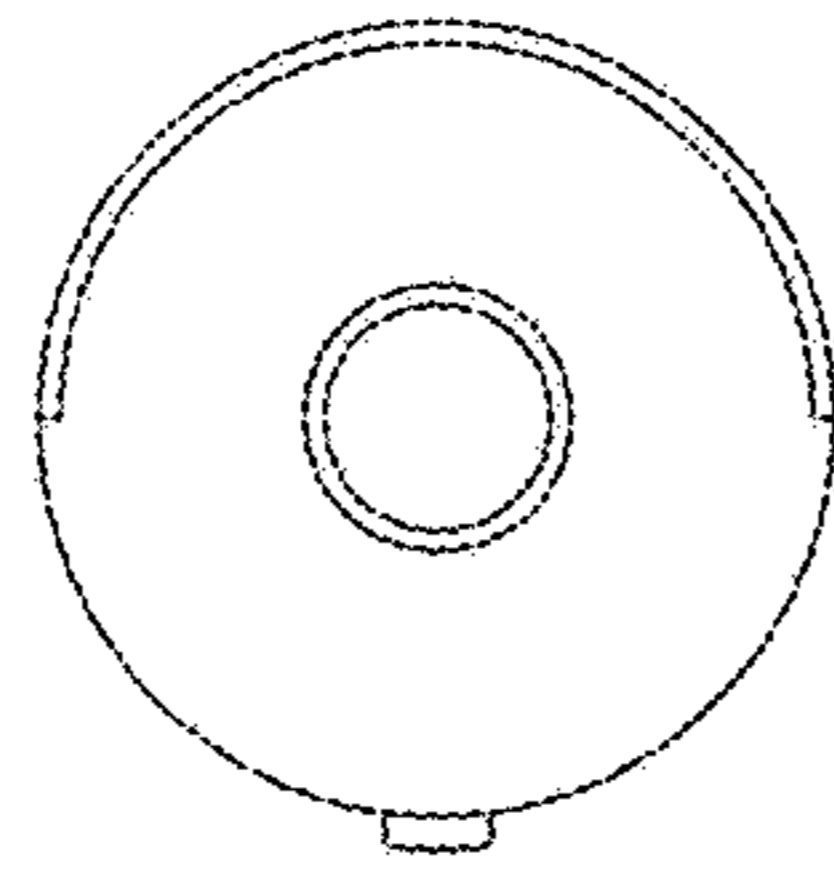


FIG. 4

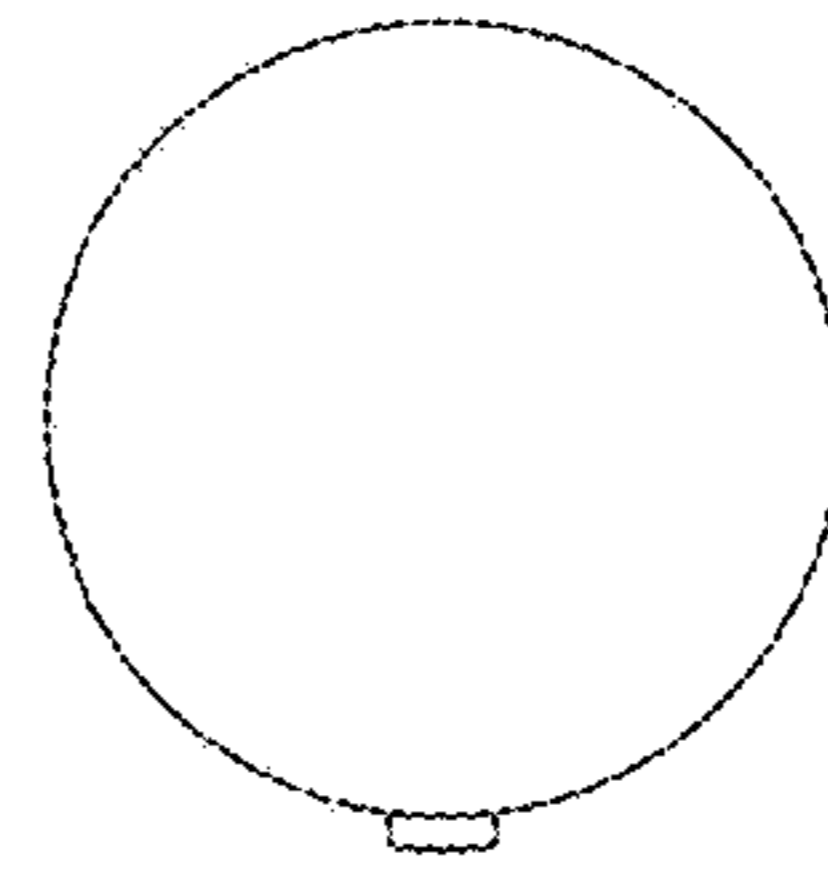


FIG. 5

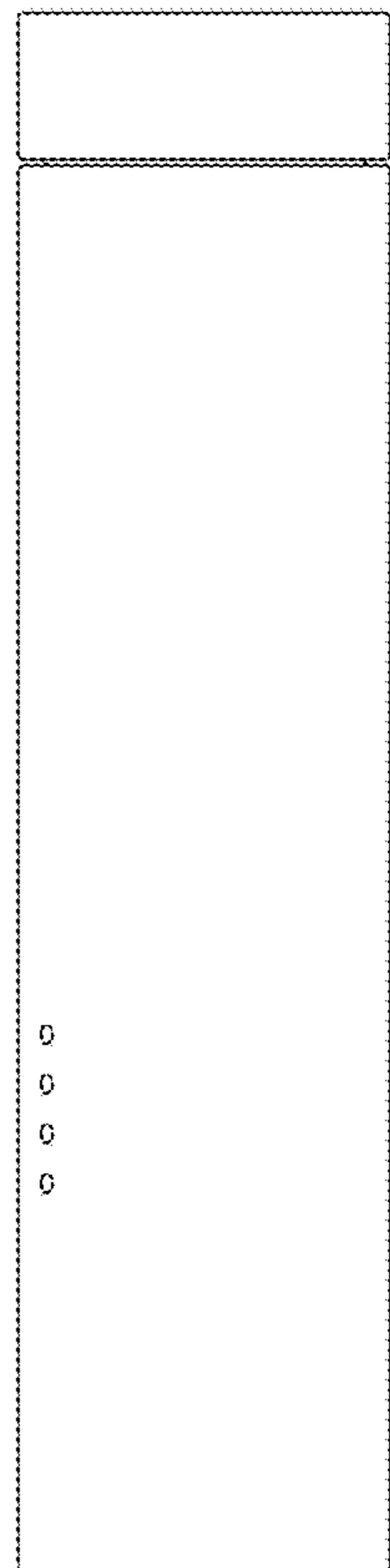


FIG. 6

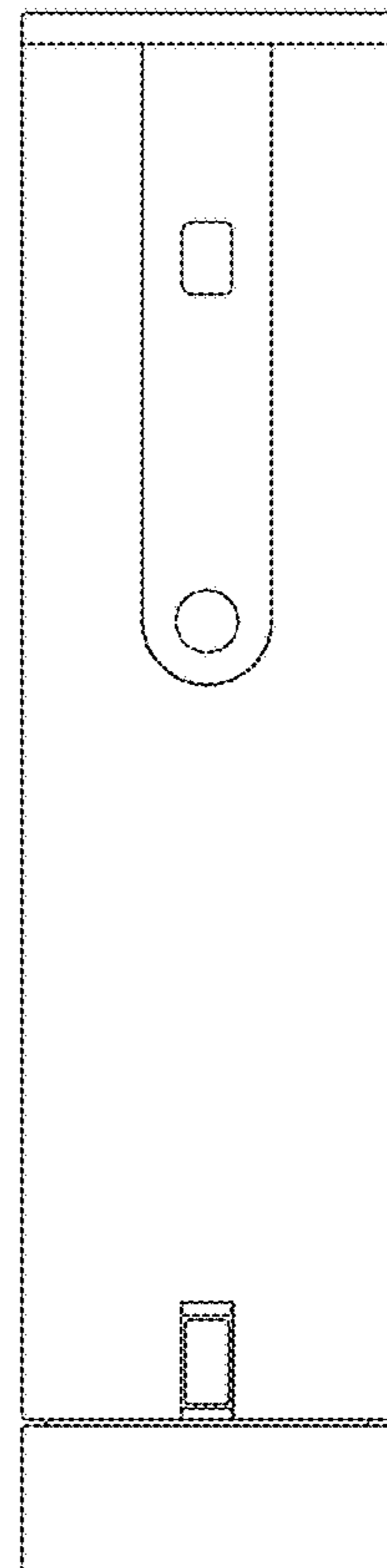


FIG. 7

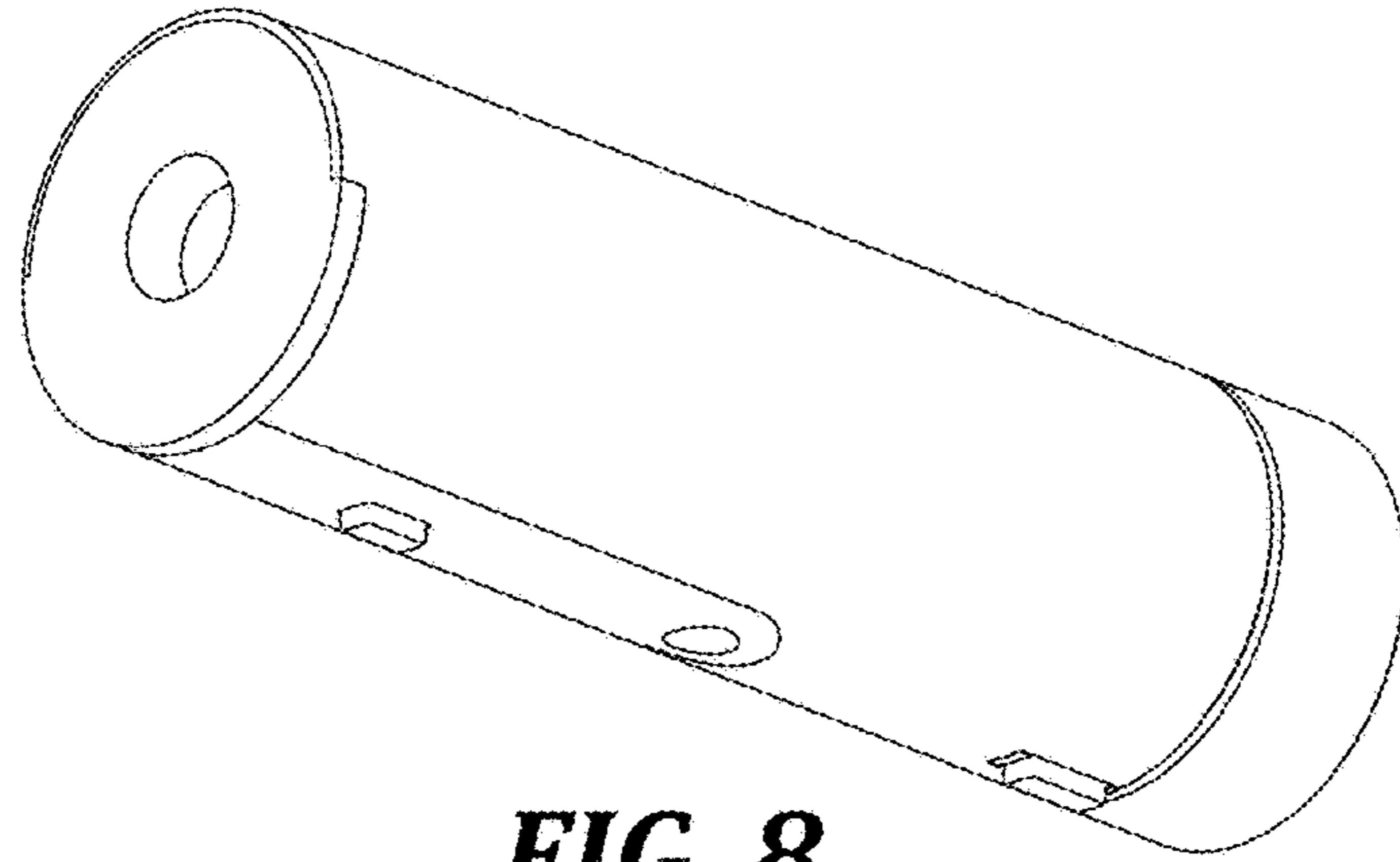


FIG. 8

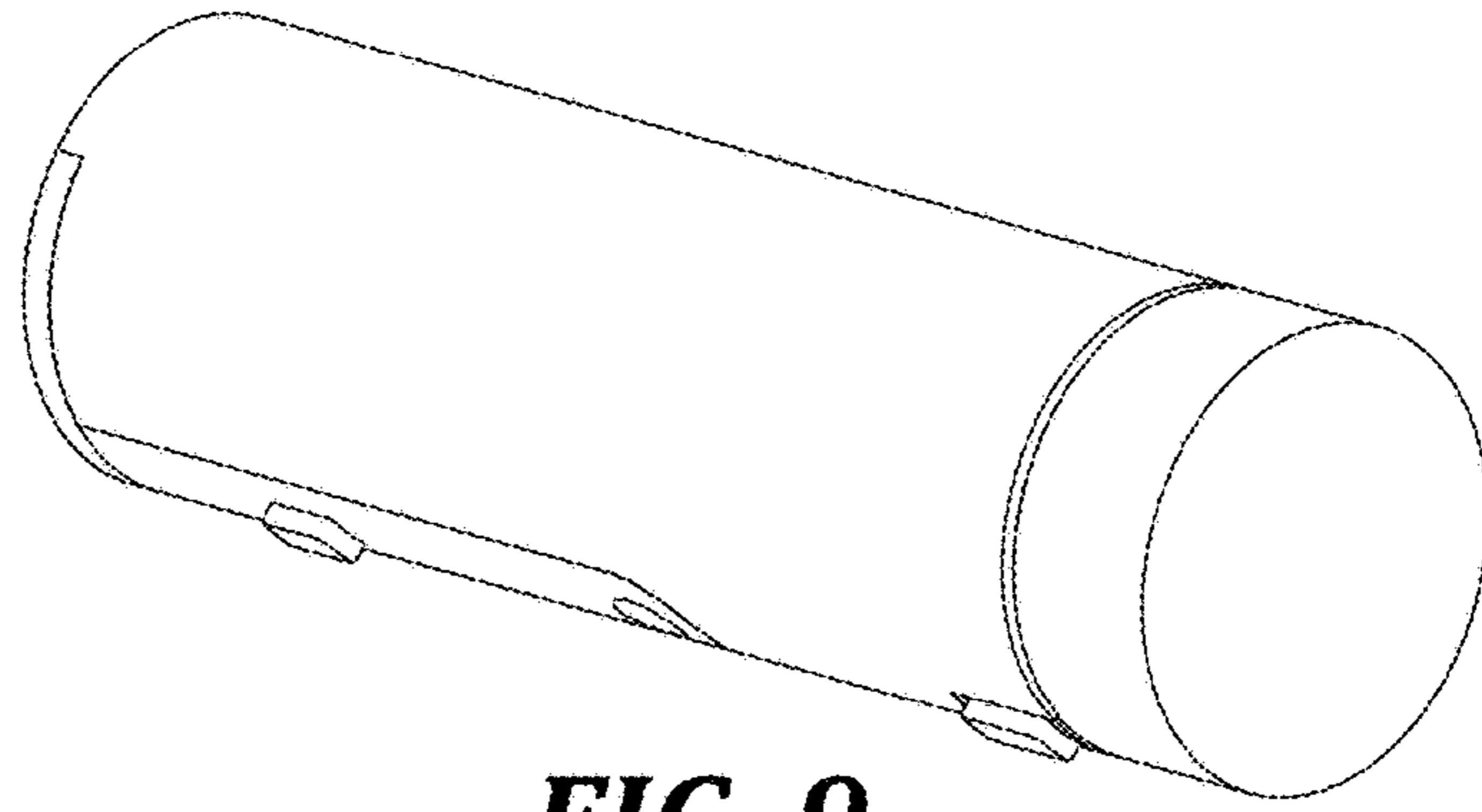


FIG. 9

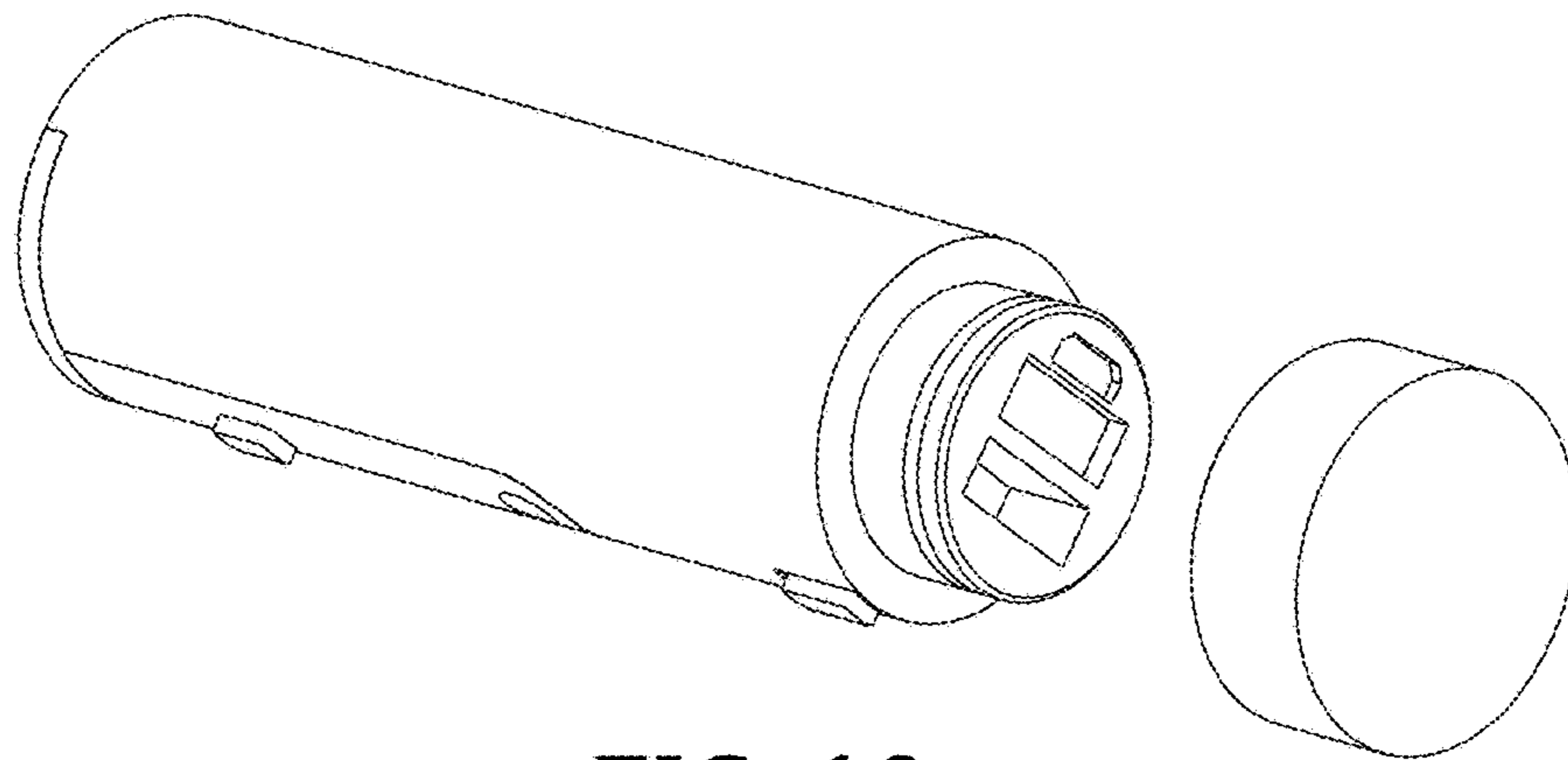


FIG. 10

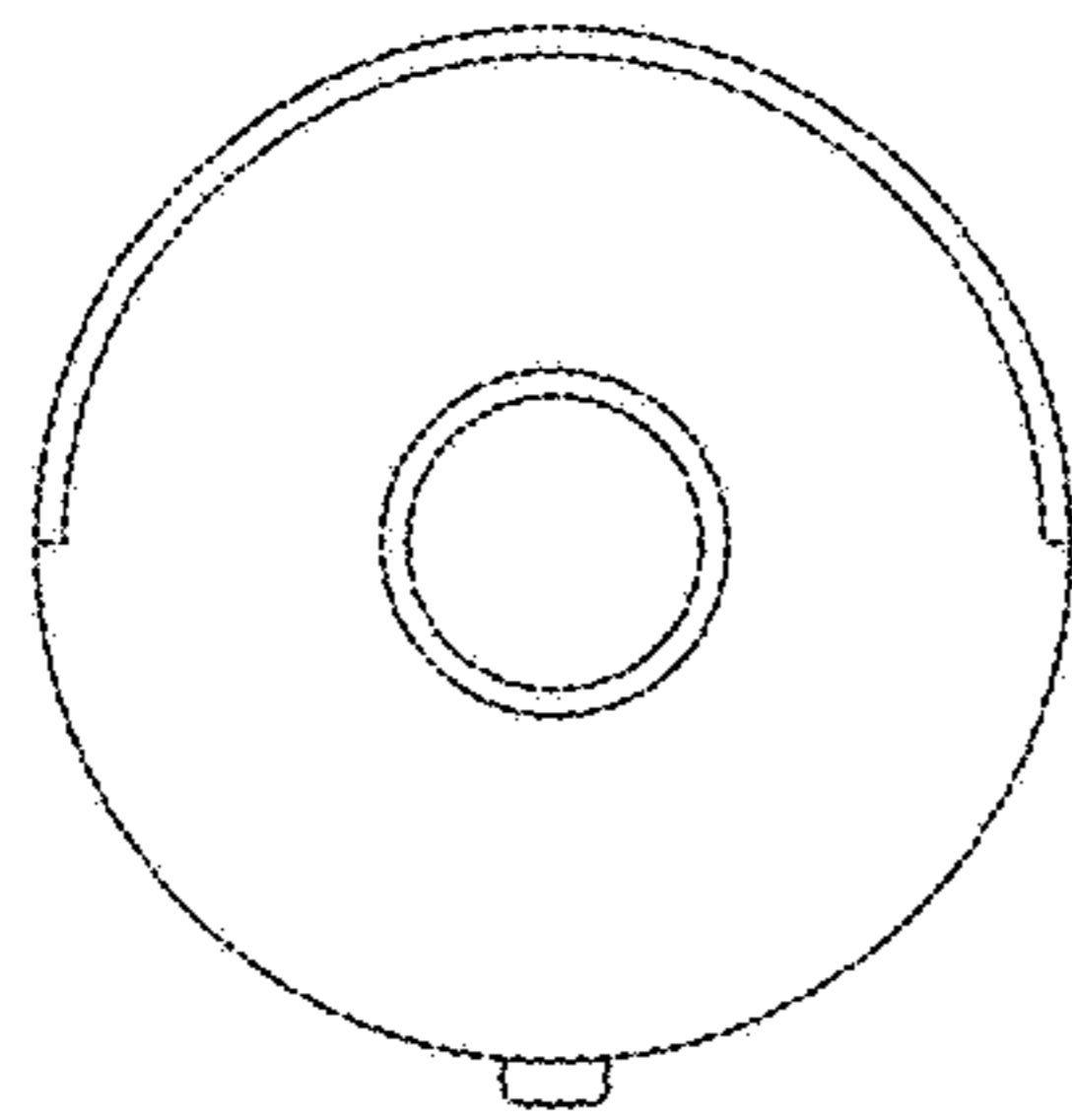


FIG. 11

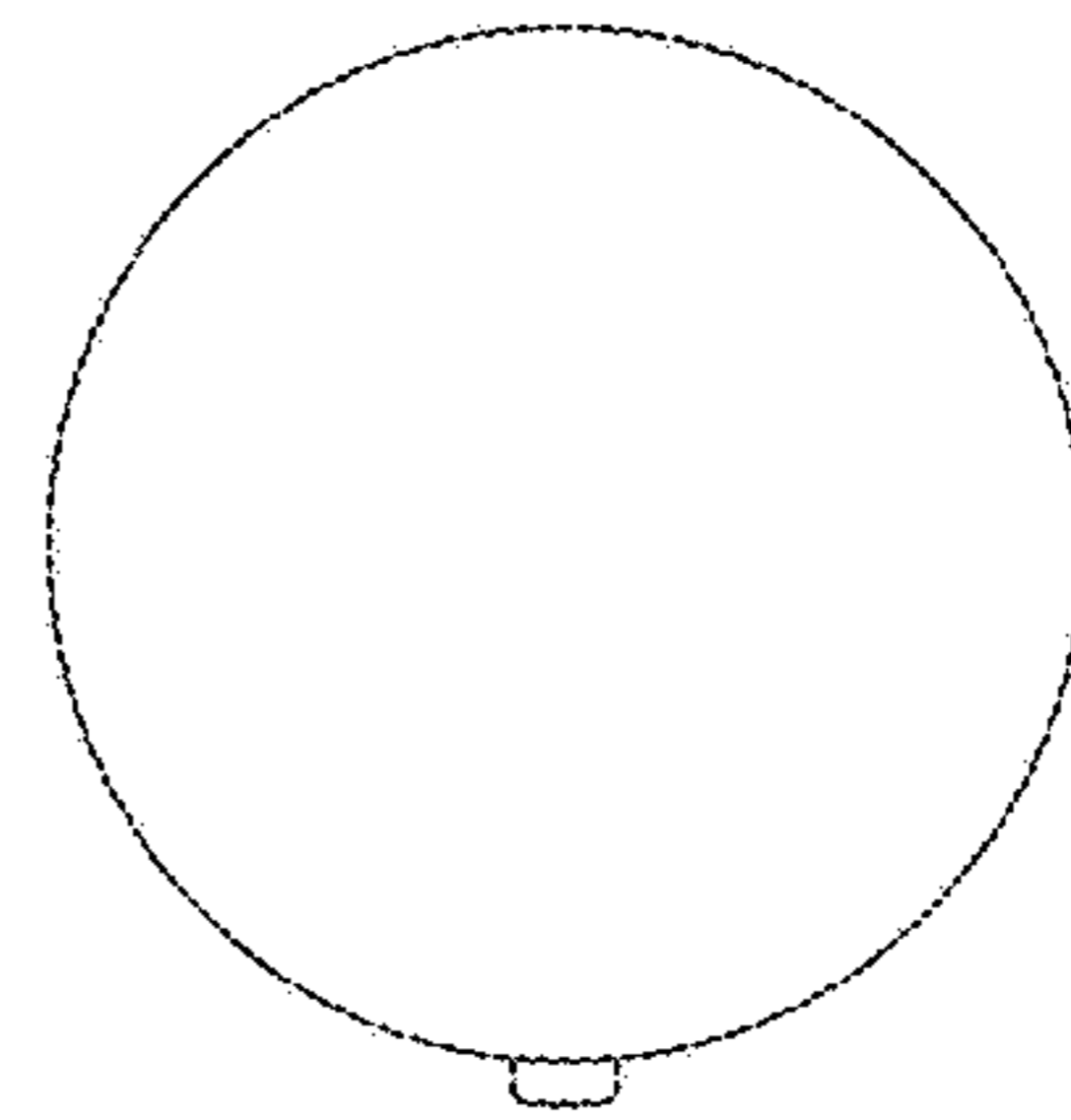


FIG. 12

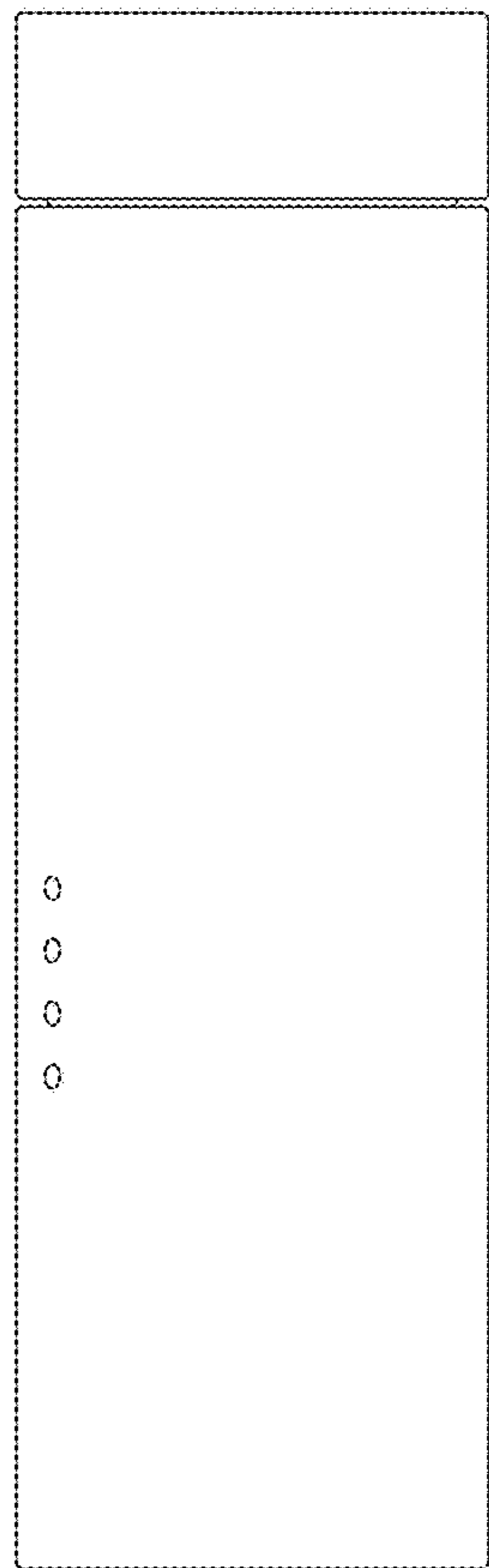


FIG. 13

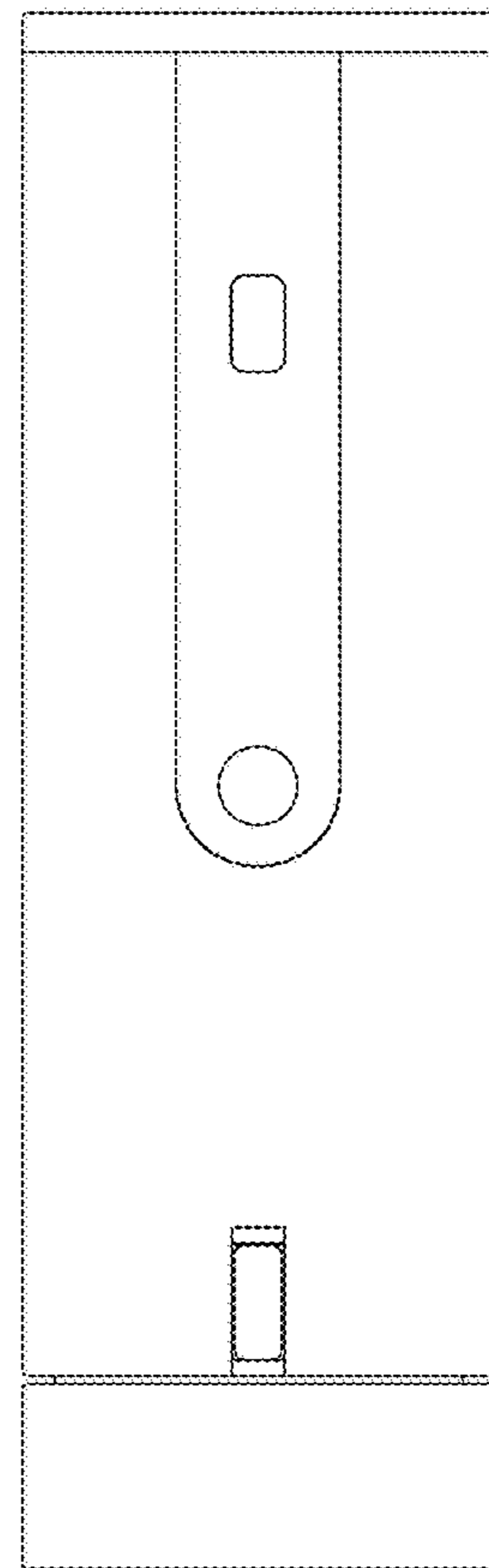


FIG. 14