

US00D842514S

(12) **United States Design Patent** (10) **Patent No.:** **US D842,514 S**
Wu (45) **Date of Patent:** **** Mar. 5, 2019**

- (54) **OUTDOOR CAMPING LAMP** D532,134 S * 11/2006 Lo D26/40
- (71) Applicant: **WENZHOU SORBO TECHNOLOGY CO., LTD.,** D537,967 S * 3/2007 Lo D26/40
Wenzhou, Zhejiang (CN) D605,321 S * 12/2009 Schupp D26/40
- (72) Inventor: **Jianjun Wu, Zhejiang (CN)** D605,798 S * 12/2009 Kim D26/49
- (73) Assignee: **WENZHOU SORBO TECHNOLOGY CO., LTD.,** D605,799 S * 12/2009 Kim D26/49
Wenzhou, Zhejiang (CN) D608,036 S * 1/2010 Lee D26/40

(**) Term: **15 Years**

* cited by examiner

(21) Appl. No.: **29/607,731**

Primary Examiner — Laikya G Rogers

(22) Filed: **Jun. 15, 2017**

Assistant Examiner — Carissa C Fitts

(30) **Foreign Application Priority Data**

(74) *Attorney, Agent, or Firm* — Christensen, Fonder, Dardi & Herbert PLLC

Dec. 29, 2016 (CN) 2016 3 0656538

(51) **LOC (11) Cl.** **26-02**

(52) **U.S. Cl.**
USPC **D26/41**

(58) **Field of Classification Search**
USPC D26/37-51

CPC F21L 2003/00; F21L 4/00; F21L 4/005;
F21L 4/02; F21L 4/025; F21L 4/027;
F21L 4/04; F21L 4/08; F21L 2005/00;
F21L 7/00; F21L 11/00; F21L 13/00;
F21L 13/04; F21L 13/08; F21L 14/02;
F21L 17/00; F21L 19/00; F21L 25/00

See application file for complete search history.

(56) **References Cited**

U.S. PATENT DOCUMENTS

- D515,717 S * 2/2006 Cormier D26/37
- D521,669 S * 5/2006 Krieger D26/40

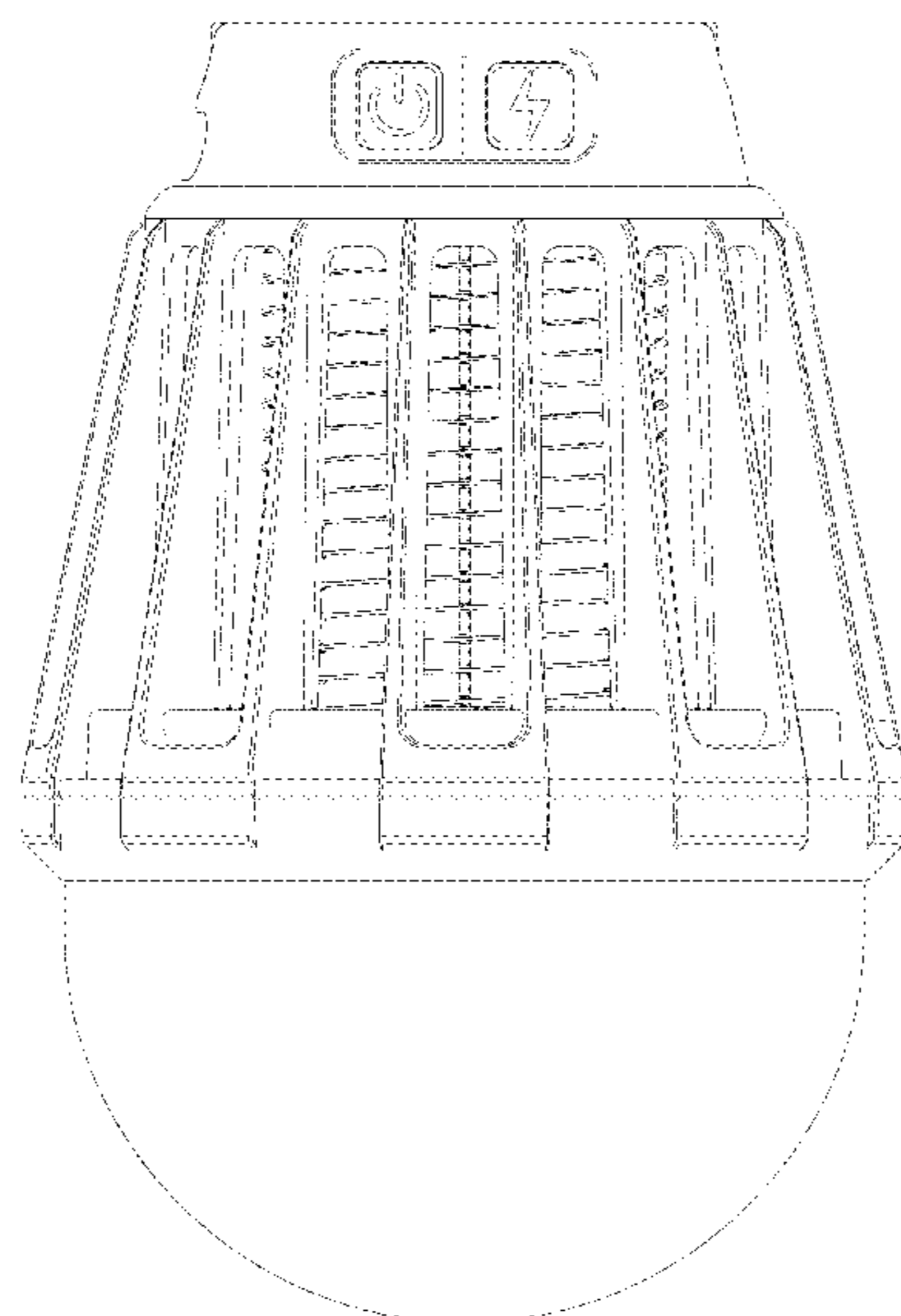
(57) **CLAIM**

I claim the ornamental design for outdoor camping lamp, as shown and described.

DESCRIPTION

FIG. 1 is a front view of the outdoor camping lamp. FIG. 2 is a rear view of the outdoor camping lamp. FIG. 3 is a left view of the outdoor camping lamp. FIG. 4 is a right view of the outdoor camping lamp. FIG. 5 is a top view of the outdoor camping lamp. FIG. 6 is a bottom view of the outdoor camping lamp; and, FIG. 7 is a front view of the outdoor camping lamp, with a hanging hook extending from a top portion of the lamp. The broken lines illustrated in the figures represent unclaimed portions of the lamp, and form no part of the claimed design.

1 Claim, 7 Drawing Sheets



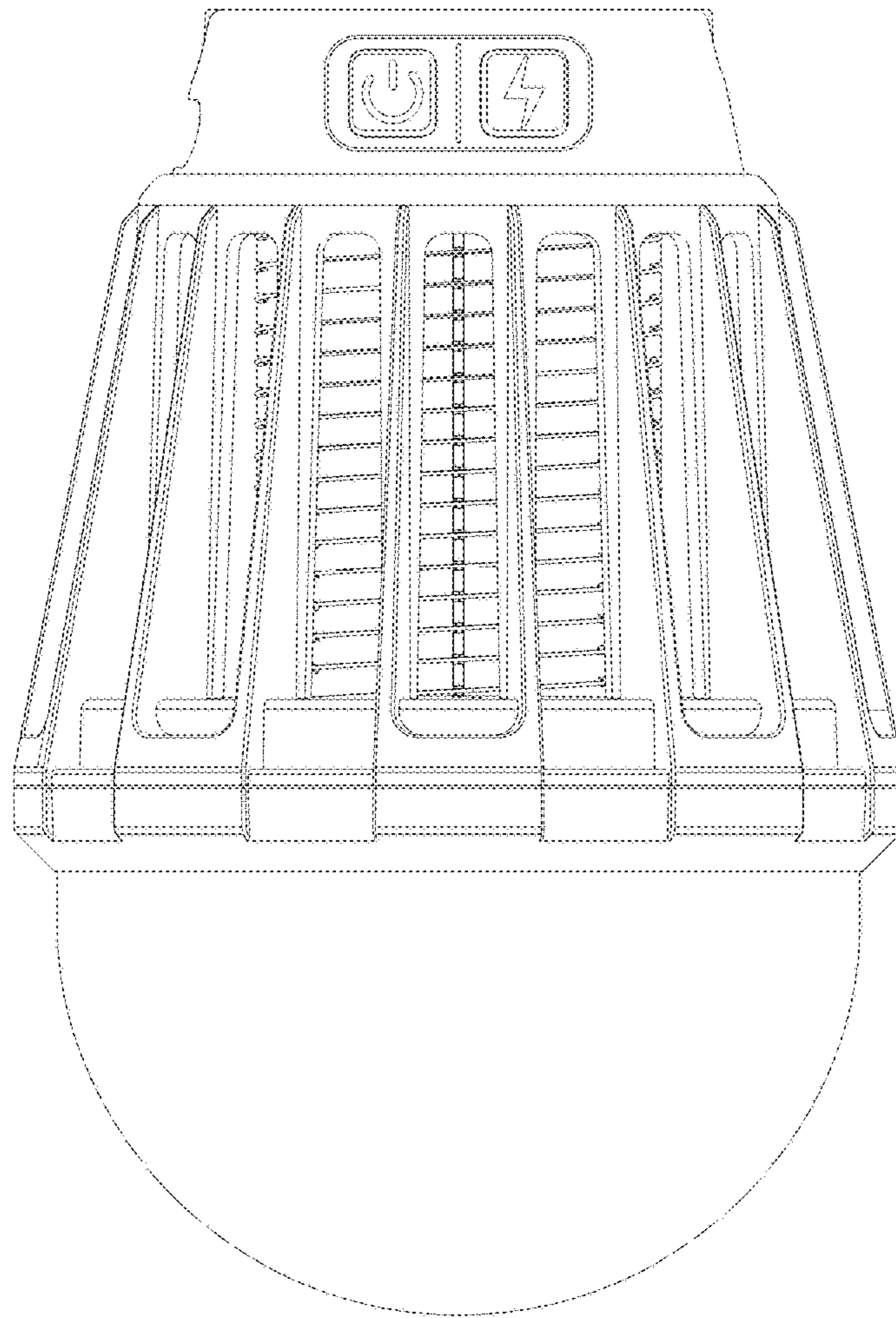


FIG 1

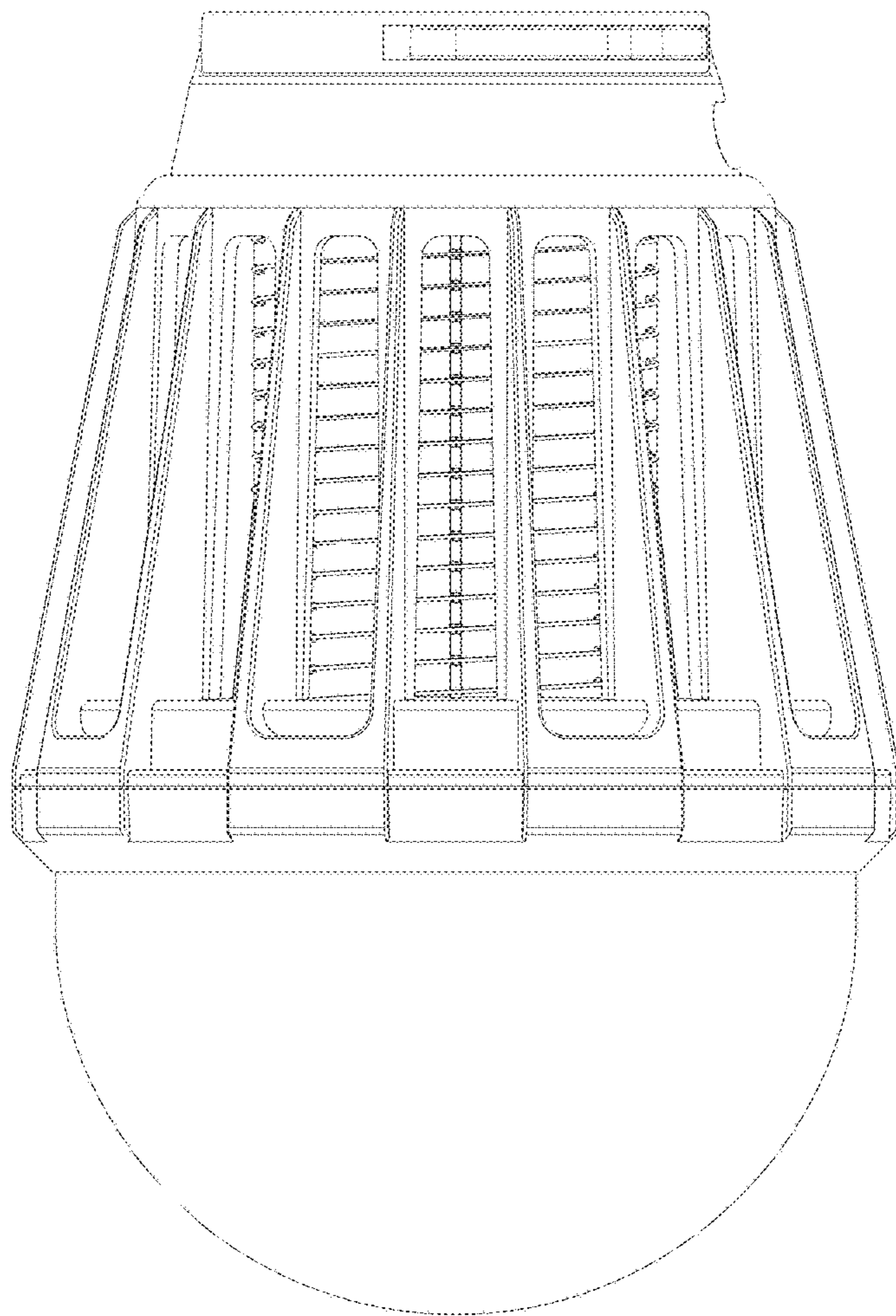


FIG. 2

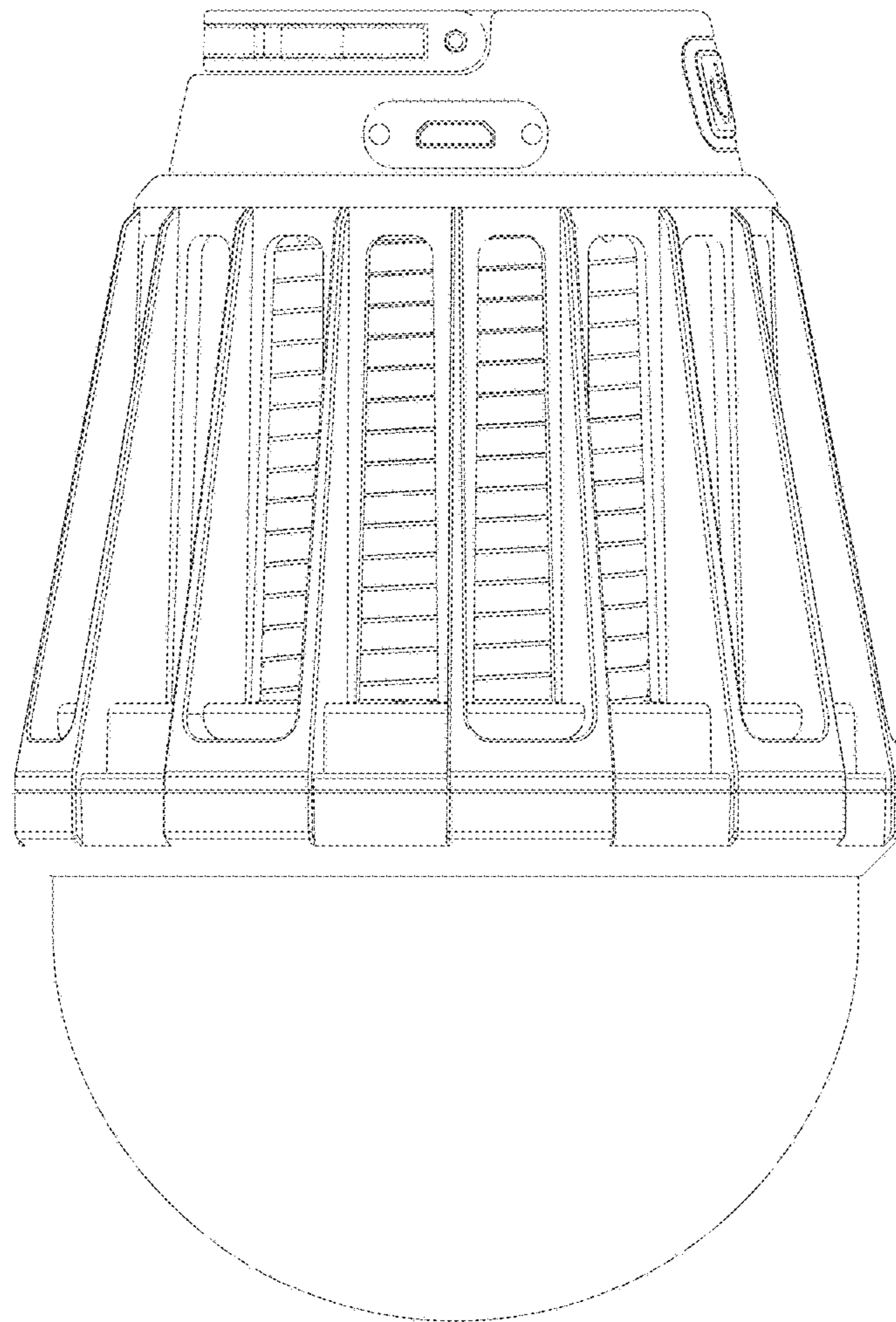


FIG. 3

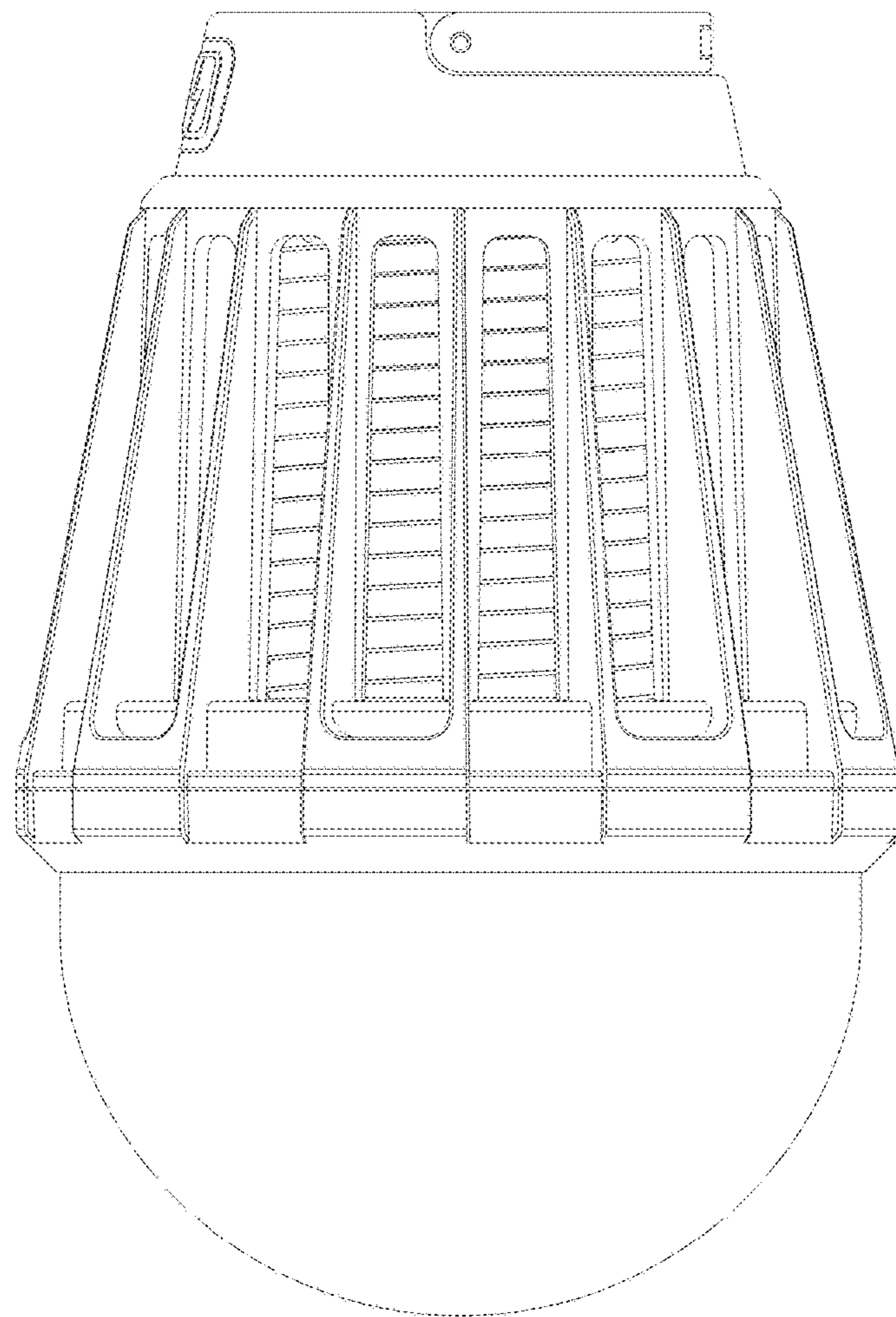


FIG. 4

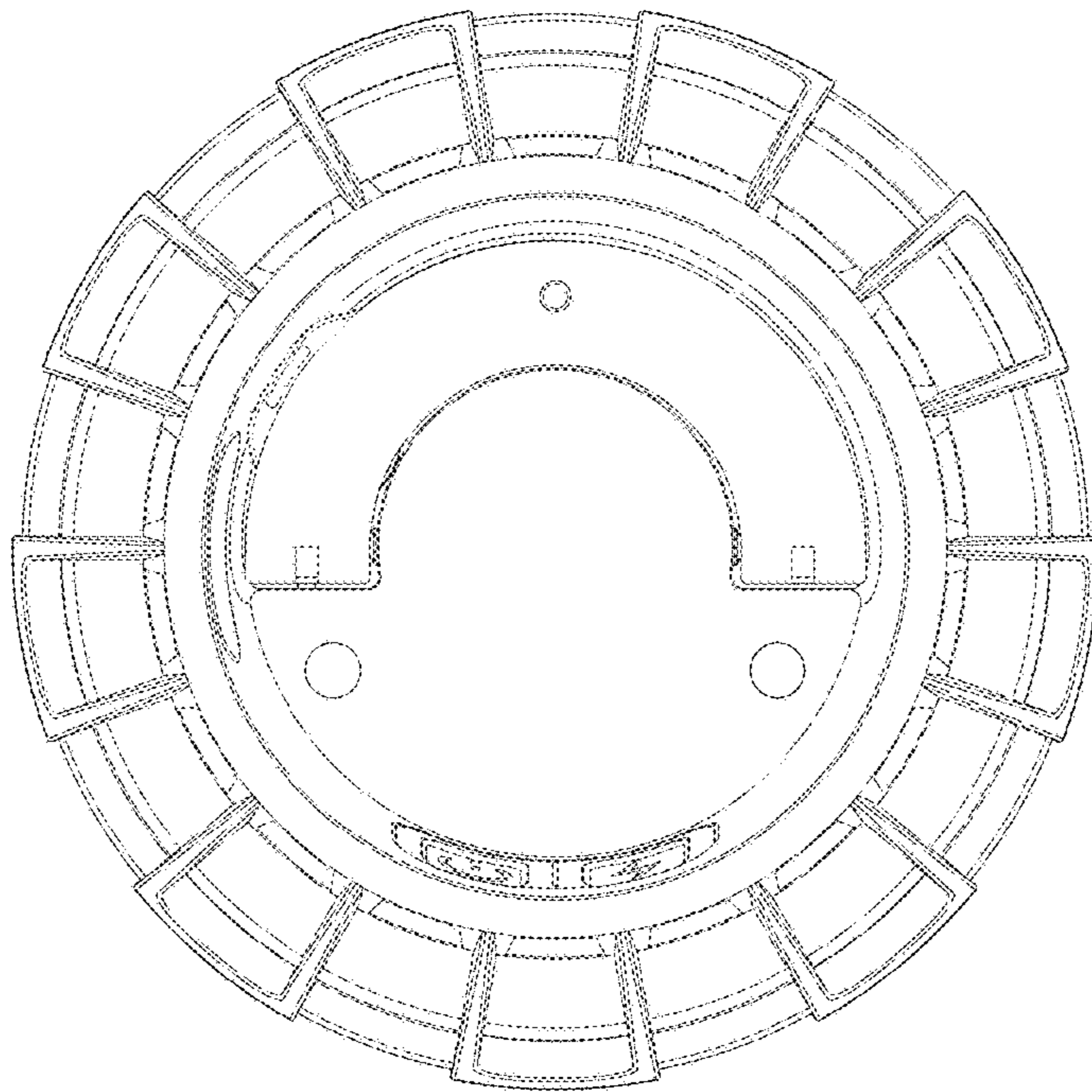


FIG. 5

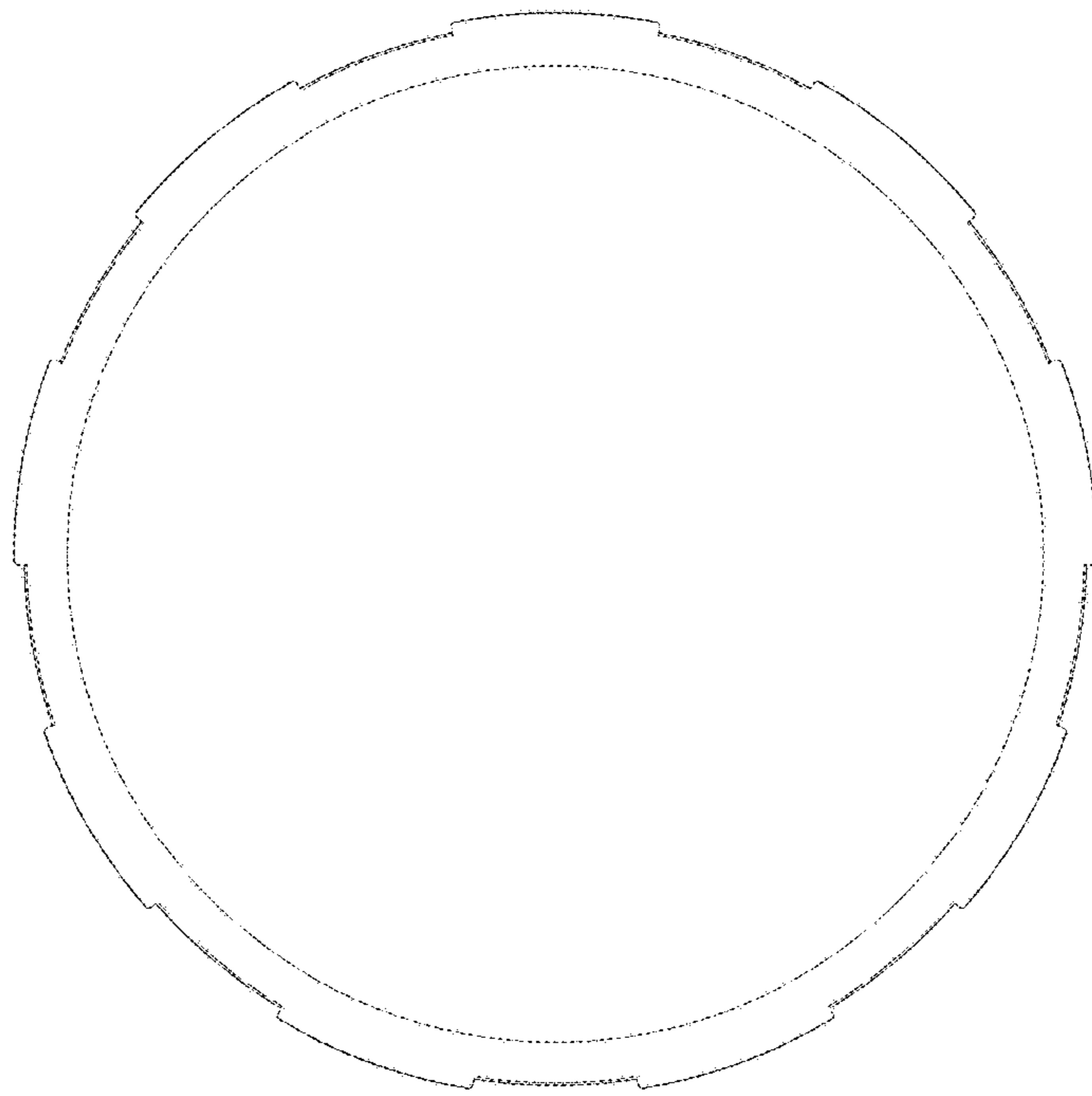


FIG. 6

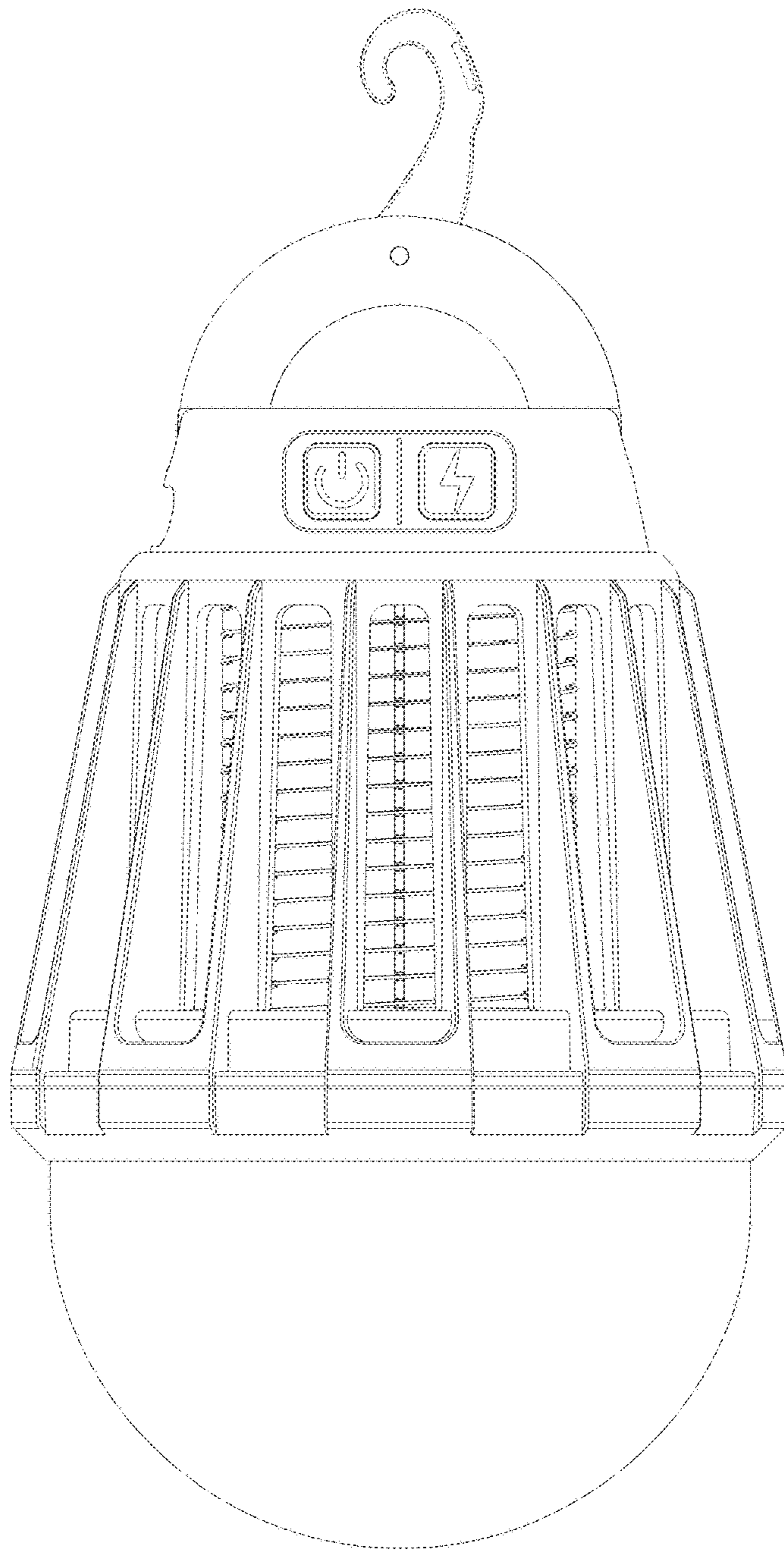


FIG. 7